

US00D497063S1

(12) **United States Design Patent**
Dardashti

(10) **Patent No.:** **US D497,063 S**
(45) **Date of Patent:** **** Oct. 12, 2004**

(54) **STACKABLE SHELVING SYSTEM**

6,148,736 A * 11/2000 Erbs 108/91

(76) **Inventor:** **Shahriar Dardashti**, 14138 Beresford Rd., Beverly Hills, CA (US) 90210

* cited by examiner

Primary Examiner—Cathron Brooks

(**) **Term:** **14 Years**

(74) *Attorney, Agent, or Firm*—Cislo & Thomas LLP

(21) **Appl. No.:** **29/205,251**

(57) **CLAIM**

(22) **Filed:** **May 11, 2004**

I claim the design for a stackable shelving system, as shown and described herein.

(51) **LOC (7) Cl.** **06-04**

DESCRIPTION

(52) **U.S. Cl.** **D6/479**

(58) **Field of Search** D6/630, 477-479;
108/59, 64, 91-93, 107, 144.11, 147.11,
147.12, 147.13, 149, 151; 211/13.1, 42,
43, 49.1, 85.26, 134, 187-190, 153, 207;
312/7.2

FIG. 1 is a top side perspective view of my stackable shelving system;
FIG. 2 is a top plan view thereof;
FIG. 3 is a bottom plan view thereof;
FIG. 4 is a right side plan view thereof;
FIG. 5 is a left side plan view thereof; and,
FIG. 6 is an end plan view thereof the opposite end being a mirror image thereof.

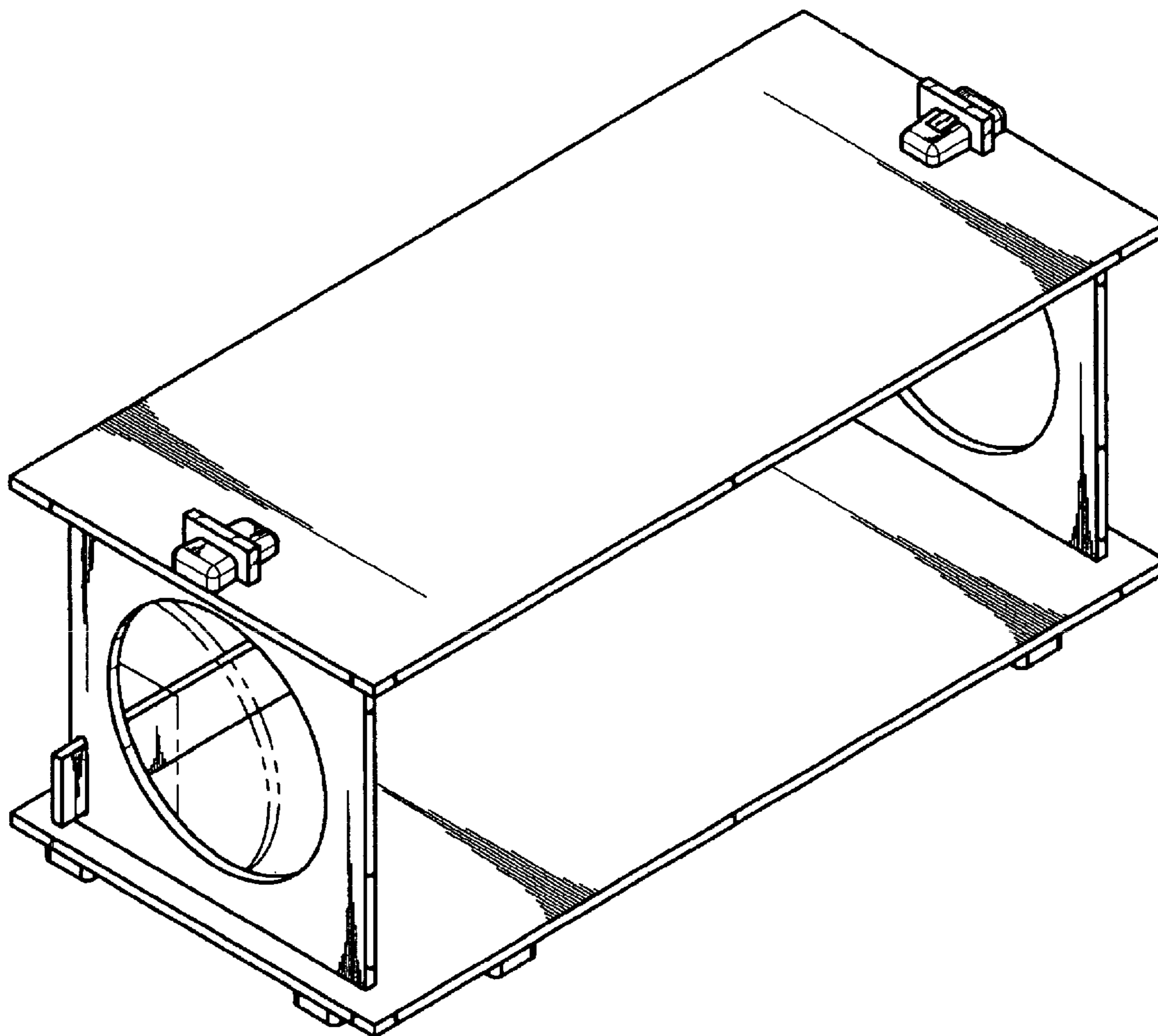
(56) **References Cited**

U.S. PATENT DOCUMENTS

Where used, the broken line portions of the disclosure are for illustrative purposes only and form no part of the claimed design.

- 2,639,037 A * 5/1953 Friend 108/107
- D213,886 S * 4/1969 Jensen D6/448
- 4,181,352 A * 1/1980 Bumpus 108/91
- D326,200 S * 5/1992 Allen et al. D6/479

1 Claim, 4 Drawing Sheets



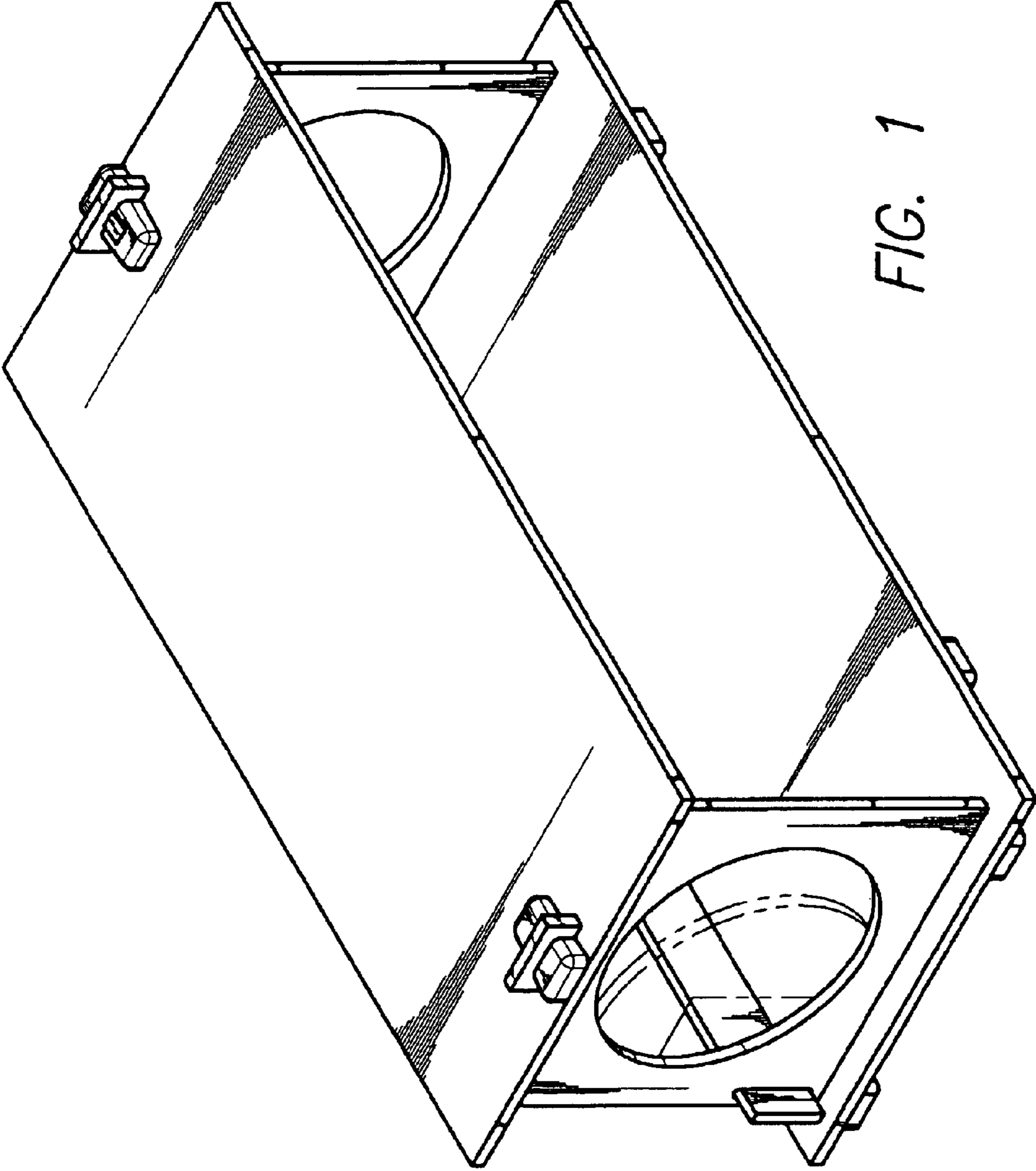


FIG. 1

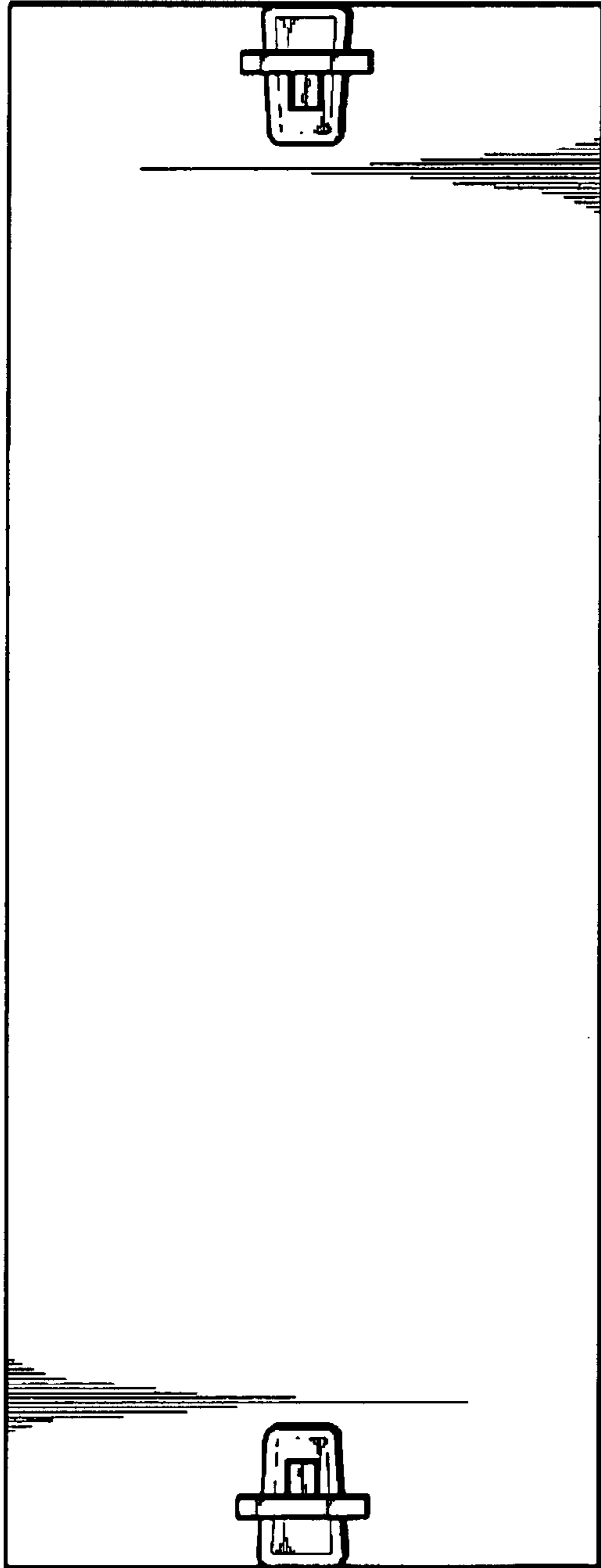


FIG. 2

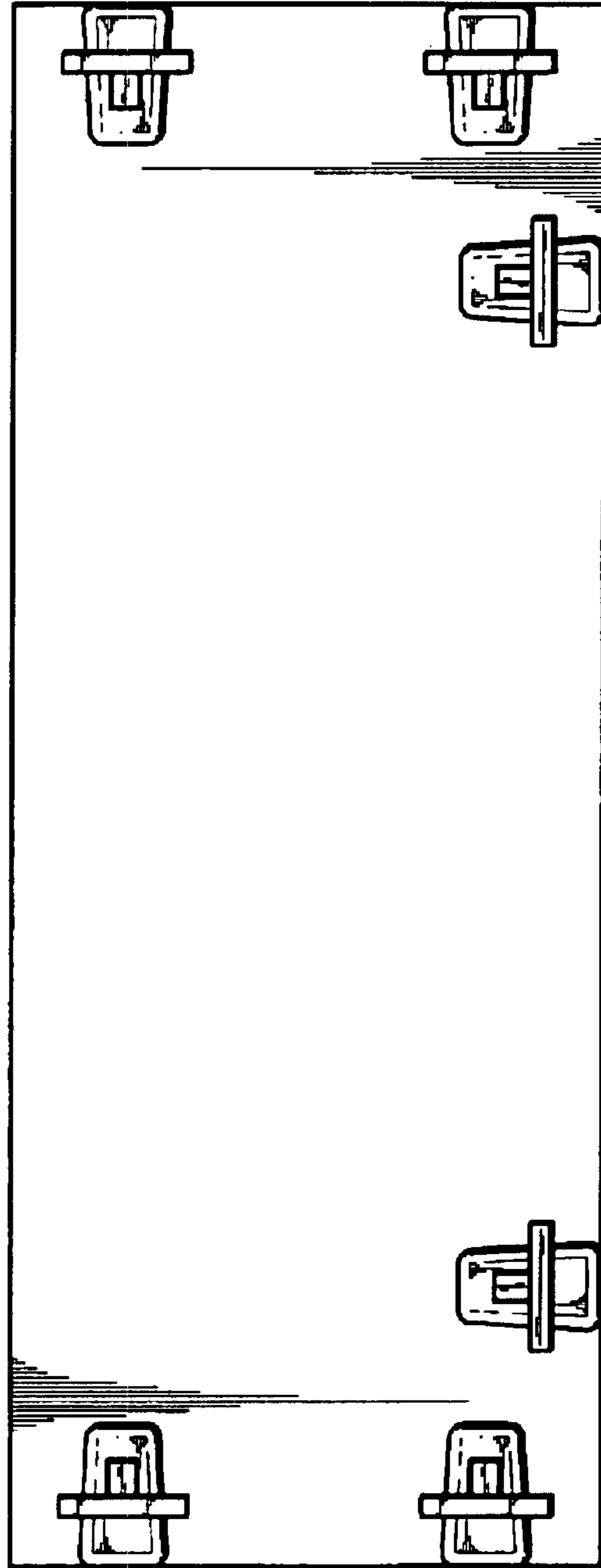


FIG. 3

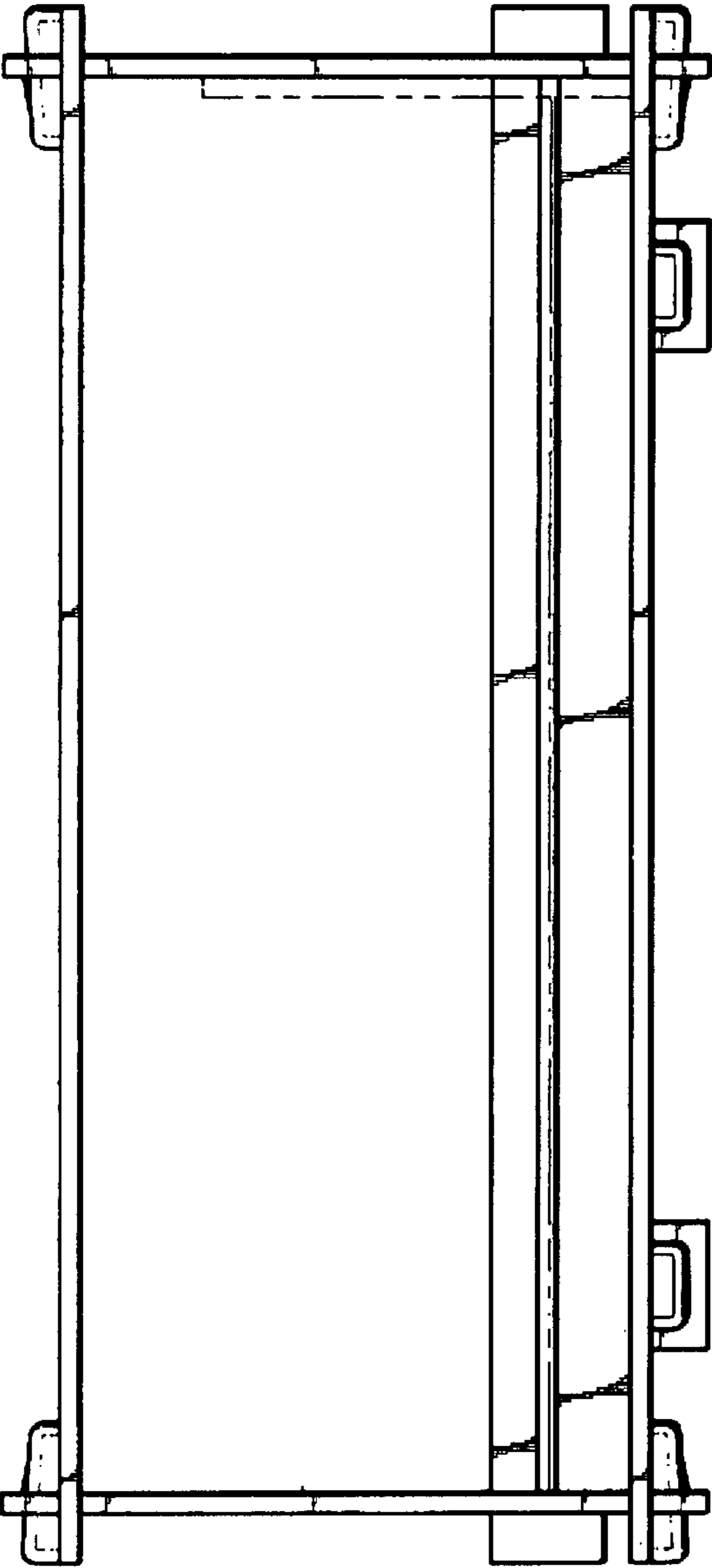


FIG. 4

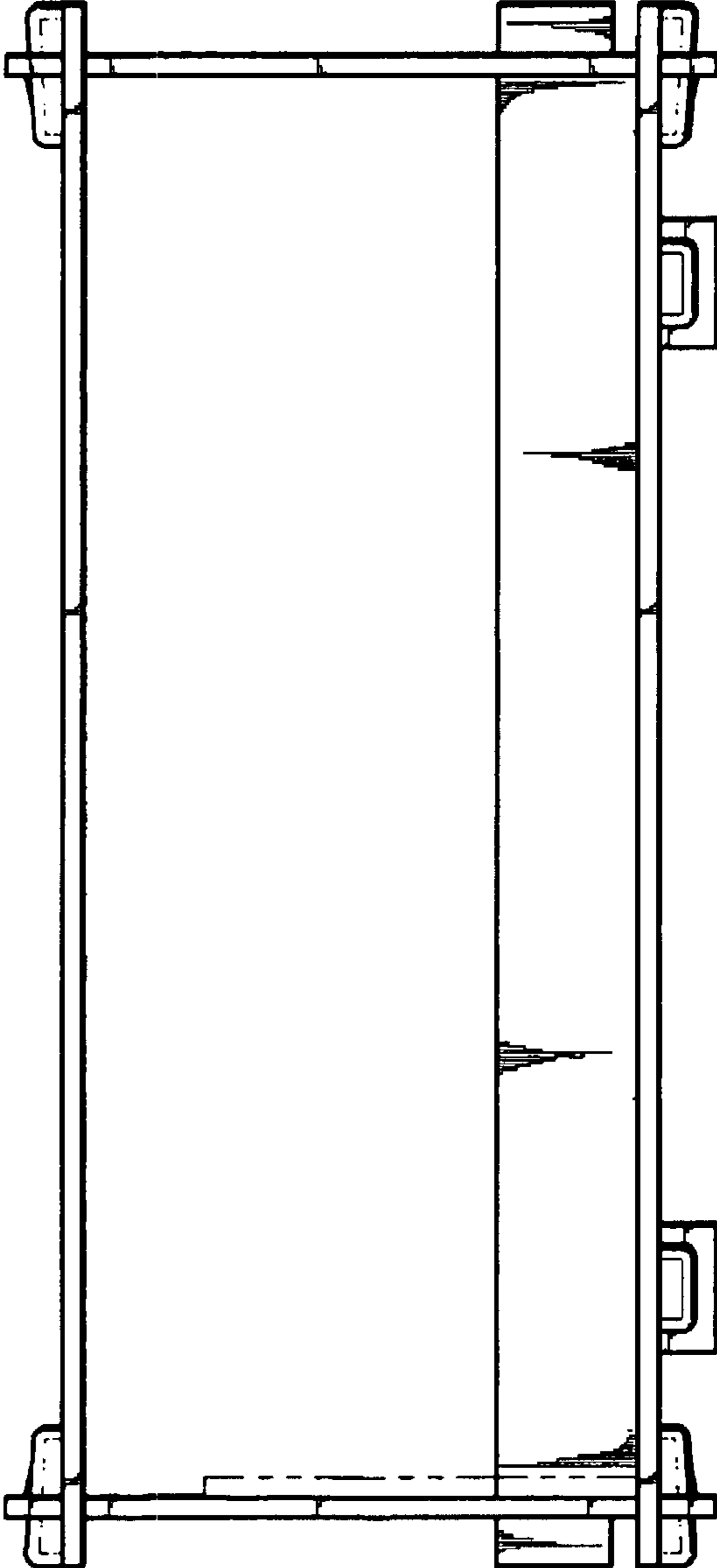


FIG. 5

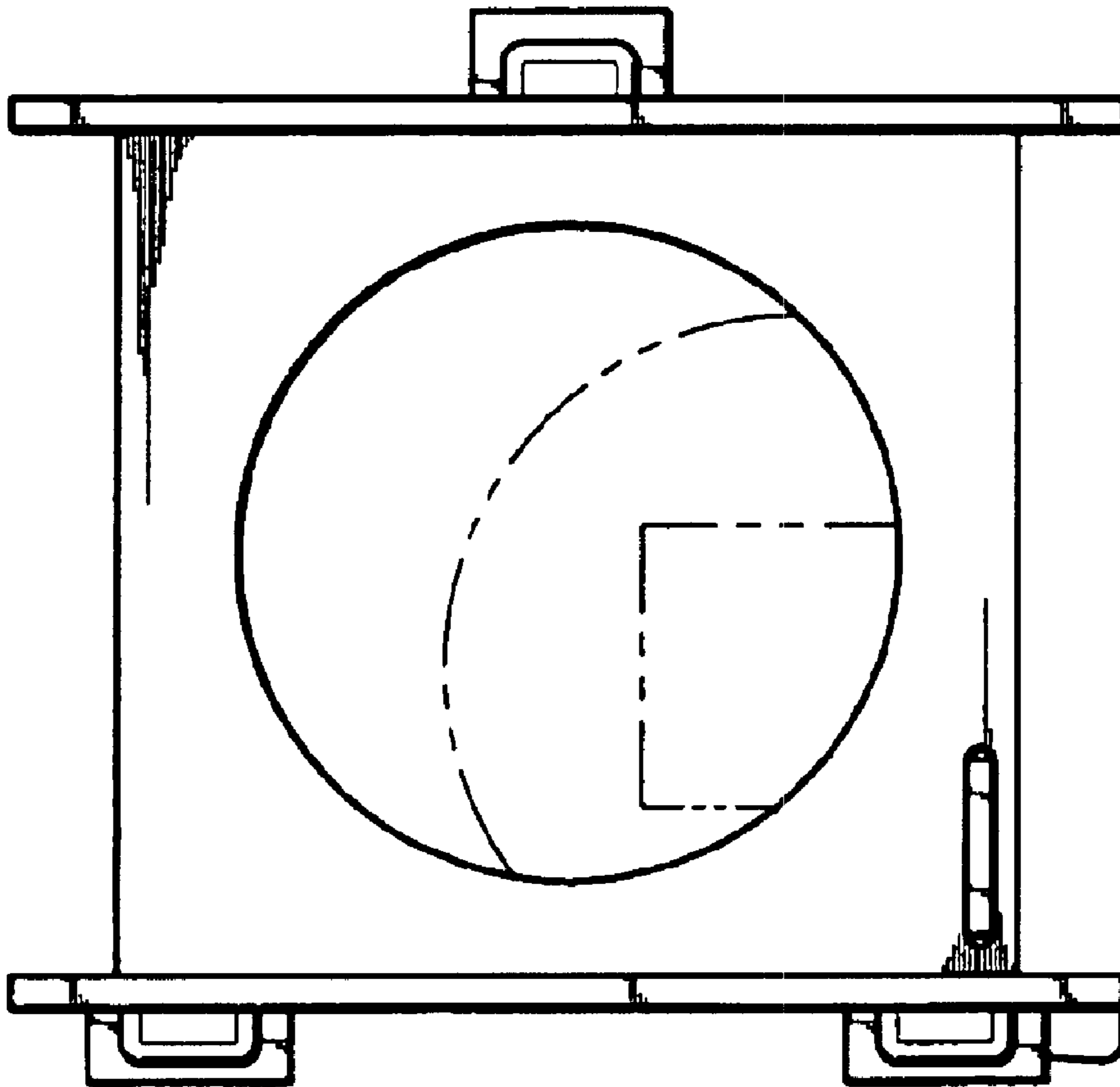


FIG. 6