

US00D497060S1

(12) **United States Design Patent**  
**Chang**

(10) **Patent No.:** **US D497,060 S**

(45) **Date of Patent:** **\*\* Oct. 12, 2004**

(54) **TELEVISION STAND**

(76) **Inventor:** **Chien-Kuo Chang**, P.O. Box 36-80,  
Taichung City (TW)

(\*\*) **Term:** **14 Years**

(21) **Appl. No.:** **29/196,476**

(22) **Filed:** **Dec. 29, 2003**

(51) **LOC (7) Cl.** ..... **06-04**

(52) **U.S. Cl.** ..... **D6/477; D6/479**

(58) **Field of Search** ..... **D6/630, 477-479;**  
108/59, 64, 91-93, 107, 144.11, 147.11,  
147.12, 147.13, 149, 151; 211/13.1, 42,  
43, 49.1, 85.26, 134, 187-190, 153, 207;  
312/7.2

(56) **References Cited**

**U.S. PATENT DOCUMENTS**

D454,731 S \* 3/2002 Niitsu ..... D6/479

D478,746 S \* 8/2003 Sumii ..... D6/477  
2003/0066463 A1 \* 4/2003 Acevedo et al. .... 108/93

\* cited by examiner

*Primary Examiner*—Cathron Brooks

(74) *Attorney, Agent, or Firm*—Charles E. Baxley

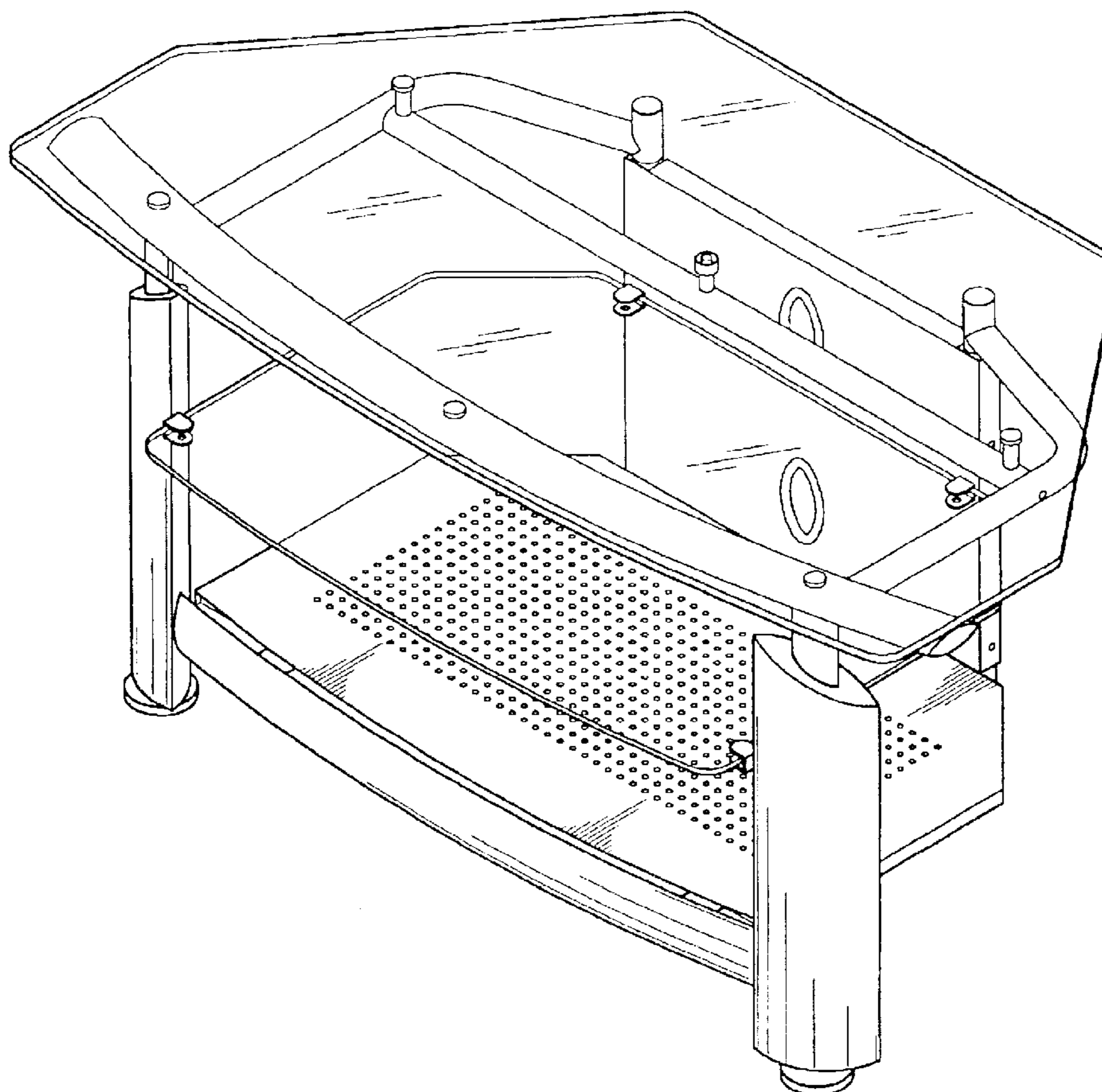
(57) **CLAIM**

The ornamental design for television stand, as shown and described.

**DESCRIPTION**

FIG. 1 is a perspective view of a television stand showing our new design thereof;  
FIG. 2 is a front elevational view thereof;  
FIG. 3 is a rear elevational view thereof;  
FIG. 4 is a left side elevational view thereof;  
FIG. 5 is a right side elevational view thereof;  
FIG. 6 is a top plan view thereof; and,  
FIG. 7 is a bottom plan view thereof.

**1 Claim, 6 Drawing Sheets**



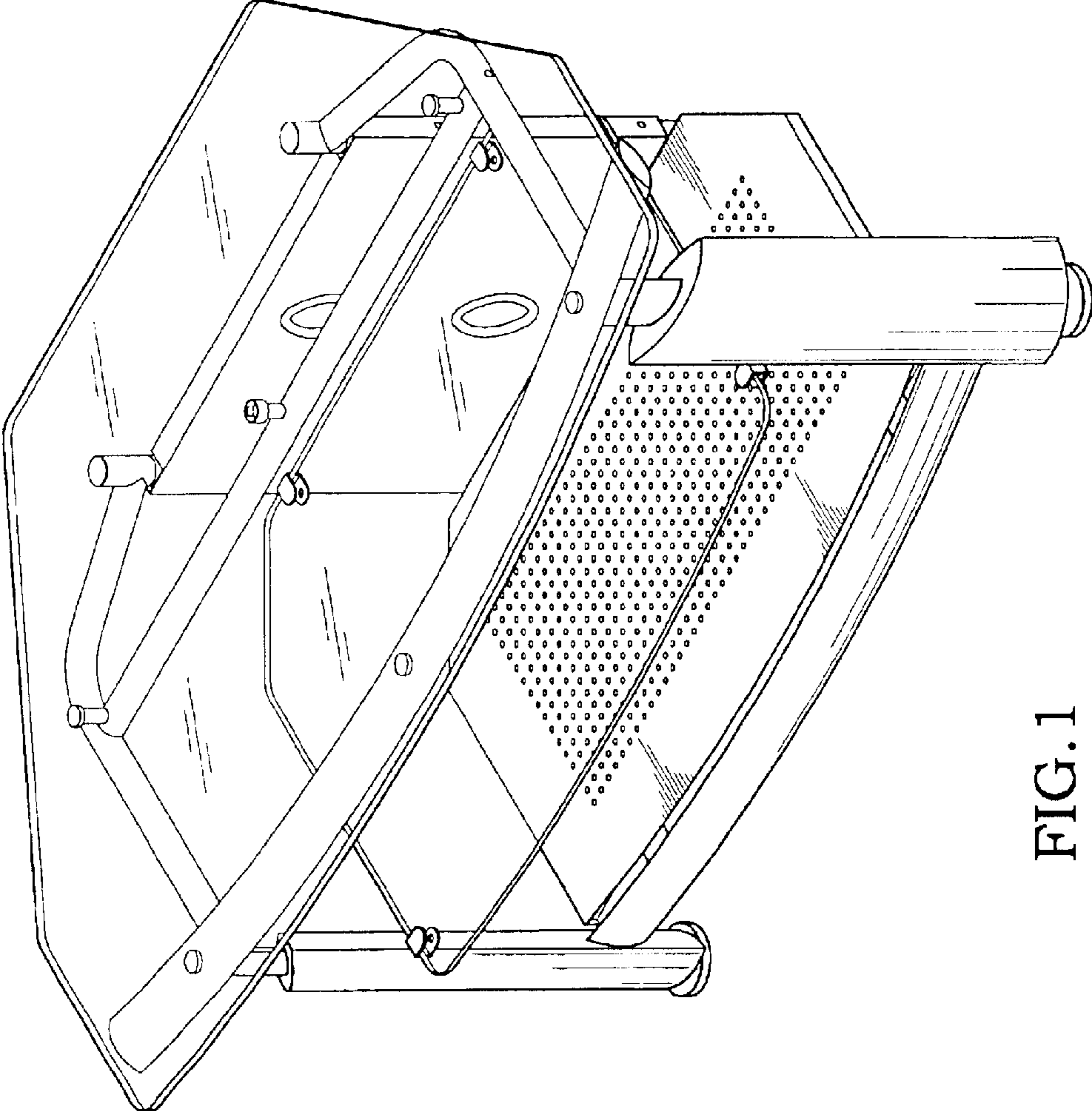


FIG. 1

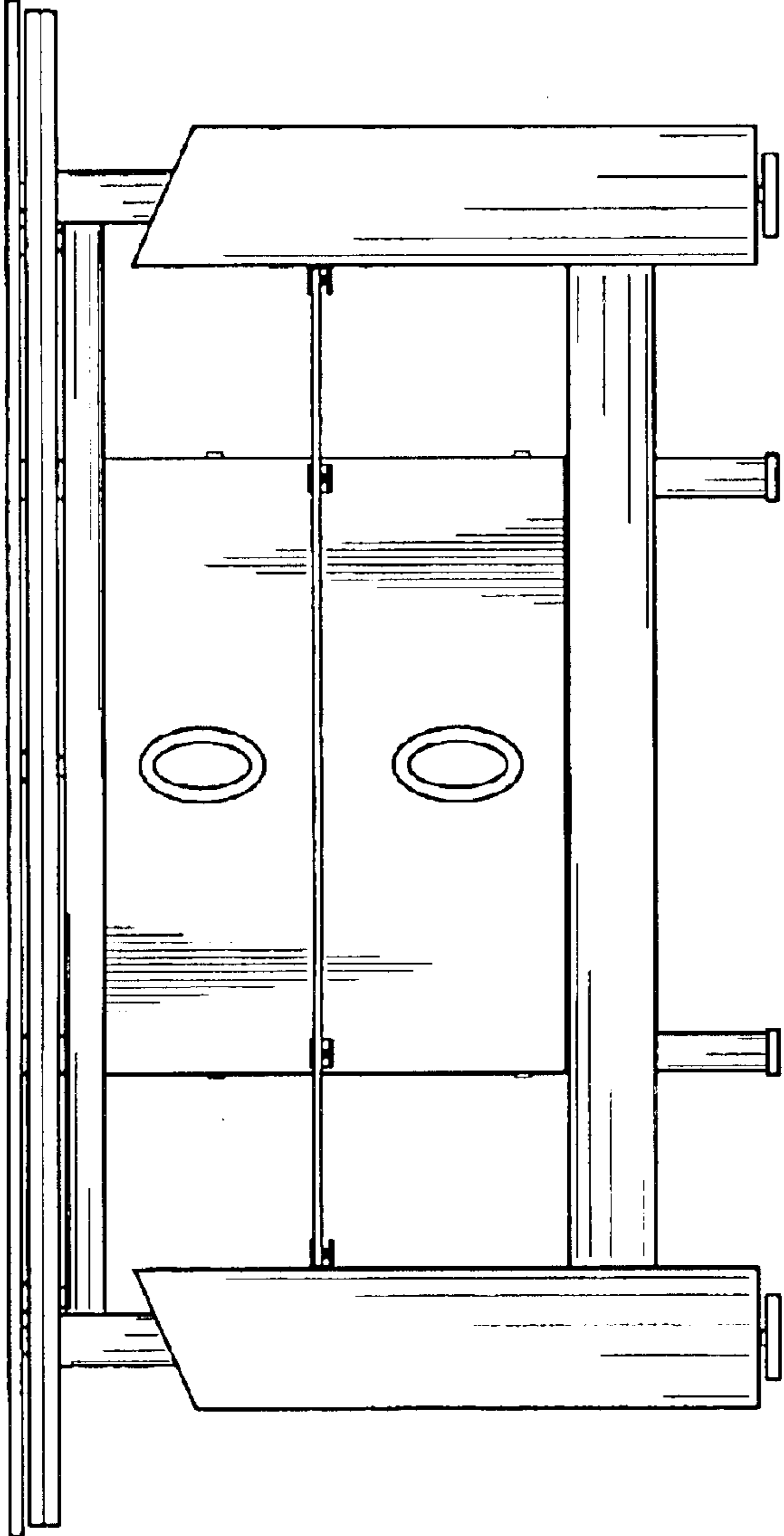


FIG. 2

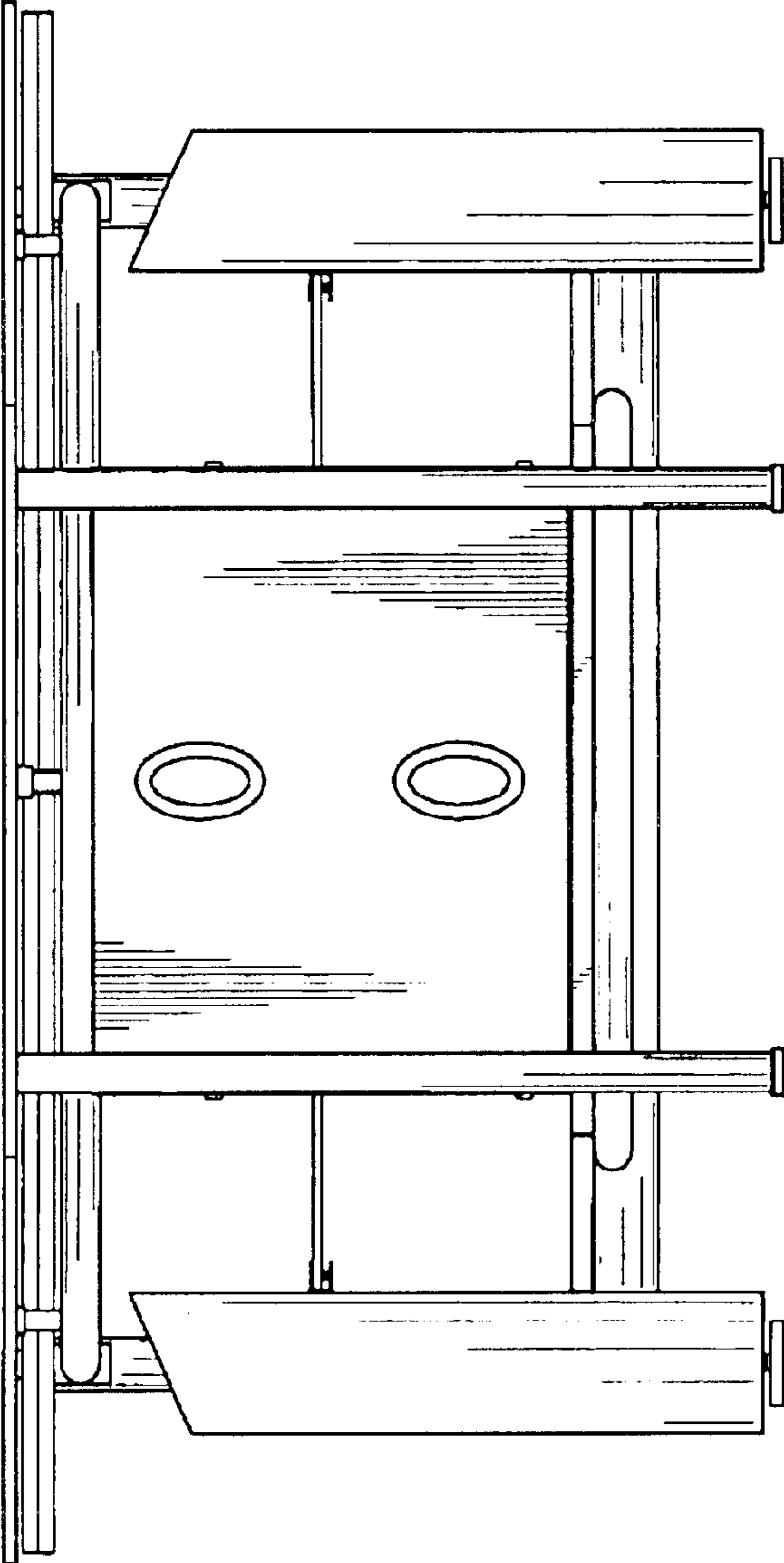


FIG. 3

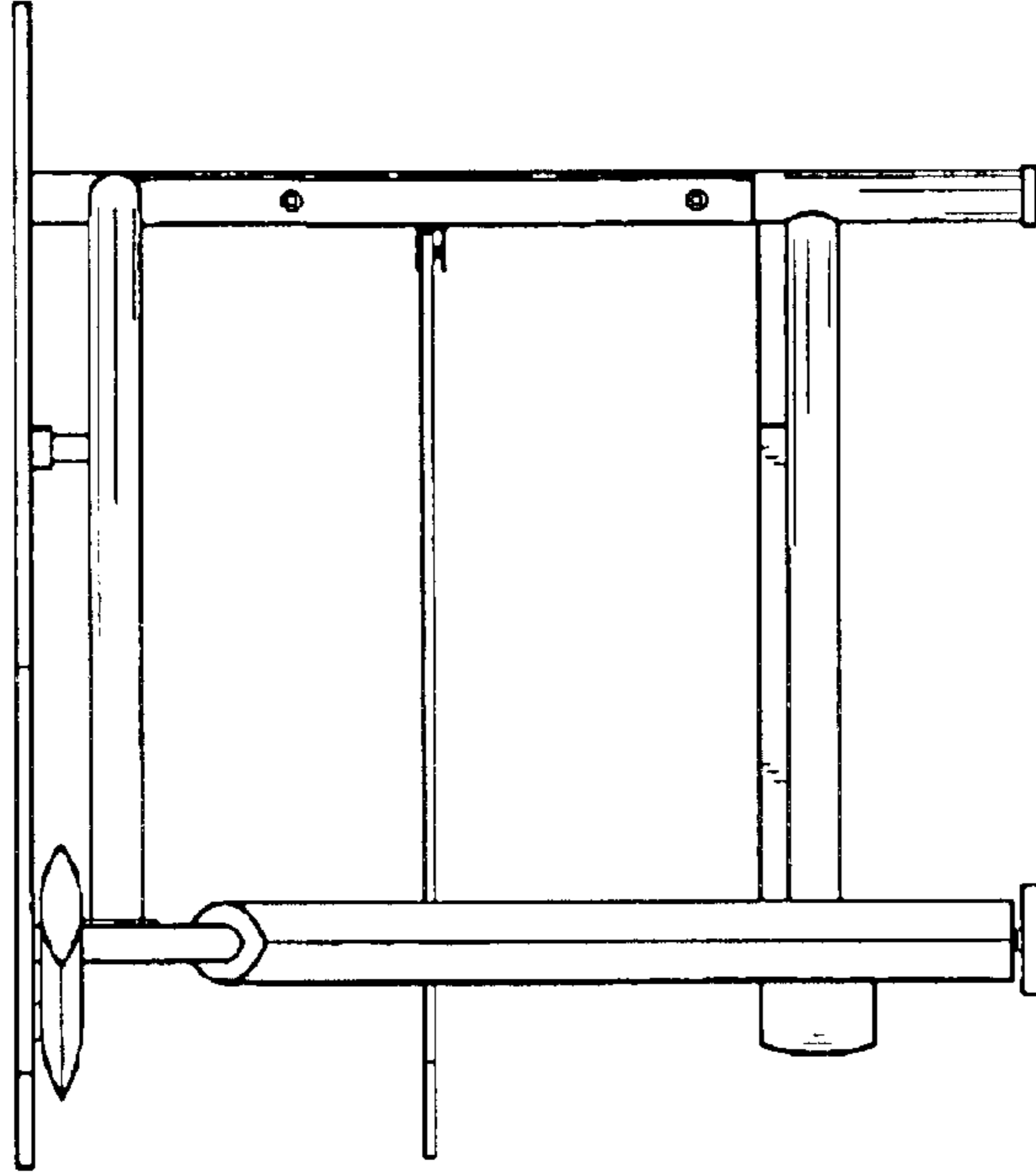


FIG. 5

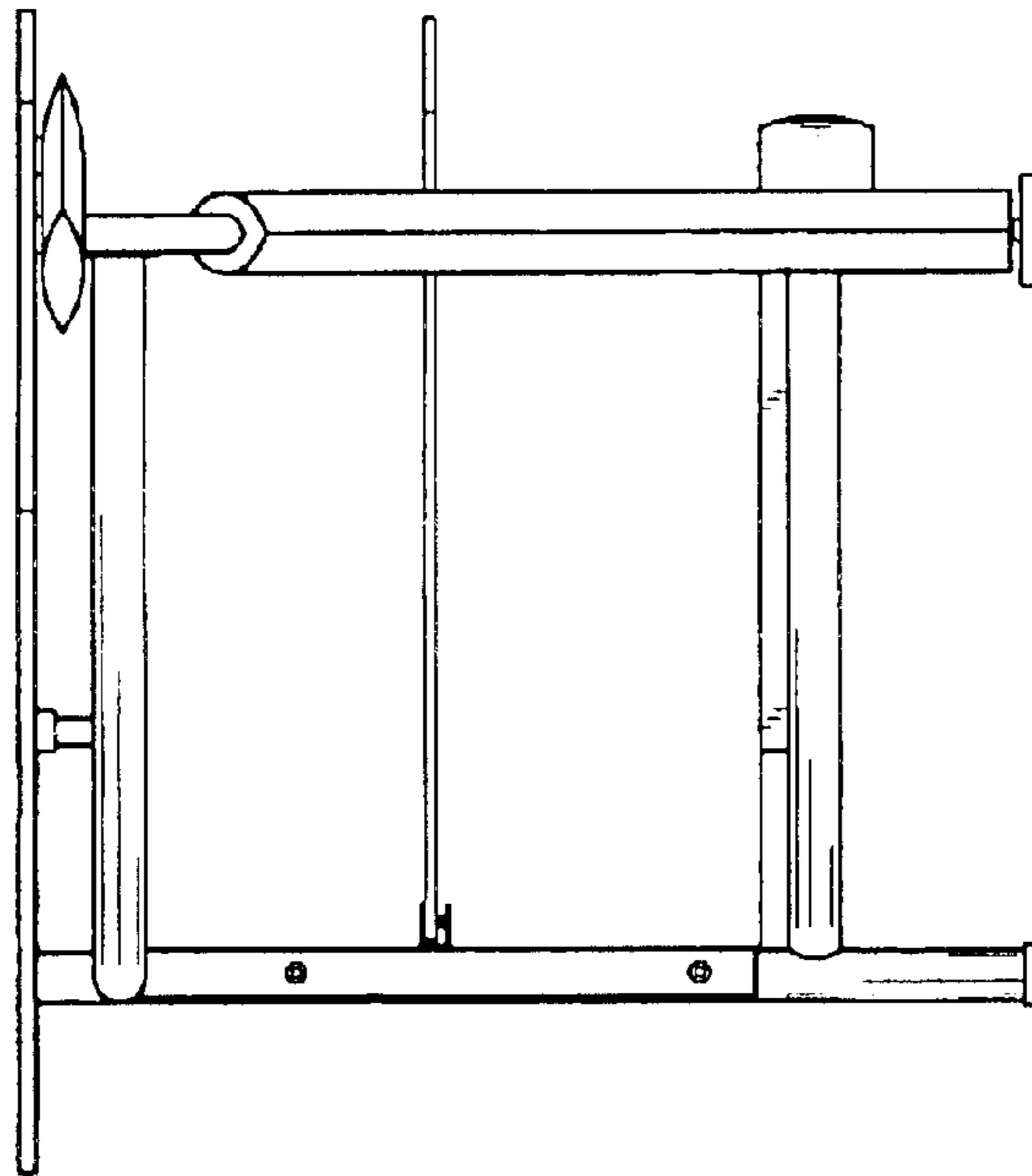


FIG. 4

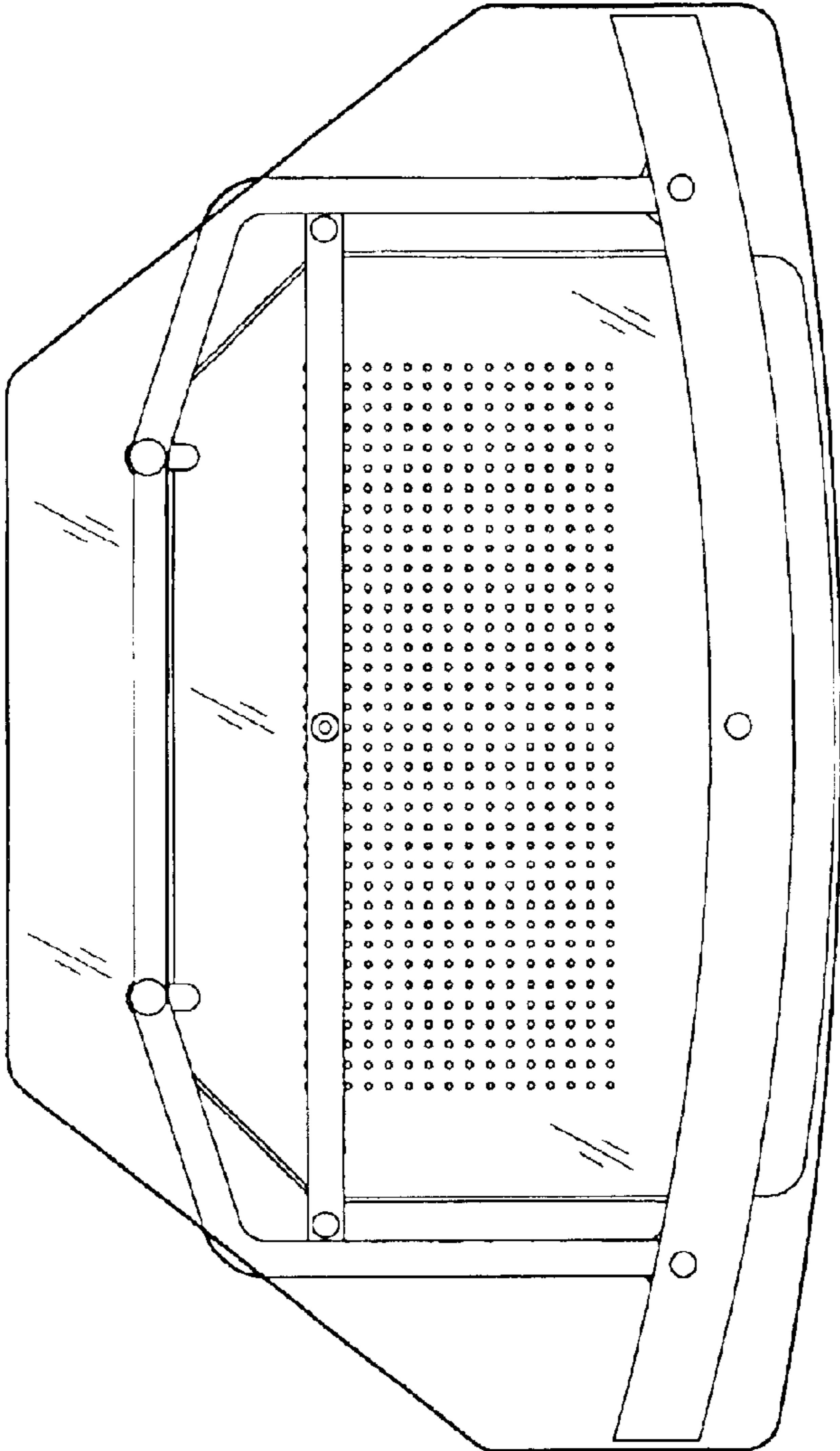


FIG. 6

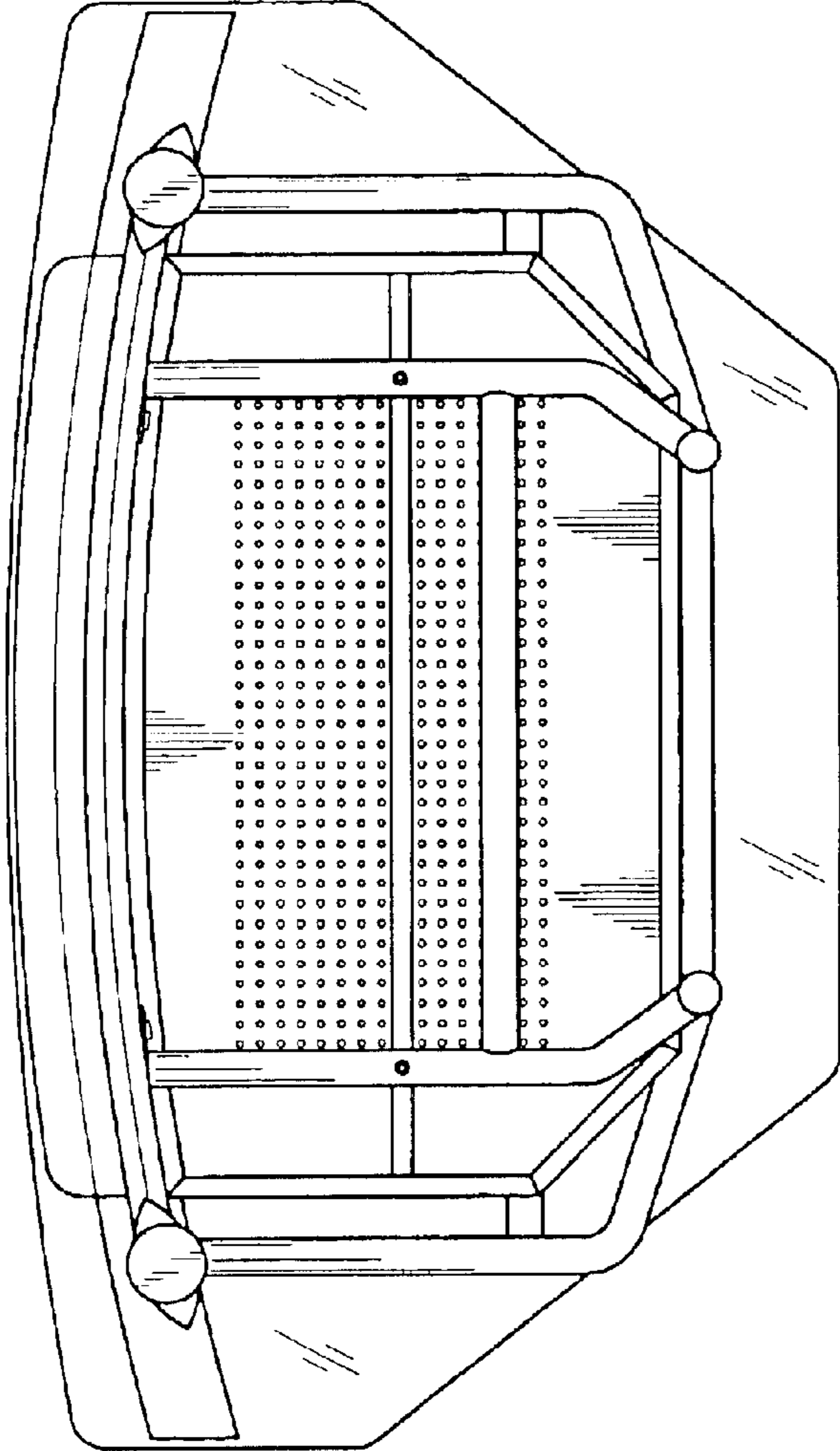


FIG. 7