

US00D497059S1

(12) **United States Design Patent**
Jans

(10) **Patent No.:** **US D497,059 S**

(45) **Date of Patent:** **** Oct. 12, 2004**

(54) **MULTIMEDIA DESK**

(75) **Inventor:** **Ben Jans**, Antwerp (BE)

(73) **Assignee:** **Ben Jans Electronics NV/SA** (BE)

(**) **Term:** **14 Years**

(21) **Appl. No.:** **29/160,268**

(22) **Filed:** **May 7, 2002**

(51) **LOC (7) Cl.** **06-04**

(52) **U.S. Cl.** **D6/422**

(58) **Field of Search** D6/422-428, 477,
D6/479, 399; 312/194-196, 201, 208.1,
208.2, 208.4, 239; 108/50.01, 50.02; D14/305

(56) **References Cited**

U.S. PATENT DOCUMENTS

- D242,317 S * 11/1976 Hofmann D6/425
- D275,284 S * 8/1984 Wells et al. D14/104
- D452,391 S * 12/2001 Efron et al. D6/422

* cited by examiner

Primary Examiner—Janice E. Seeger

(74) *Attorney, Agent, or Firm*—Ropes & Gray; Mark W. Bellomy

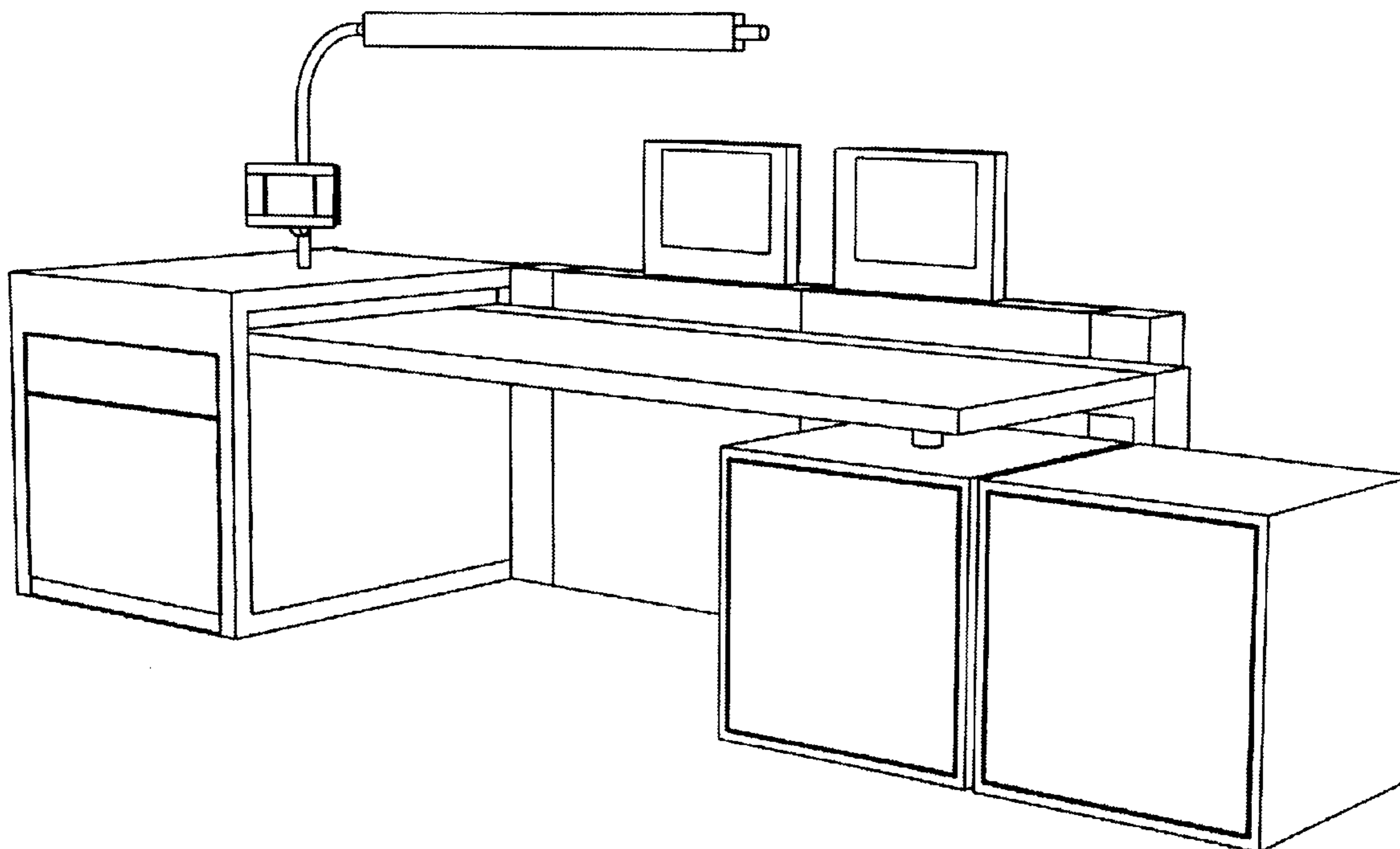
(57) **CLAIM**

The ornamental design for a multimedia desk, as shown and described.

DESCRIPTION

FIG. 1 is a front perspective view of a first embodiment of a multimedia desk showing my new design;
 FIG. 2 is a front view thereof;
 FIG. 3 is a rear view thereof;
 FIG. 4 is a left side view thereof;
 FIG. 5 is a right side view thereof;
 FIG. 6 is a top view thereof;
 FIG. 7 is a bottom view thereof; and,
 FIG. 8 is a front perspective view of a second embodiment of my design which differs from the first embodiment only in that the display screens of the second embodiment have been retracted to a hide position within the interior of the desk.

1 Claim, 8 Drawing Sheets



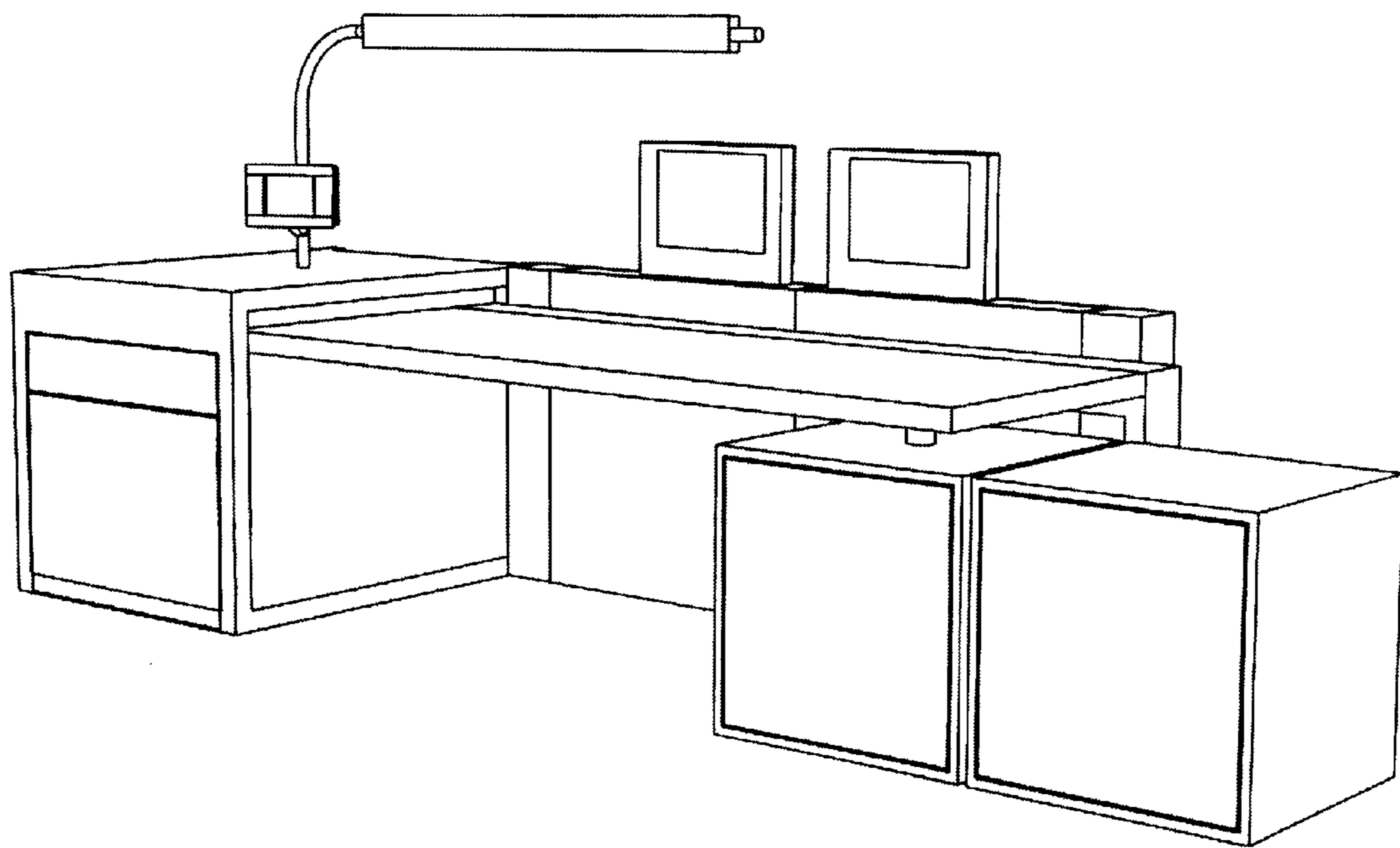


FIG. 1

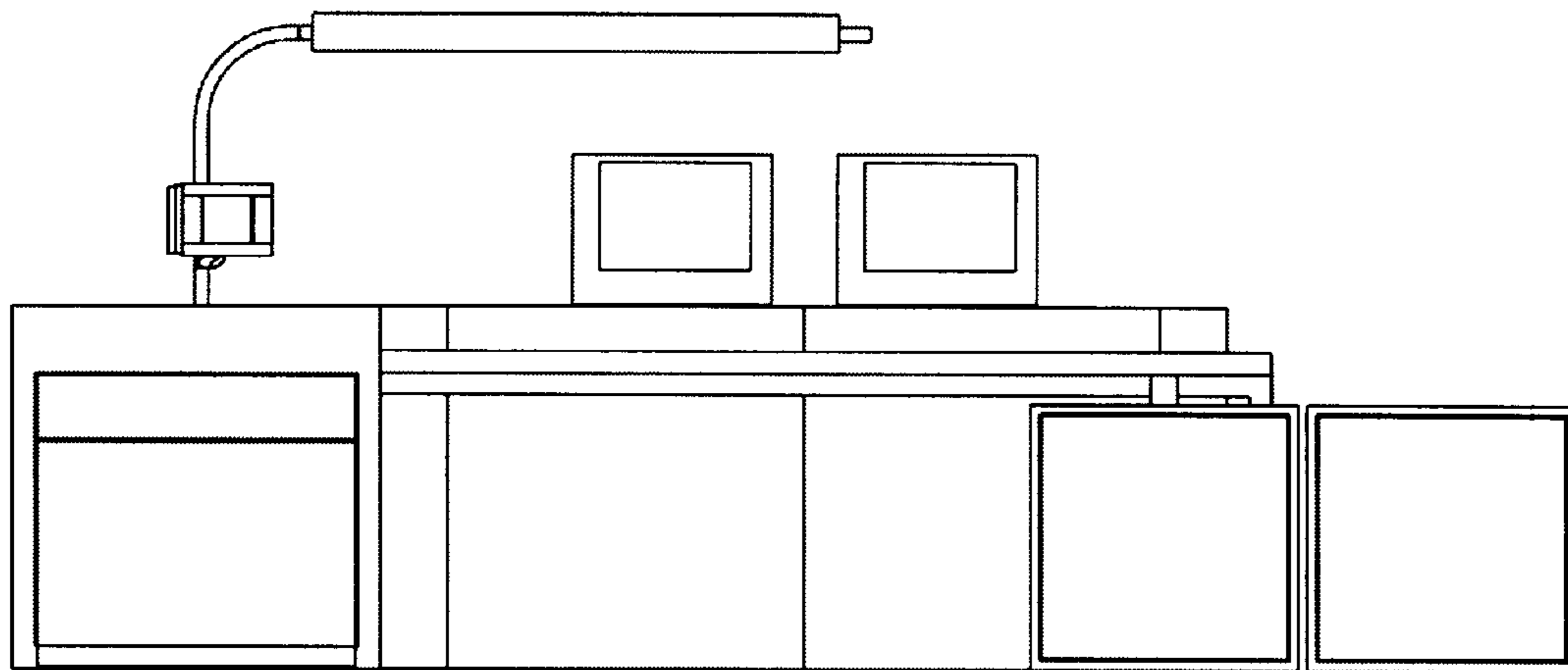


FIG. 2

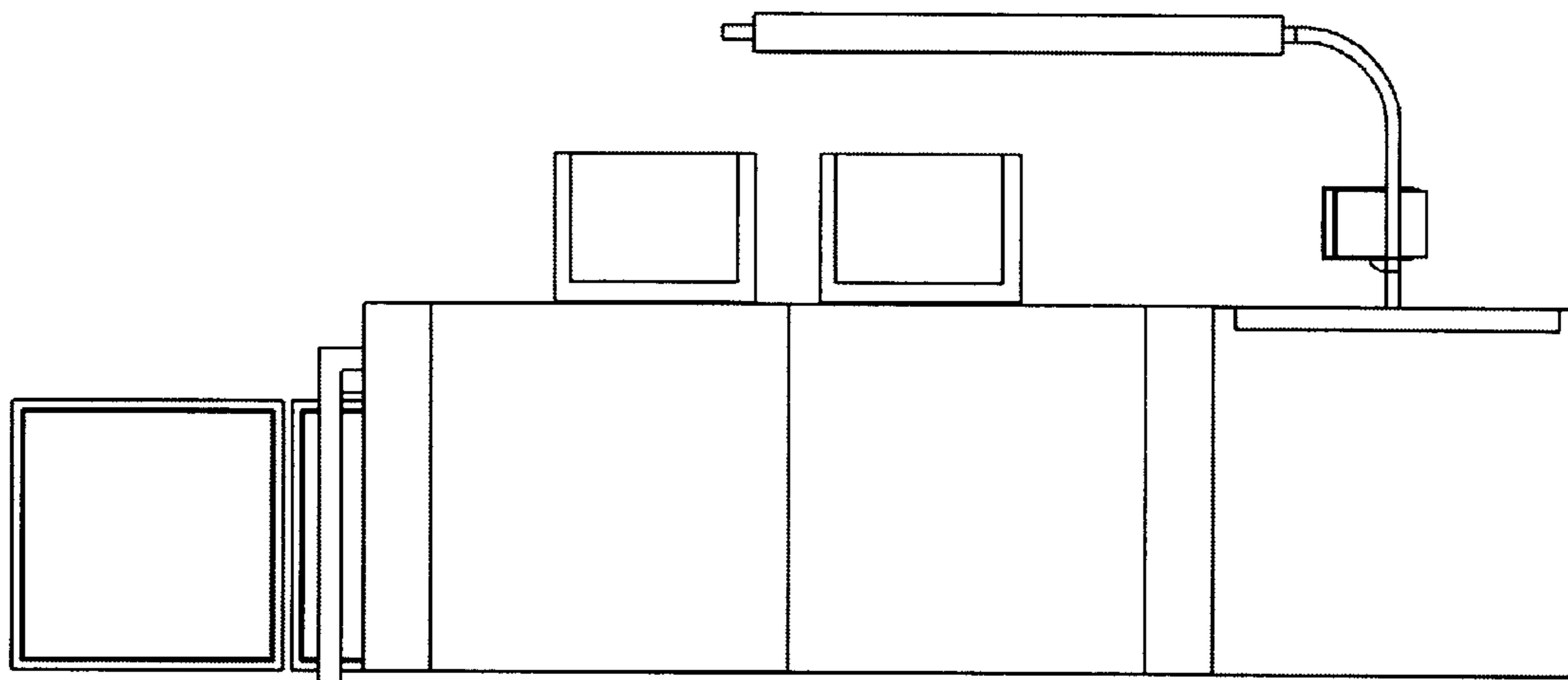


FIG. 3

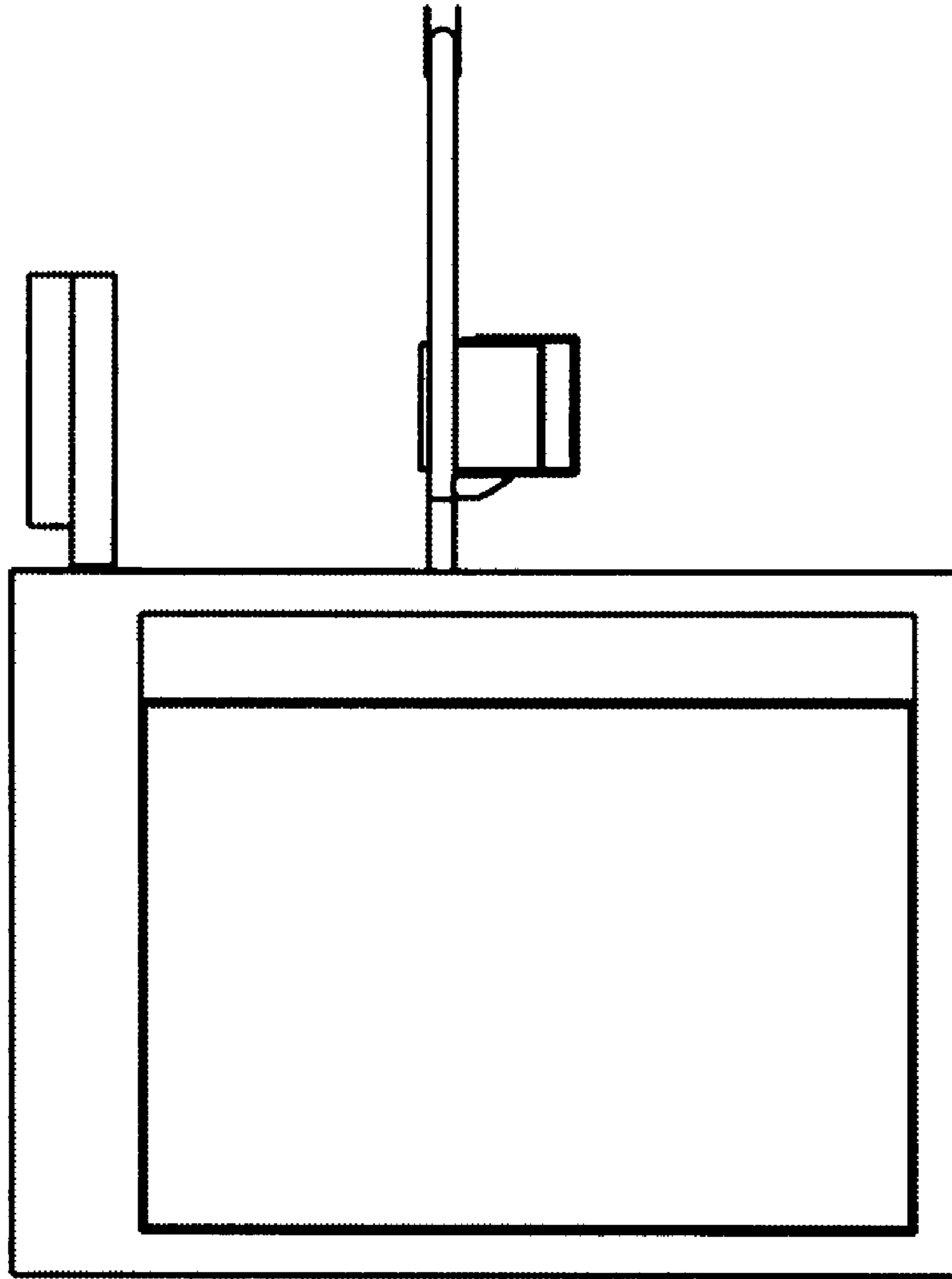


FIG. 4

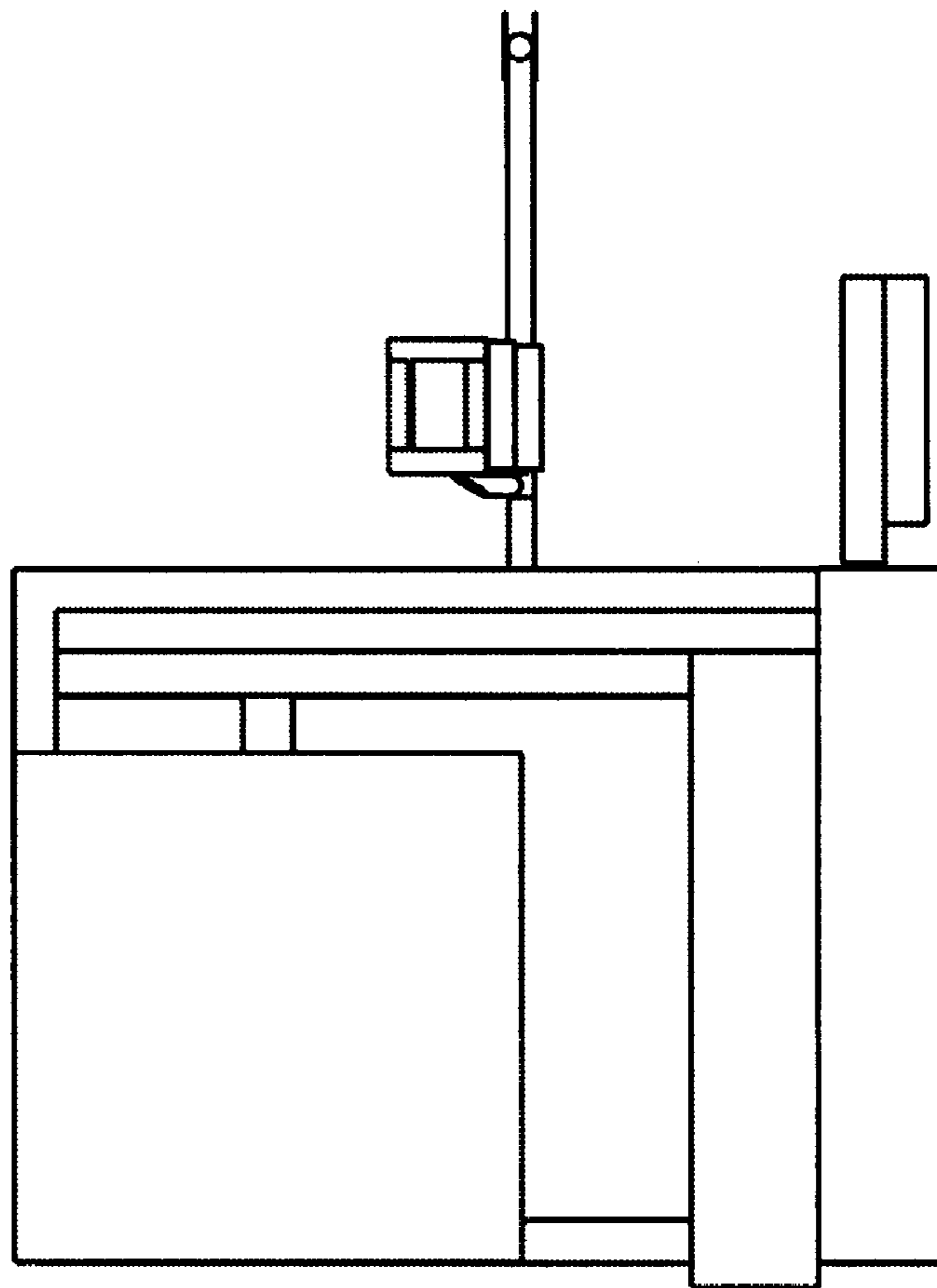


FIG. 5

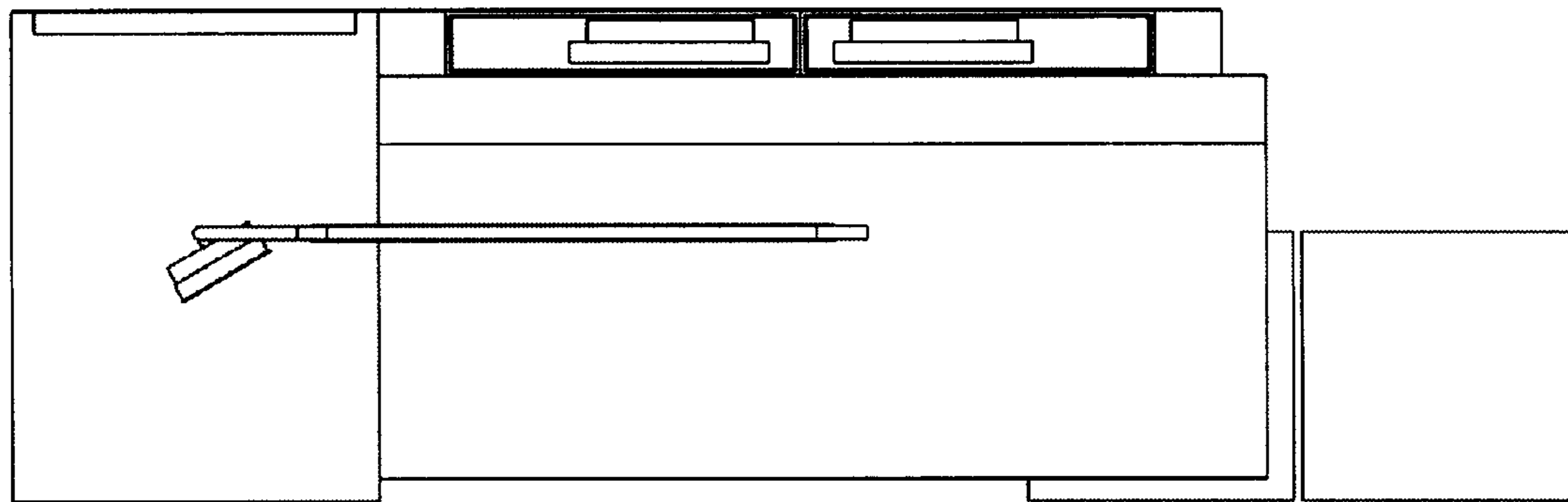


FIG. 6

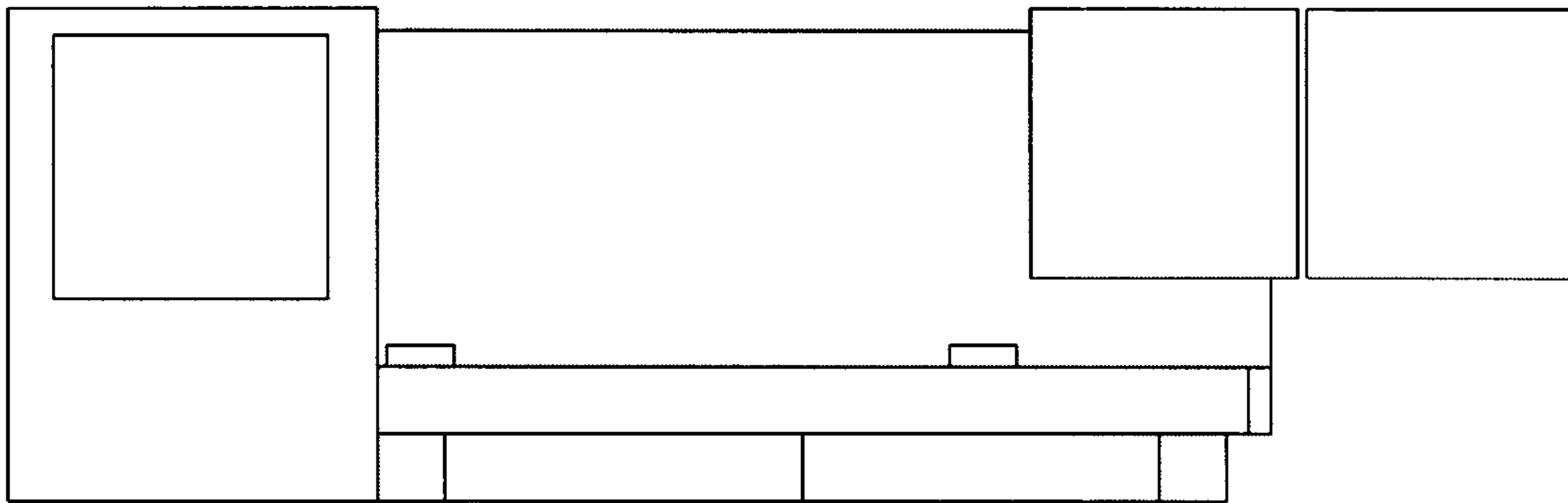


FIG. 7

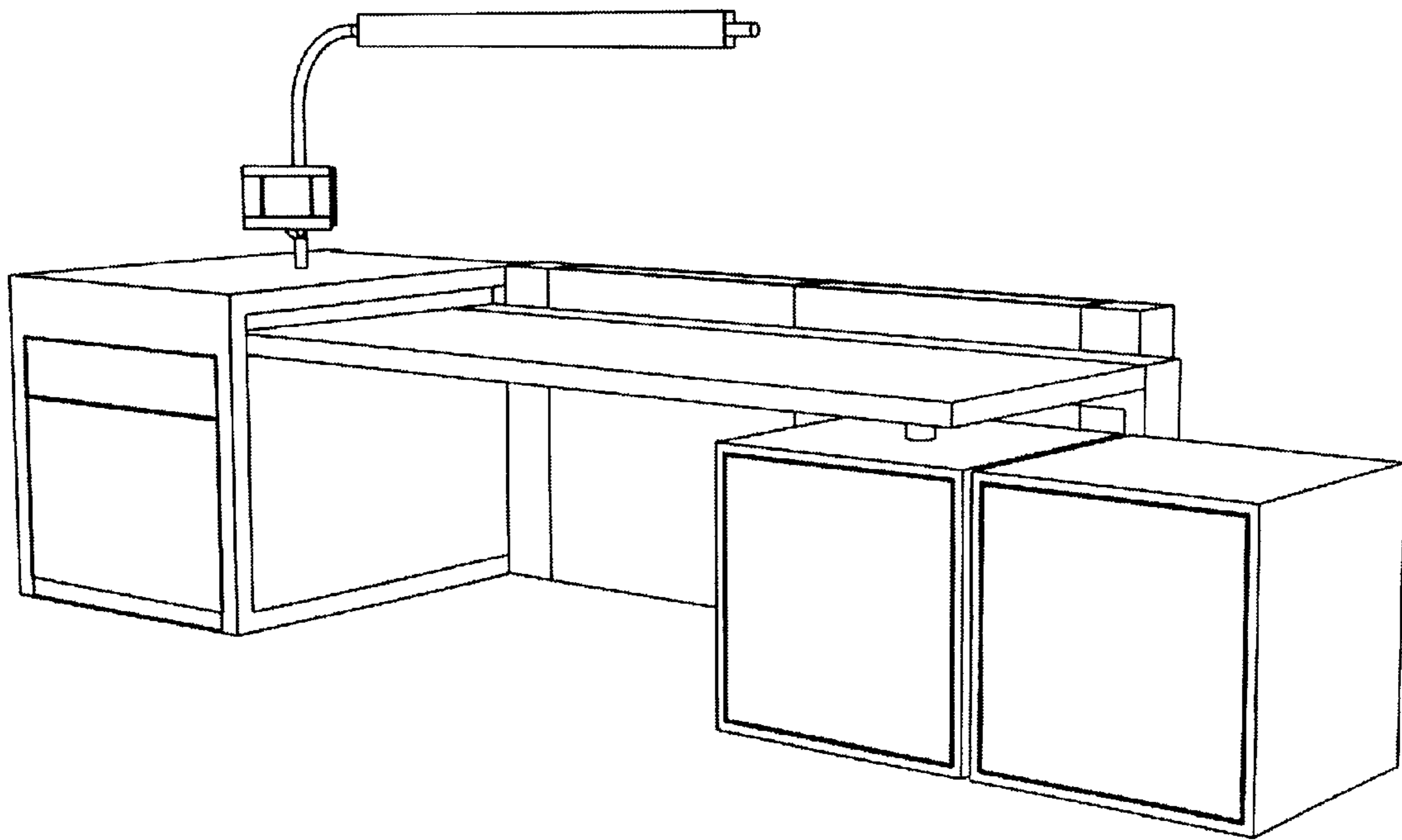


FIG. 8