

US00D497051S1

(12) **United States Design Patent**  
**Nieves**

(10) **Patent No.:** **US D497,051 S**  
(45) **Date of Patent:** **\*\* Oct. 12, 2004**

(54) **PDA HOLDING ASSEMBLY HAVING A ZIPPER CLOSURE**

6,301,098 B1 \* 10/2001 Kim ..... 361/680  
6,347,796 B1 \* 2/2002 Grossman et al. .... 273/148 B

(75) Inventor: **Julian Nieves**, New York, NY (US)

\* cited by examiner

(73) Assignee: **Motion Systems, L.L.C.**, New York, NY (US)

*Primary Examiner*—Philip S. Hyder

(\*\*) Term: **14 Years**

(57) **CLAIM**

(21) Appl. No.: **29/176,318**

The ornamental design for a PDA holding assembly having a zipper closure, as shown and described.

(22) Filed: **Feb. 20, 2003**

**DESCRIPTION**

(51) **LOC (7) Cl.** ..... **03-01**

FIG. 1 is a perspective view showing the PDA holding assembly having a zipper closure embodying my new design;

(52) **U.S. Cl.** ..... **D3/301; D3/303**

FIG. 2 is a front view thereof;

(58) **Field of Search** ..... D3/273, 289, 301,  
D3/299, 300, 303, 218; 206/701, 703, 320;  
190/903, 901; 150/131

FIG. 3 is a rear view thereof;

FIG. 4 is a left side view thereof;

FIG. 5 is a right side view thereof;

FIG. 6 is a top plan view thereof;

FIG. 7 is a bottom plan view thereof;

FIG. 8 is a top perspective view of the PDA holding assembly having a zipper closure in an opened configuration; and,

(56) **References Cited**

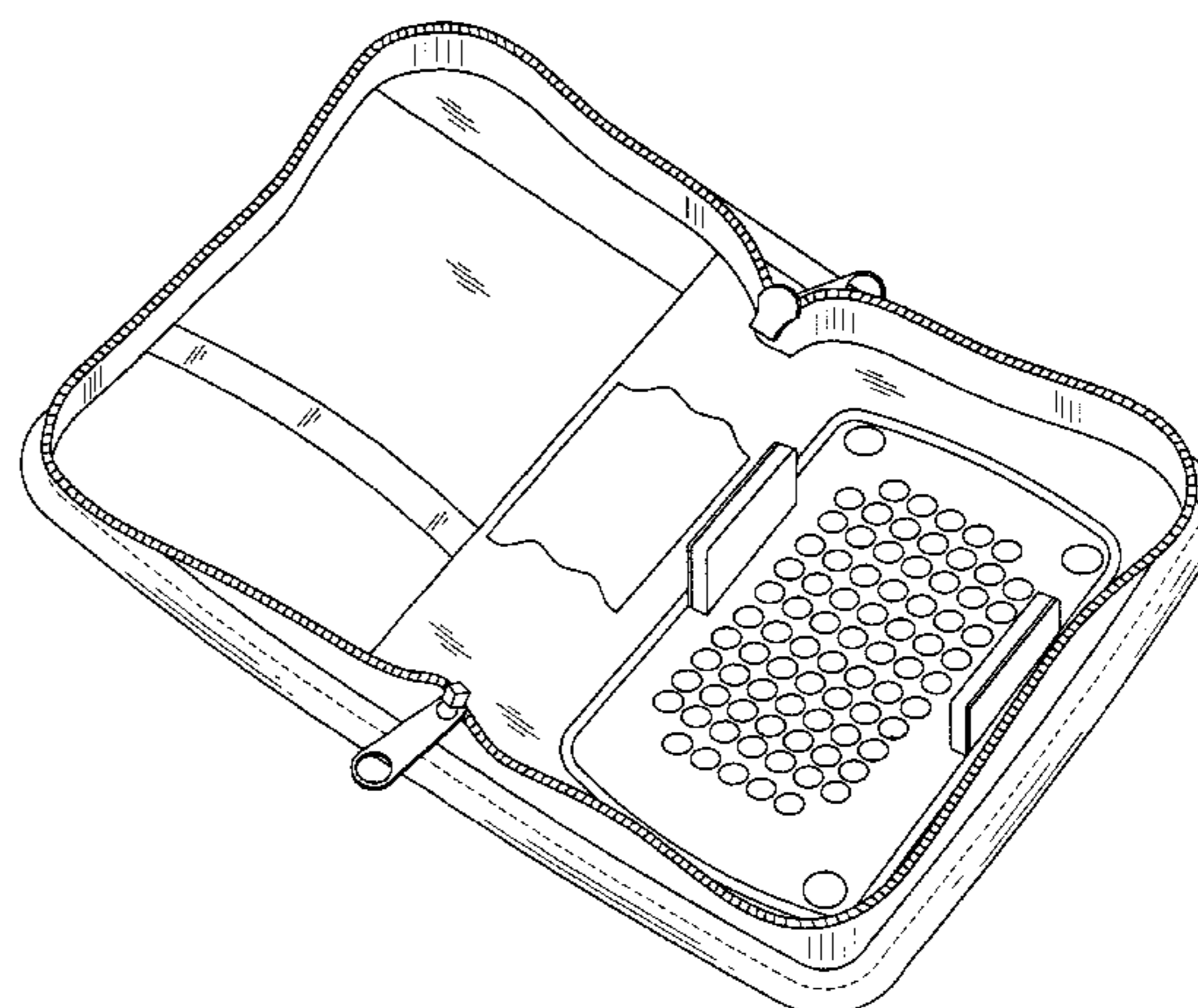
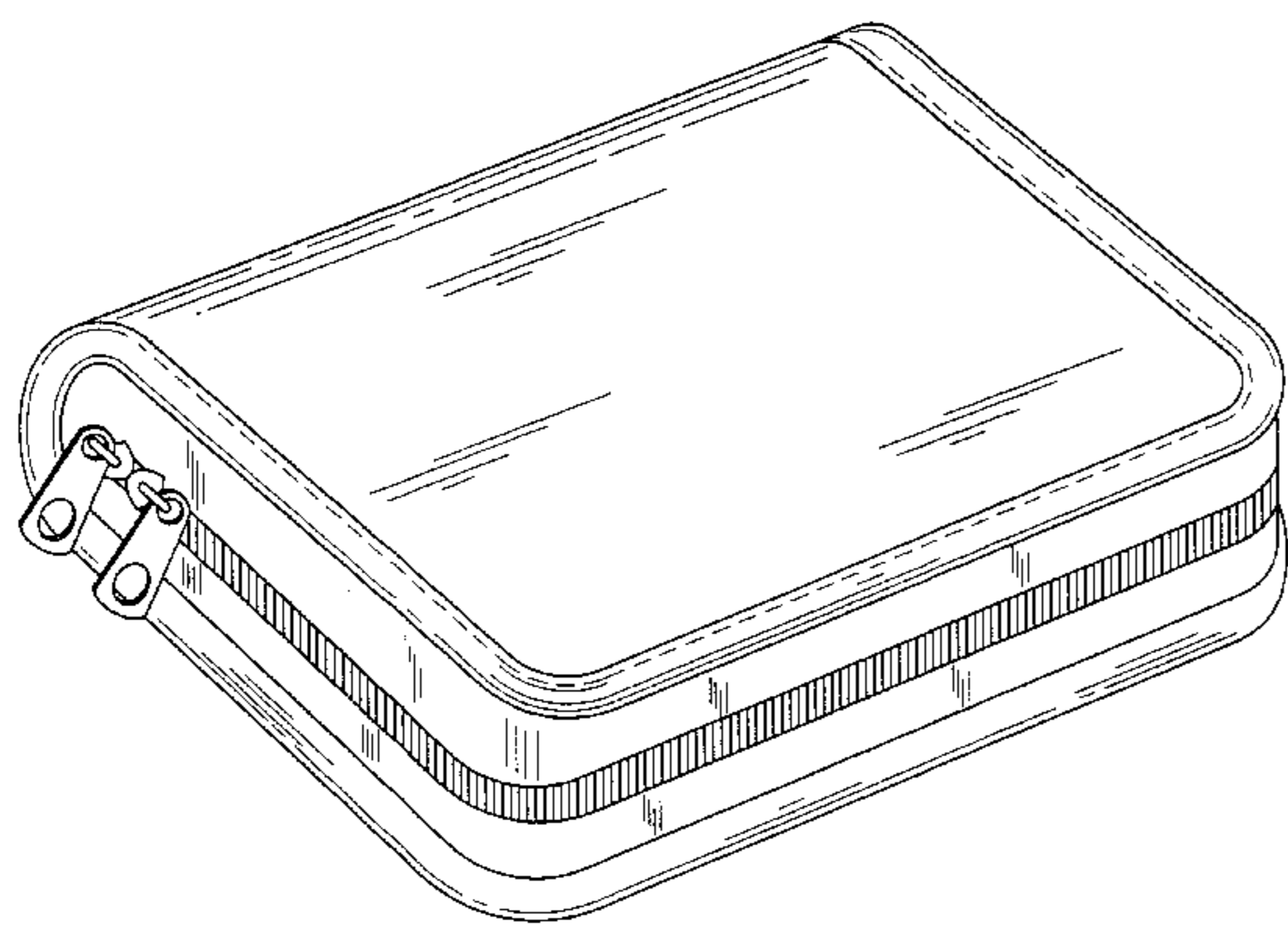
**U.S. PATENT DOCUMENTS**

D382,166 S	*	8/1997	Alves et al.	.....	D6/634
D393,947 S	*	5/1998	Alves et al.	.....	D3/303
D414,935 S	*	10/1999	Bould	.....	D3/301
D421,526 S	*	3/2000	Isaacson	.....	D3/303
D424,804 S	*	5/2000	Isaacson	.....	D3/303
D433,064 S	*	10/2000	Eskandry	.....	D19/78
D433,444 S	*	11/2000	Eskandry	.....	D19/27
D434,803 S	*	12/2000	Eskandry	.....	D19/78
D435,863 S	*	1/2001	Eskandry	.....	D19/27
6,264,029 B1	*	7/2001	Motson	.....	206/320

FIG. 9 is a top perspective view of the PDA holding assembly having a zipper closure in an opened configuration without the environmental structure.

The broken line portions of FIG. 8 are for illustrative purposes only and form no part of the claimed design.

**1 Claim, 7 Drawing Sheets**



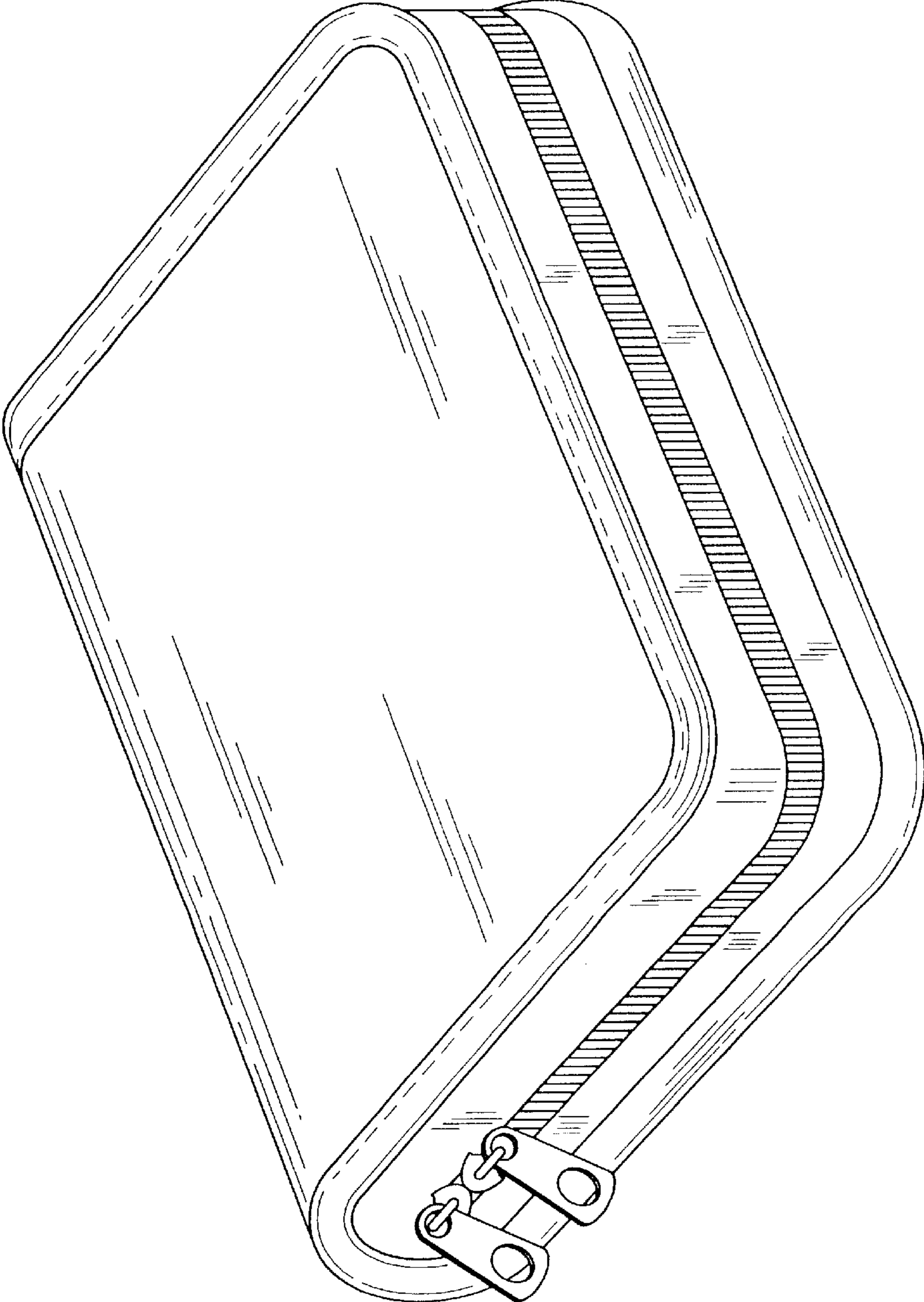


FIG. 1

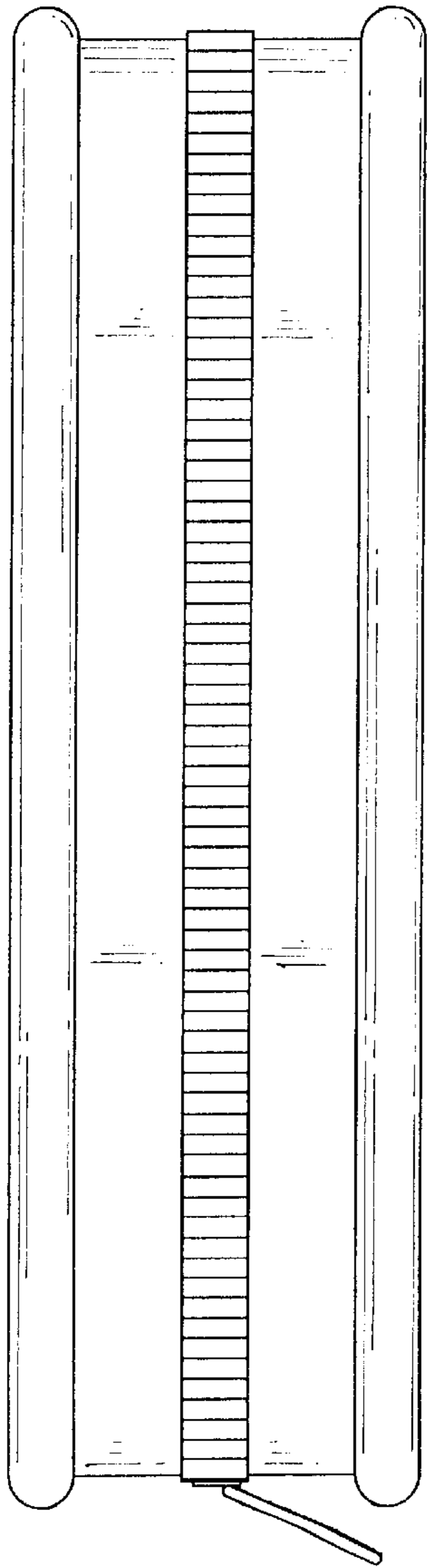


FIG. 2

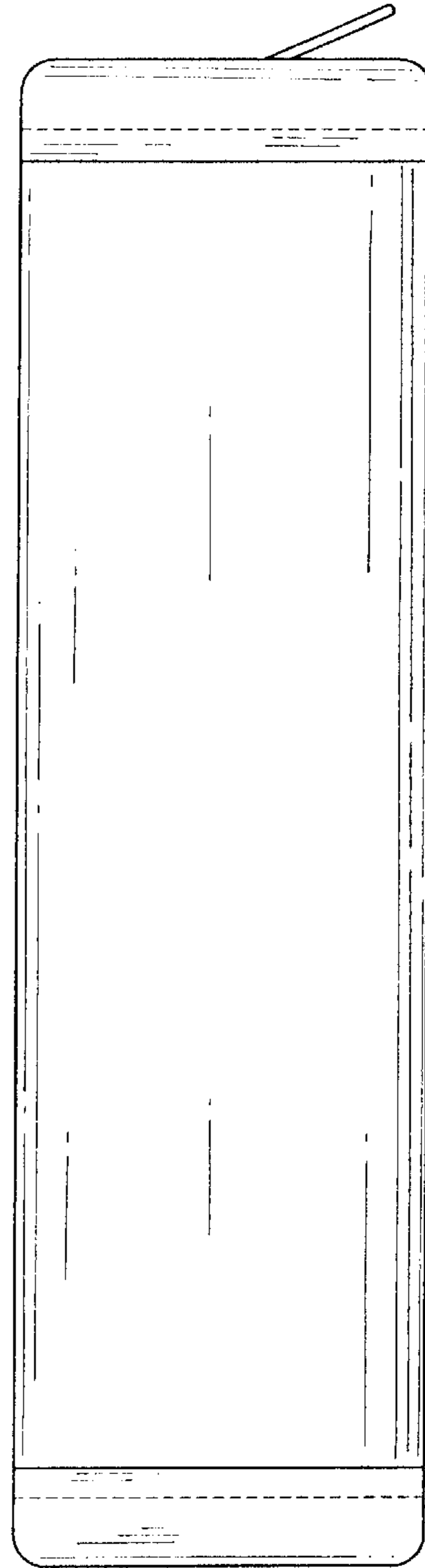


FIG. 3

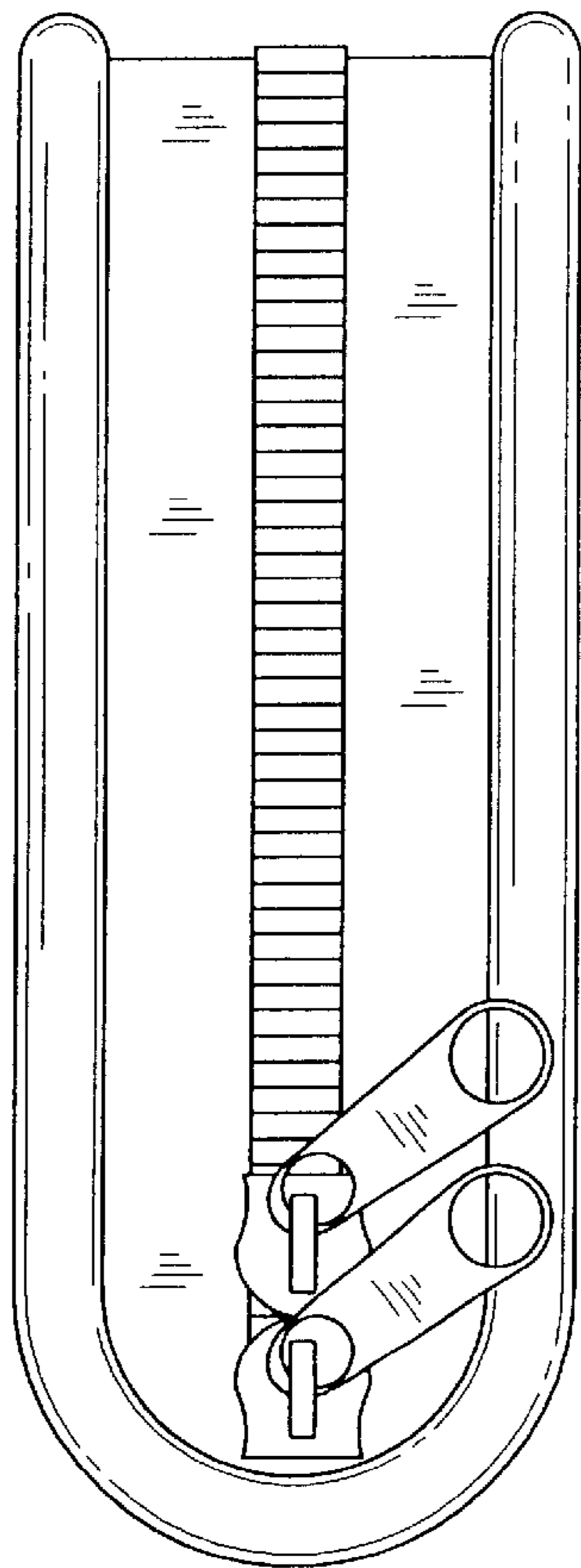


FIG. 4

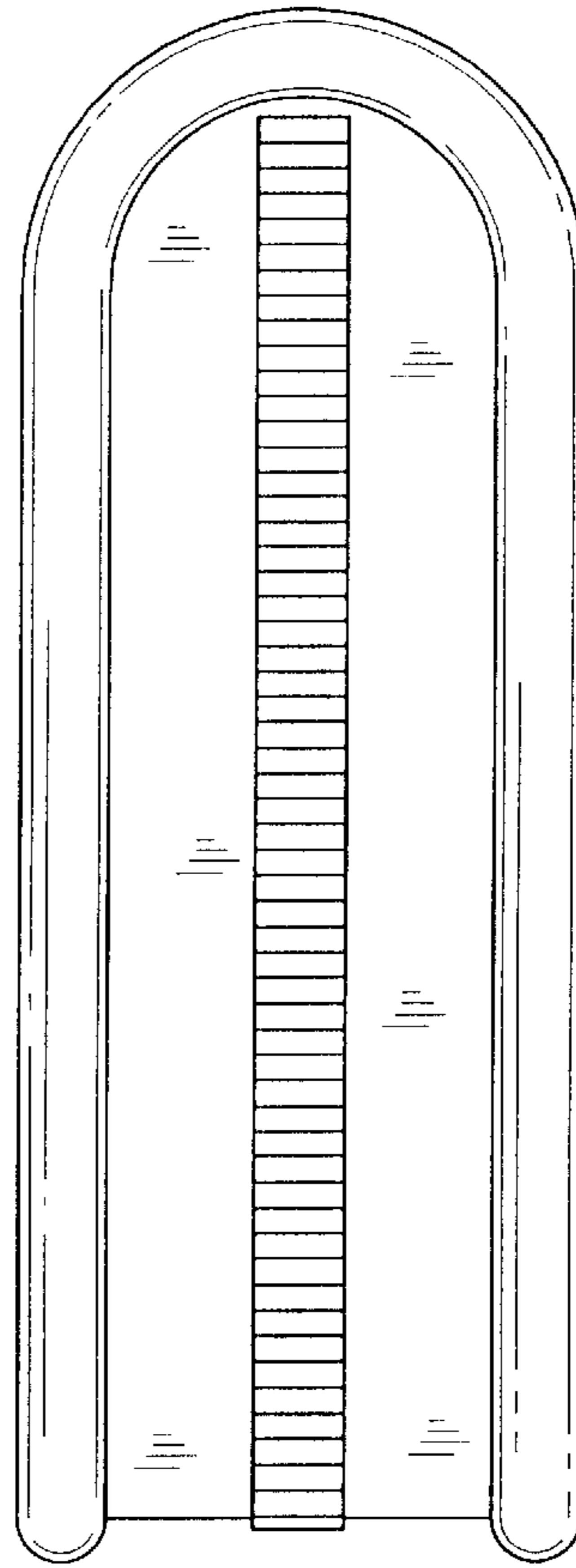


FIG. 5

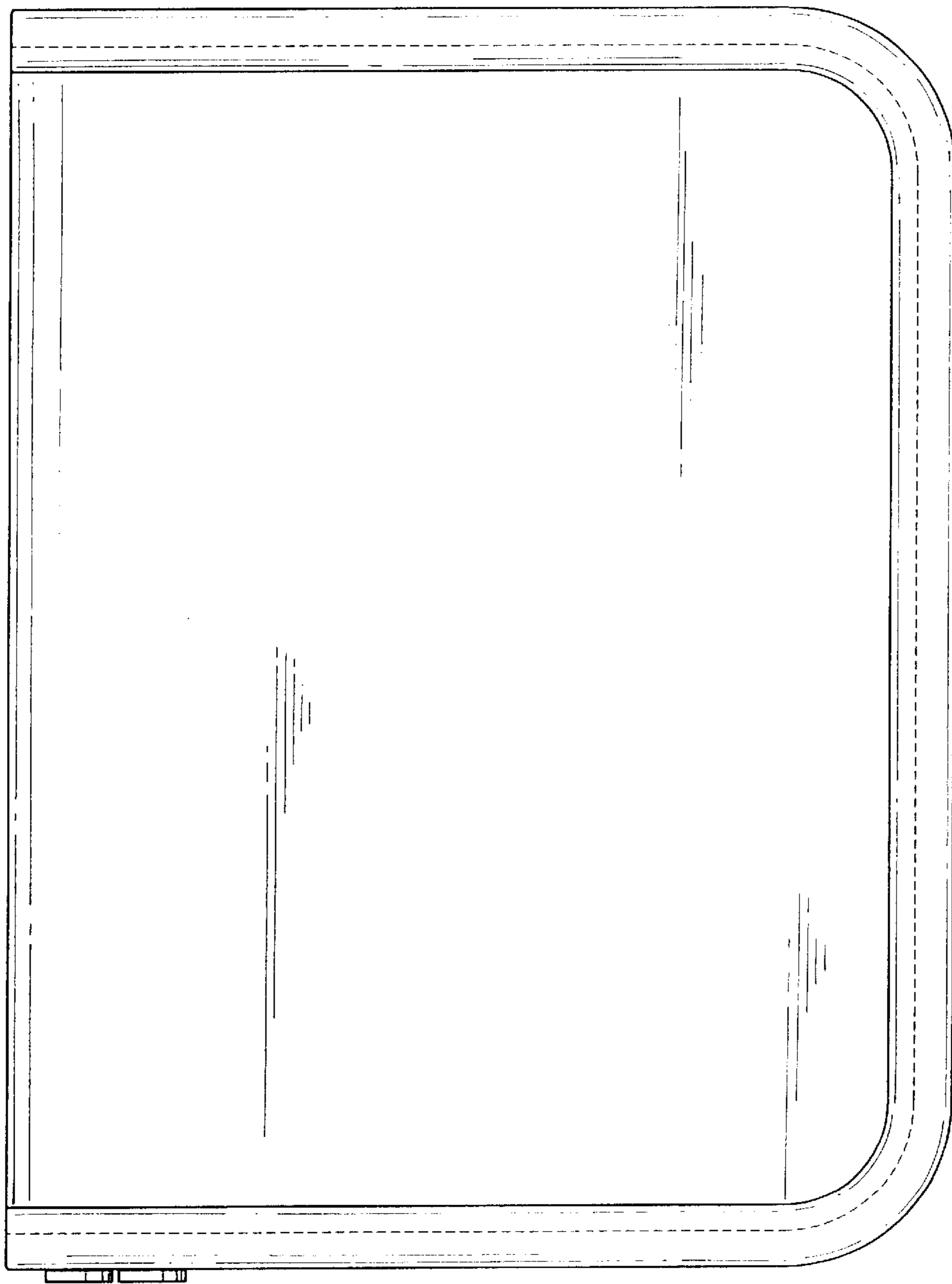


FIG. 6



FIG. 7

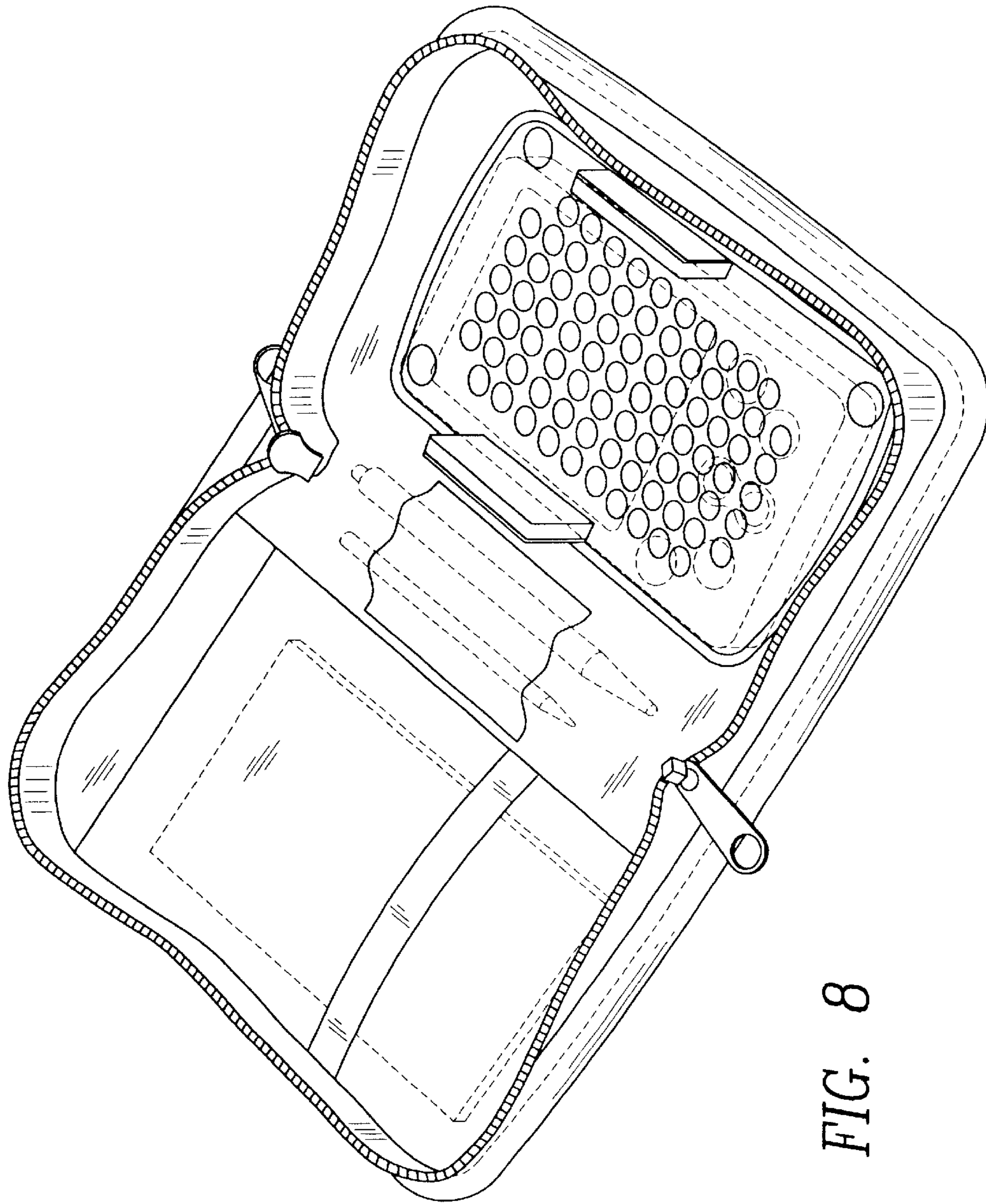


FIG. 8

FIG. 9

