

US00D497048S1

(12) **United States Design Patent** (10) **Patent No.:** **US D497,048 S**  
**Pritchard et al.** (45) **Date of Patent:** **\*\* Oct. 12, 2004**

(54) **HOLSTER FOR A PERSONAL DIGITAL ASSISTANT**

(75) Inventors: **David Raymond Pritchard**,  
Winston-Salem, NC (US); **John  
Thomas Gunn**, Charlotte, NC (US)

(73) Assignee: **Ingersoll-Rand Company**, Woodcliff  
Lake, NJ (US)

(\*\*) Term: **14 Years**

(21) Appl. No.: **29/177,539**

(22) Filed: **Mar. 11, 2003**

(51) **LOC (7) Cl.** ..... **03-01**

(52) **U.S. Cl.** ..... **D3/218**

(58) **Field of Search** ..... D3/218, 215, 230,  
D3/224, 226; 224/675-679; 361/679-683,  
715; 379/433; 206/305, 38, 45, 328

(56) **References Cited**

**U.S. PATENT DOCUMENTS**

6,102,266	A	8/2000	Chacon et al.	
D465,646	S	* 11/2002	Hendrickson	D3/218
D467,068	S	* 12/2002	Lewis et al.	D3/215
6,520,334	B1	* 2/2003	Hoover	D3/218
6,646,864	B2	* 11/2003	Richardson	361/681
D485,060	S	* 1/2004	DeCotis	D3/215
2001/0040109	A1	* 11/2001	Yaski et al.	206/305
2003/0111366	A1	* 6/2003	Enners	206/305

\* cited by examiner

*Primary Examiner*—Catherine R. Oliver  
(74) *Attorney, Agent, or Firm*—Michael Best & Friedrich  
LLP

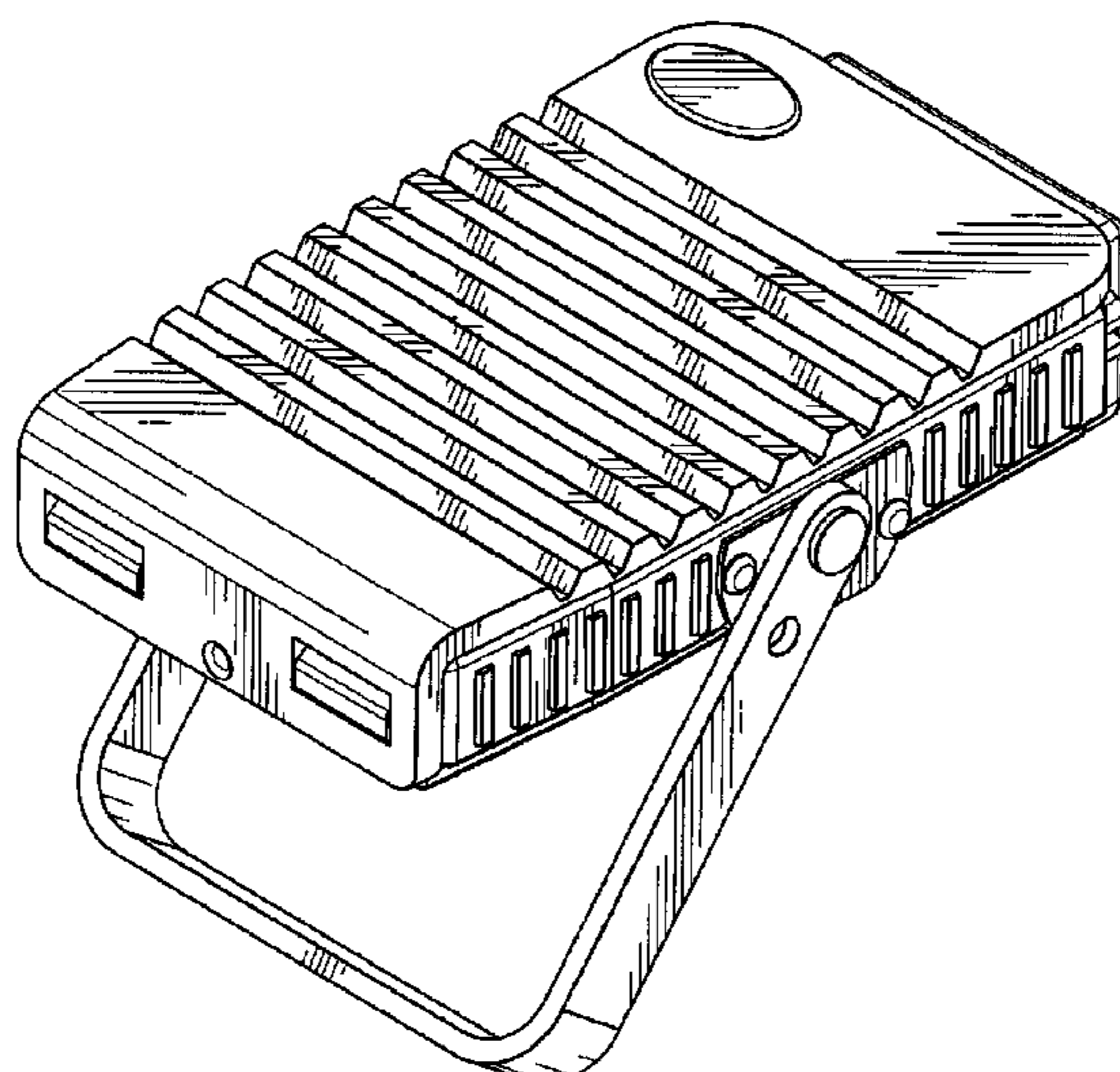
(57) **CLAIM**

We claim the ornamental design for a holster for a personal digital assistant, as shown and described.

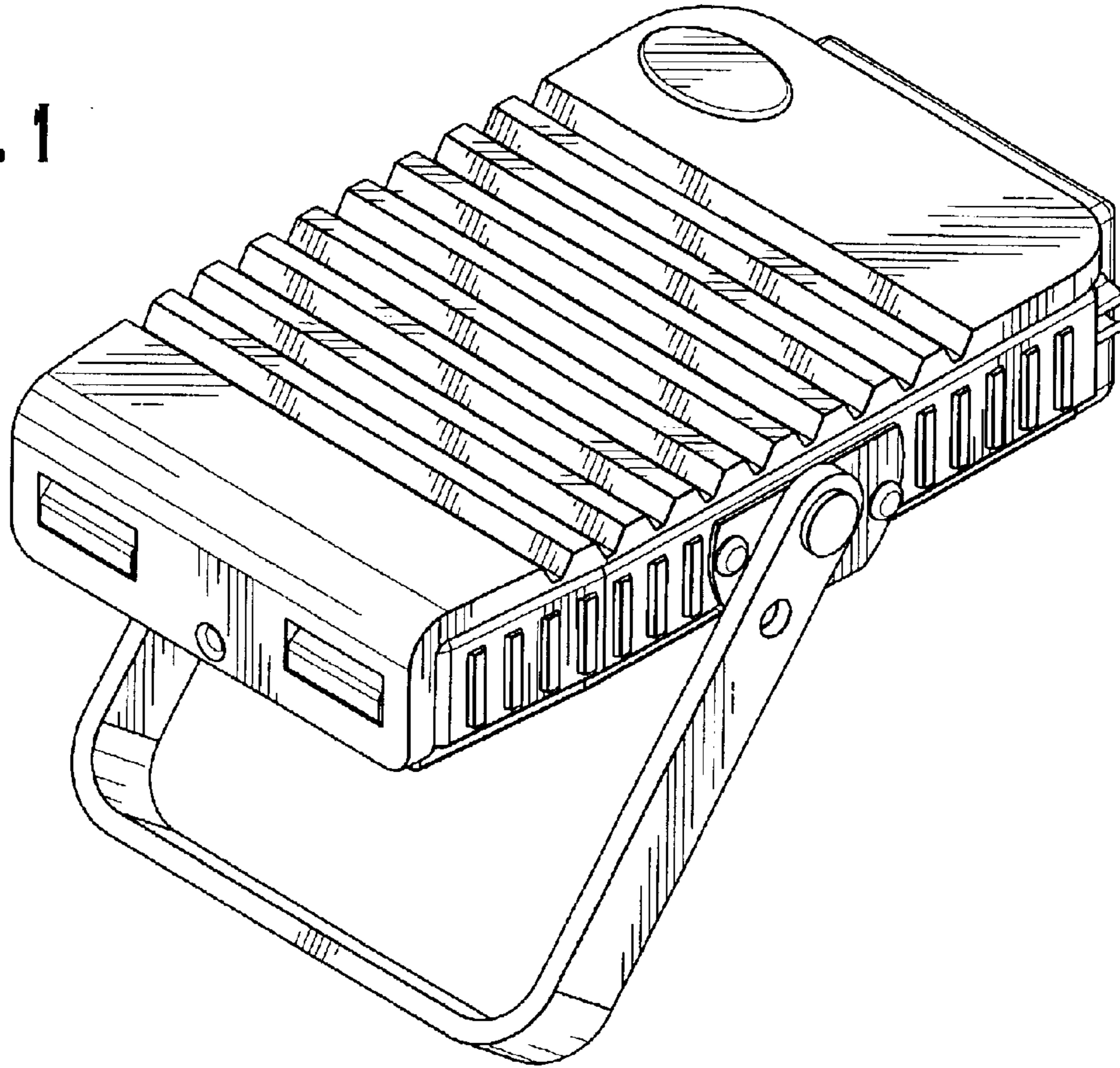
**DESCRIPTION**

FIG. 1 is a bottom-right isometric view of a first embodiment of the holster for a personal digital assistant of the present invention;  
 FIG. 2 is a top-right isometric view of a first embodiment of the holster for a personal digital assistant of FIG. 1;  
 FIG. 3 is a front elevational view of the holster for a personal digital assistant of FIG. 1;  
 FIG. 4 is a bottom plan view of the holster for a personal digital assistant of FIG. 1;  
 FIG. 5 is a rear elevational view of the holster for a personal digital assistant of FIG. 1;  
 FIG. 6 is a top plan view of the holster for a personal digital assistant of FIG. 1;  
 FIG. 7 is a right side elevational view of the holster for a personal digital assistant of FIG. 1;  
 FIG. 8 is a left side elevational view of the holster for a personal digital assistant of FIG. 1;  
 FIG. 9 is a bottom-right isometric view of a second embodiment of the holster for a personal digital assistant of the present invention;  
 FIG. 10 is a top-right isometric view of a first embodiment of the holster for a personal digital assistant of FIG. 9;  
 FIG. 11 is a front elevational view of the holster for a personal digital assistant of FIG. 9;  
 FIG. 12 is a bottom plan view of the holster for a personal digital assistant of FIG. 9;  
 FIG. 13 is a rear elevational view of the holster for a personal digital assistant of FIG. 9;  
 FIG. 14 is a top plan view of the holster for a personal digital assistant of FIG. 9;  
 FIG. 15 is a right side elevational view of the holster for a personal digital assistant of FIG. 9; and,  
 FIG. 16 is a left side elevational view of the holster for a personal digital assistant of FIG. 9.

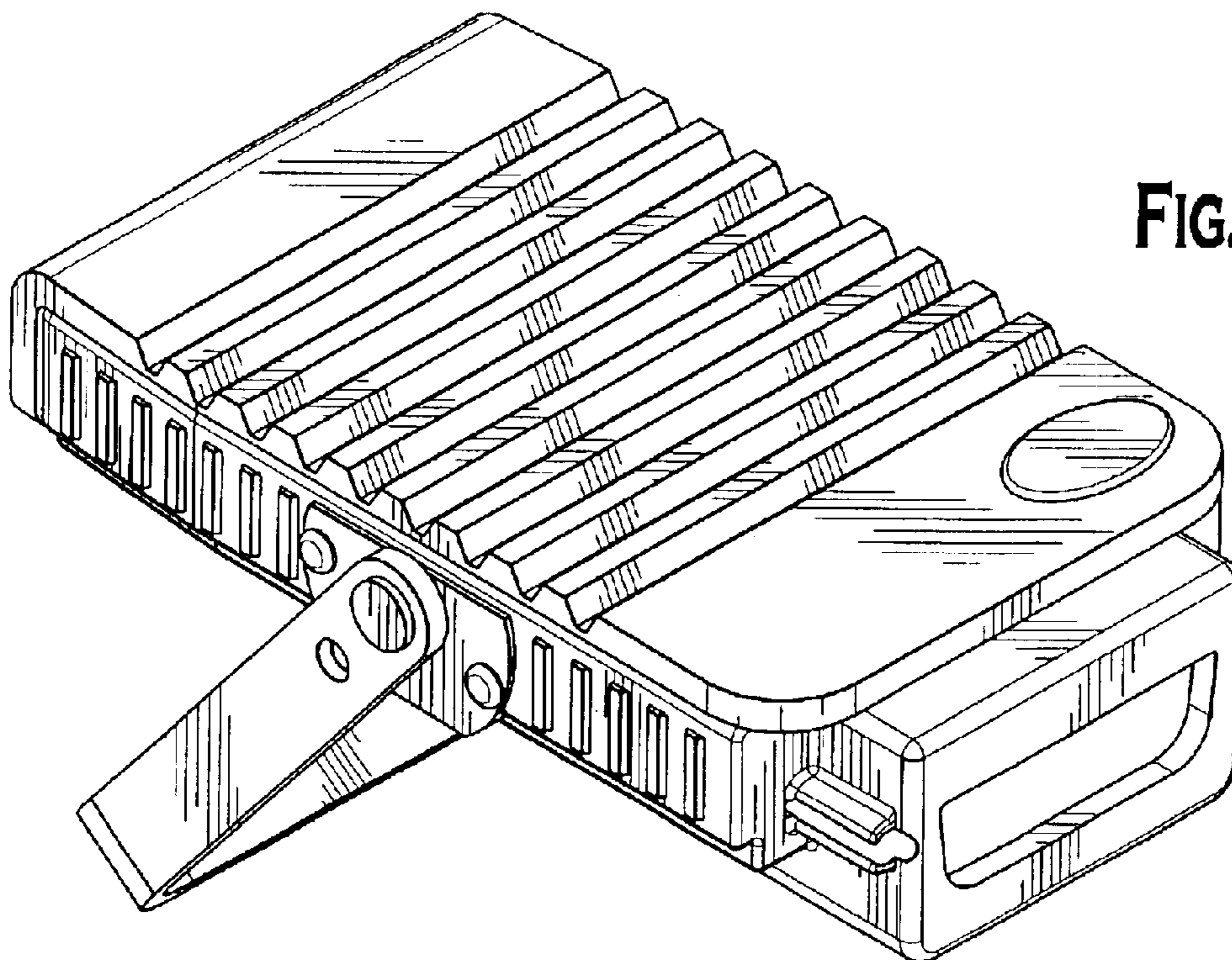
**1 Claim, 8 Drawing Sheets**



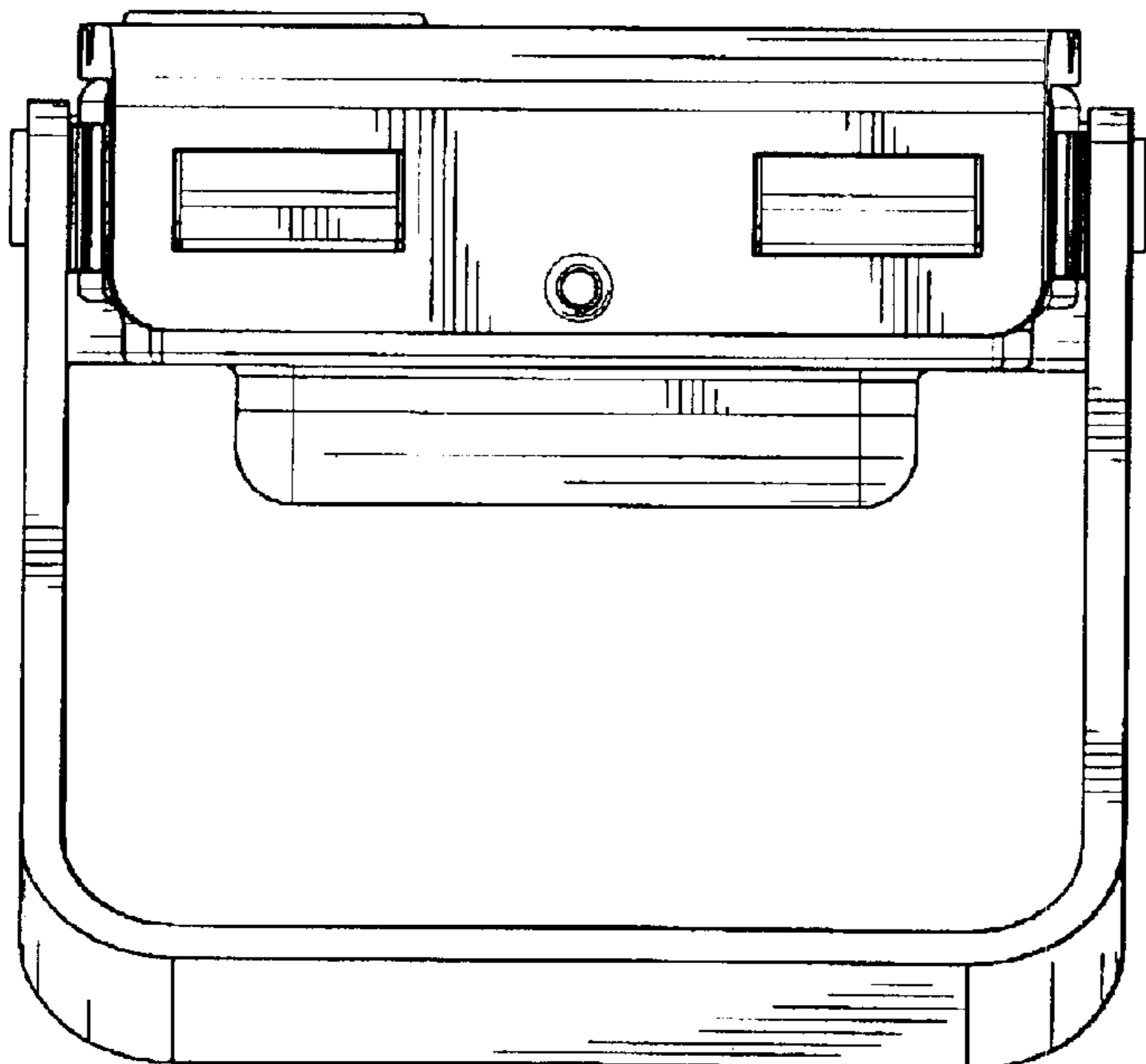
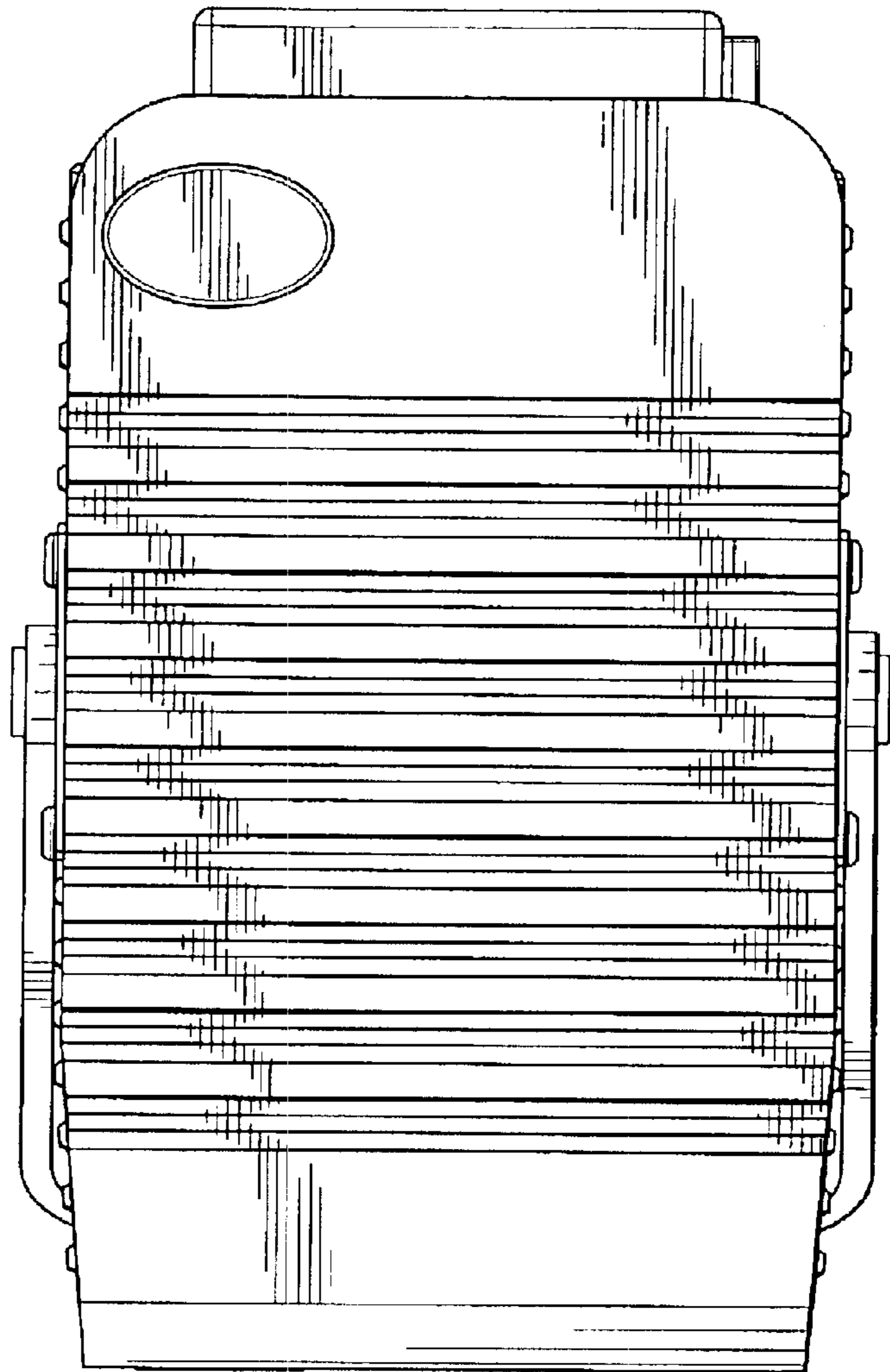
**FIG. 1**



**FIG. 2**

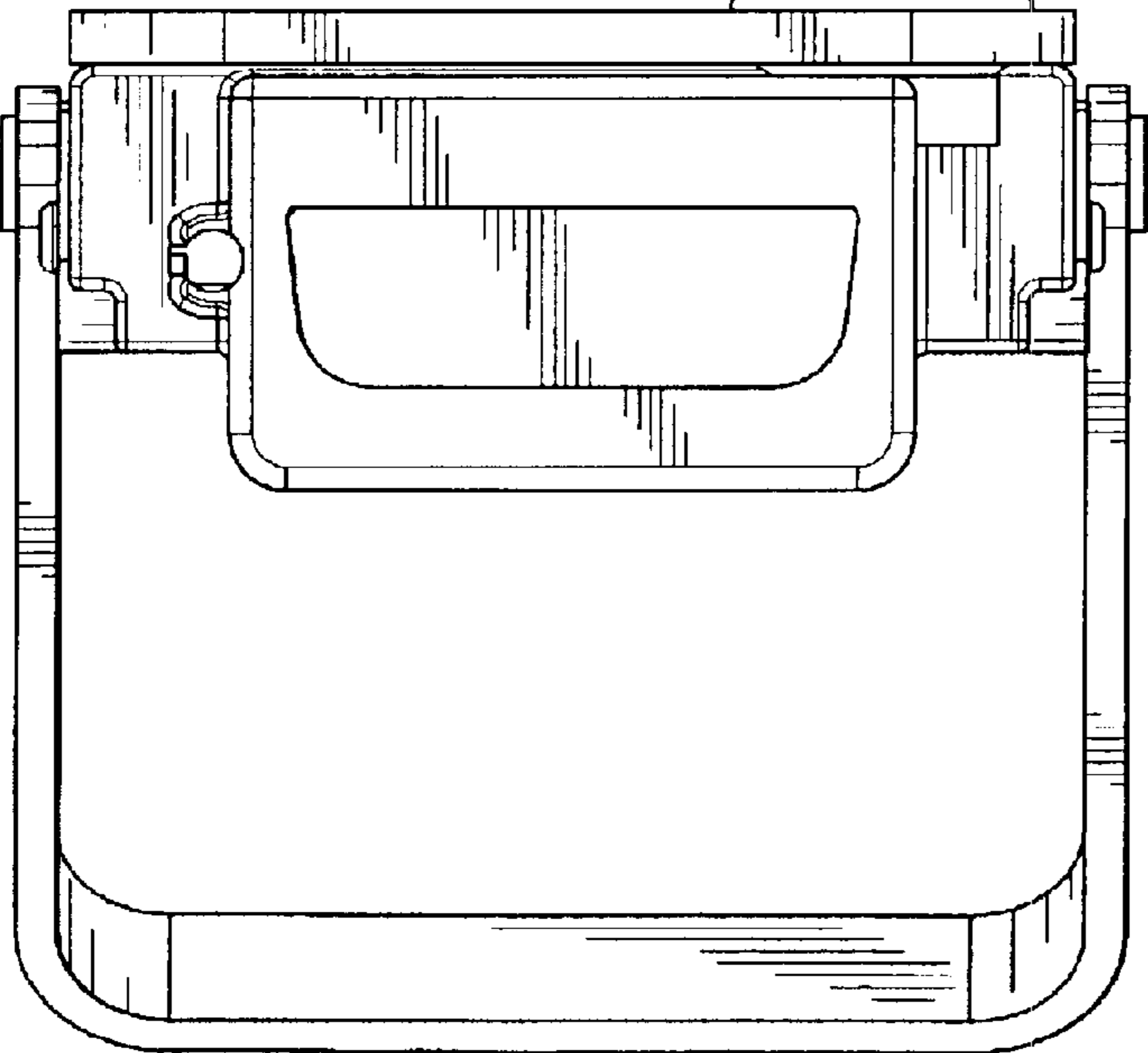
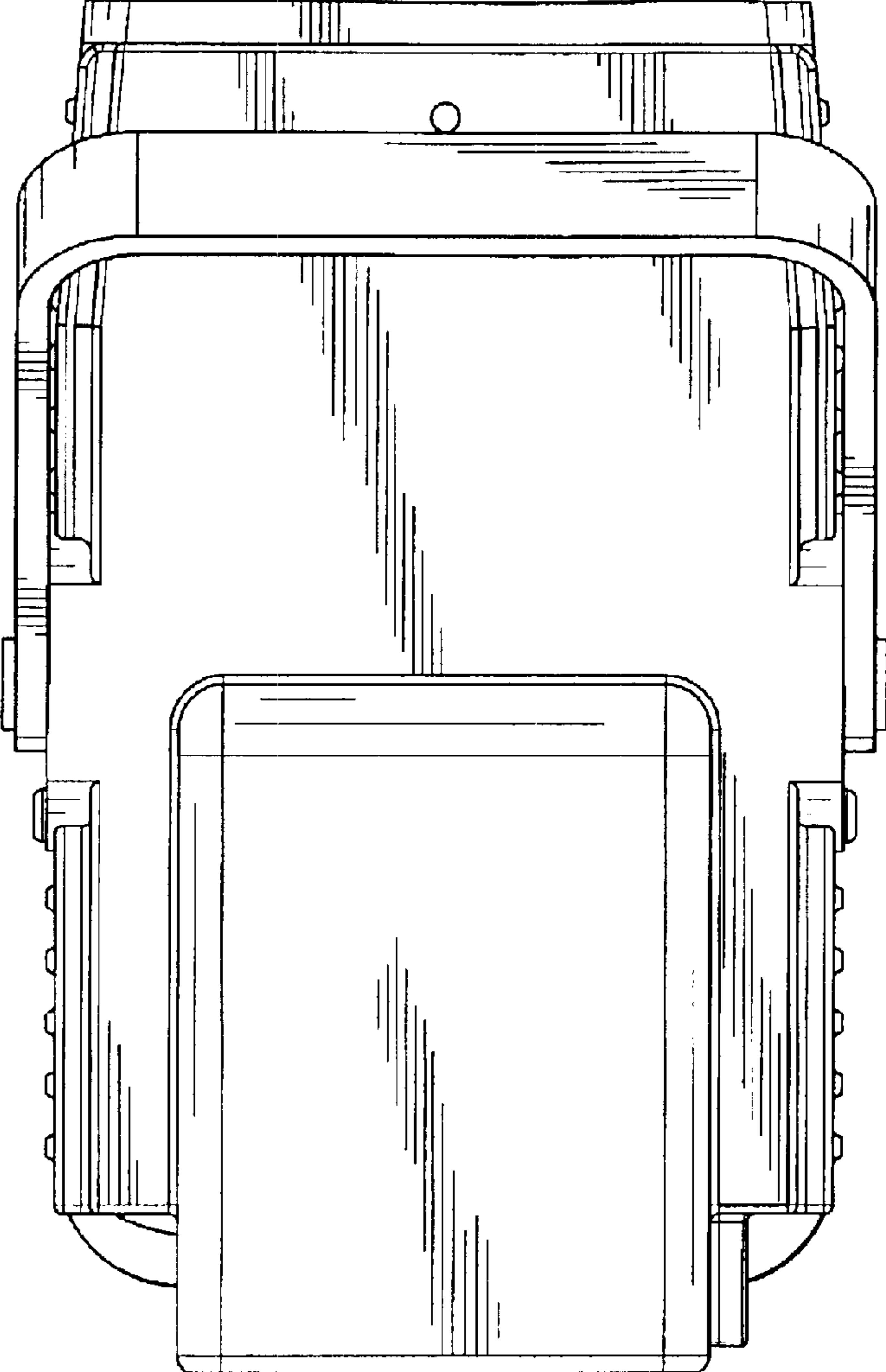


**FIG. 3**



**FIG. 4**

**FIG. 5**



**FIG. 6**

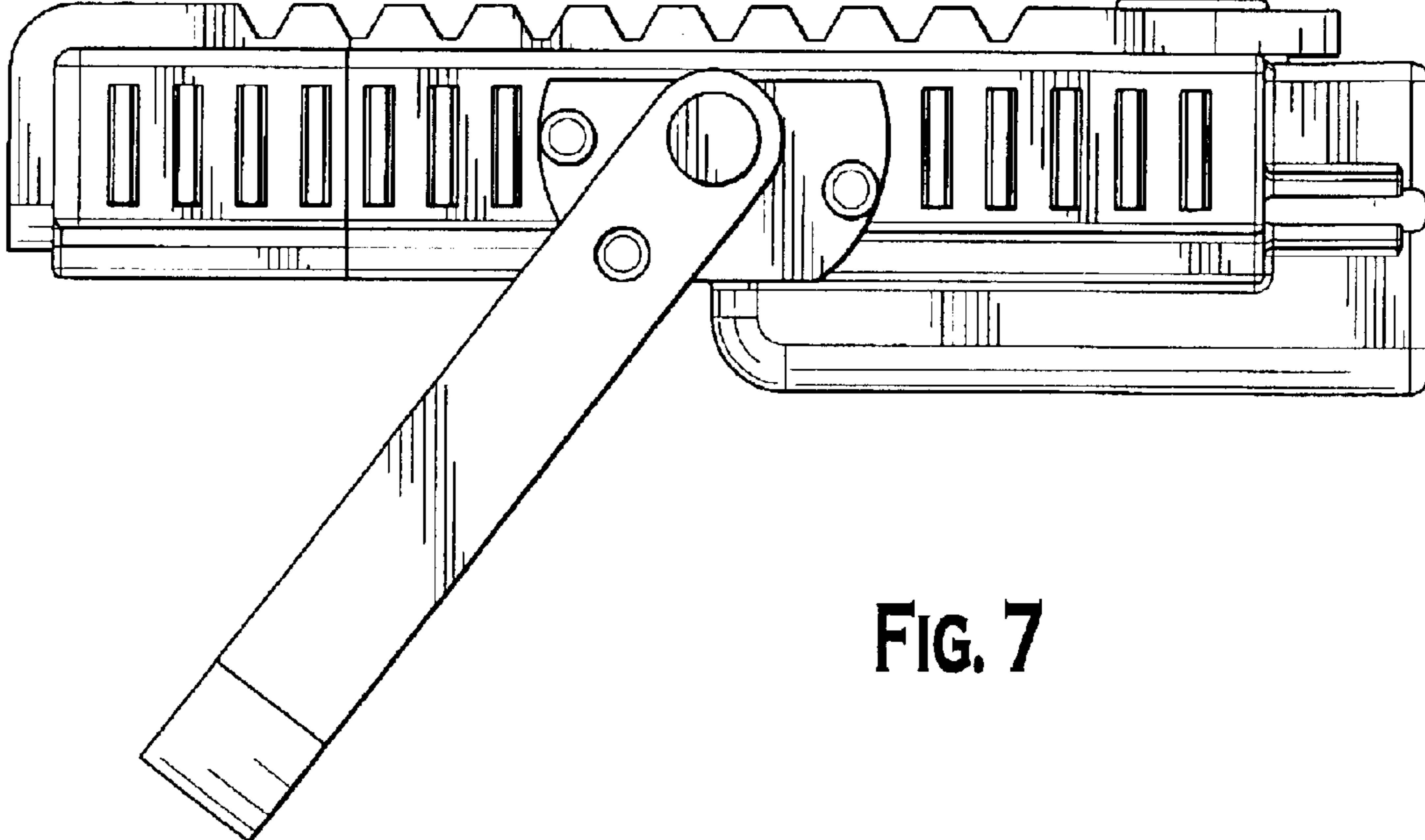


FIG. 7

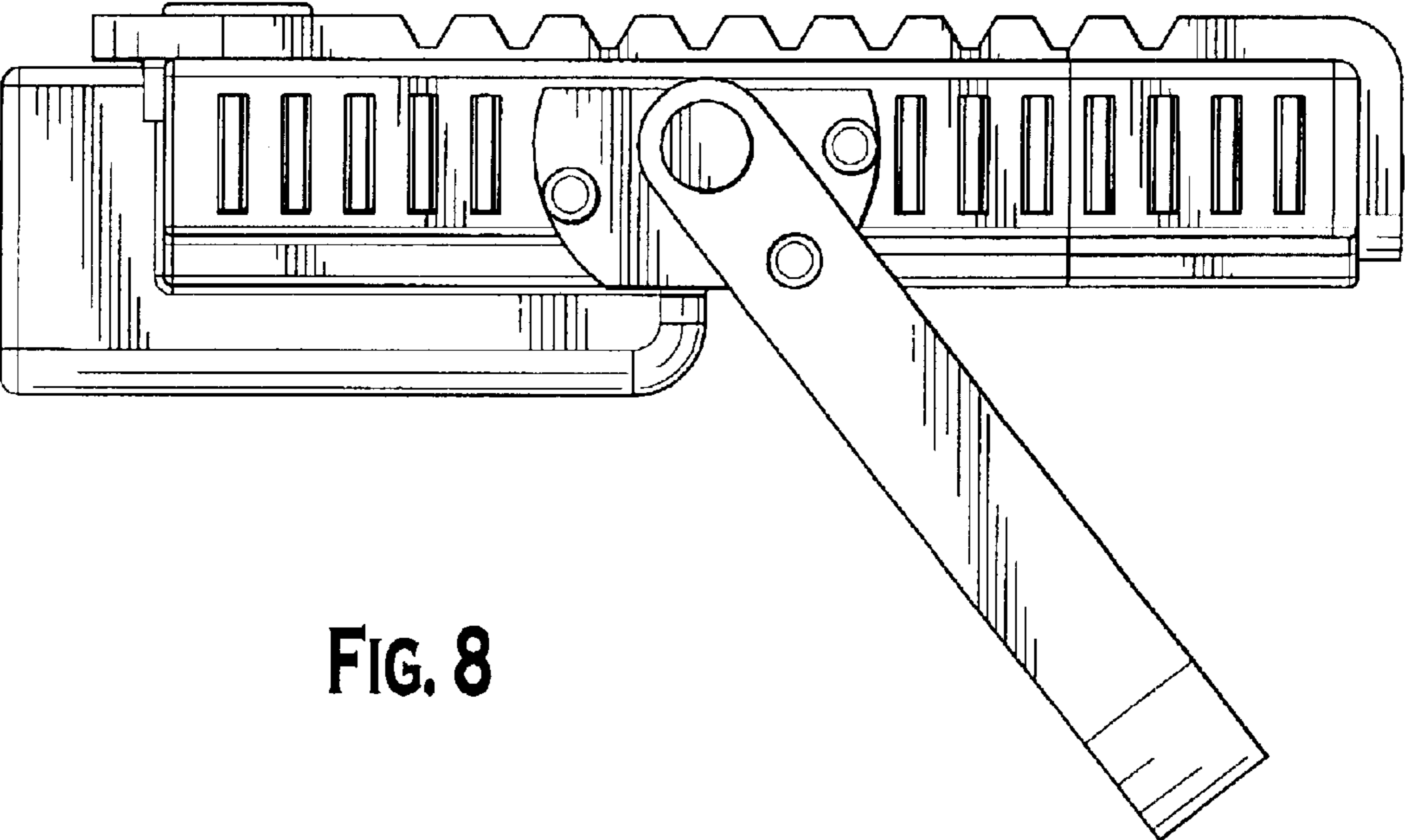
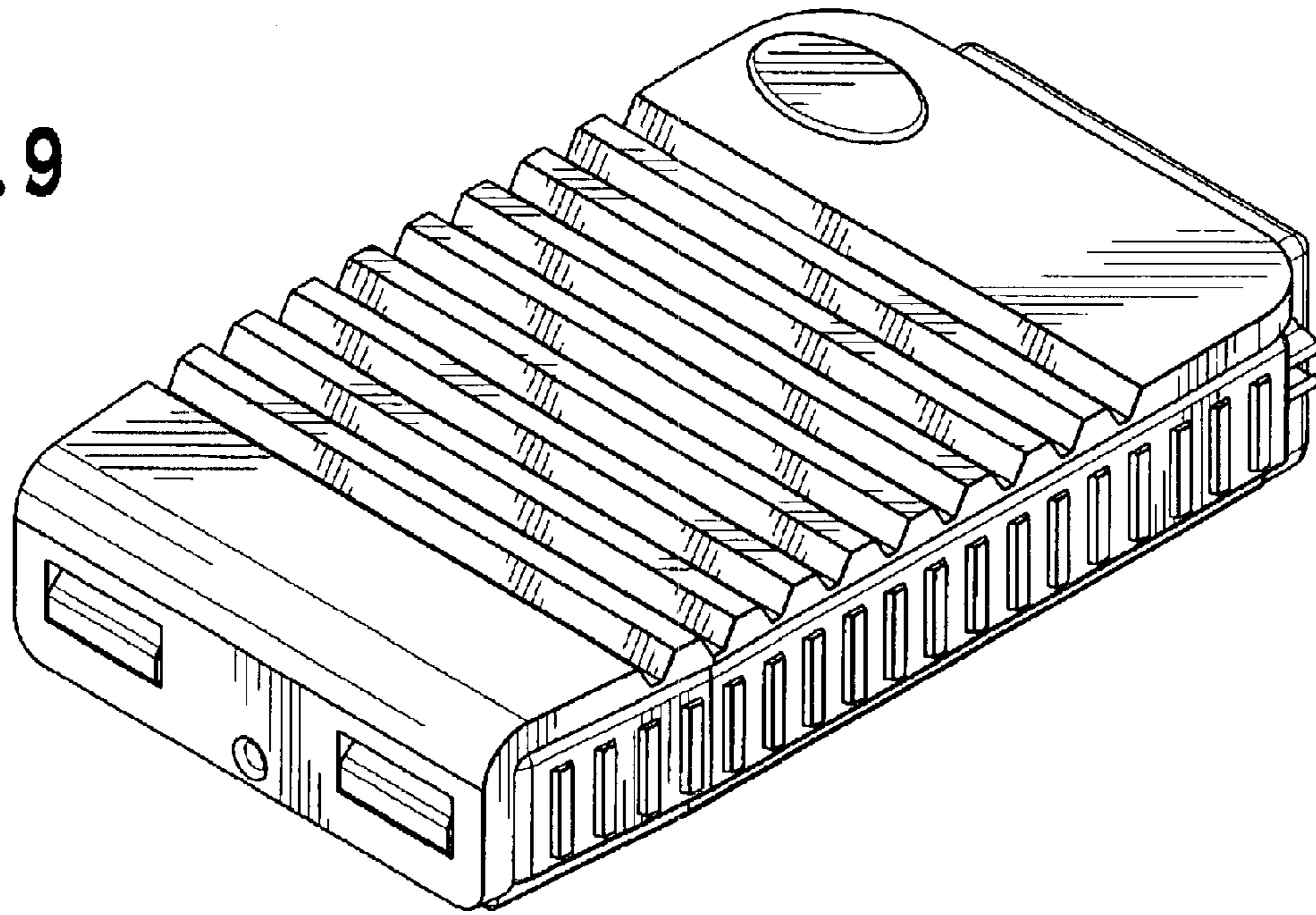
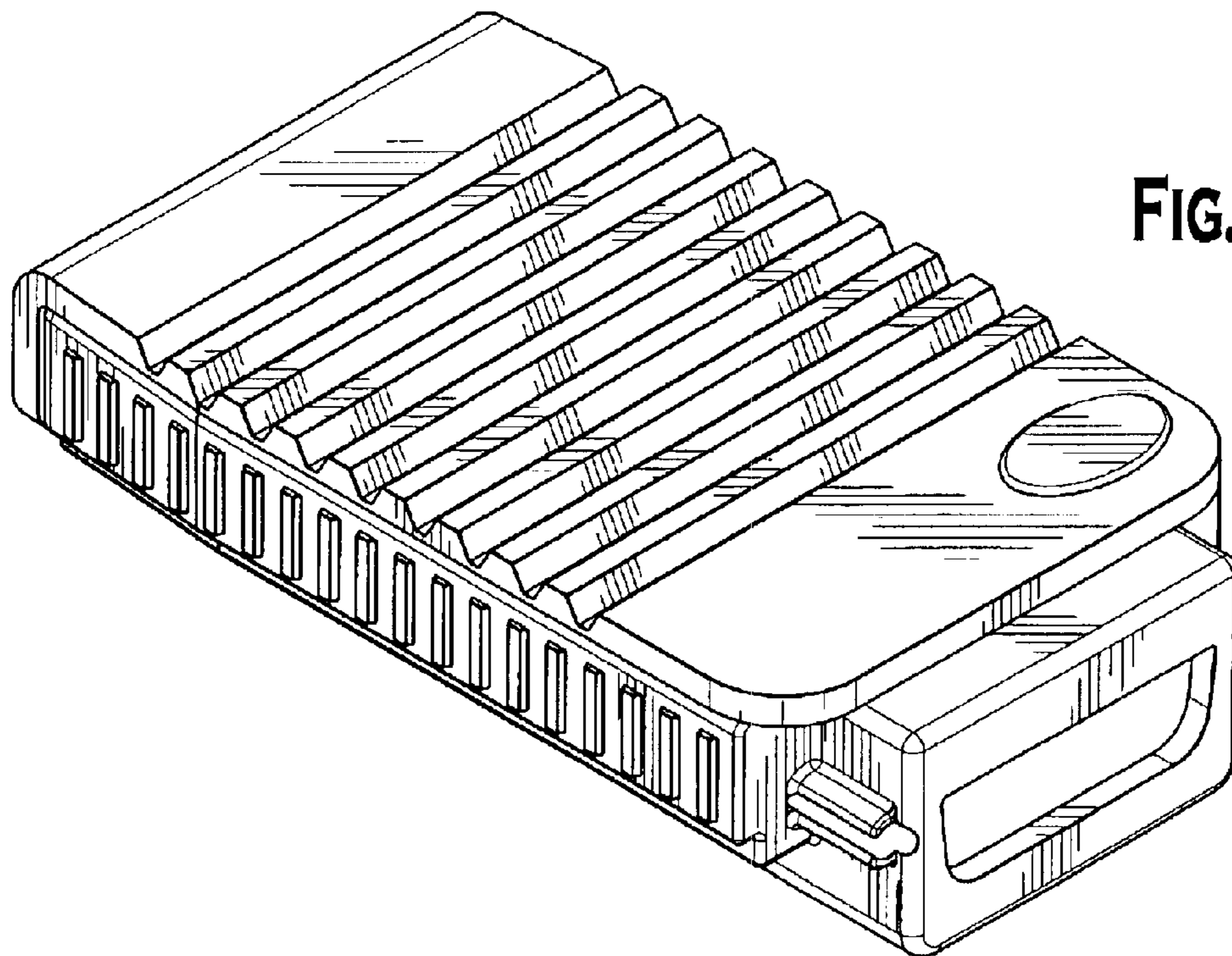


FIG. 8

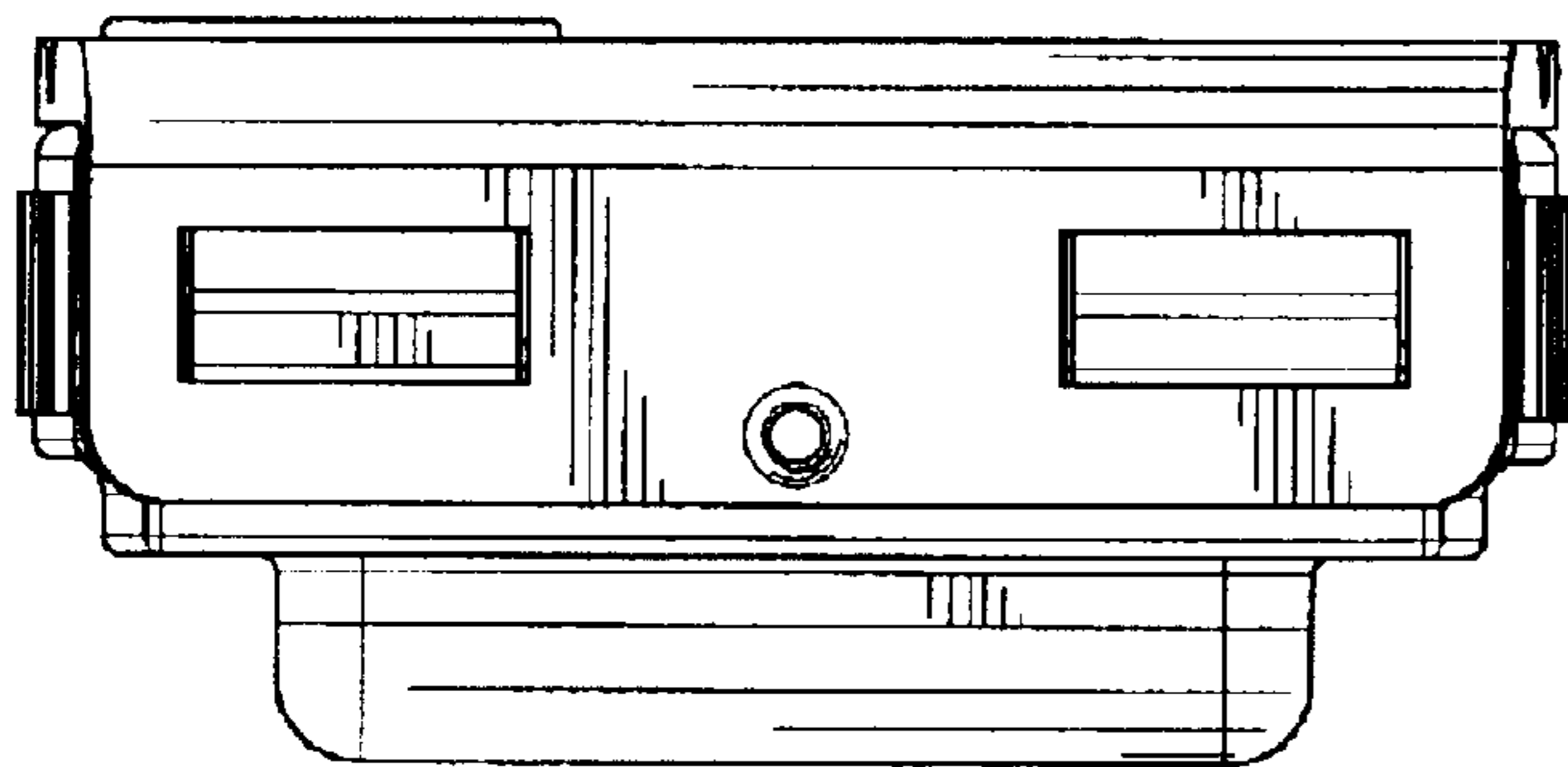
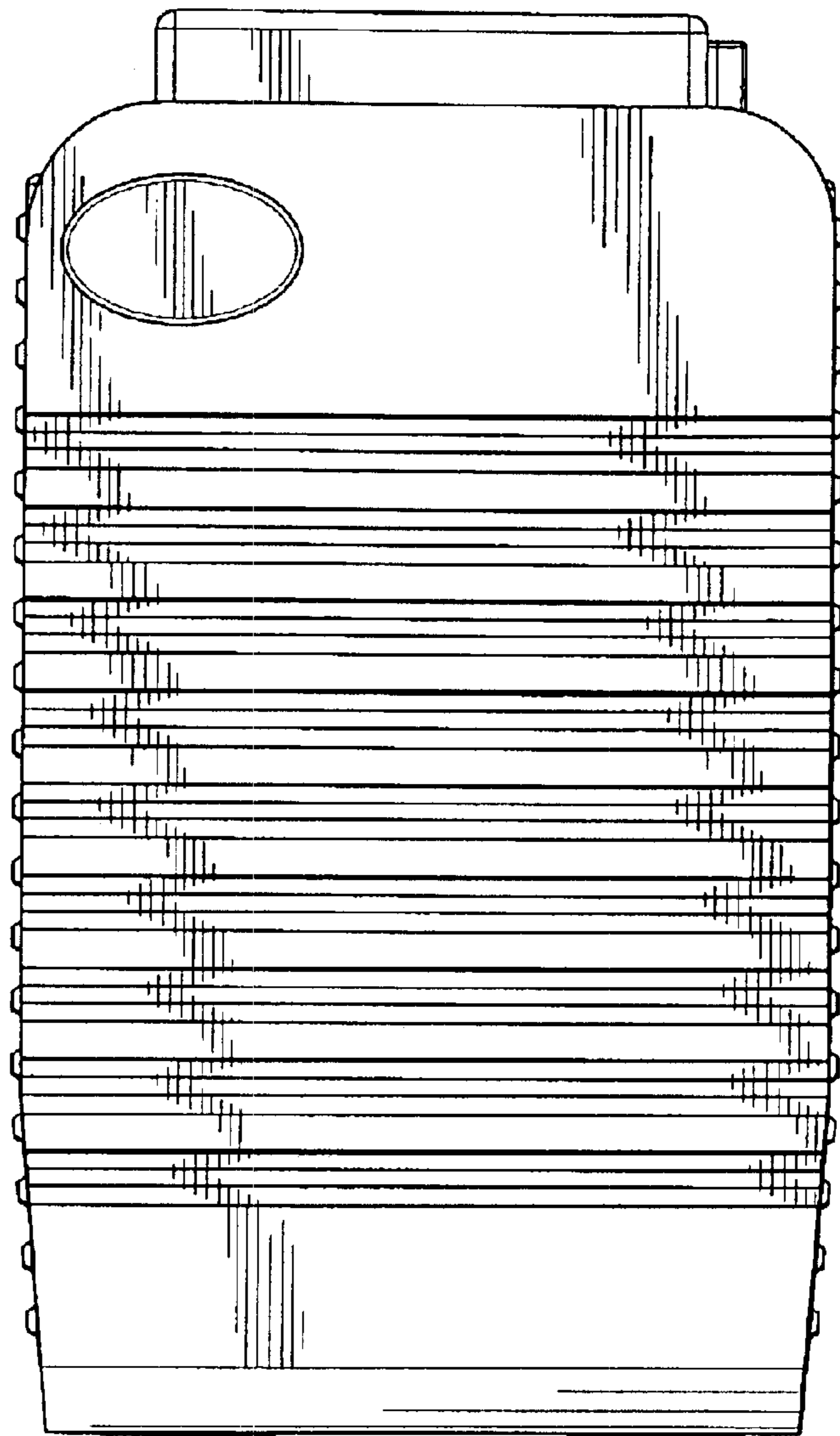
**FIG. 9**



**FIG. 10**

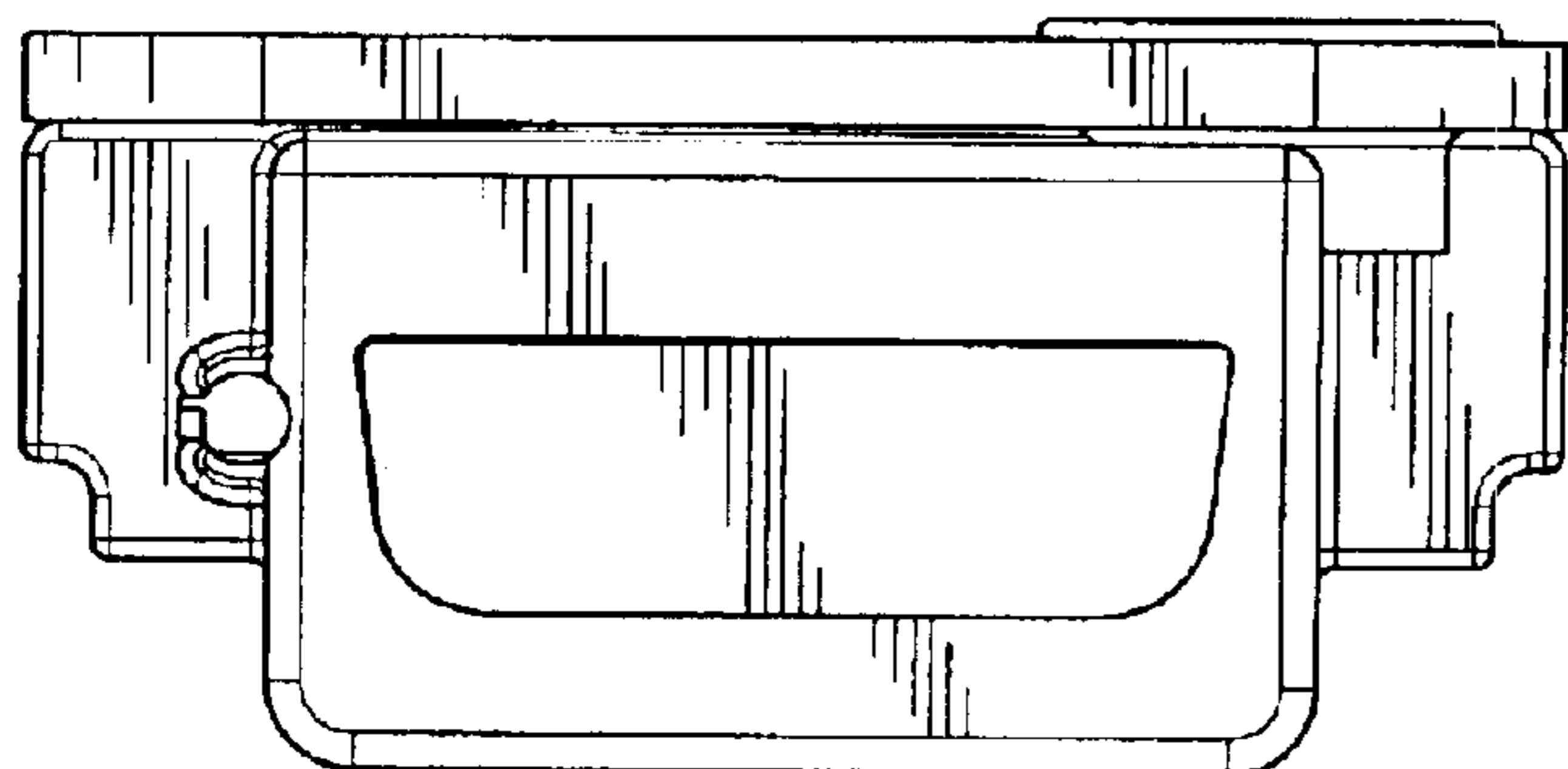
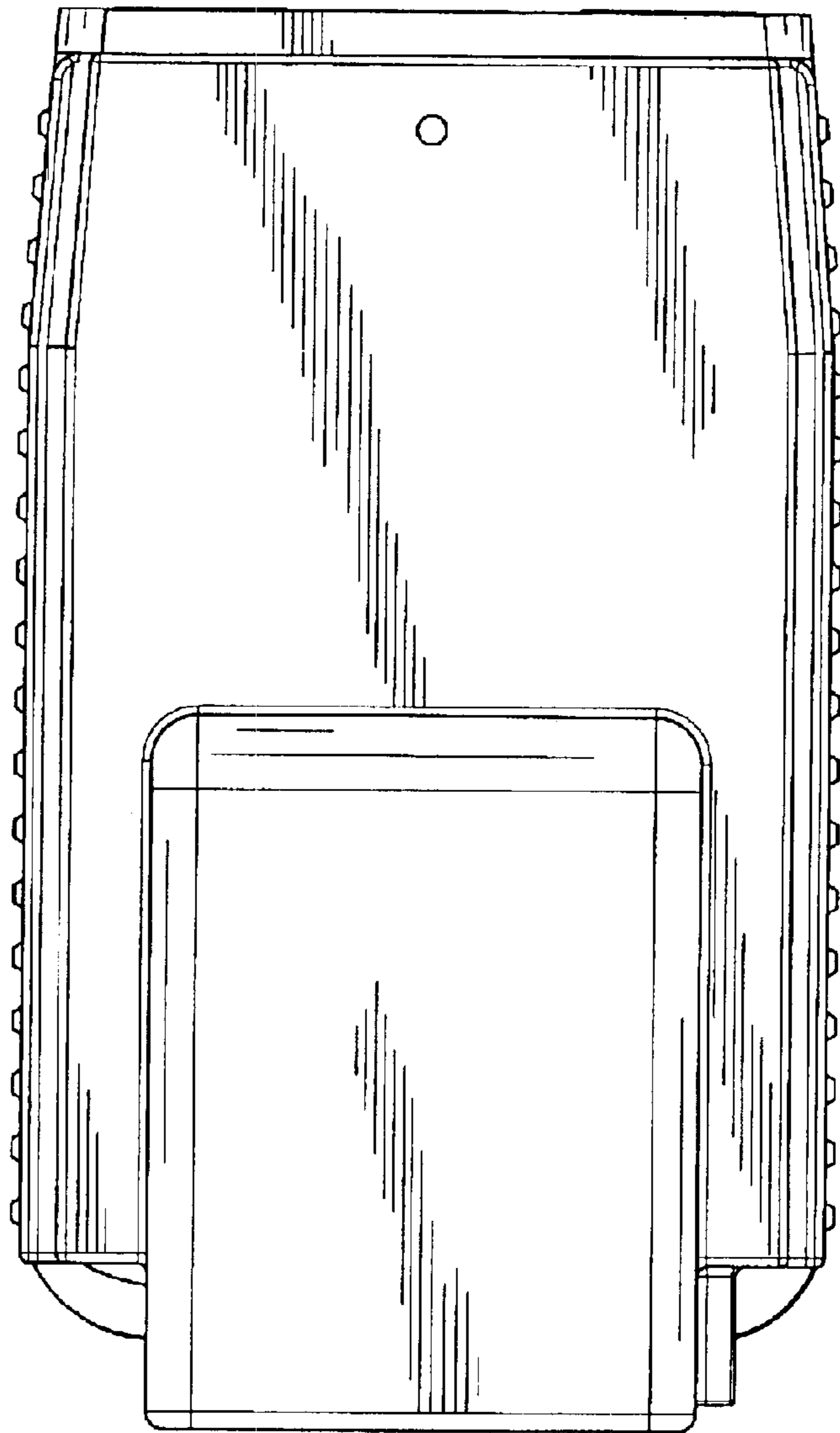


**FIG. 11**



**FIG. 12**

**FIG. 13**



**FIG. 14**



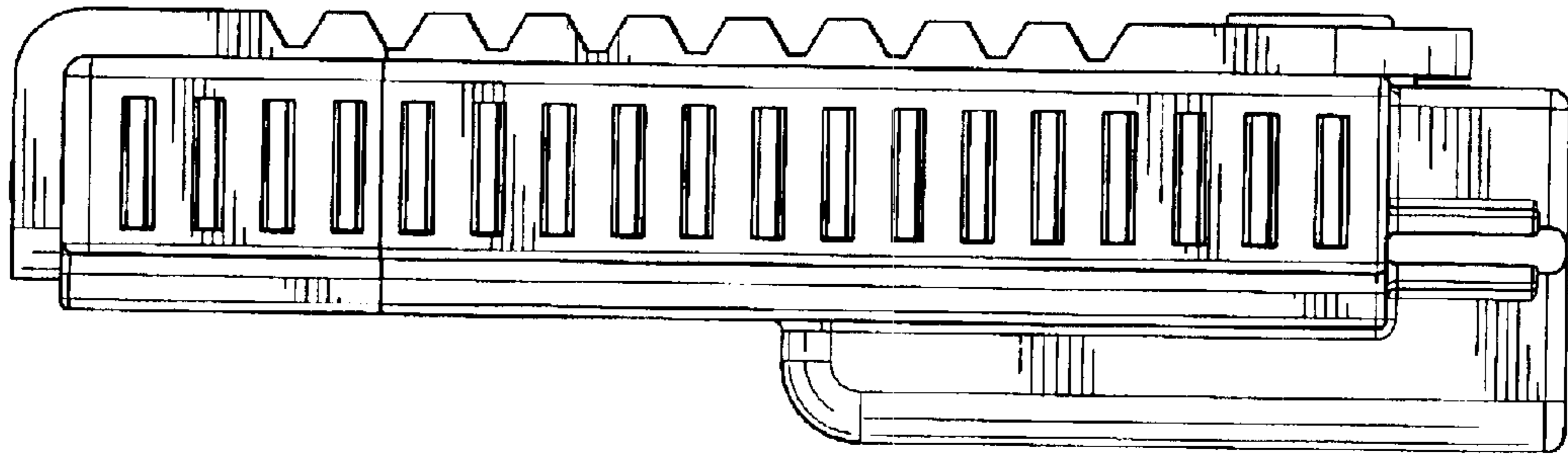


FIG. 15

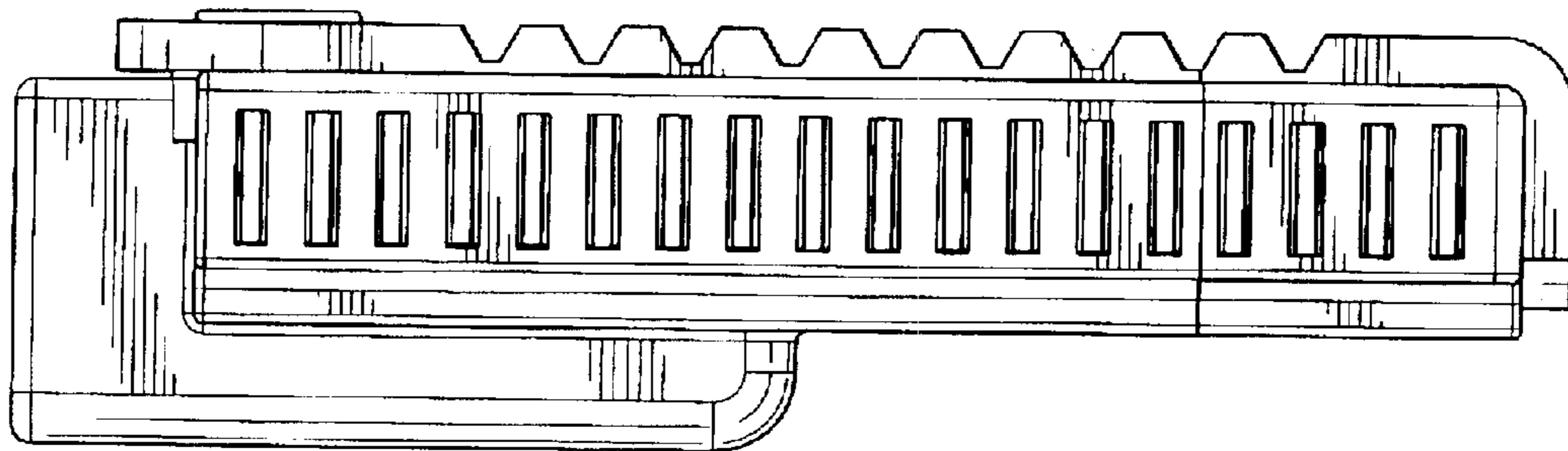


FIG. 16