

US00D497042S1

(12) **United States Design Patent**
Elrod

(10) **Patent No.:** **US D497,042 S**

(45) **Date of Patent:** **** Oct. 5, 2004**

(54) **BAGLESS UPRIGHT VACUUM CLEANER**

(75) **Inventor:** **Jeffrey M. Elrod, Lexington, KY (US)**

(73) **Assignee:** **Matsushita Electric Corporation of America, Secaucus, NJ (US)**

(**) **Term:** **14 Years**

(21) **Appl. No.:** **29/187,380**

(22) **Filed:** **Jul. 31, 2003**

(51) **LOC (7) Cl. 15-05**

(52) **U.S. Cl. D32/22**

(58) **Field of Search D32/25, 30-31, D32/17-18, 21-23; D30/158; D28/10; 15/344, 329, 347, 320, 350-353, 402, 361, 339; 55/DIG. 3, 472, 459.1, 429; 96/337**

(56) **References Cited**

U.S. PATENT DOCUMENTS

D314,072 S	*	1/1991	Shinozaki et al.	D32/22
D398,098 S		9/1998	Mehaffey et al.	
D413,187 S	*	8/1999	Wang et al.	D32/22
D415,324 S	*	10/1999	Wang et al.	D32/22
D416,114 S	*	11/1999	Mehaffey	D32/22

D418,265 S	*	12/1999	Farone et al.	D32/22
6,151,751 A		11/2000	McCormick et al.	
6,351,872 B1	*	3/2002	McCormick	15/334
D456,961 S	*	5/2002	Ng	D32/22
D465,075 S	*	10/2002	Wright et al.	D32/31
D487,323 S	*	3/2004	Leyden et al.	D32/22

* cited by examiner

Primary Examiner—Ruth McInroy

(74) *Attorney, Agent, or Firm*—King & Schickli, PLLC

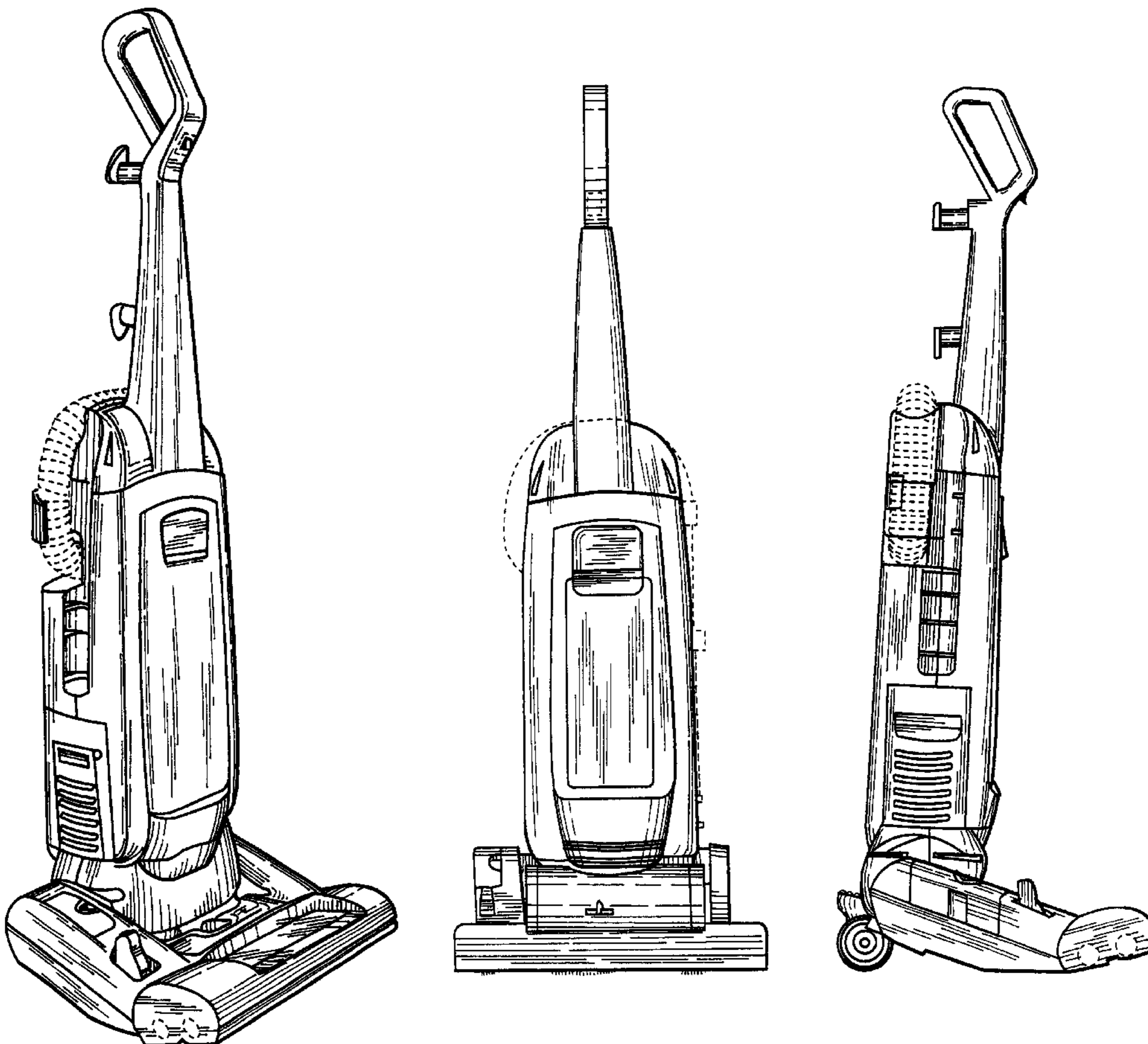
(57) **CLAIM**

The ornamental design for a bagless upright vacuum cleaner, as shown and described.

DESCRIPTION

FIG. 1 is a perspective view of a bagless upright vacuum cleaner showing my new design; FIG. 2 is a front elevational view thereof; FIG. 3 is a right side elevational view thereof; FIG. 4 is a rear elevational view thereof; FIG. 5 is a left side elevational view thereof; and, FIG. 6 is an enlarged top plan view thereof. The details shown in broken lines are for illustrative purposes only, and form no part of the claimed design.

1 Claim, 4 Drawing Sheets



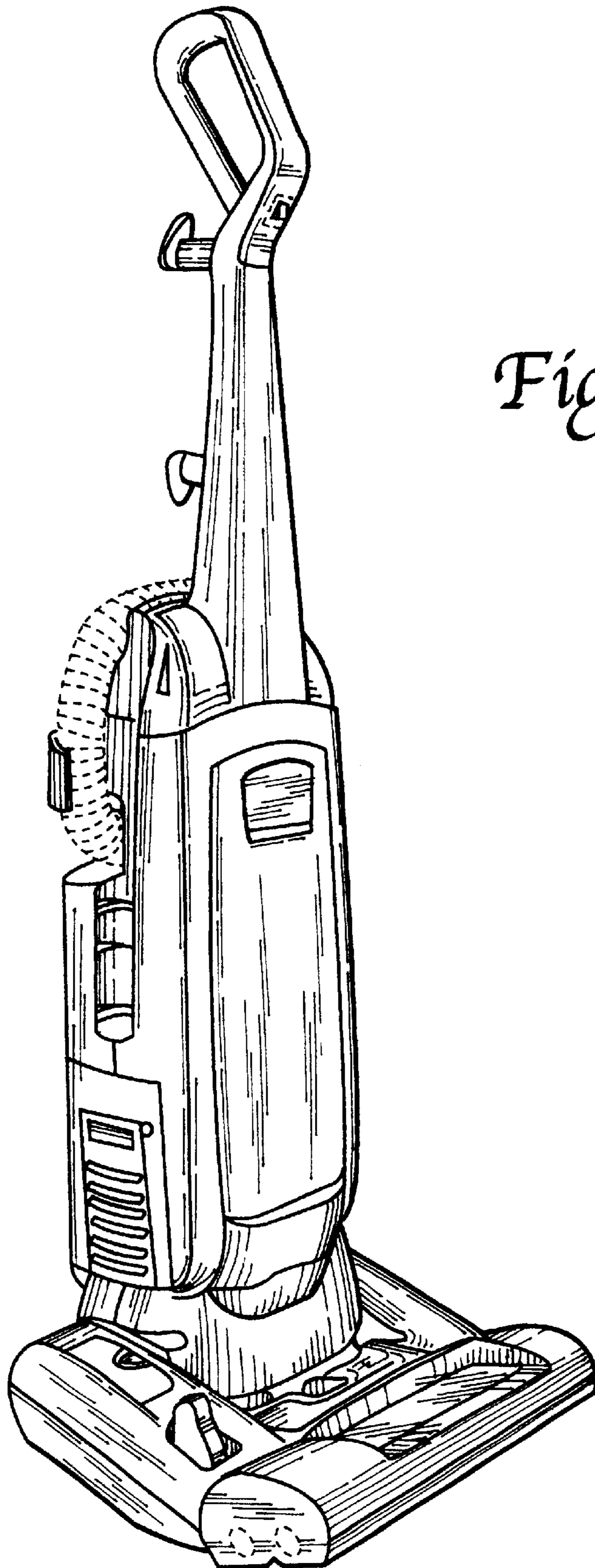


Fig. 1

Fig. 3

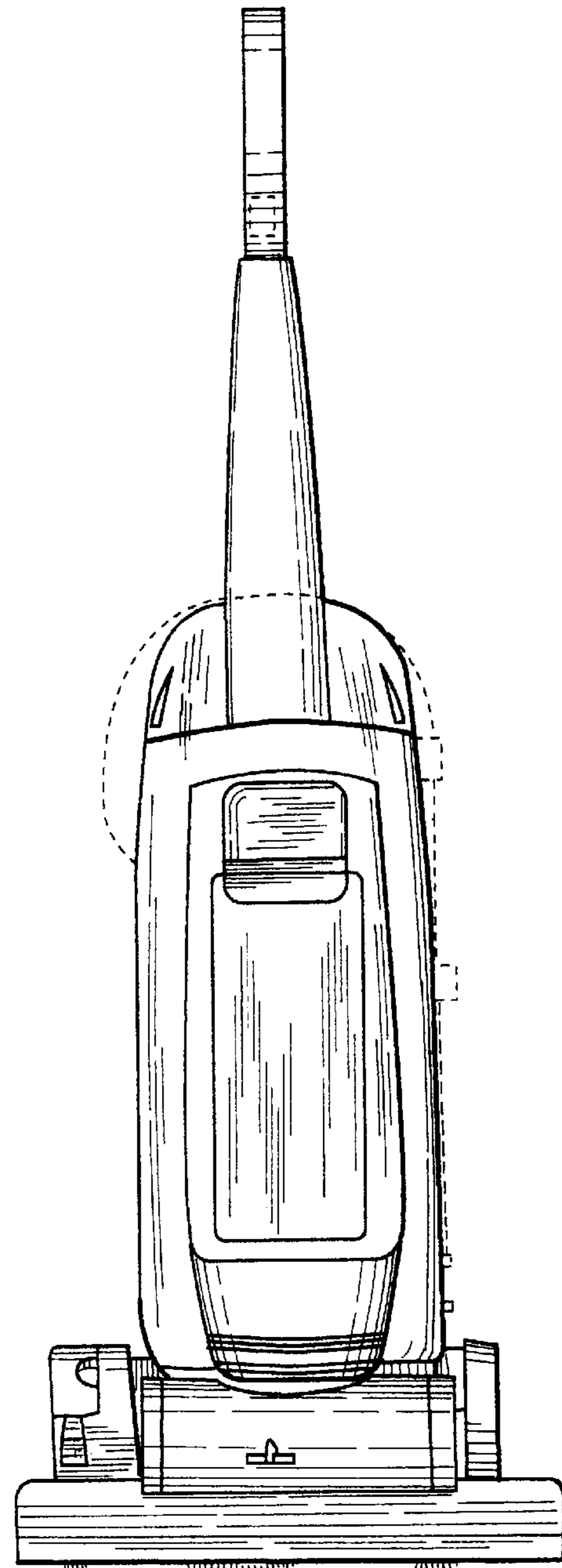
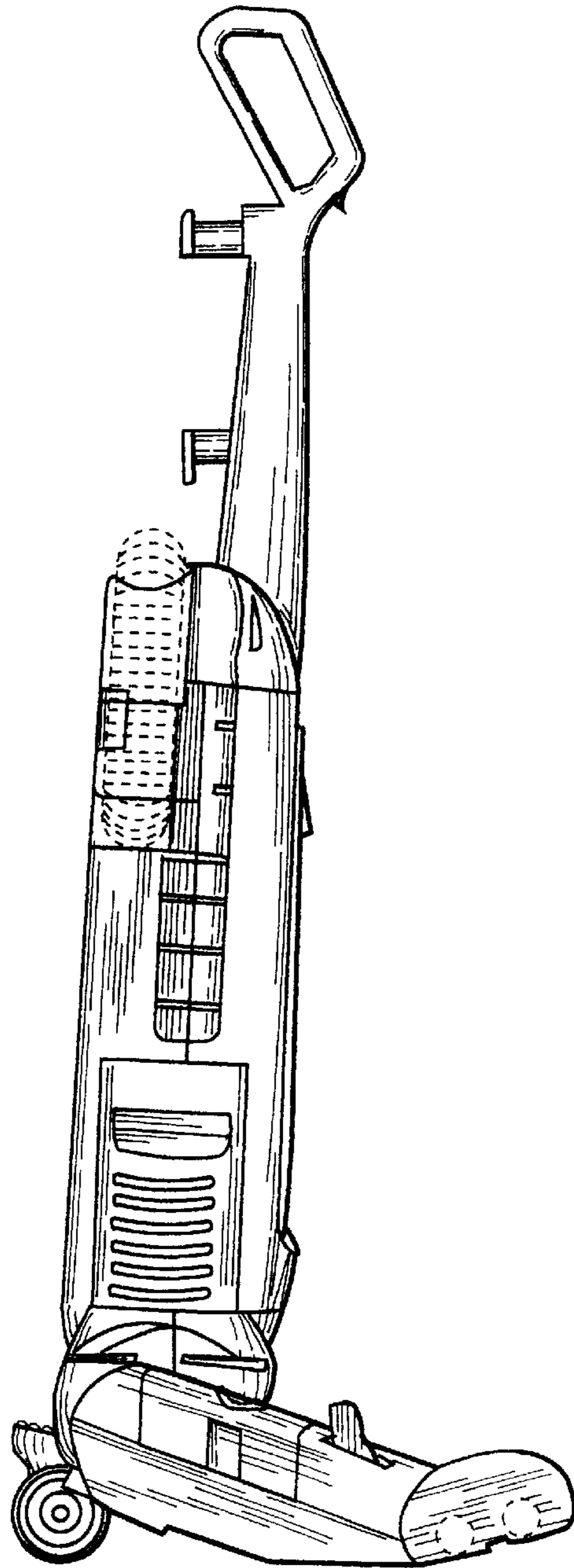


Fig. 2

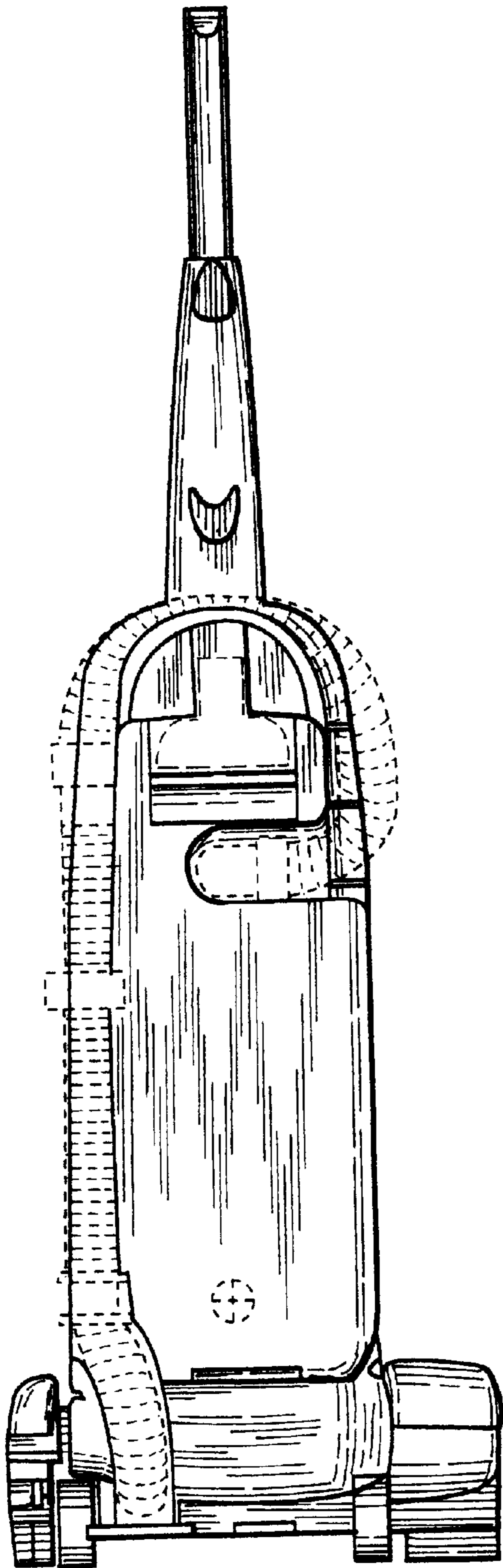


Fig. 4

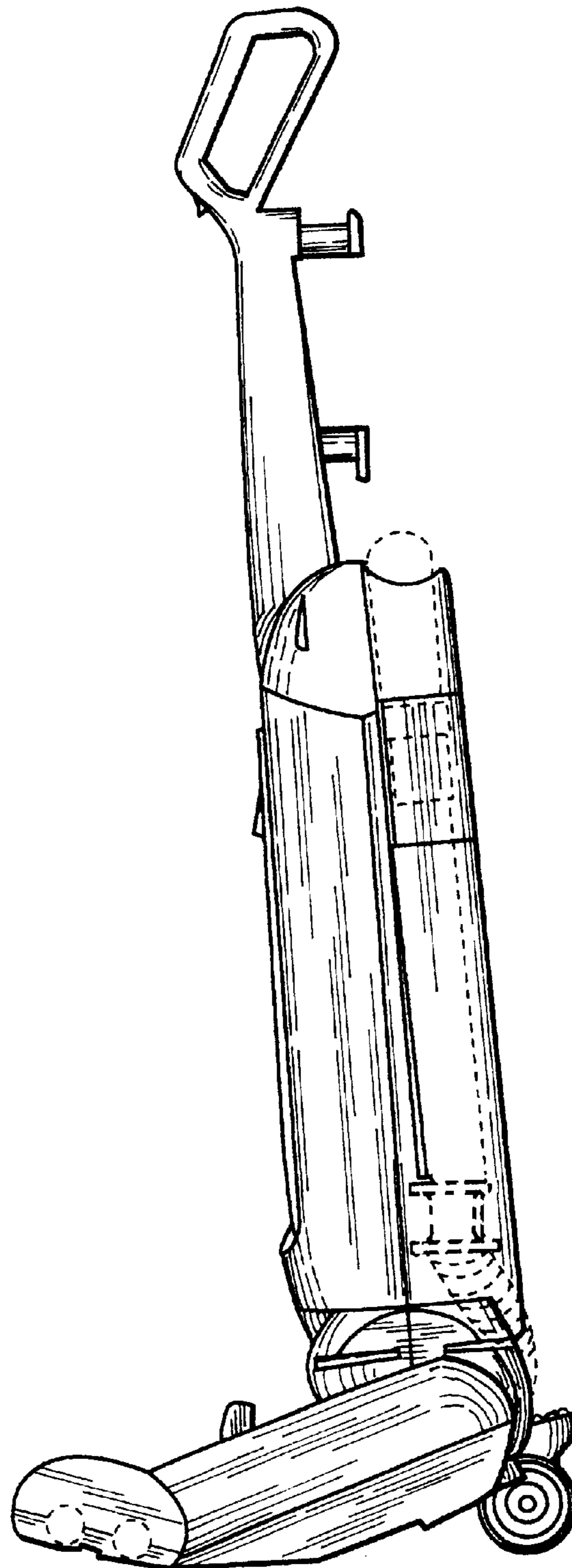


Fig. 5

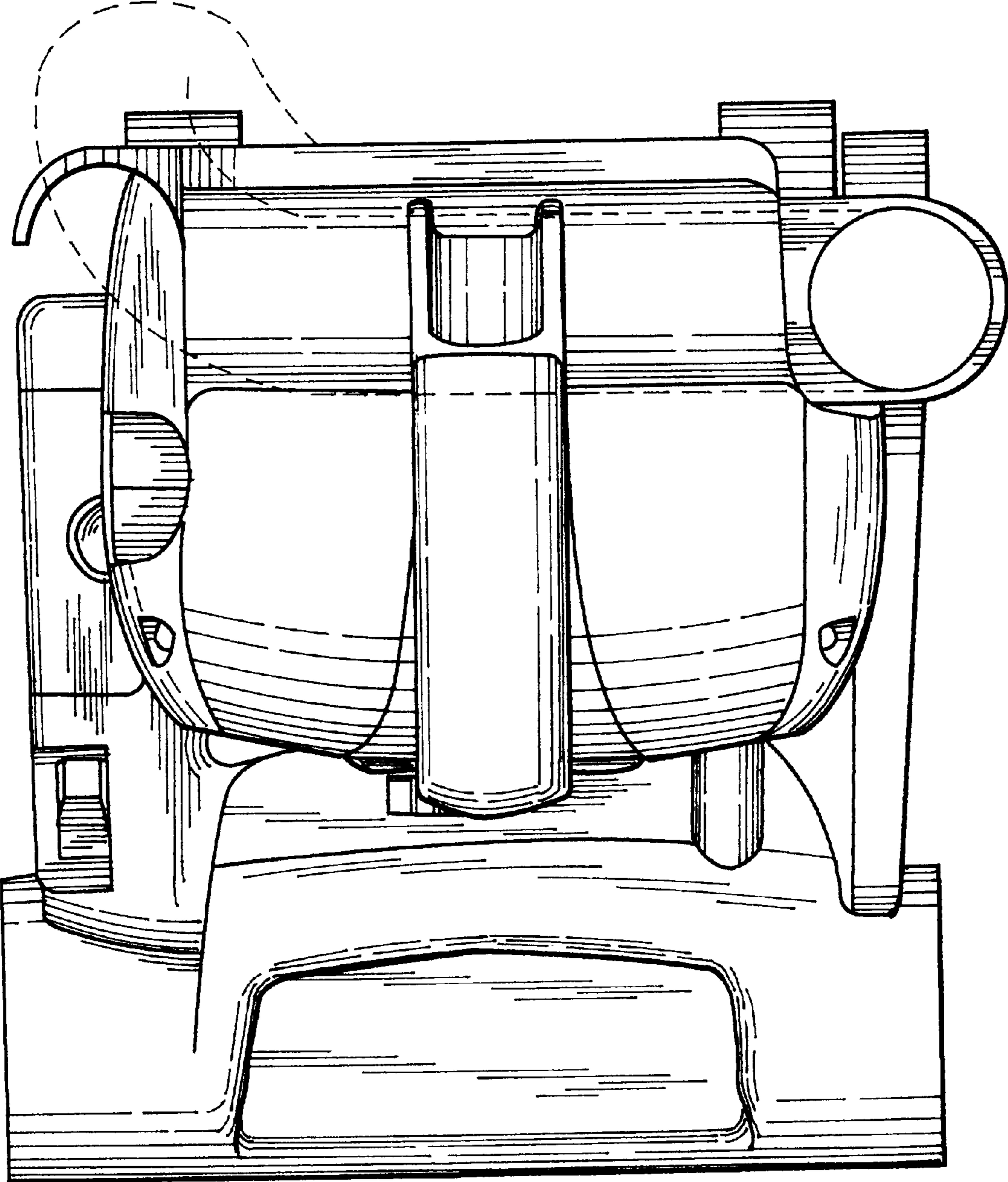


Fig. 6