

US00D497031S1

(12) **United States Design Patent**  
**Leddusire**

(10) **Patent No.:** **US D497,031 S**

(45) **Date of Patent:** **\*\* Oct. 5, 2004**

(54) **TABLE LAMP**

(76) **Inventor:** **Ron Leddusire**, c/o Dolan Northwest, LLC, 1919 NW, 19<sup>th</sup> Ave., Portland, OR (US) 97209

(\*\*) **Term:** **14 Years**

(21) **Appl. No.:** **29/179,783**

(22) **Filed:** **Apr. 14, 2003**

(51) **LOC (7) Cl.** ..... **26-03**

(52) **U.S. Cl.** ..... **D26/111**

(58) **Field of Search** ..... D26/93-112, 142;  
362/410-414, 806; 258/158

(56) **References Cited**

**PUBLICATIONS**

- Fine Arts, Miami Lakes, FL, 1999 p. 68 Model 618534.
- Cambridge Lamps, Hialeah, FL, 1996 p. A-1 Model 6124.
- Fine Arts, Hialeah, FL, 1994, p. 0-4 Model 463930.
- Stiffel, Chicago, IL, 1997 p. 33 Model 8621 F.

Stiffel, Chicago, IL, 1997 p. 69 Model 7014.  
Kenroy Jacksonville, FL, 2001 p. 49 Model 302771 G.

*Primary Examiner*—Alan P. Douglas  
*Assistant Examiner*—Linda Brooks

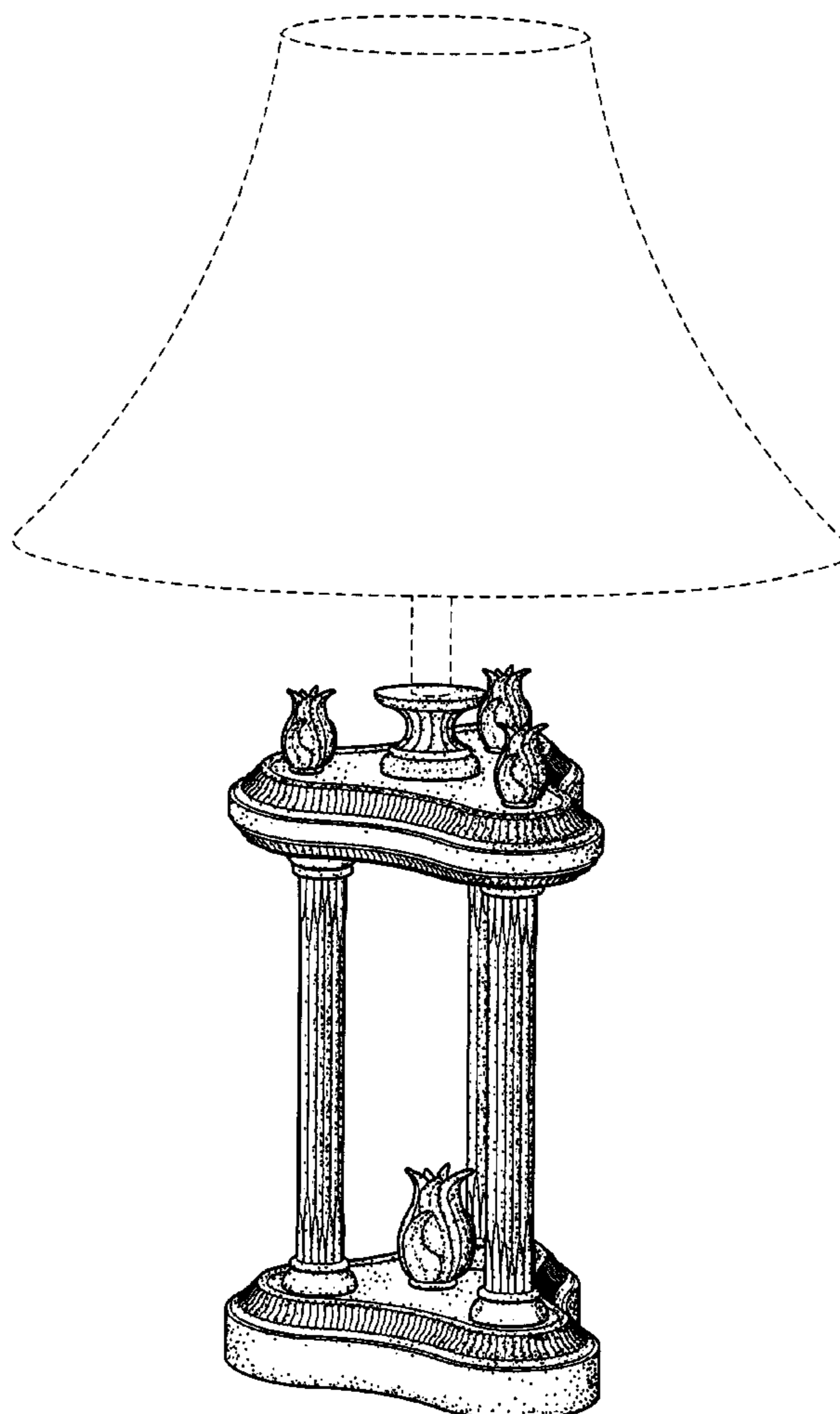
(57) **CLAIM**

The ornamental design for a table lamp, as shown and described.

**DESCRIPTION**

FIG. 1 is a perspective view thereof;  
FIG. 2 is a full front elevational view thereof;  
FIG. 3 is a right side view thereof;  
FIG. 4 is a left side view thereof;  
FIG. 5 is a back plan view thereof;  
FIG. 6 is a top plan view thereof; and,  
FIG. 7 is a bottom plan view.  
The broken line showing of environmental structure in FIGS. 1-7 is for illustrative purposes only and forms no part of the claimed design.

**1 Claim, 7 Drawing Sheets**



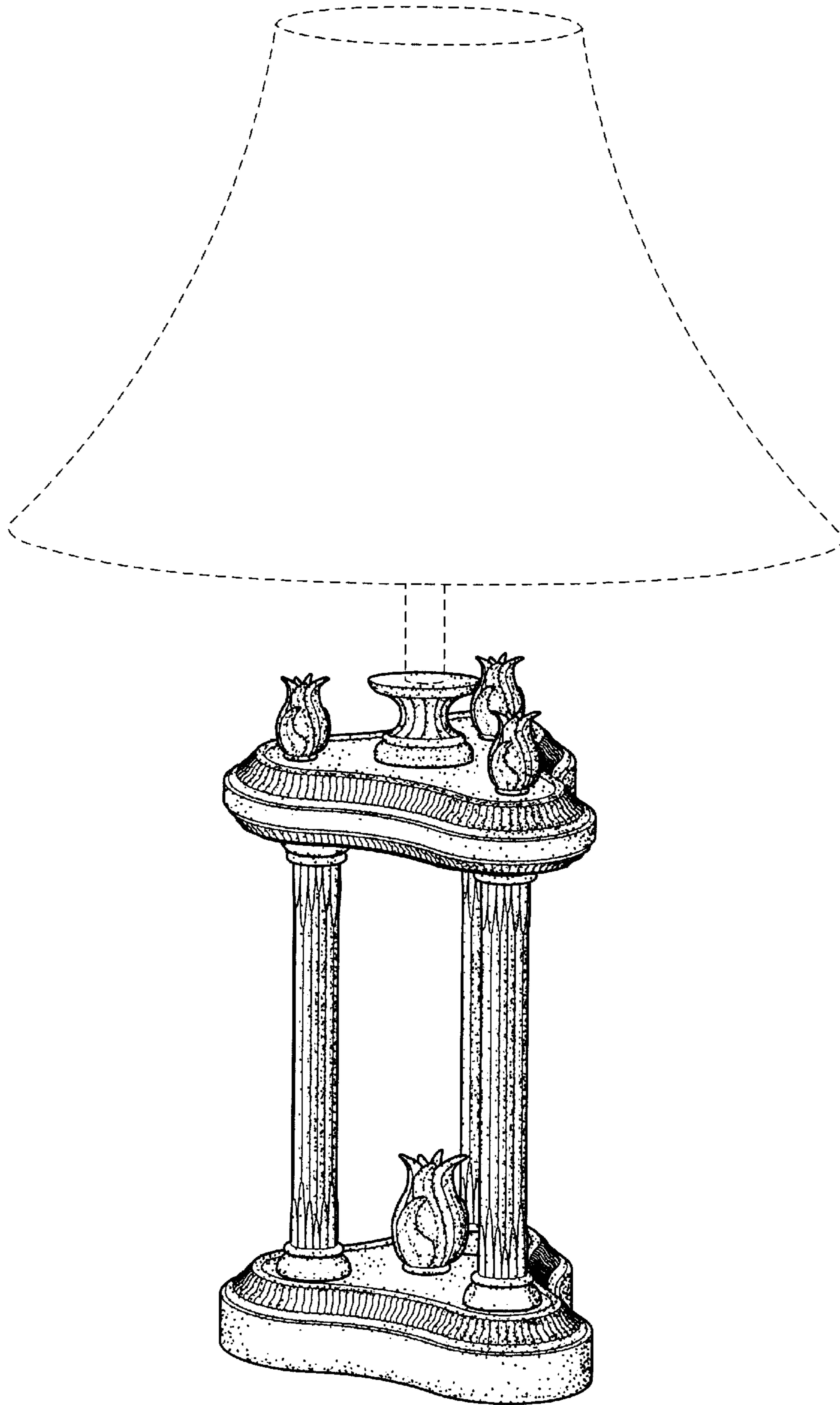


FIG. 1

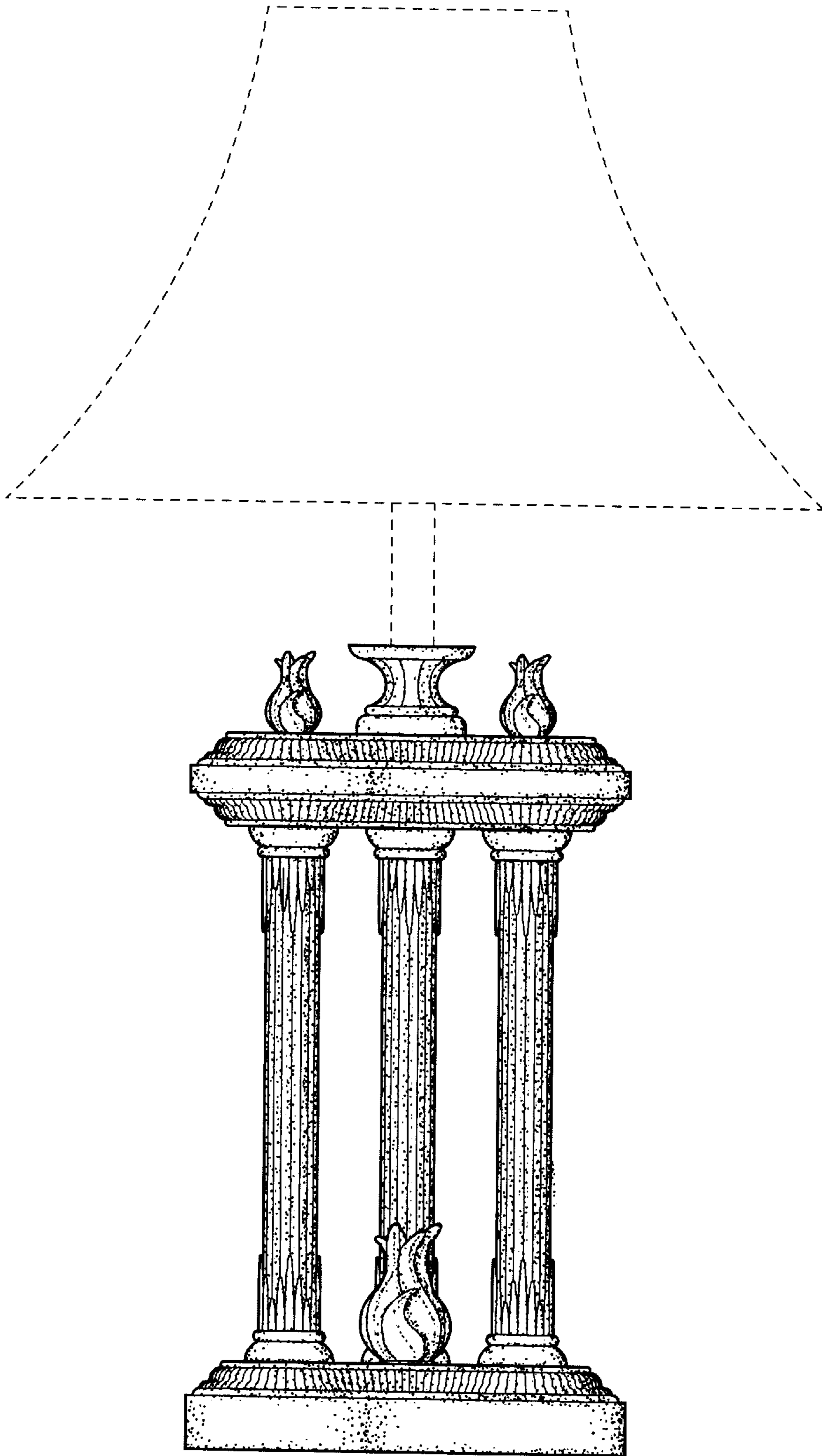


FIG. 2

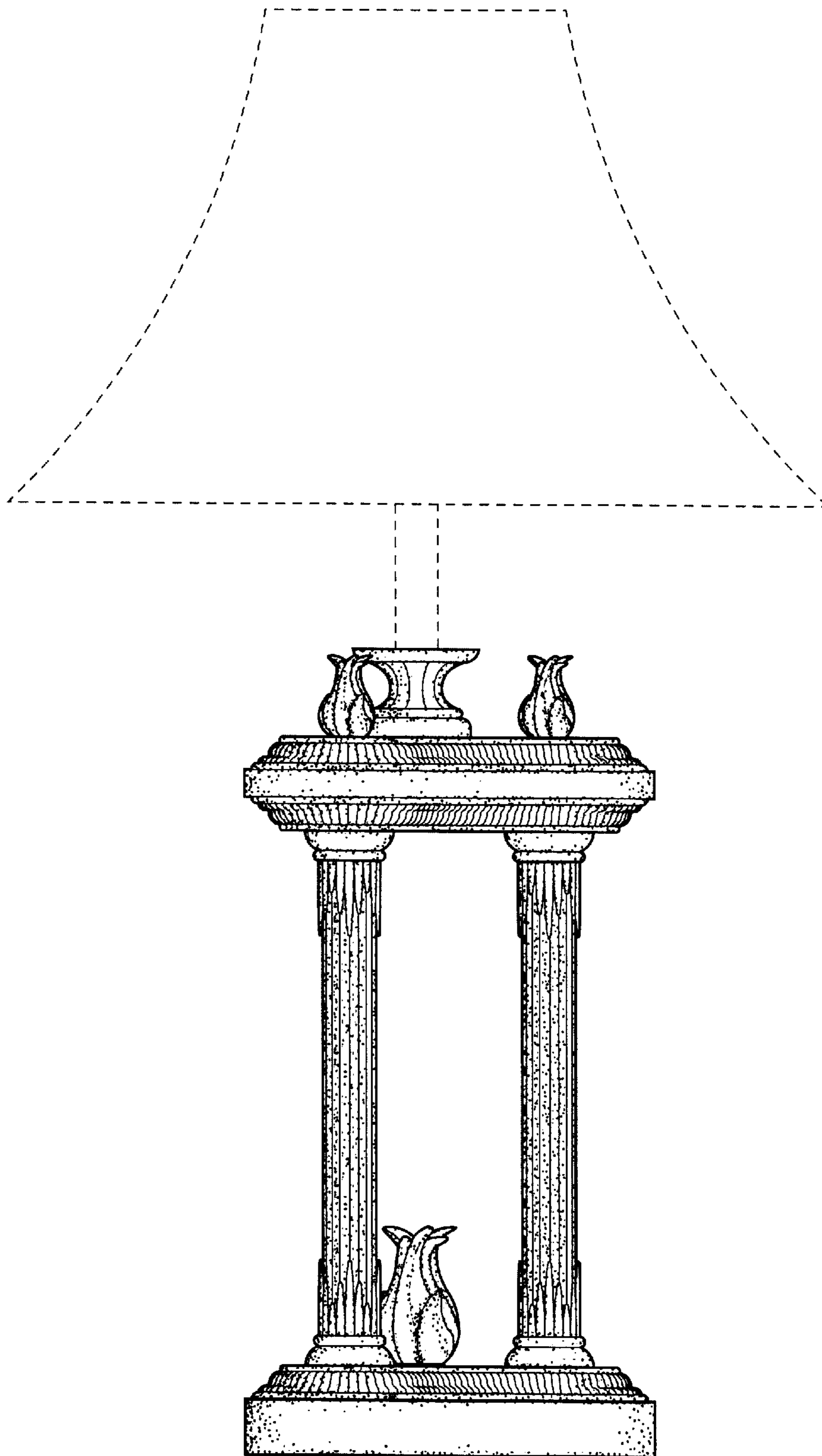


FIG. 3

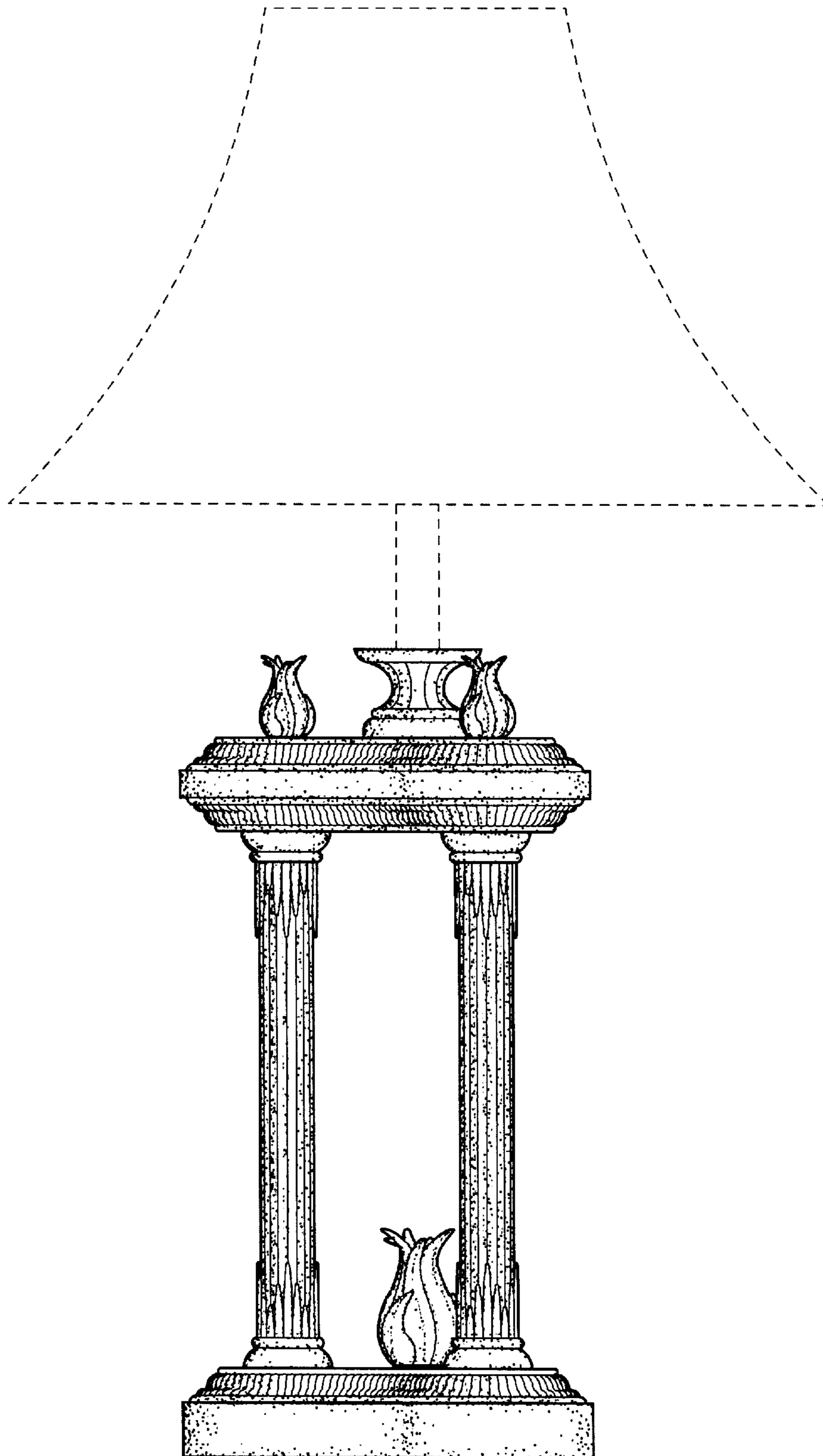


FIG. 4

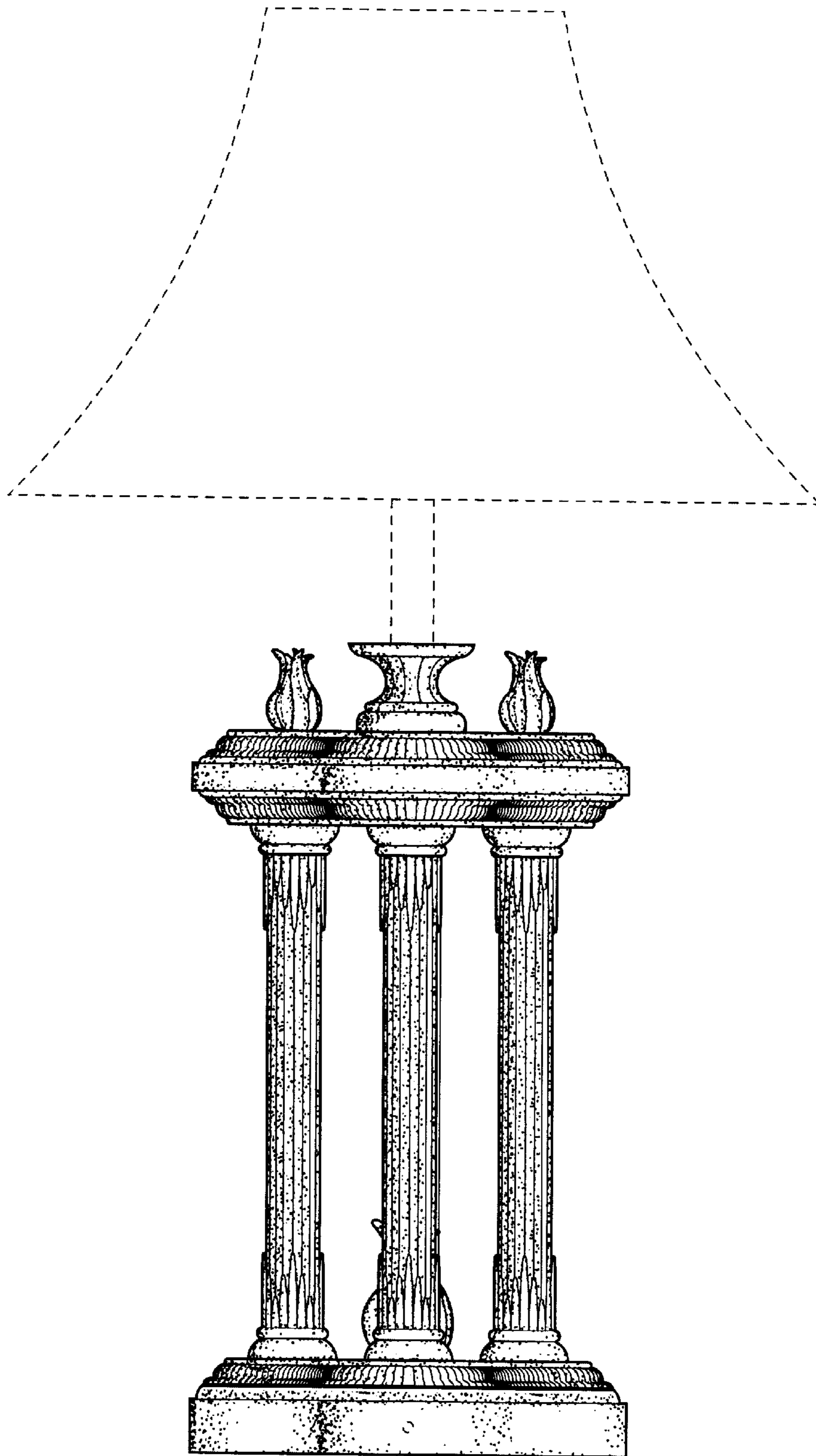


FIG. 5

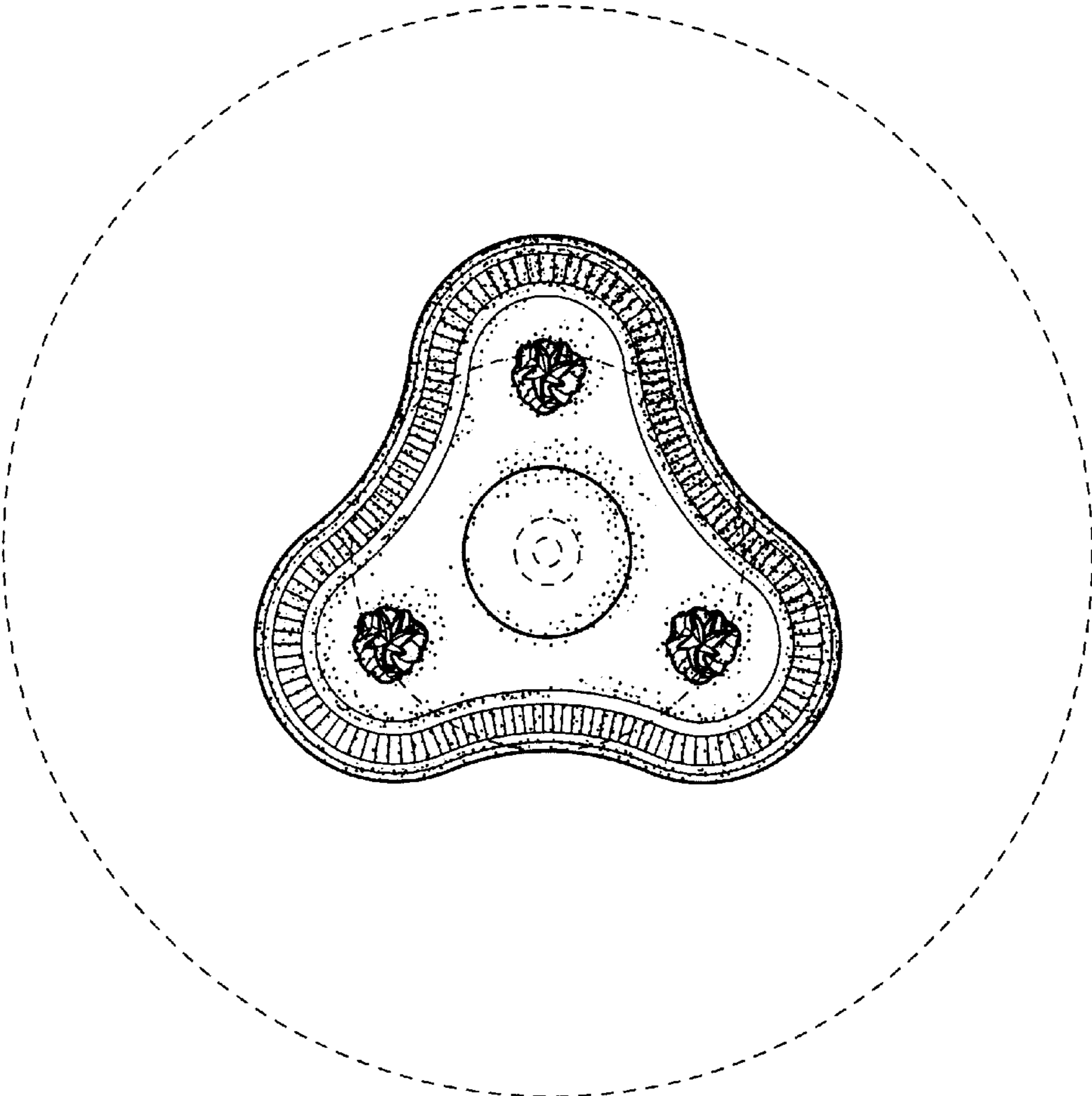


FIG. 6

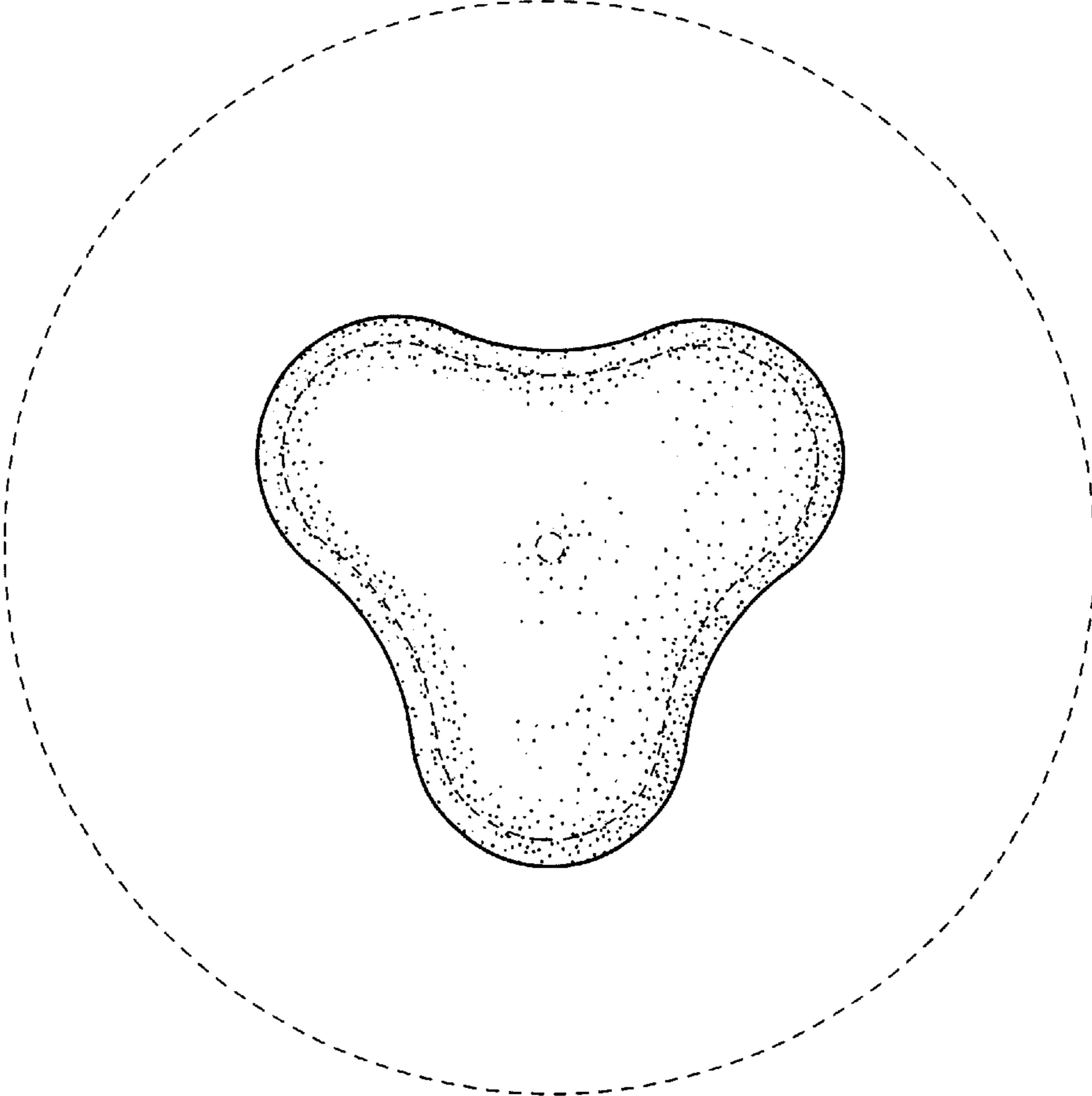


FIG. 7