

US00D497029S1

(12) **United States Design Patent** (10) **Patent No.:** **US D497,029 S**
Leddusire (45) **Date of Patent:** **** Oct. 5, 2004**

(54) **TABLE LAMP**

(76) Inventor: **Ron Leddusire**, c/o Dolan Northwest, LLC, 1919 NW, 19th Ave., Portland, OR (US) 97209

(**) Term: **14 Years**

(21) Appl. No.: **29/179,793**

(22) Filed: **Apr. 14, 2003**

(51) **LOC (7) Cl.** **26-03**

(52) **U.S. Cl.** **D26/110**

(58) **Field of Search** D26/93-112, 142; 362/410-414, 806; 248/158

(56) **References Cited**

U.S. PATENT DOCUMENTS

D46,337 S	9/1914	Gothberg	
D49,063 S	5/1916	Lau	
D50,504 S	3/1917	Barrows et al.	
D63,125 S	* 10/1923	Steffen	D26/110
D430,700 S	9/2000	Dolan	
D451,235 S	11/2001	Dolan	
D482,488 S	* 11/2003	Holman	D26/110

OTHER PUBLICATIONS

Fine Art Lamps Hialeah, FL 1996 p. S-24 Model 619310-2.
 Cambridge Lamps Hialeah, FL 1997 p. 47 Model 3421.
 Murray Feiss Bronx NY p. LP-2, 1998 Model 8678 B2/FS.
 Stiffel Chicago, IL 1997 p. 149 Model 7127.
 Westwood by Kichler Cleveland, OH 1999 p. 28 Model 4490-573.
 Design Trends El Dorado Hills, CA 2001 p. 12 Model 3740-88.
 Design Trends El Dorado Hills, CA 2000, p. 62 Model DT 3264-30.

Stiffel Chicago, IL 1997, p. 33 Model 8621 F.
 Stiffel Chicago, IL 1997, p. 69 Model 7014.
 Lumenesque Burlington, WA 1997 p. 01 Model 4001.
 Lumenesque Burlington, WA 1997 p. 37 Model 4037.
 Lumenesque Burlington, WA 1997 p. 20 Model 4020.
 Able Castings Chicago, IL 1999, Photo Model 131.
 Kichler Cleveland, OH 1999 p. 31 Model 4317-851.
 Murray Feiss Bronx NY Cat. LPI-99, 1999 p. LP-89 Model A134PW.
 Cambridge Lamps Hialeah FL.—seen in Residential Lighting Mag. Mar. 1998 p. 19.
 Fairlane Lighting seen in Home Lighting & Accessories Mag. Dec. 1997 p. 60.
 Artcraft Champlain, NY 1997, p. 19 Model AC 7516.
 Fine Arts Hialeah, FL 1995, p. P-20 Model 507534.

* cited by examiner

Primary Examiner—Alan P. Douglas

Assistant Examiner—Linda Brooks

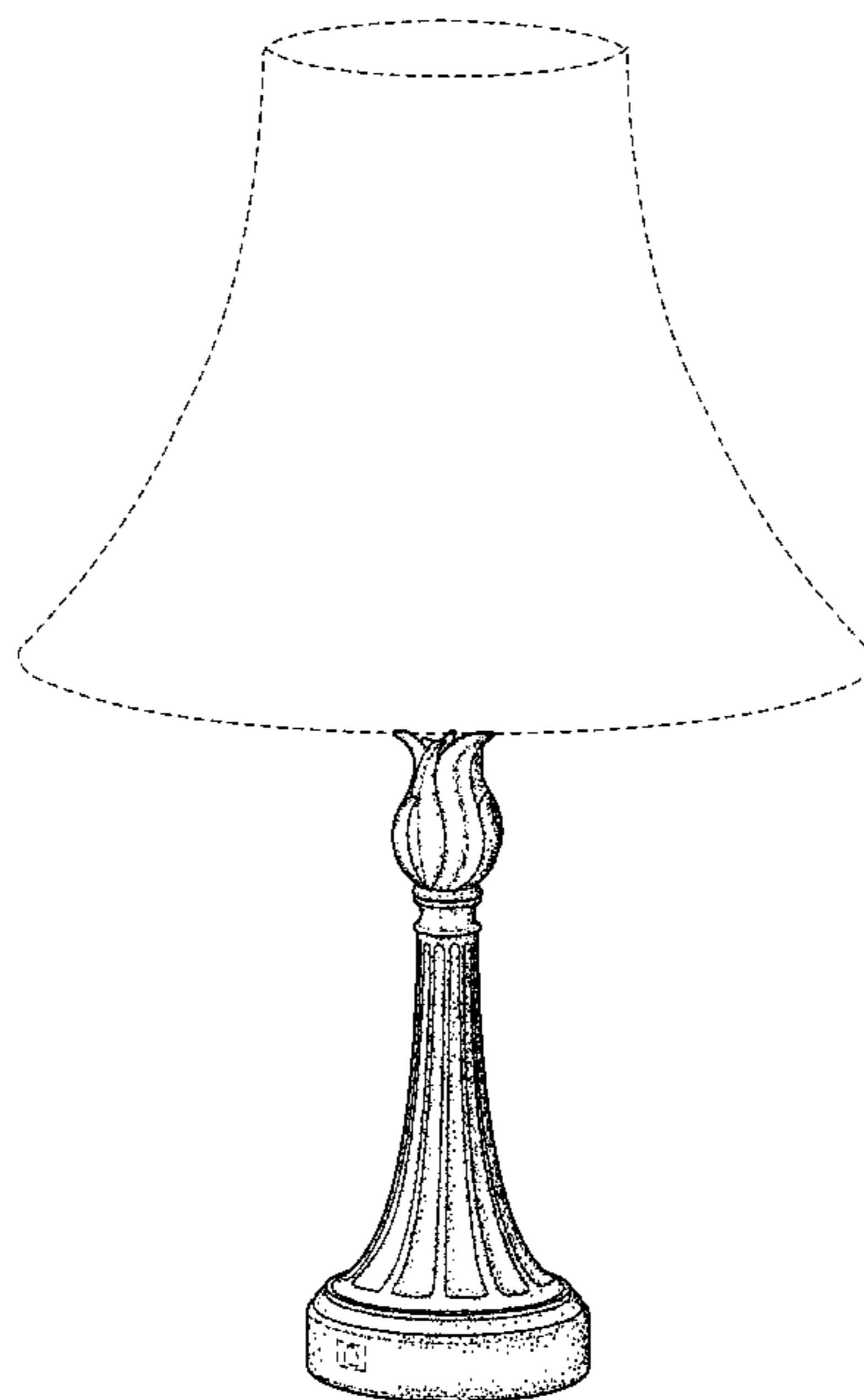
(57) **CLAIM**

The ornamental design for a table lamp, as shown and described.

DESCRIPTION

FIG. 1 is a perspective view thereof;
 FIG. 2 is a full front elevational view thereof;
 FIG. 3. is a right side view thereof;
 FIG. 4. is a left side view thereof;
 FIG. 5. is a back plan view thereof;
 FIG. 6 is a top plan view thereof; and,
 FIG. 7 is a bottom plan view.
 The broken line showing of environmental structure in FIGS. 1-7 is for illustrative purposes only and forms no part of the claimed design.

1 Claim, 7 Drawing Sheets



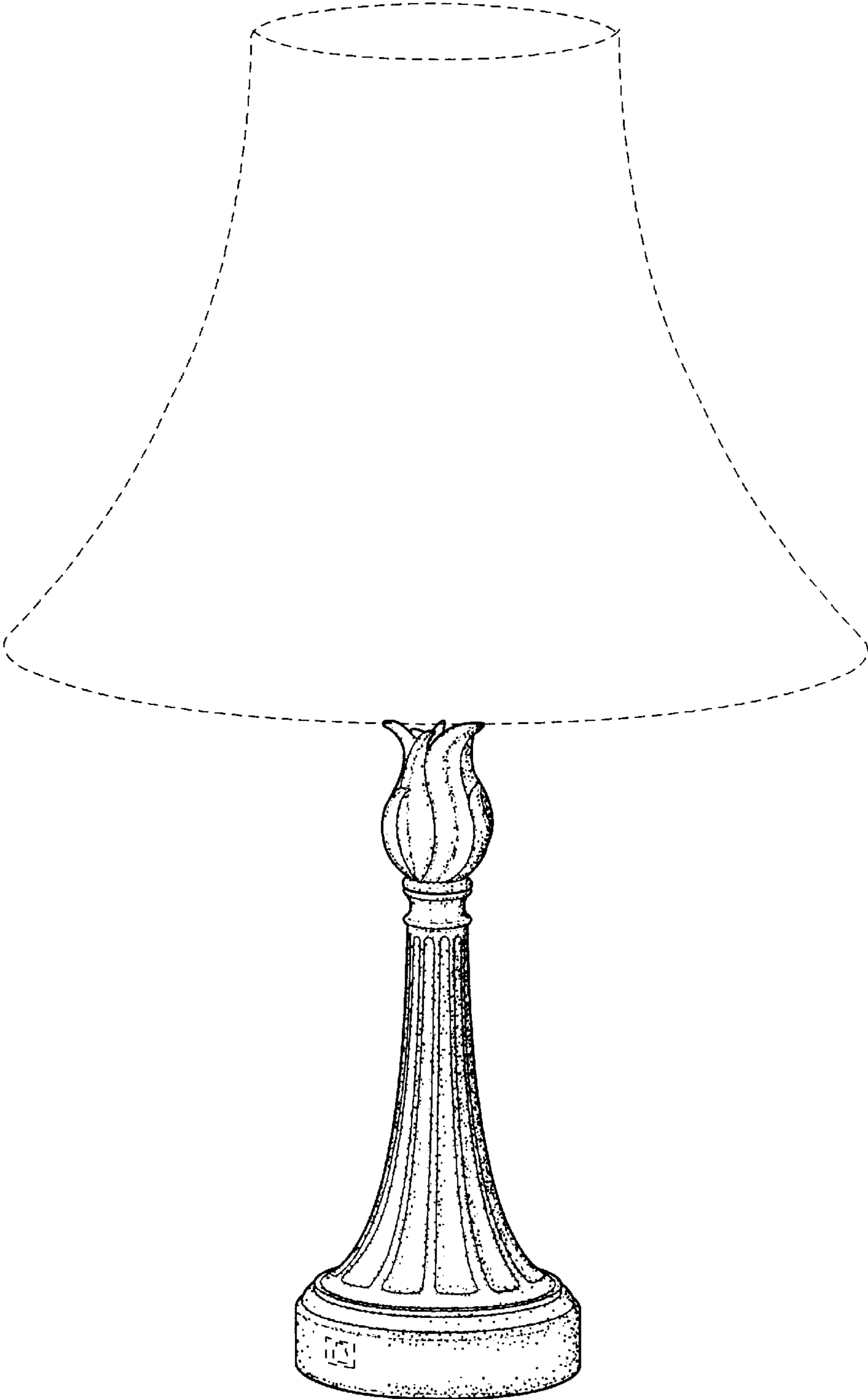


FIG. 1

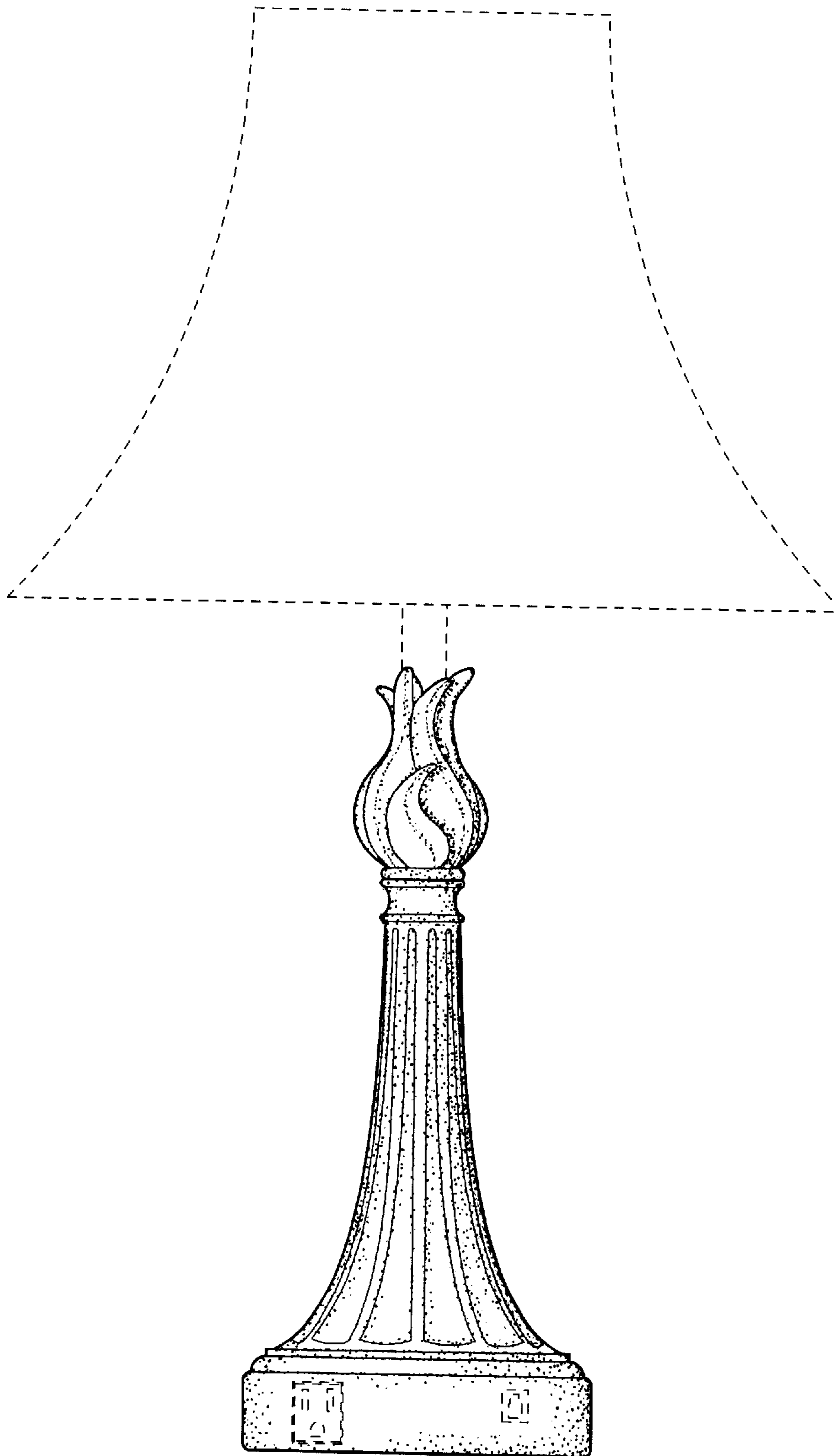


FIG. 2

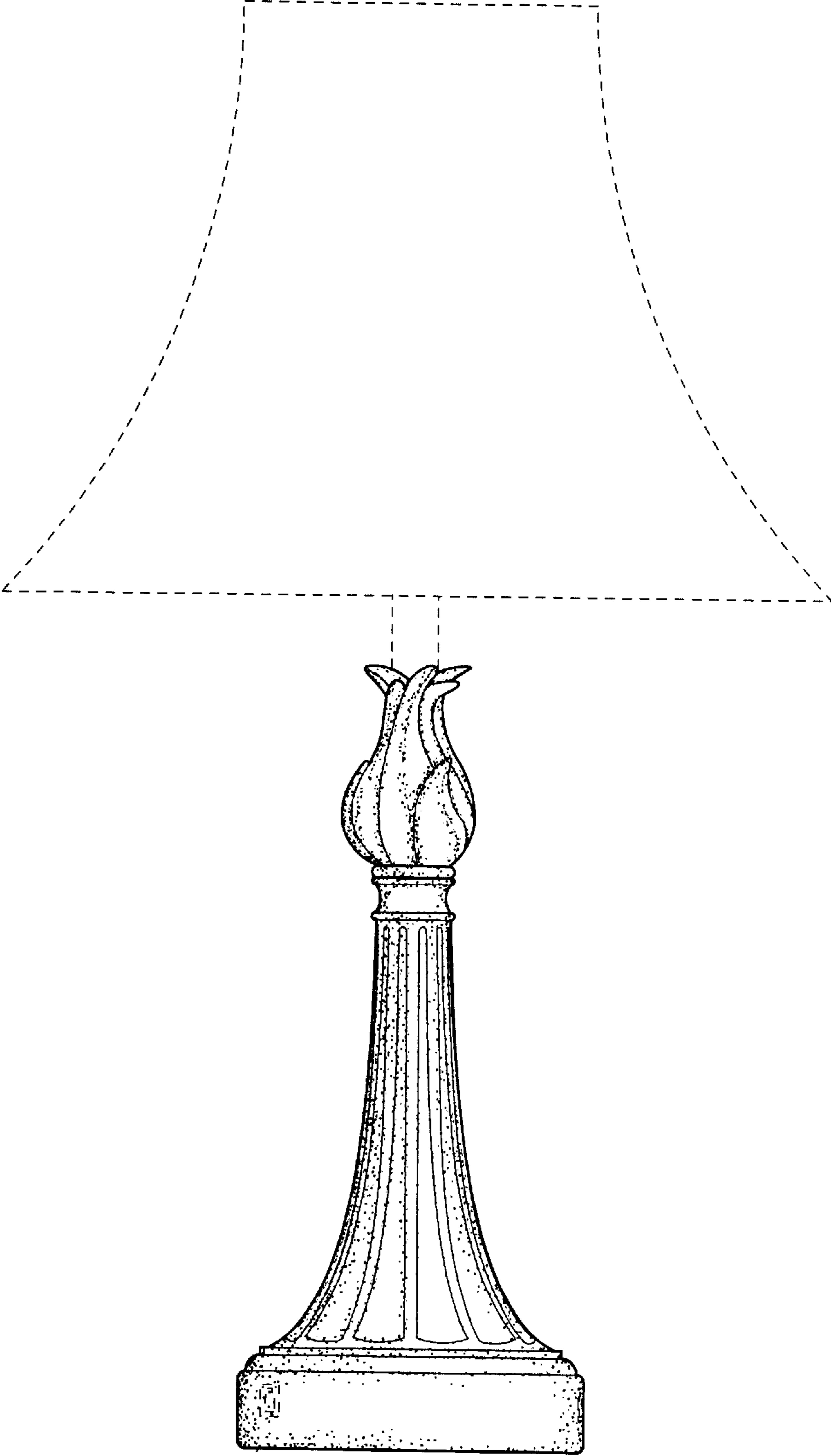


FIG. 3

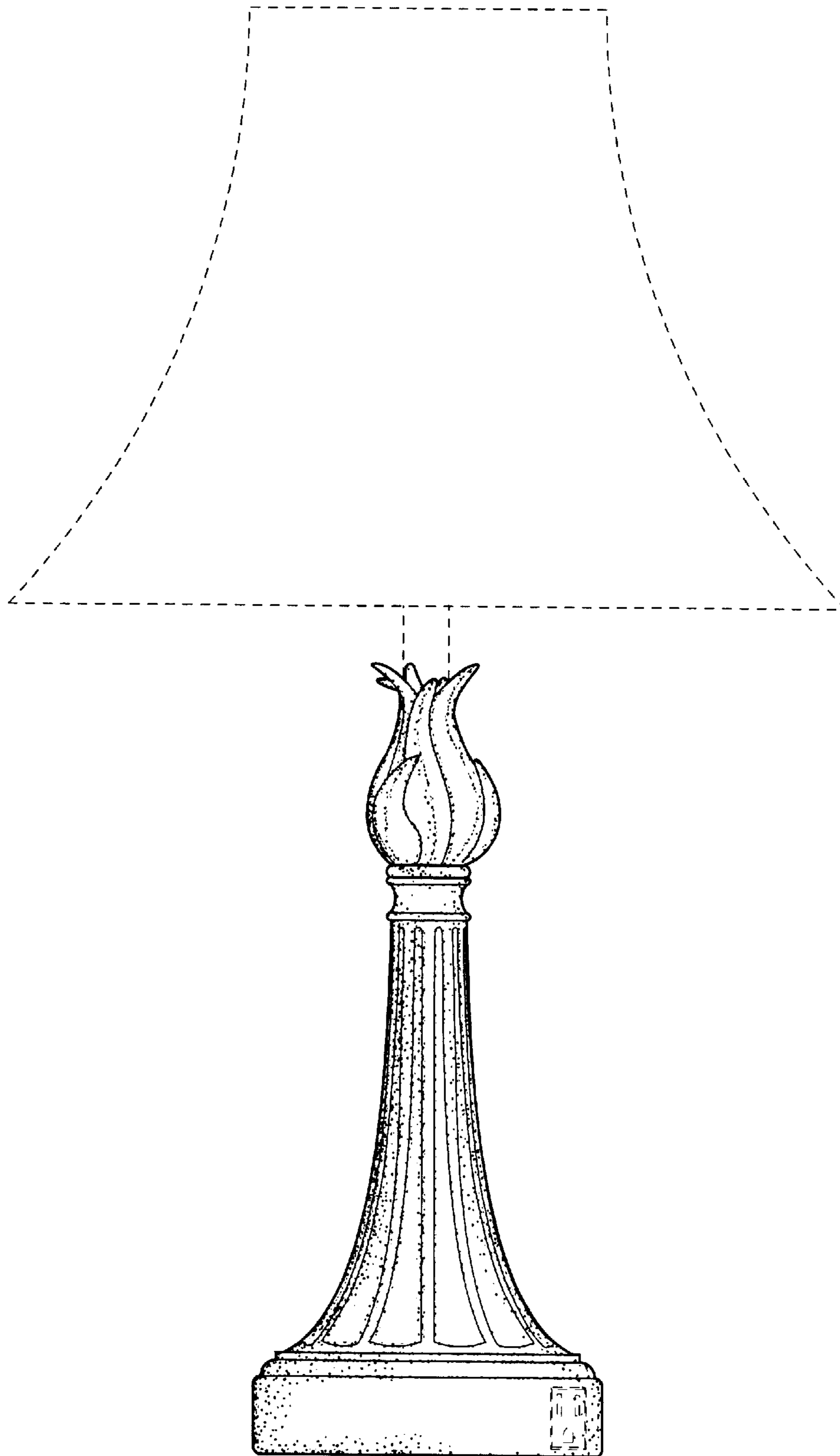


FIG. 4

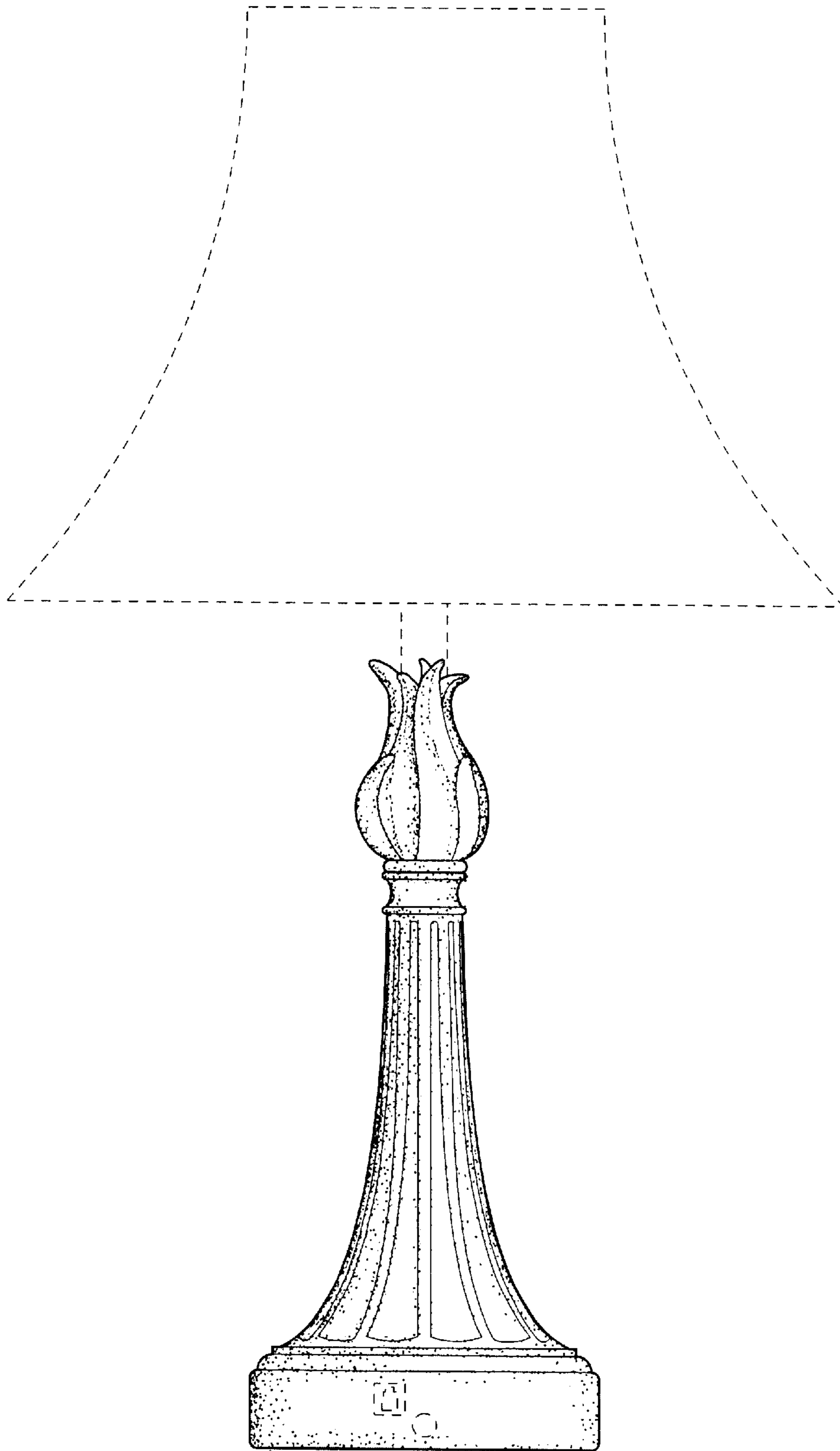


FIG. 5

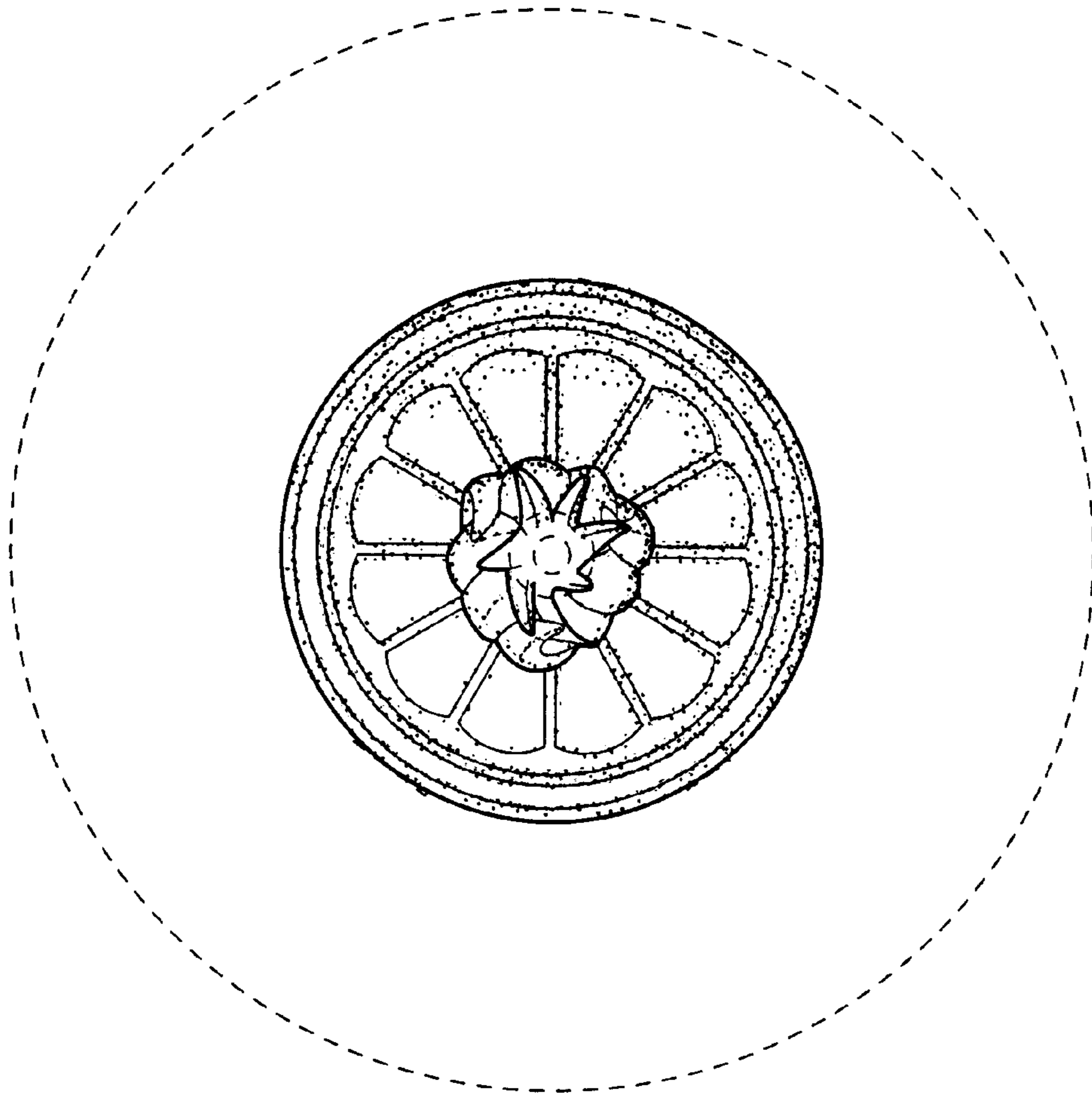


FIG. 6

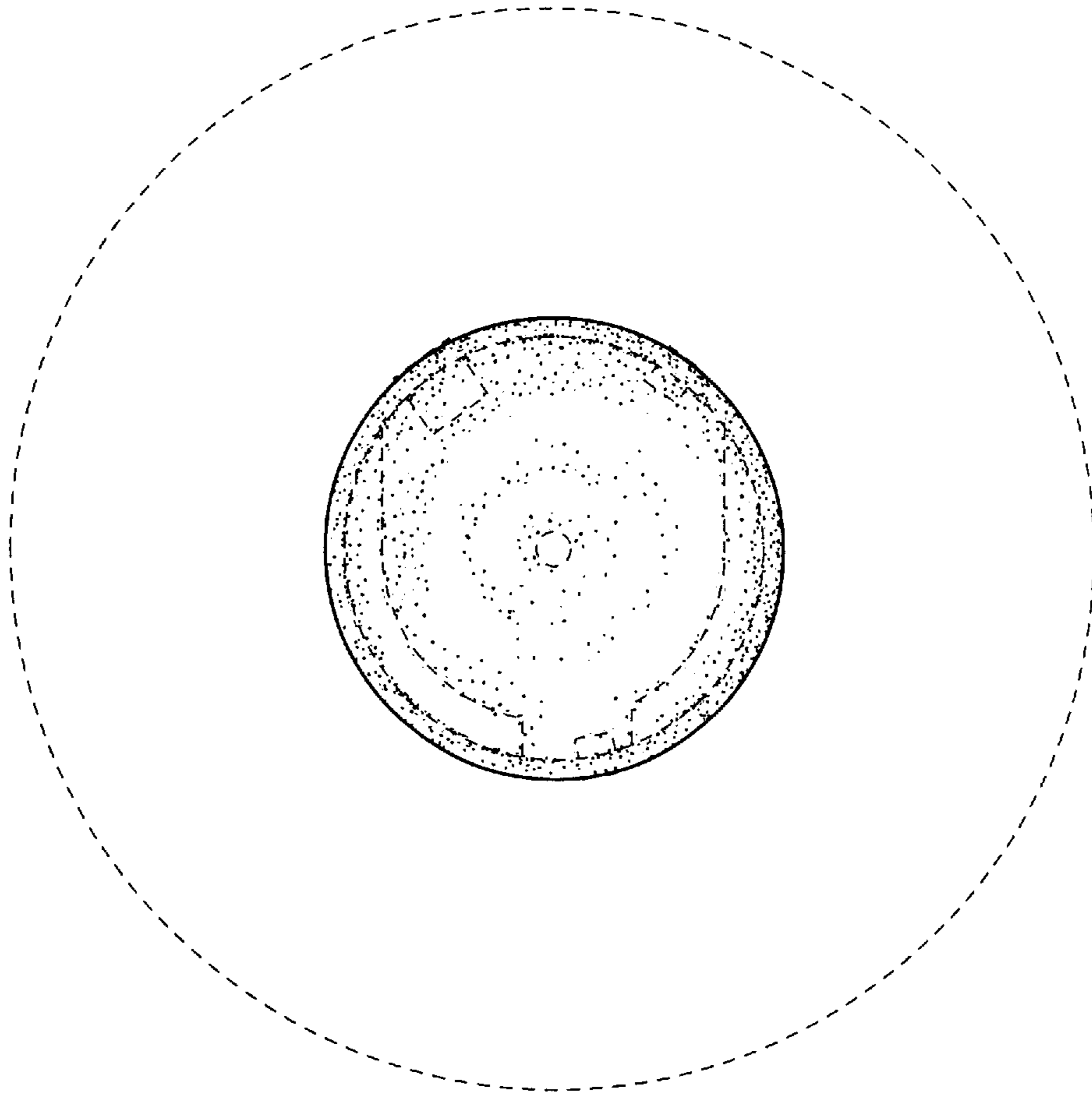


FIG. 7