

US00D497025S1

(12) **United States Design Patent**
Waldmann

(10) **Patent No.:** **US D497,025 S**

(45) **Date of Patent:** **** Oct. 5, 2004**

(54) **LAMP**

(75) **Inventor:** **Gerhard Waldmann, Dauchingen (DE)**

(73) **Assignee:** **Herbert Waldmann GmbH & Co. (DE)**

(**) **Term:** **14 Years**

(21) **Appl. No.:** **29/169,017**

(22) **Filed:** **Oct. 11, 2002**

(51) **LOC (7) Cl. 26-05**

(52) **U.S. Cl. D26/78**

(58) **Field of Search D26/72, 75-78, D26/24; 362/147, 217-226, 431, 432**

(56) **References Cited**

U.S. PATENT DOCUMENTS

- D127,374 S * 5/1941 Jordan D26/76
- D133,214 S * 7/1942 Ohm D26/76
- 2,338,077 A * 12/1943 Scribner 362/218

- D140,343 S * 2/1945 Nitardy D26/76
- D175,188 S * 7/1955 Phillips D26/76
- D437,959 S * 2/2001 Lewis D26/76

* cited by examiner

Primary Examiner—Clare E Heflin

(74) *Attorney, Agent, or Firm*—Eugene E. Renz, Jr.

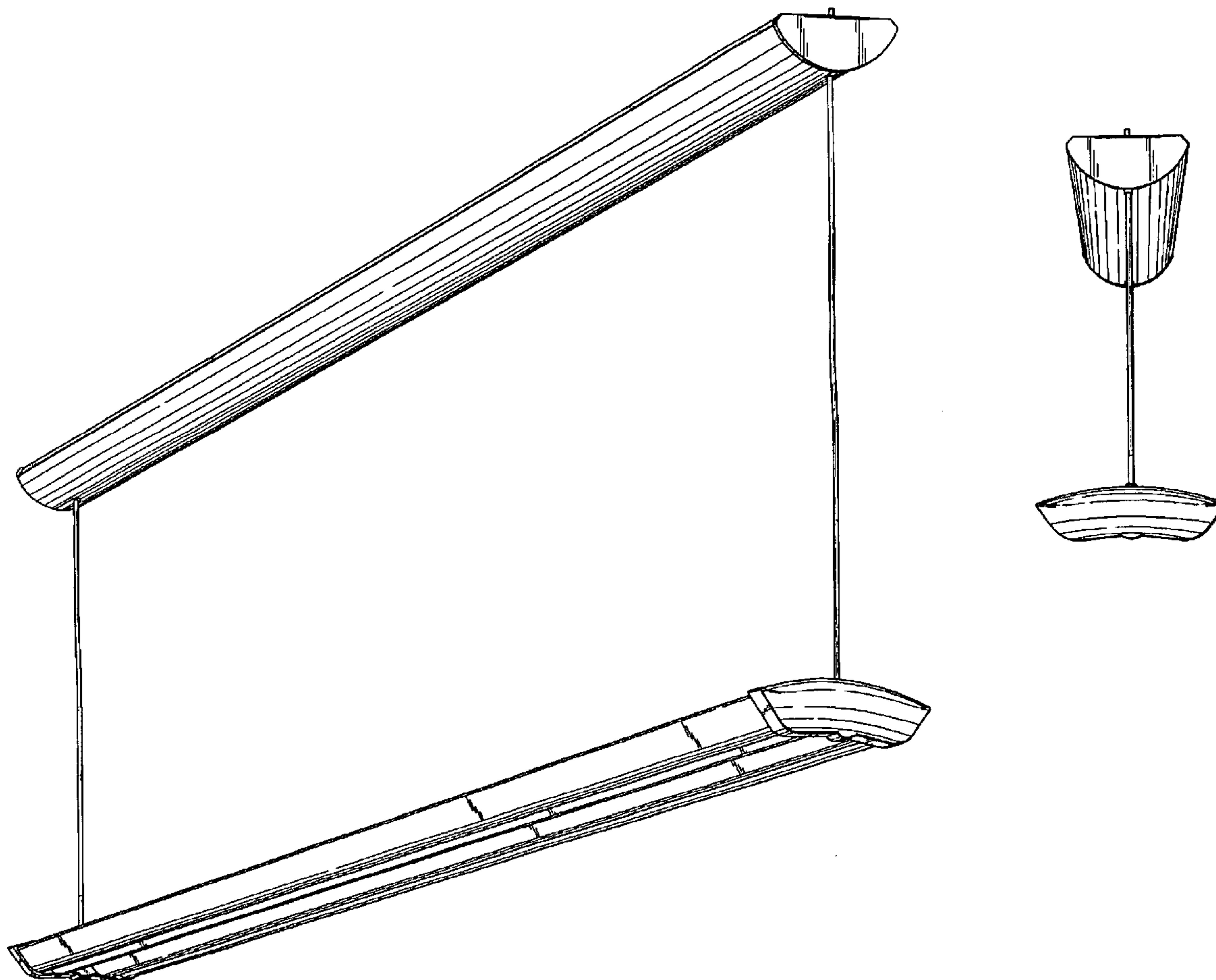
(57) **CLAIM**

The ornamental design for a lamp, as shown and described.

DESCRIPTION

FIG. 1 is a perspective view of my design for a lamp;
 FIG. 2 is an end elevational view of my design for a lamp, showing the top and bottom portion.
 FIG. 3 is a side elevational view of my design for a lamp, showing the top and bottom portion;
 FIG. 4 is a plan view of the bottom portion of my design for a lamp shown in the direction IV in FIG. 3; and,
 FIG. 5 is a plan view of the bottom portion of my design for a lamp shown in the direction V in FIG. 3.

1 Claim, 4 Drawing Sheets



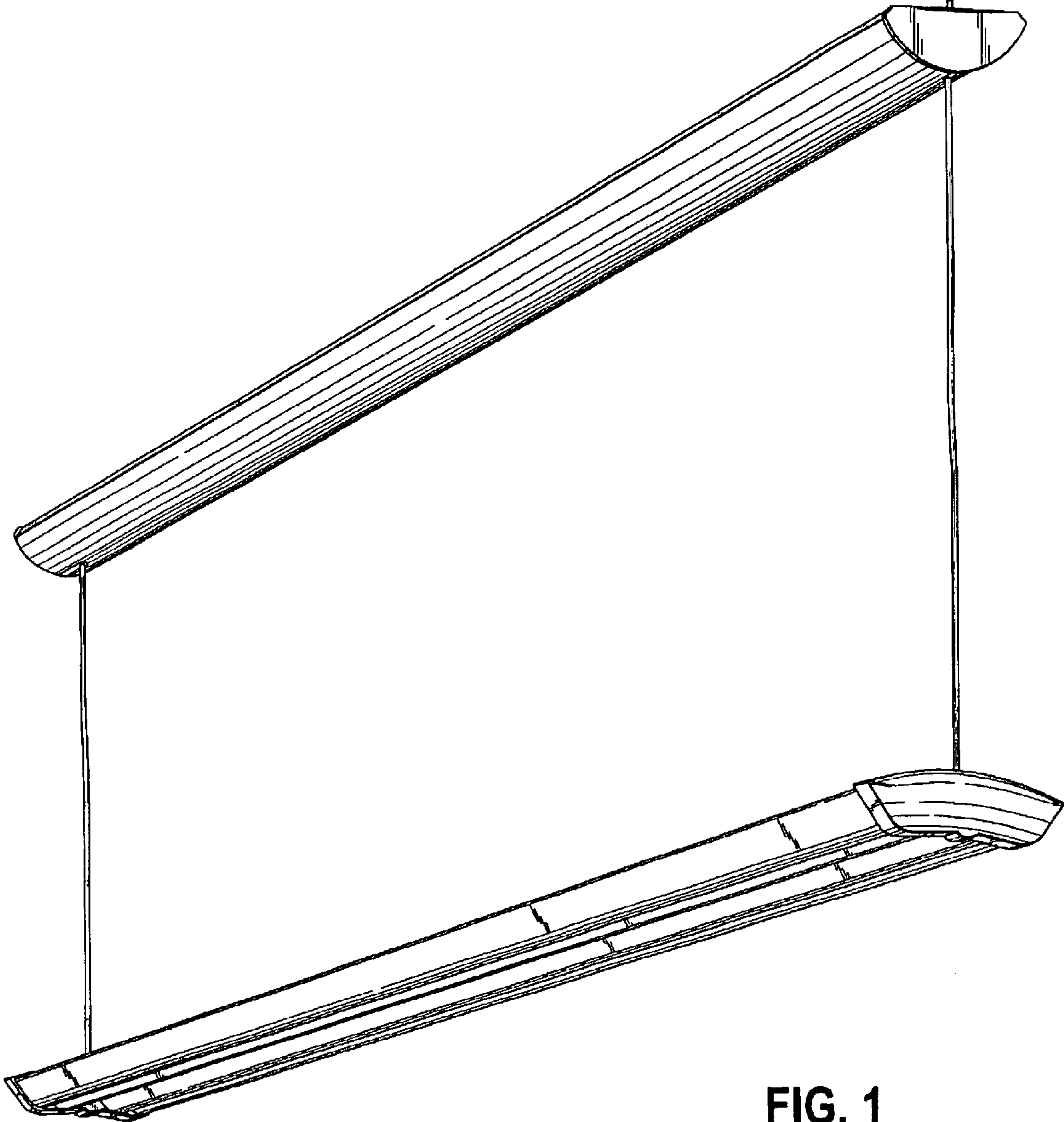


FIG. 1

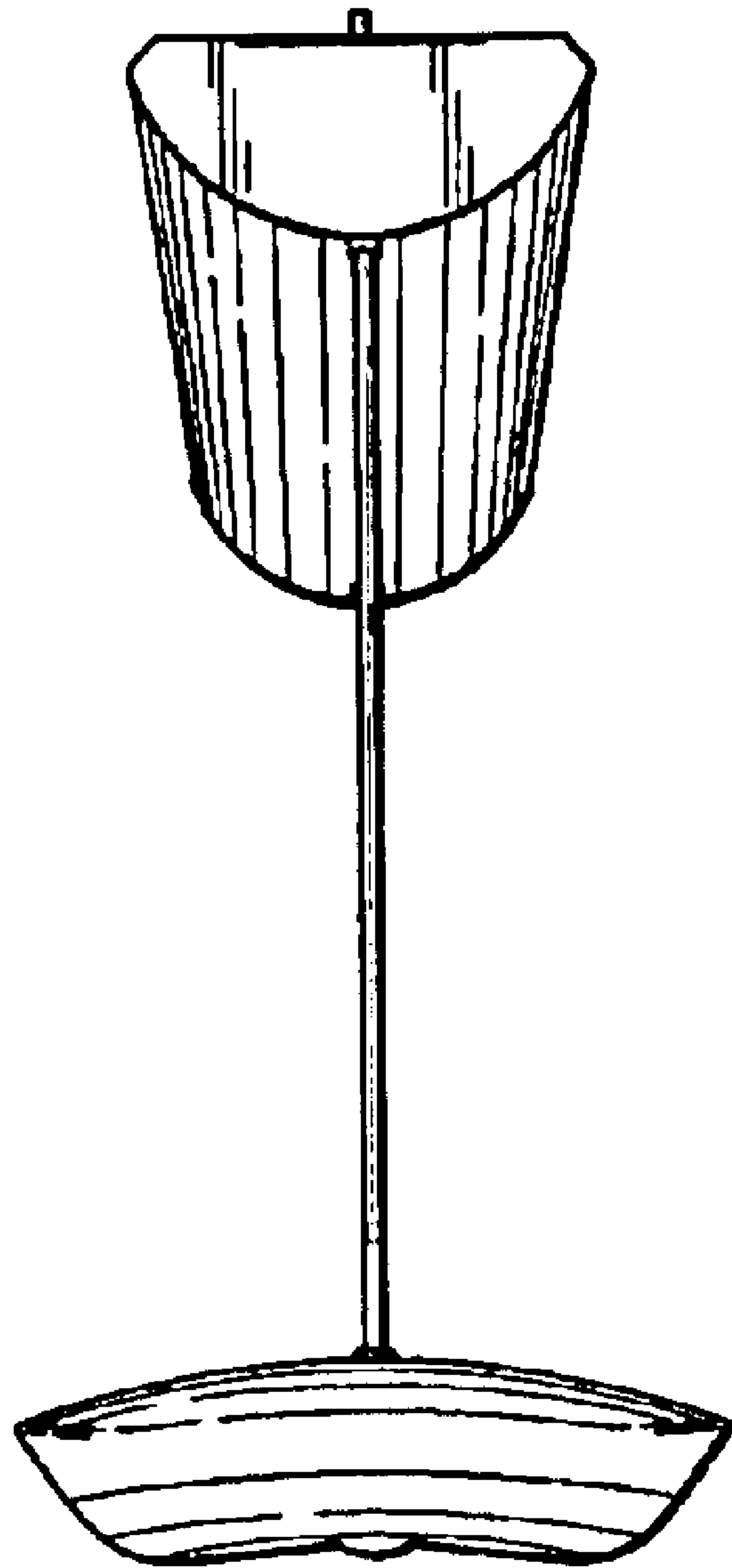


FIG. 2

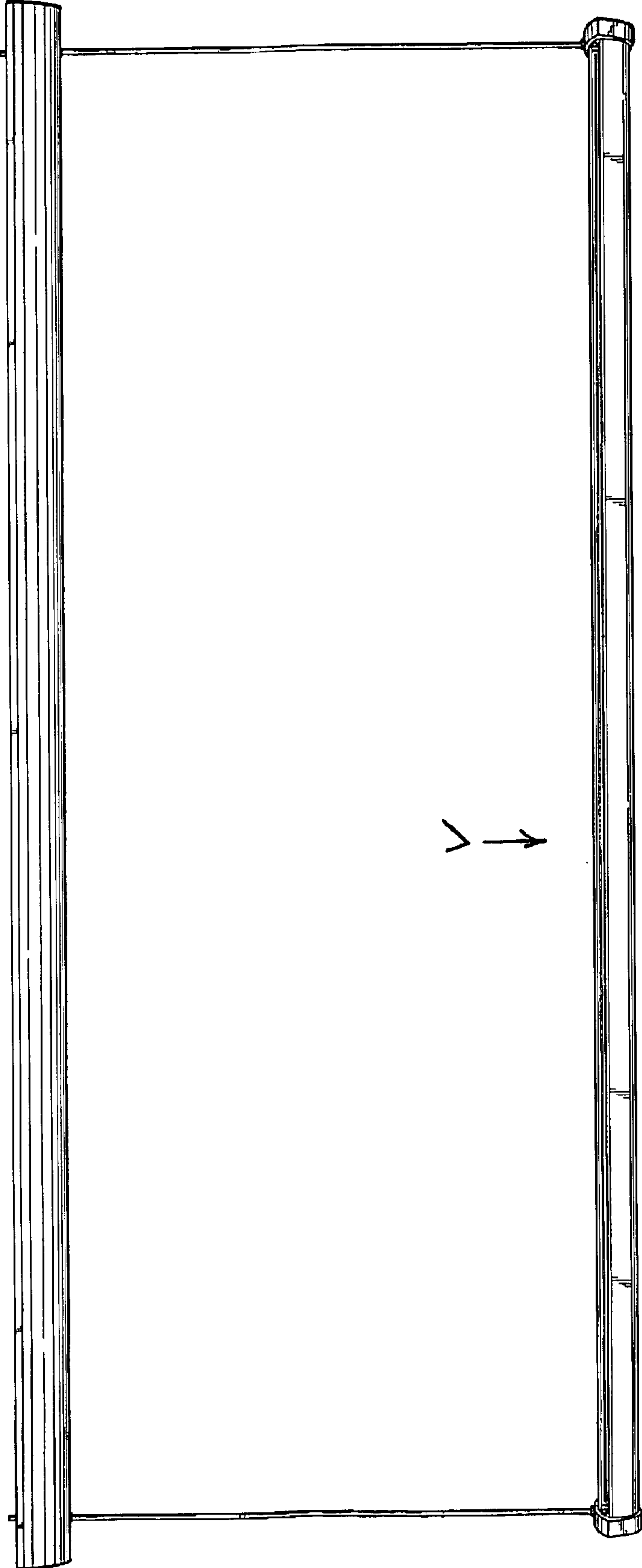


FIG. 3

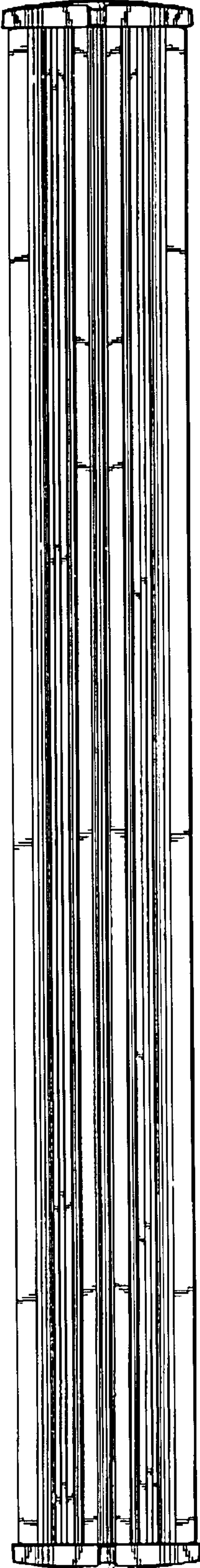
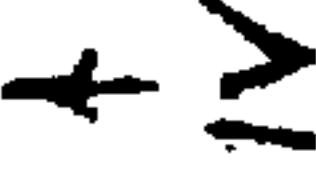
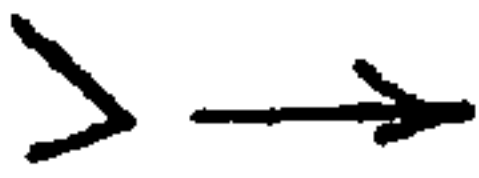


FIG. 4

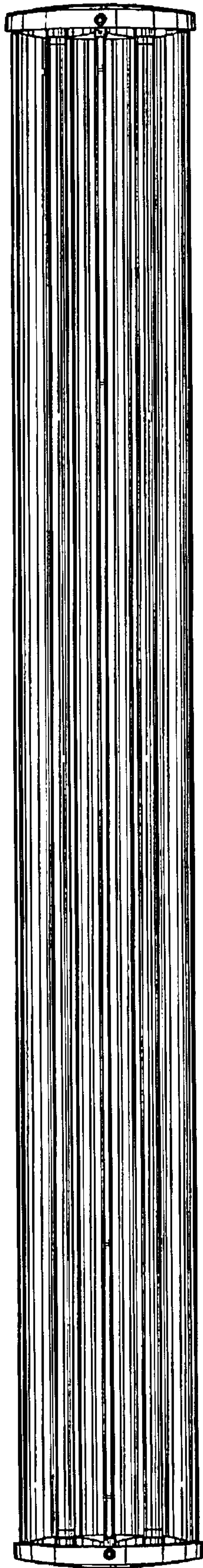


FIG. 5