

US00D497024S1

(12) **United States Design Patent** (10) **Patent No.:** **US D497,024 S**
Herst et al. (45) **Date of Patent:** **** Oct. 5, 2004**

(54) **LIGHTING FIXTURE**

D477,105 S * 7/2003 Herst et al. D26/76
D481,820 S * 11/2003 Watt D26/77

(75) Inventors: **Douglas J. Herst**, Ross, CA (US);
Utkan Salman, Oakland, CA (US);
Michael Trung Tran, Oakland, CA (US)

OTHER PUBLICATIONS

Lightedge "Curved" product brochure/ Peerless Lighting Corporation ©2002. (2 pages).*

(73) Assignee: **Acuity Brands, Inc.**, Atlanta, GA (US)

* cited by examiner

(**) Term: **14 Years**

Primary Examiner—Clare E Heflin

(21) Appl. No.: **29/178,973**

(74) *Attorney, Agent, or Firm*—Donald L. Beeson

(22) Filed: **Apr. 1, 2003**

(57) **CLAIM**

The ornamental design for a lighting fixture, as shown and described.

Related U.S. Application Data

DESCRIPTION

(63) Continuation-in-part of application No. 29/152,944, filed on Dec. 24, 2001, now Pat. No. Des. 472,668.

FIG. 1 is an enlarged fragmentary bottom perspective view of a lighting fixture showing our new design;

(51) **LOC (7) Cl.** **26-03**

FIG. 2 is an enlarged fragmentary top perspective view thereof;

(52) **U.S. Cl.** **D26/77; D26/118**

FIG. 3 is an enlarged end elevational view thereof;

(58) **Field of Search** D26/72, 75-79,
D26/118; 362/217-225

FIG. 4 is a side elevational view thereof, the other side being a mirror image;

(56) **References Cited**

U.S. PATENT DOCUMENTS

2,474,308	A	11/1949	Franck et al.	
D308,259	S	* 5/1990	Burkarth	D26/78
D377,231	S	* 1/1997	Degelmann	D26/77
5,709,460	A	1/1998	Lester	
D418,626	S	1/2000	Herst et al.	
D428,508	S	* 7/2000	Irvine	D26/76
D431,086	S	* 9/2000	Cole, Jr.	D26/76
D434,167	S	* 11/2000	Foster	D26/76
6,305,816	B1	10/2001	Corcorran et al.	
D472,665	S	* 4/2003	Herst et al.	D26/113
D472,666	S	* 4/2003	Herst et al.	D26/113
D472,667	S	* 4/2003	Herst et al.	D26/118
D472,668	S	* 4/2003	Herst et al.	D26/118
D473,007	S	* 4/2003	Herst et al.	D26/113

FIG. 5 is bottom plan view thereof;

FIG. 6 is a top plan view thereof;

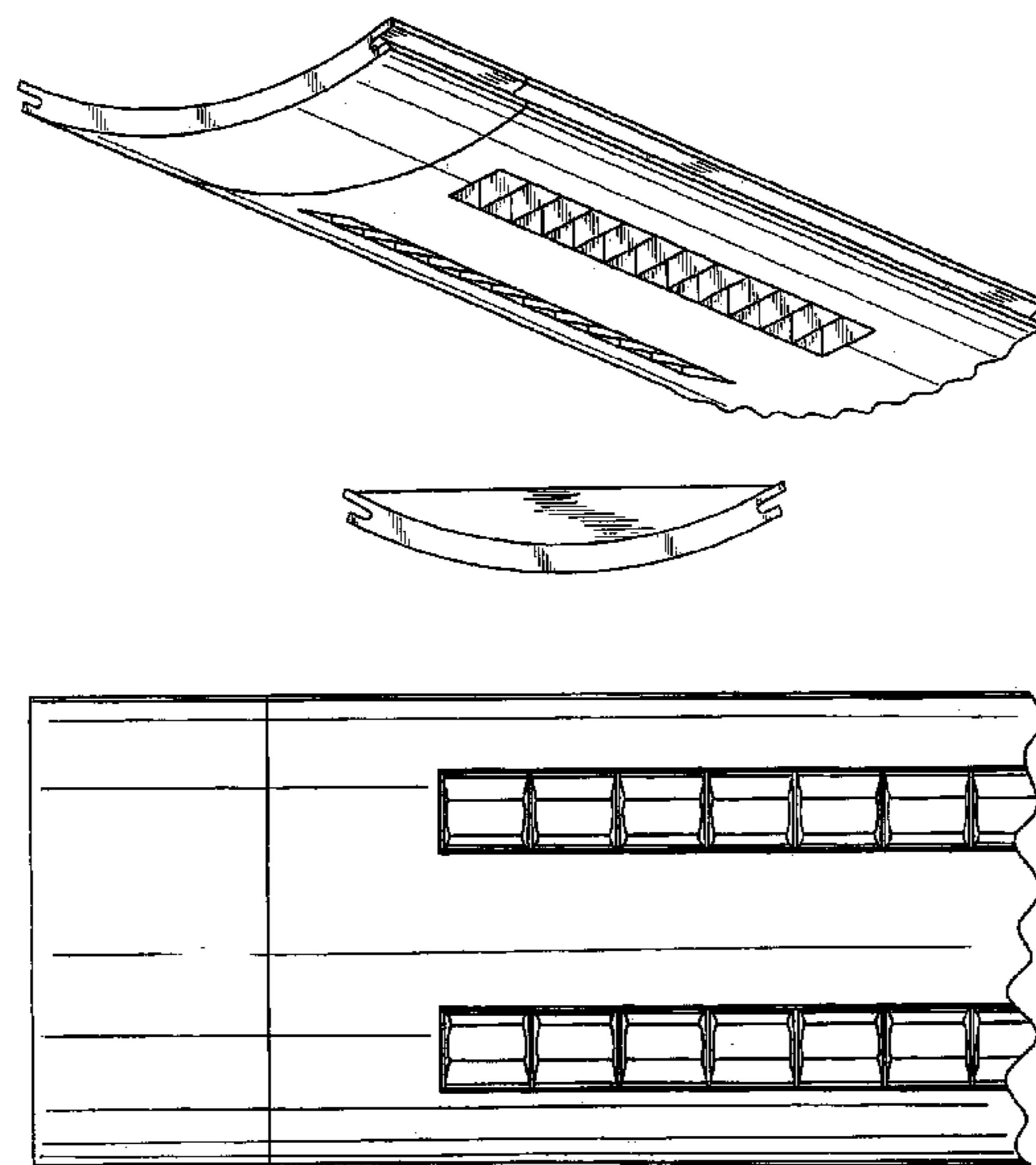
FIG. 7 is an enlarged fragmentary side elevational view thereof;

FIG. 8 is an enlarged fragmentary bottom plan view thereof; and,

FIG. 9 is an enlarged fragmentary top plan view thereof.

FIGS. 4-6 are broken away to indicate indeterminate length. The broken lines shown in FIGS. 2, 6 and 9 immediately adjacent the shaded areas represent the bounds of the claimed design, and all other broken lines shown in FIGS. 2, 6 and 9 are for illustrative purposes only. None of the broken lines form part of our claimed design.

1 Claim, 5 Drawing Sheets



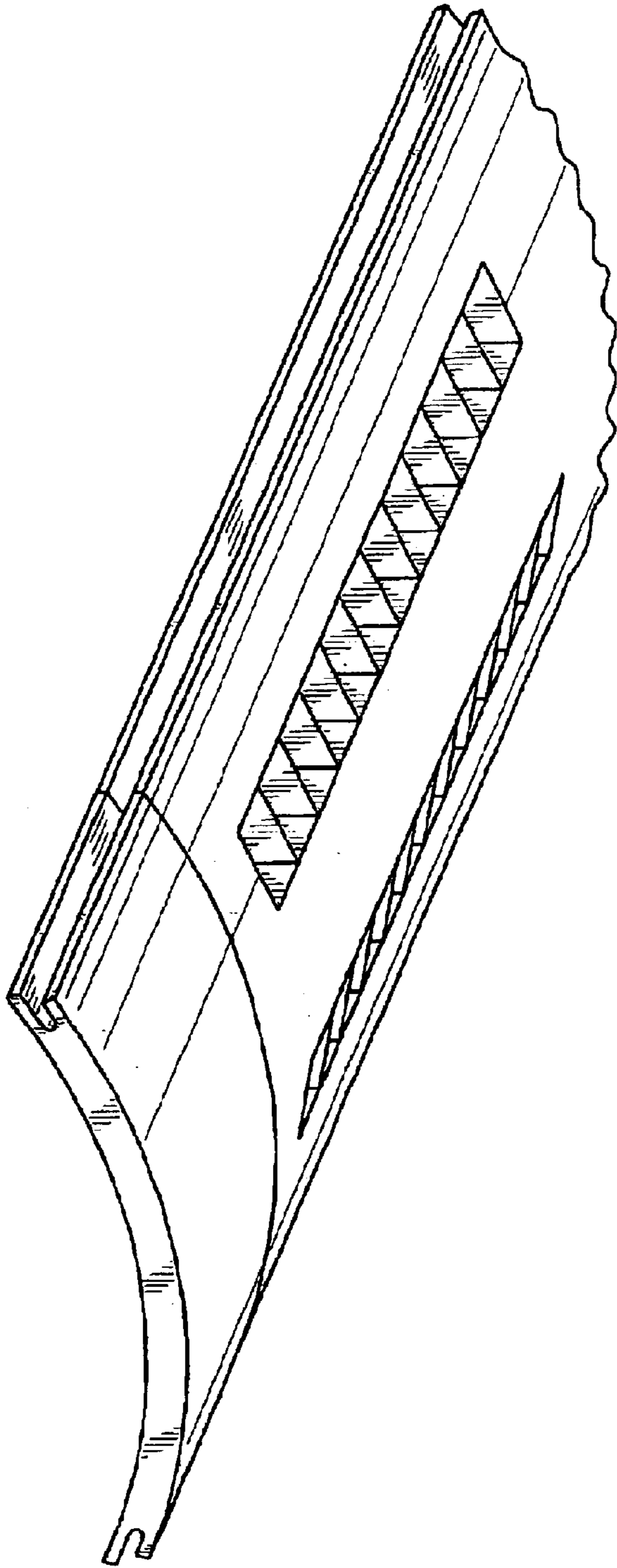


FIG. 1



FIG. 3

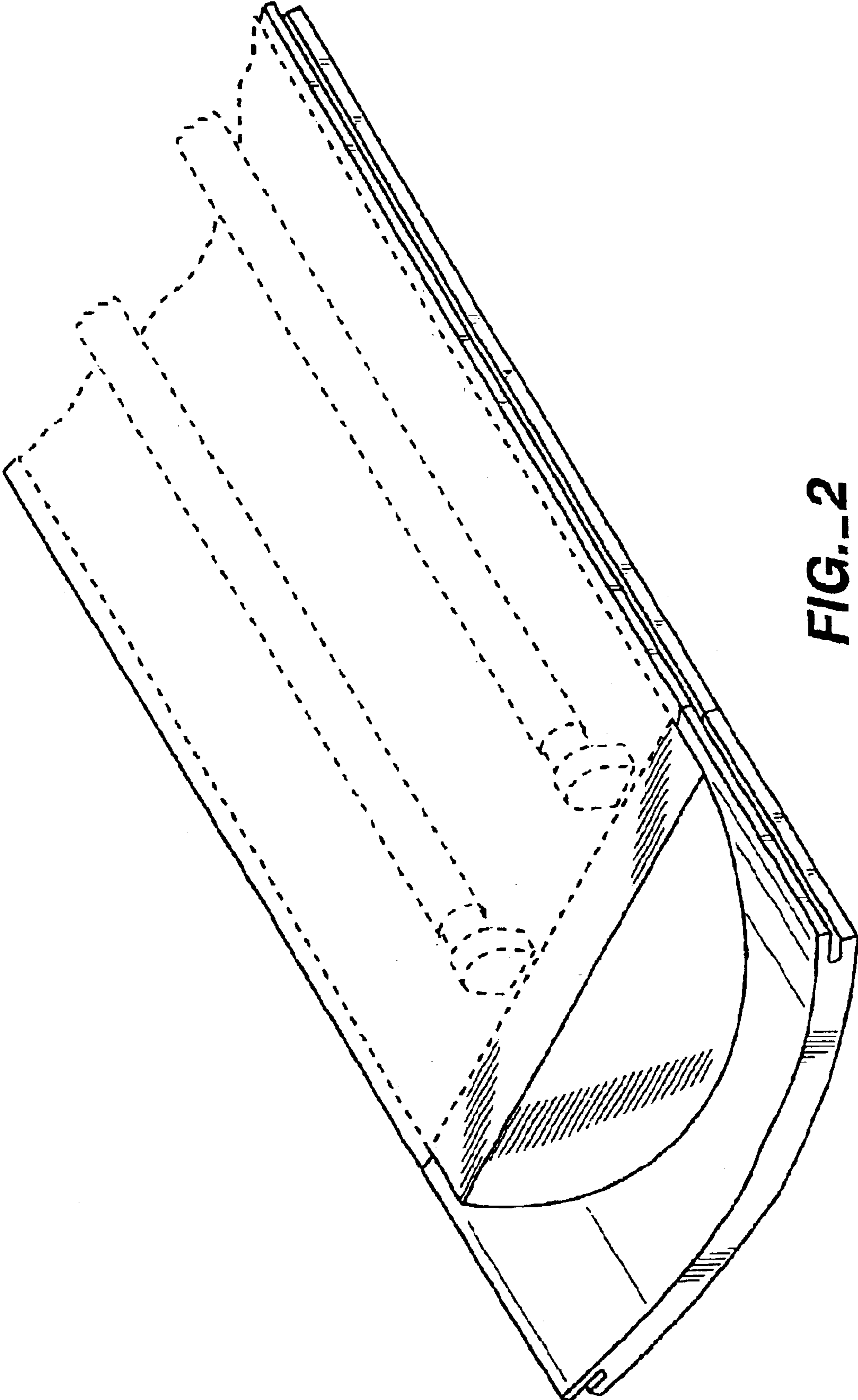


FIG. 2



FIG. 4

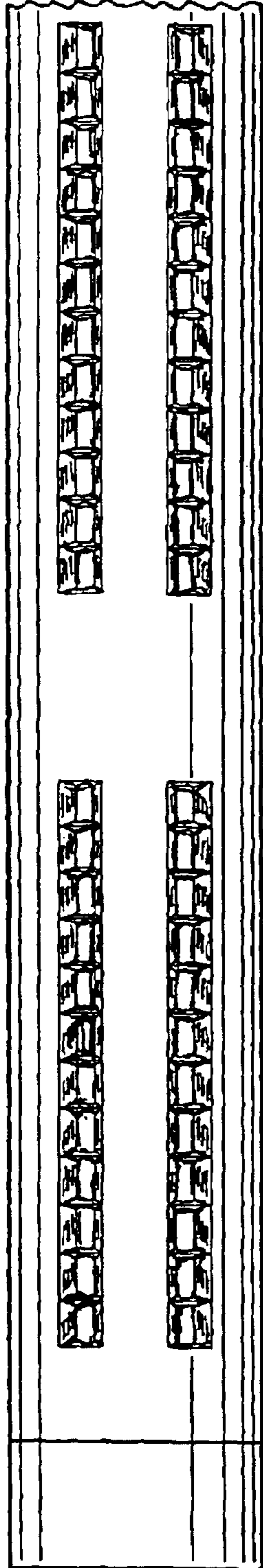


FIG. 5

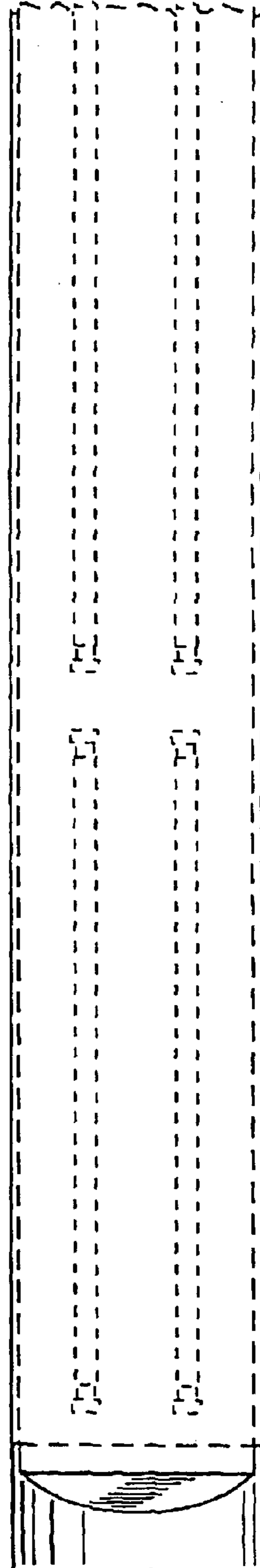


FIG. 6

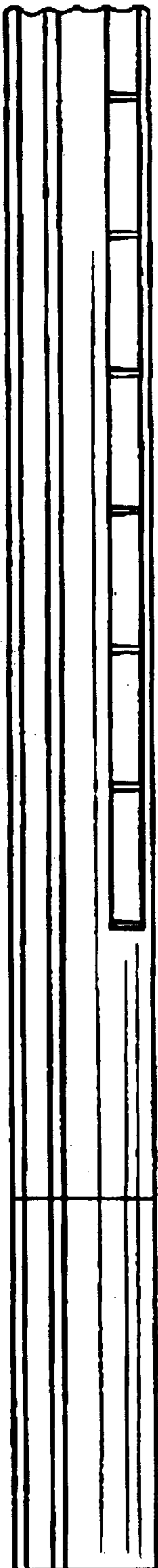


FIG. 7

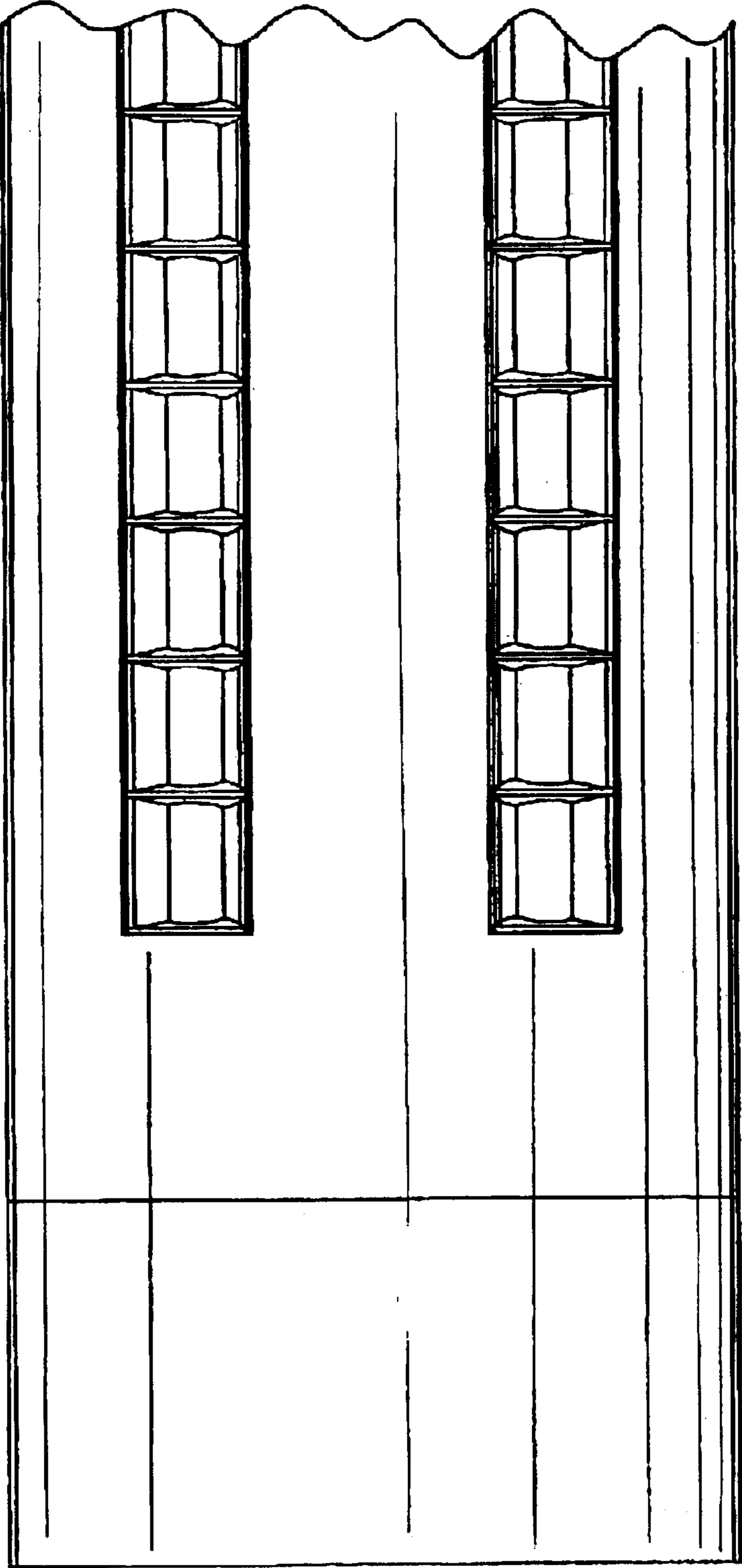


FIG. 8

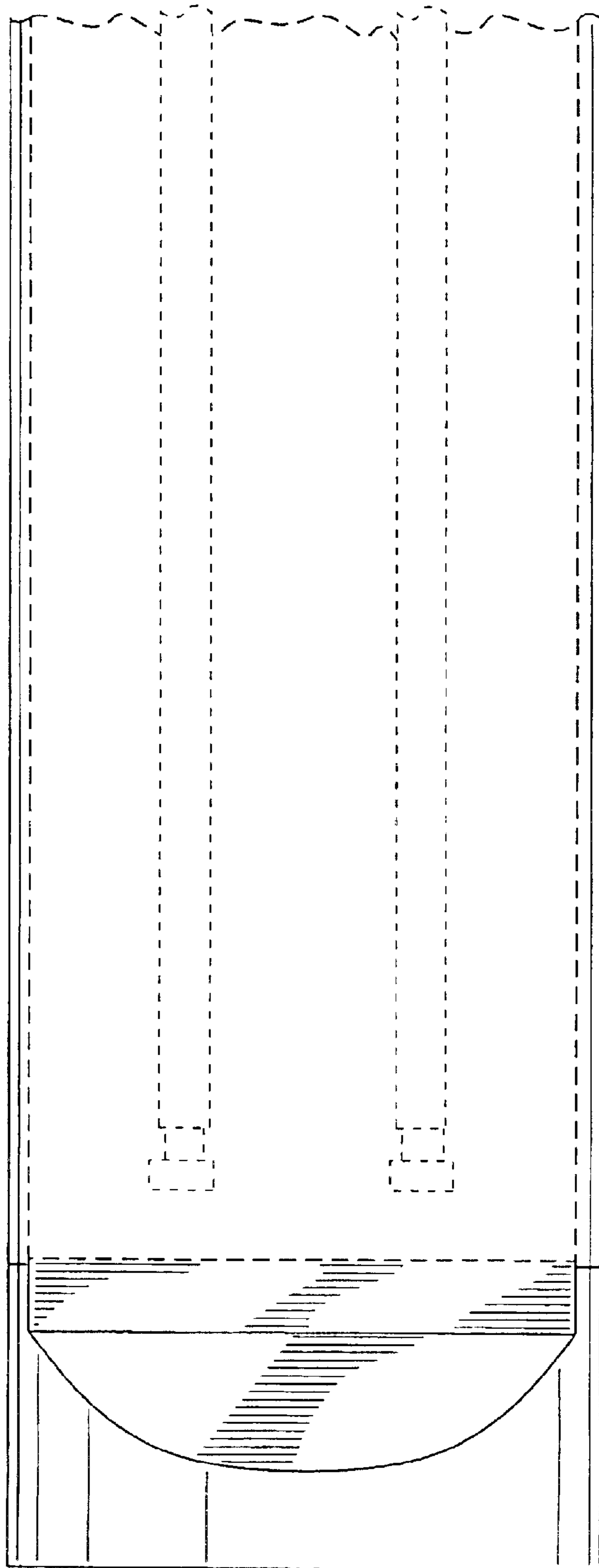


FIG. 9