

US00D497023S1

(12) **United States Design Patent**
Burkart et al.

(10) **Patent No.:** **US D497,023 S**

(45) **Date of Patent:** **** Oct. 5, 2004**

(54) **LANTERN ASSEMBLY**

(75) Inventors: **Michael G. Burkart**, Denver, CO (US);
Scott A. Wilson, Frederick, CO (US)

(73) Assignee: **Stallion Fence Accessories**, Denver,
CO (US)

(**) Term: **14 Years**

(21) Appl. No.: **29/193,554**

(22) Filed: **Nov. 10, 2003**

(51) **LOC (7) Cl.** **26-05**

(52) **U.S. Cl.** **D26/67; D26/118**

(58) **Field of Search** D26/118, 128-137,
D26/67-68; 362/310, 351, 355, 356, 359,
360, 361, 363

(56) **References Cited**

U.S. PATENT DOCUMENTS

D326,728 S * 6/1992 Layne D26/67
D469,559 S * 1/2003 Chang D26/67
D484,631 S * 12/2003 Chen D26/67

OTHER PUBLICATIONS

Octagon Series 4600 B-4651-AL, Hadco Lighting, 1983, p.
59.*

Timely Lighting/3711 TM, Home Lighting & Accessories,
Jun. 1994, p. 90.*

* cited by examiner

Primary Examiner—Jennifer Rivard

(74) *Attorney, Agent, or Firm*—Marsh Fischmann &
Breyfogle LLP

(57) **CLAIM**

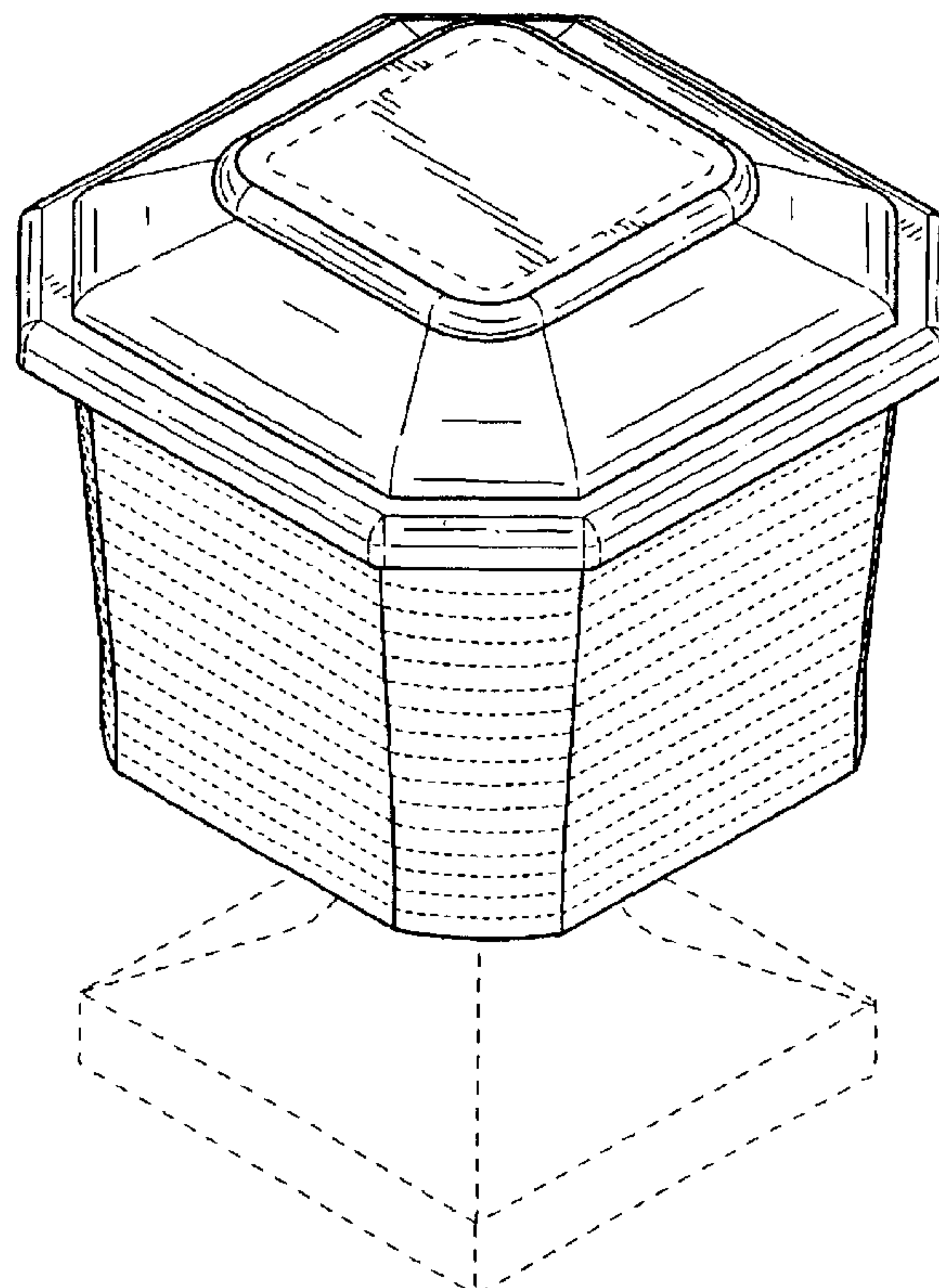
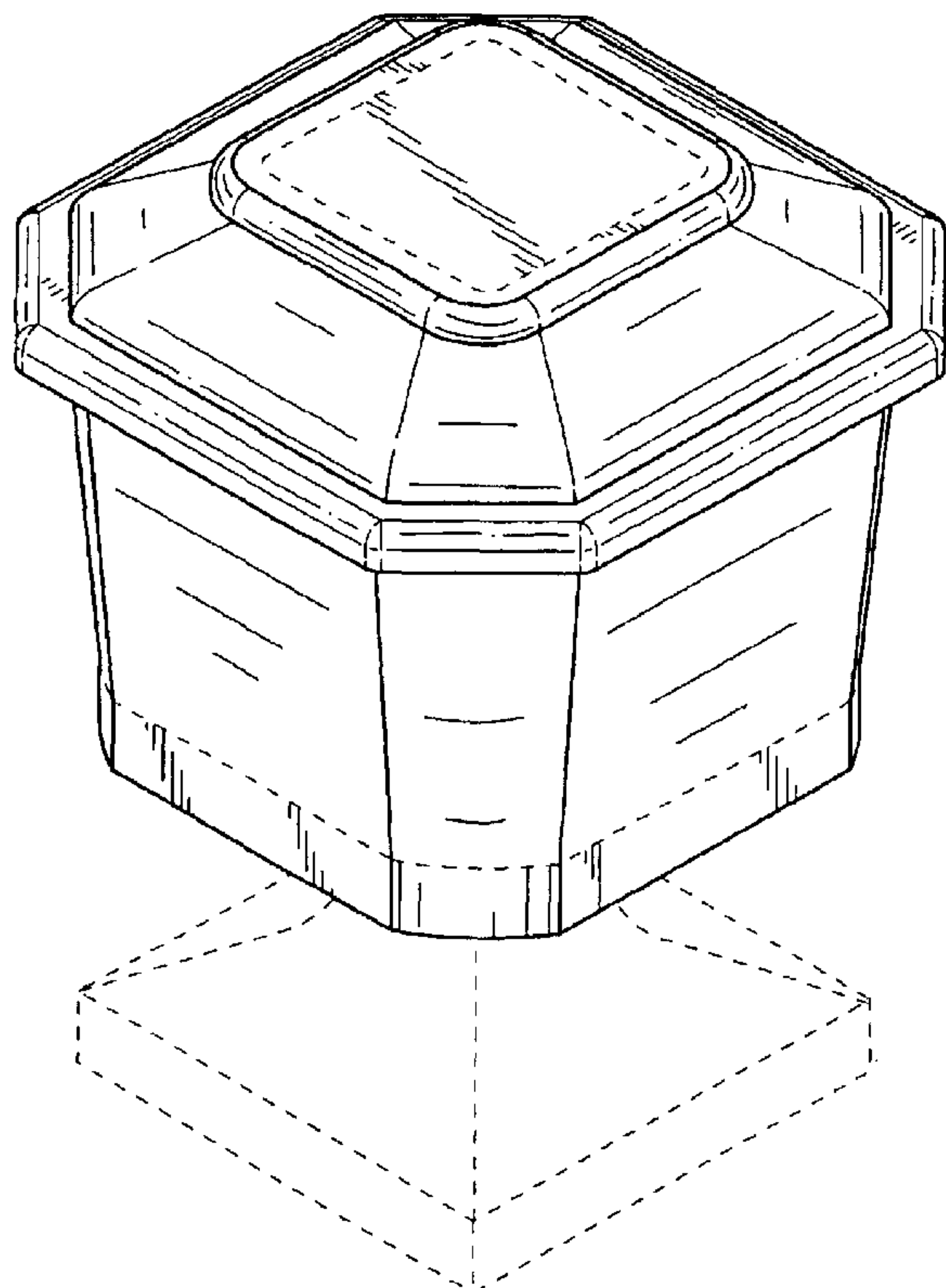
The ornamental design for a lantern assembly, as shown and
described.

DESCRIPTION

FIG. 1 is a perspective view of the first embodiment of the
lantern assembly;
FIG. 2 is a first side view of the lantern assembly;
FIG. 3 is a second side view of the lantern assembly;
FIG. 4 is a top plan view of the lantern assembly;
FIG. 5 is a bottom plan view of the lantern assembly; and,
FIG. 6 is a perspective view of the second embodiment of
the lantern assembly, the opposite perspective view is a
mirror image thereof. The top and bottom plan views are that
same as those of the first embodiment.

The purpose of the fine broken lines on the sidewalls of the
lantern assembly in FIG. 6 are to illustrate a plurality of
horizontally aligned diffusing ridges forming a surface treat-
ment for the lantern assembly. All other broken lines are
used to illustrate environment. The broken lines form no part
of the claimed design.

1 Claim, 4 Drawing Sheets



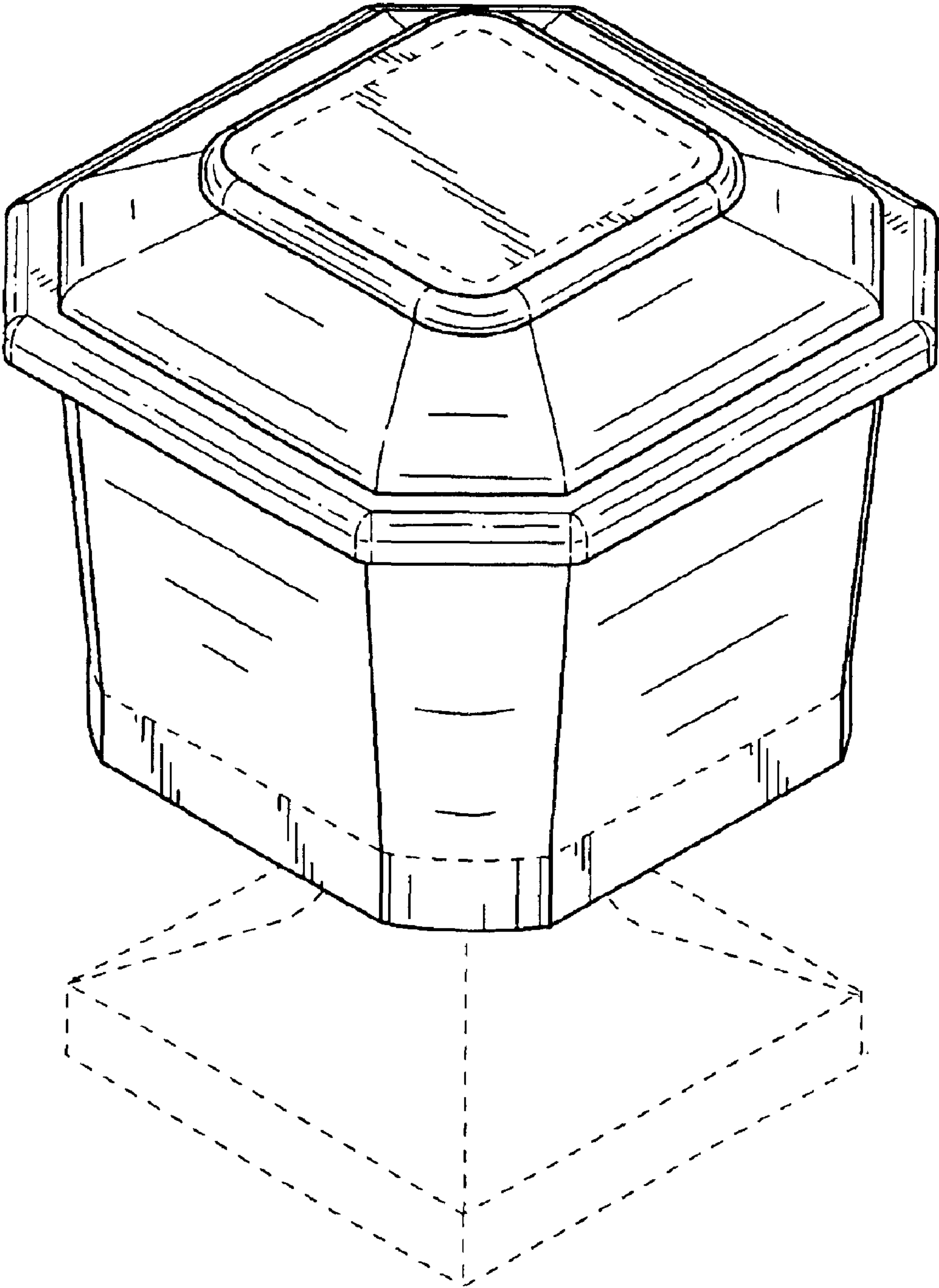


FIG.1

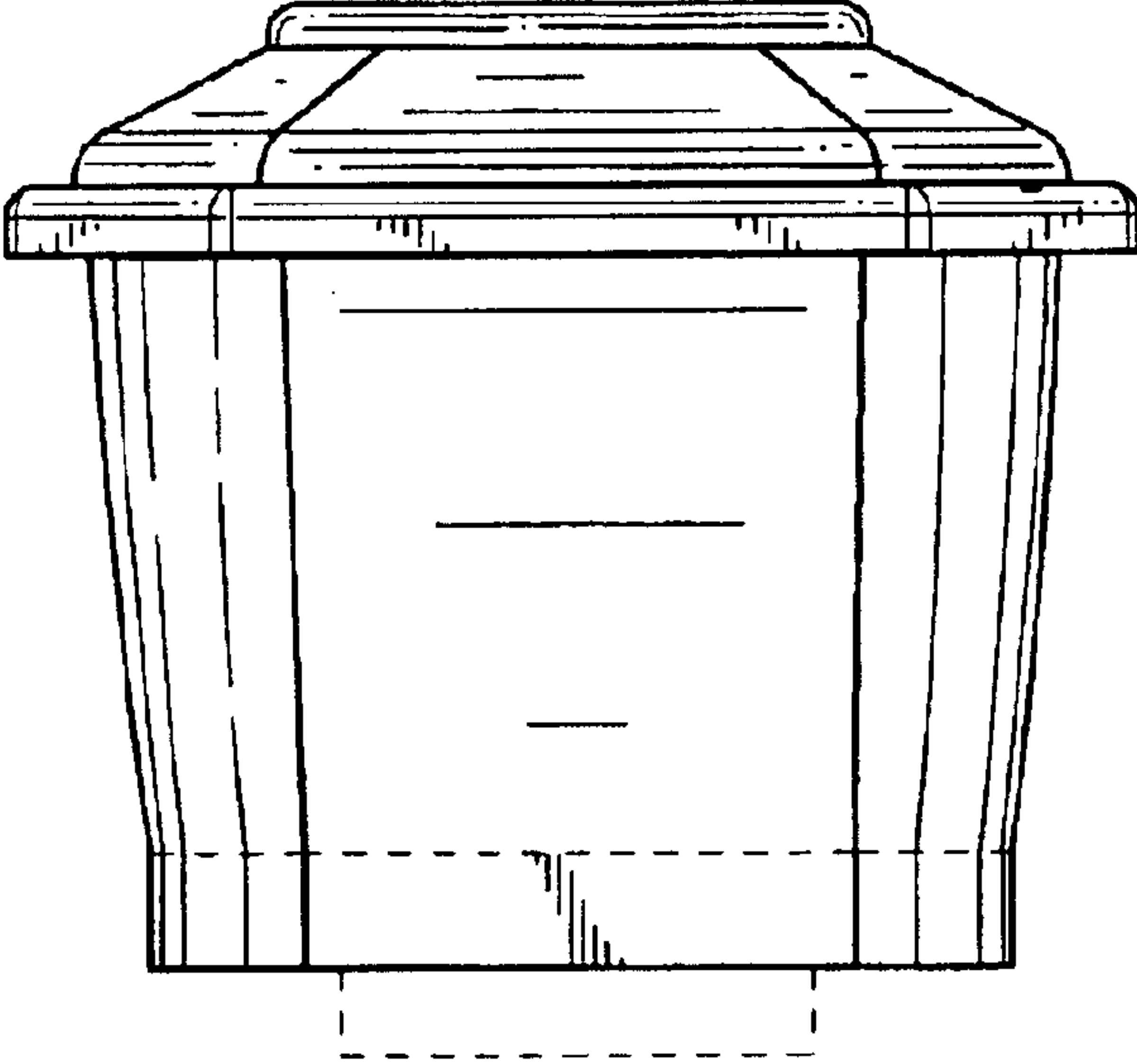


FIG.2

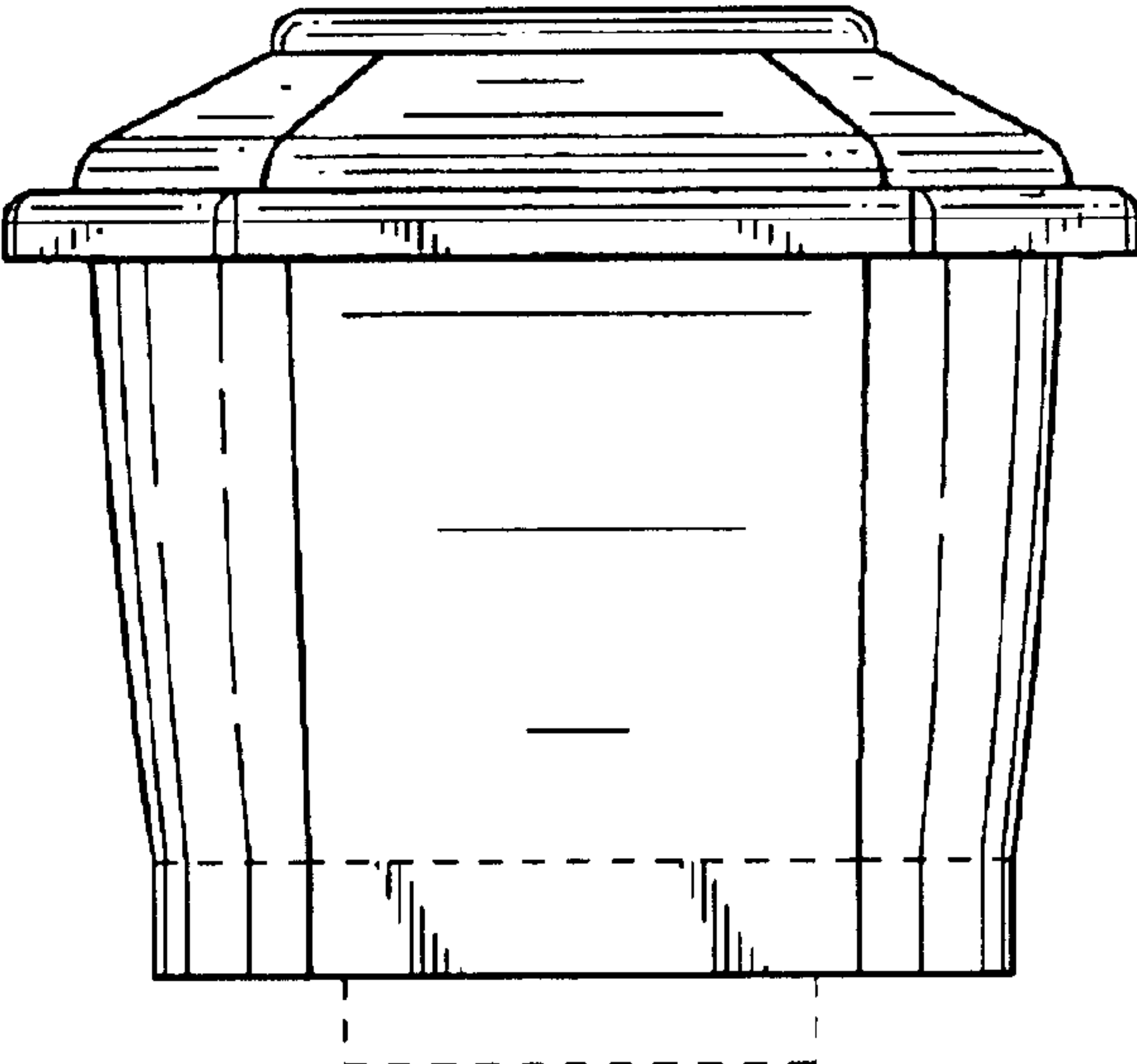


FIG.3

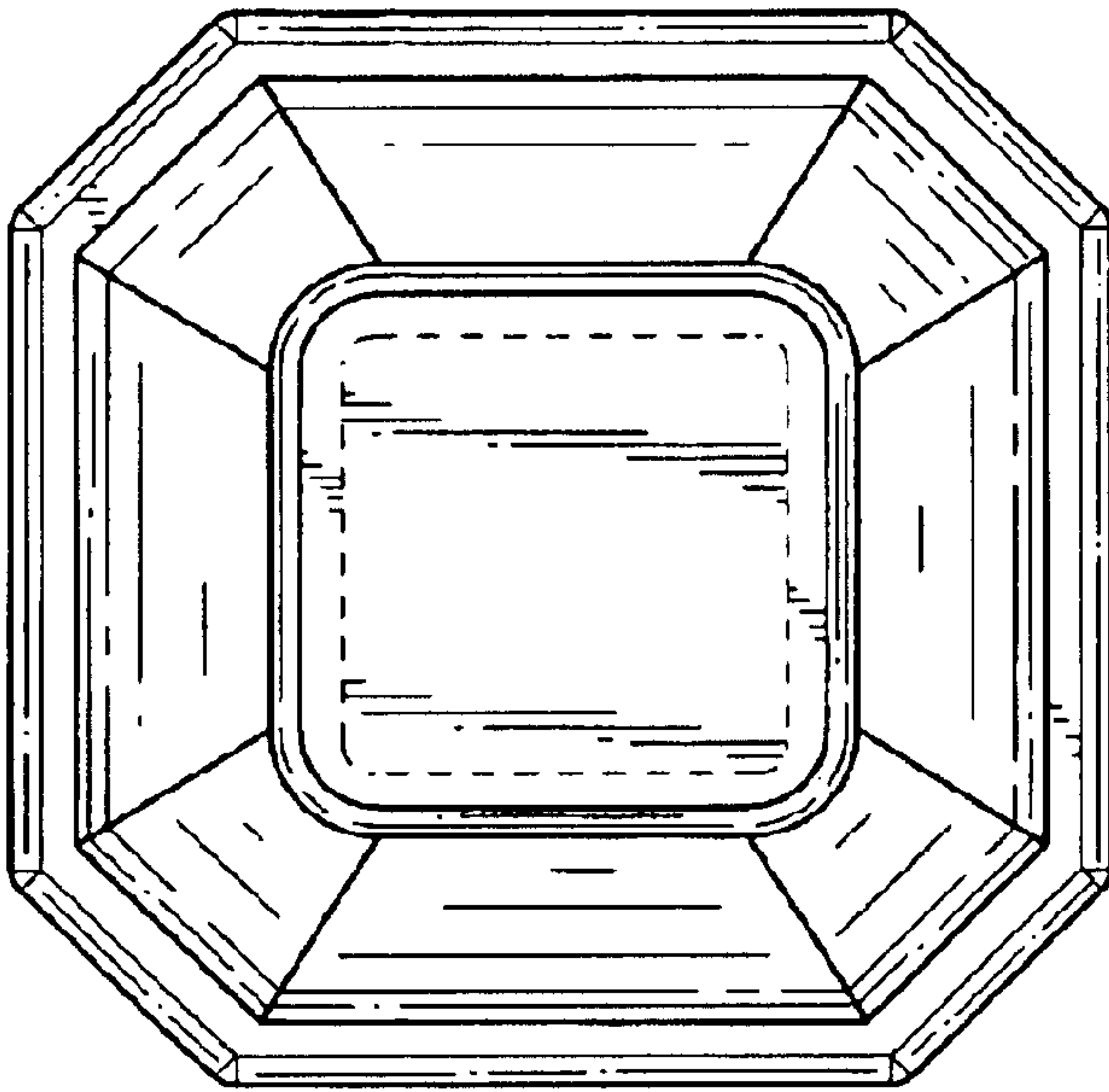


FIG. 4

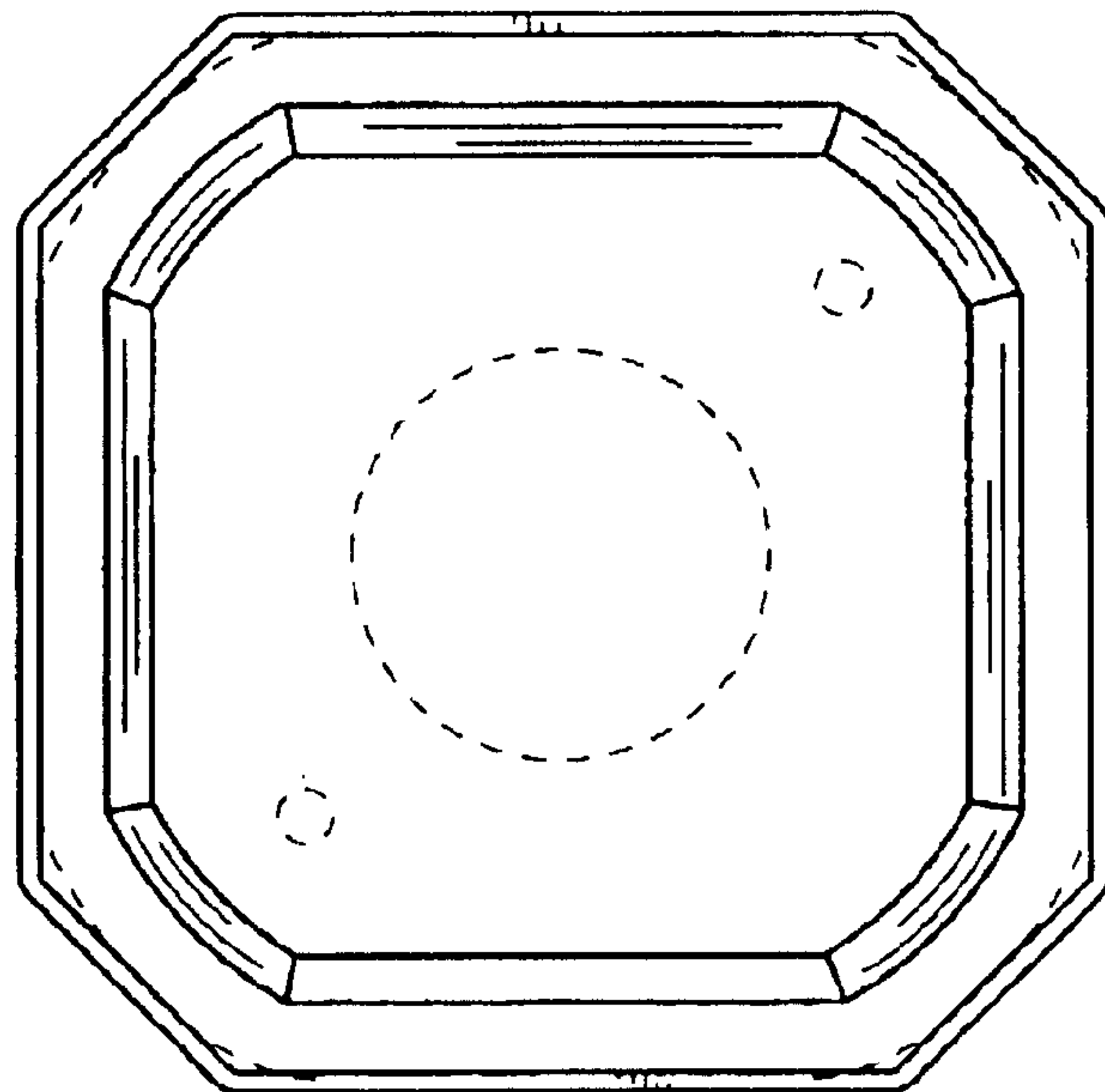


FIG. 5

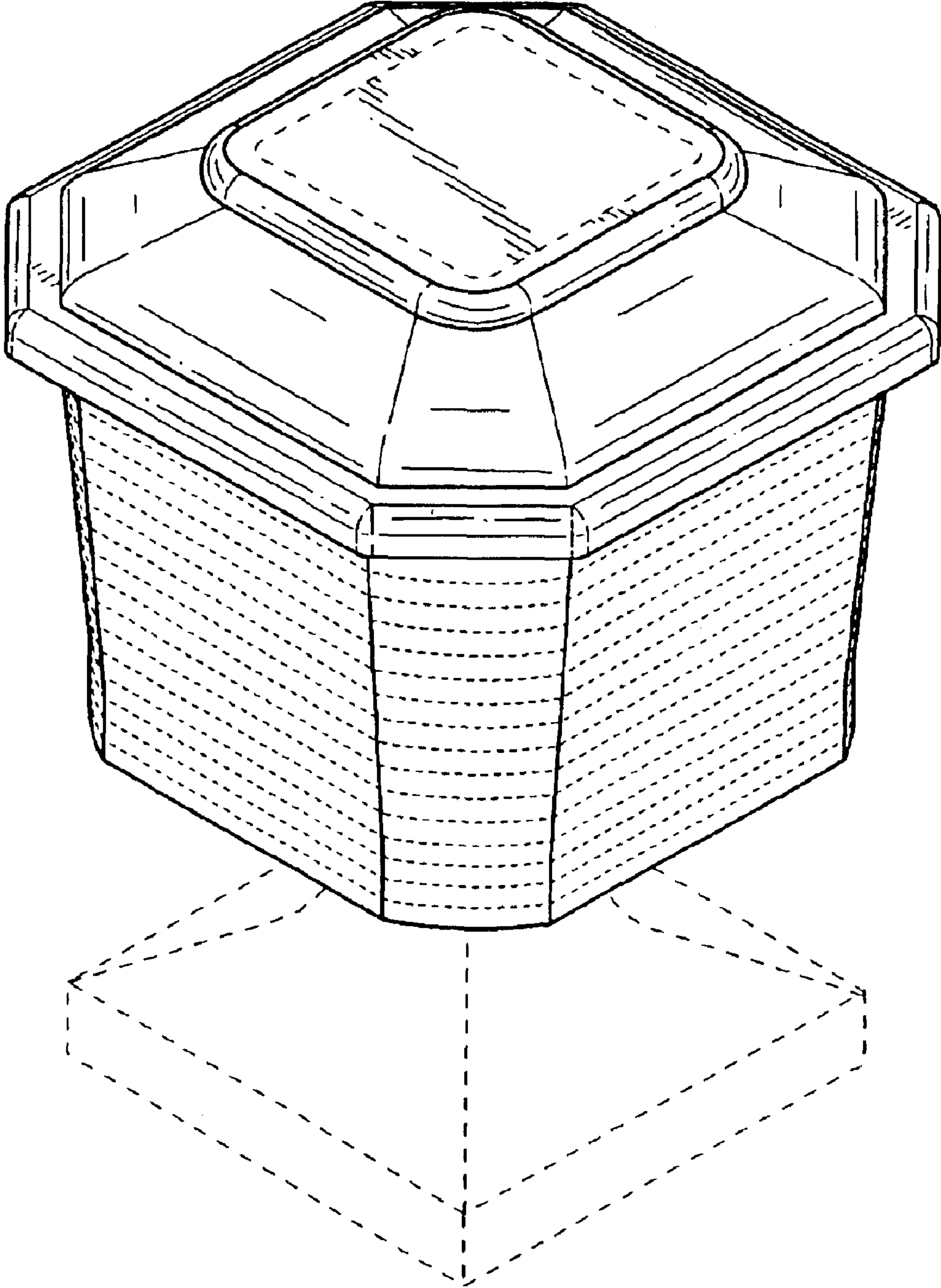


FIG.6