

US00D497022S1

(12) **United States Design Patent**
Bucher et al.

(10) **Patent No.:** **US D497,022 S**
(45) **Date of Patent:** **** Oct. 5, 2004**

(54) **SOLAR POWERED OUTDOOR TIERED
PATH LIGHT WITH STAKE MOUNT**

6,135,623 A * 10/2000 Lin 362/431
D443,941 S * 6/2001 Boeckley D26/67
D464,456 S * 10/2002 Chang D26/67

(75) Inventors: **Charles E. Bucher**, Valrico, FL (US);
John C. Bucher, Ft. Lauderdale, FL
(US)

(73) Assignee: **King of Fans Inc.**, Ft. Lauderdale, FL
(US)

(**) Term: **14 Years**

(21) Appl. No.: **29/183,987**

(22) Filed: **Jun. 19, 2003**

(51) **LOC (7) Cl.** **26-05**

(52) **U.S. Cl.** **D26/67**

(58) **Field of Search** D26/24, 67-73,
D26/80, 82, 84-92, 128; 362/145, 147,
153, 153.1, 186, 257, 276, 312, 330, 351,
354, 358, 361-363, 431-433, 806

(56) **References Cited**

U.S. PATENT DOCUMENTS

4,774,648 A	*	9/1988	Kakuk et al.	362/302
D315,965 S	*	4/1991	Frost	D26/67
D323,567 S		1/1992	Denison et al.	D26/68
D329,100 S	*	9/1992	Hall et al.	D26/67
5,398,180 A	*	3/1995	Lee	362/431
D360,964 S		8/1995	Cullen et al.	D26/68
D366,713 S		1/1996	Cornell et al.	D26/68
D382,308 S		8/1997	Cornell et al.	D26/68
D382,662 S	*	8/1997	Shalvi	D26/68
D391,384 S		2/1998	Lerch	D26/67
D426,011 S		5/2000	Giese et al.	D26/68

OTHER PUBLICATIONS

Intermatic Malibu, Garden Light Model LZ10130, specification sheet. Date unknown. From www.intermatic.com.*
Intermatic Incorporated, Intermatic website. Copyright 2000; Malibu lighting, 10 pages, Jun. 13, 2003.
Intermatic Home Page, Intermatic website. Copyright 2003; Malibu lighting, 34 pages, Jun. 13, 2003.

* cited by examiner

Primary Examiner—Clare E Heflin

(74) *Attorney, Agent, or Firm*—Brian S. Steinberger; Law Offices of Brian S. Steinberger, P.A.

(57) **CLAIM**

The ornamental design for a solar powered outdoor tiered path light with stake mount, as shown and described.

DESCRIPTION

FIG. 1 is a perspective view of a solar powered outdoor tiered path light with stake mount showing our new design; FIG. 2 is a front view thereof with the stake mount being shown broken away for ease of illustration only; FIG. 3 is an enlarged side view of only the housing portion thereof, the stake mount being removed for ease of illustration only; FIG. 4 is a top view thereof; and, FIG. 5 is a bottom view of only the housing portion thereof, the stake mount being removed for ease of illustration only.

1 Claim, 5 Drawing Sheets

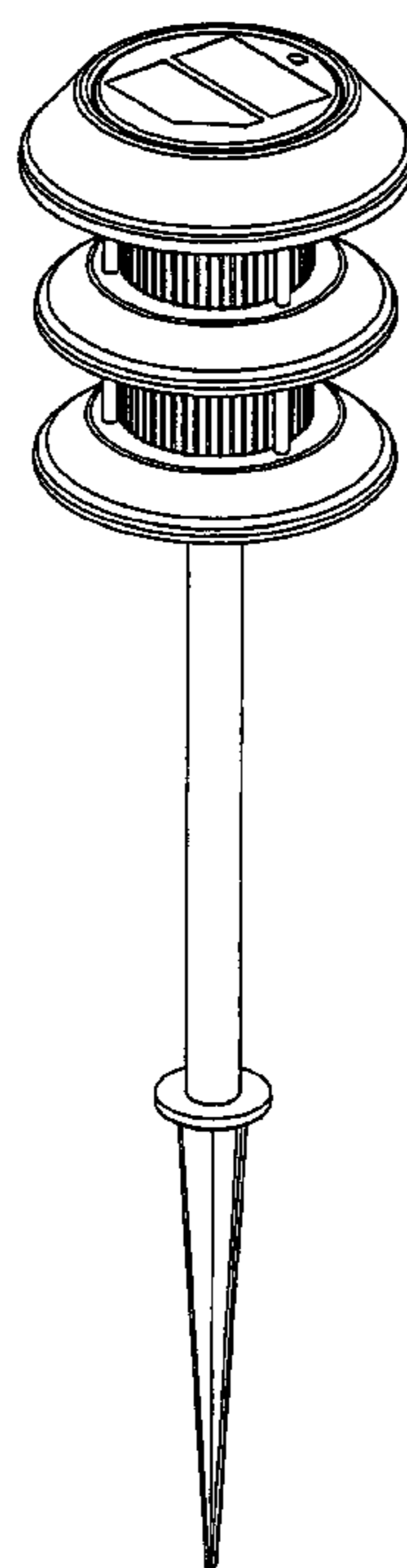


FIG. 1

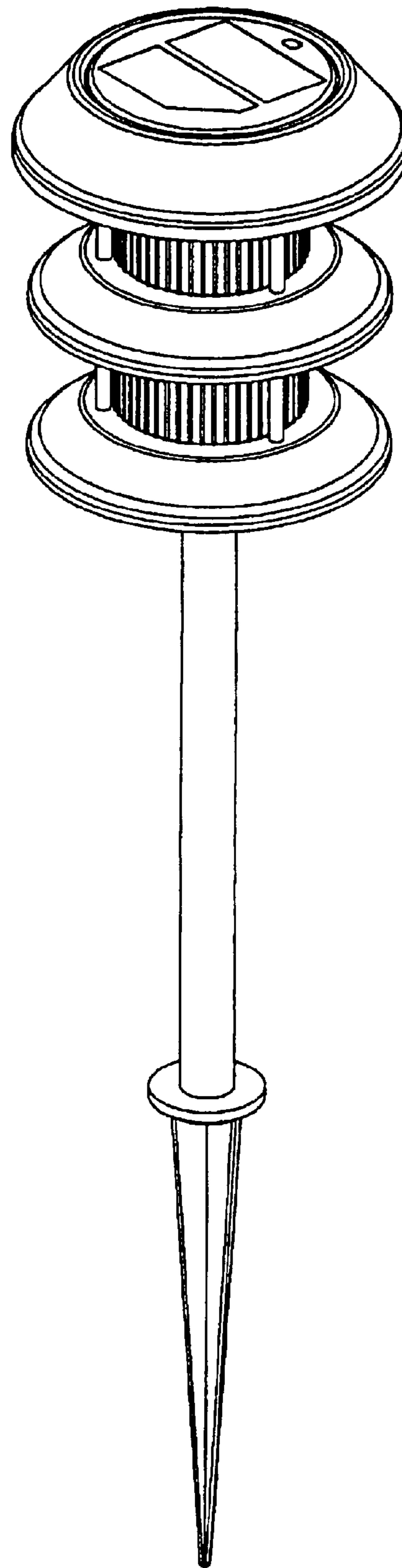


FIG. 2

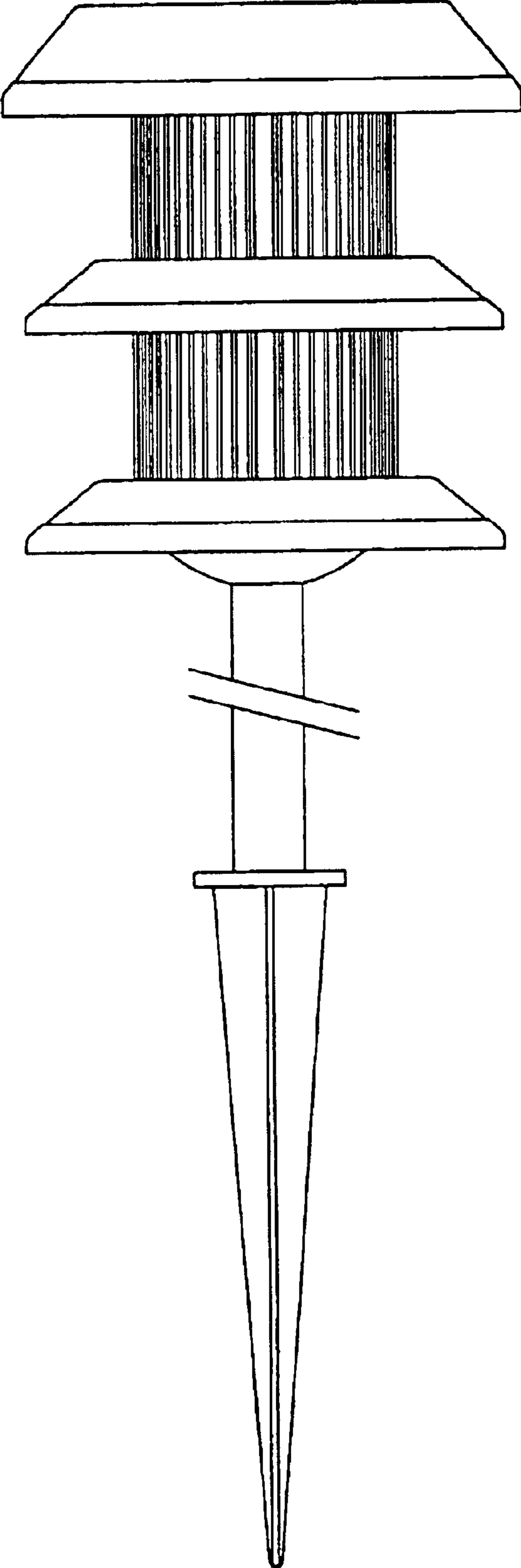


Fig. 3

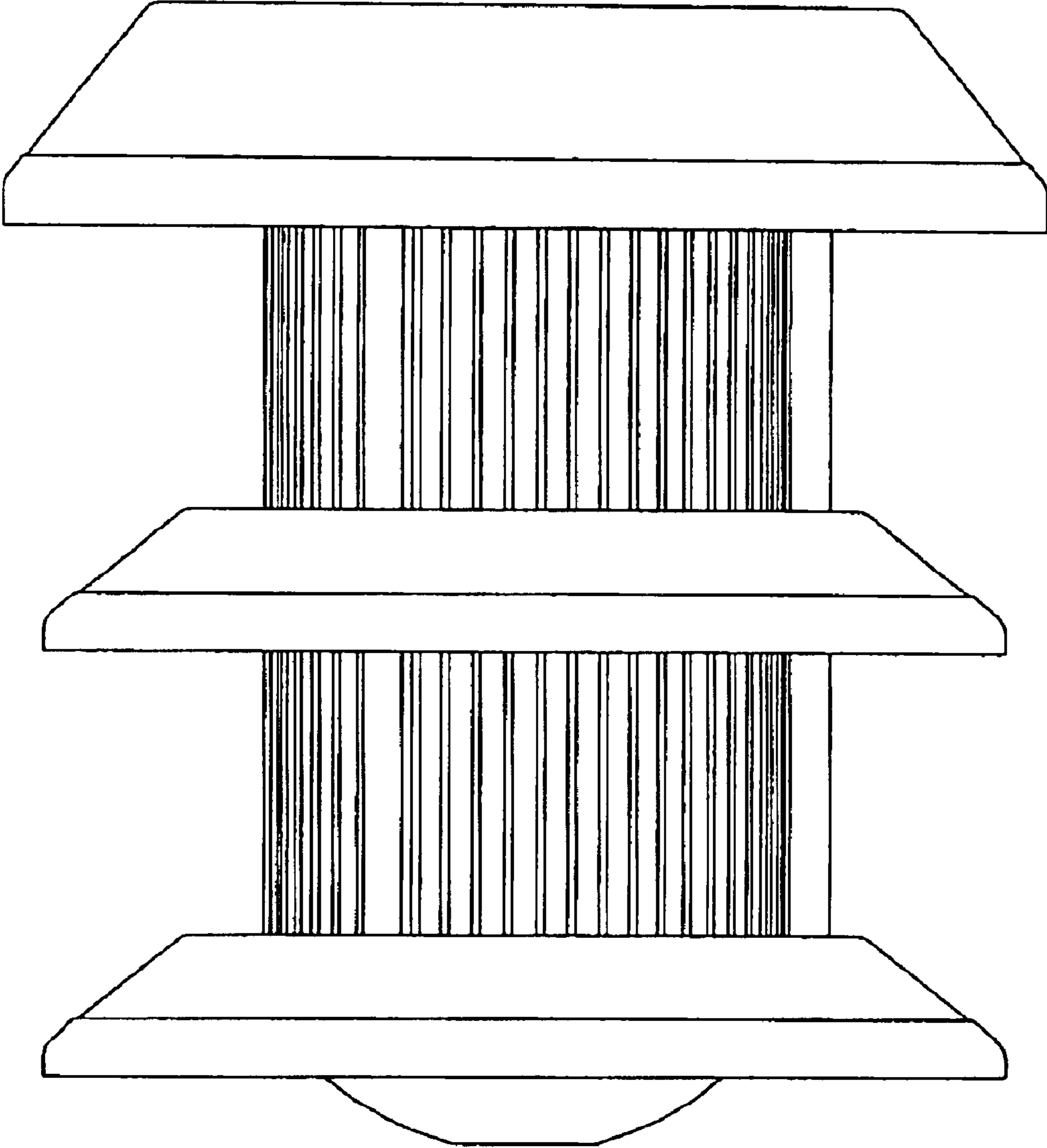


FIG. 4

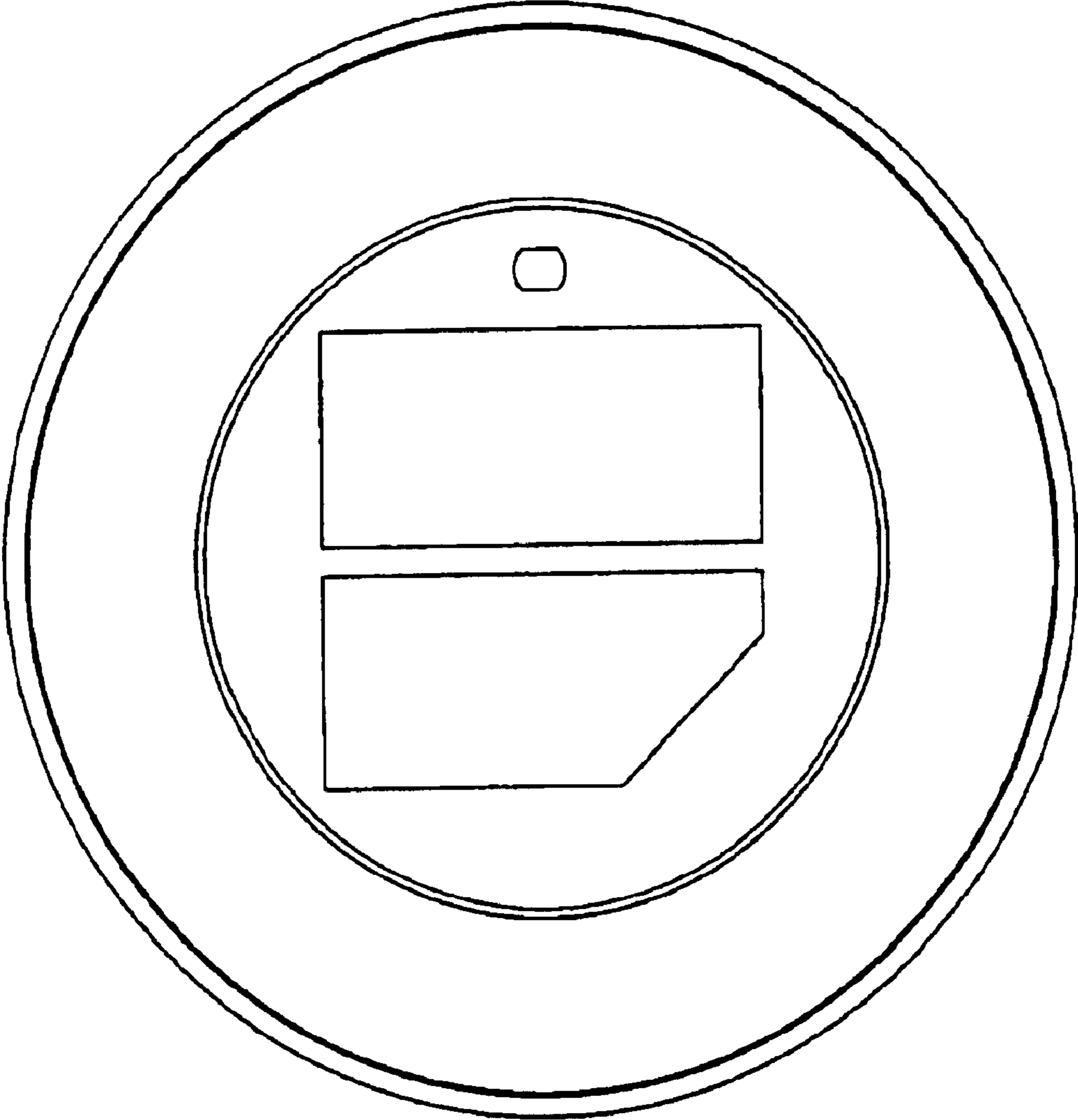


FIG. 5

