

US00D497021S1

(12) **United States Design Patent**
Pu

(10) **Patent No.:** **US D497,021 S**

(45) **Date of Patent:** **** Oct. 5, 2004**

(54) **LIGHT**

(75) **Inventor:** **Mingqiang Pu**, Xinhua (CN)

(73) **Assignee:** **World Factory, Inc.**, Southlake, TX (US)

(**) **Term:** **14 Years**

(21) **Appl. No.:** **29/178,339**

(22) **Filed:** **Mar. 24, 2003**

(51) **LOC (7) Cl.** **26-05**

(52) **U.S. Cl.** **D26/67**

(58) **Field of Search** D26/67, 68, 72,
D26/80-92, 113, 118, 128, 129, 134, 136;
362/147, 153, 153.1, 159, 363, 368, 404-408,
431, 432

(56) **References Cited**

U.S. PATENT DOCUMENTS

D32,529 S	*	4/1900	Stenz	D26/134
673,277 A	*	4/1901	De Marçay	362/225
D37,278 S	*	12/1904	Selling	D26/2
D49,331 S	*	7/1916	Evans	D26/134
D63,977 S	*	2/1924	Snyder	D26/134
D66,853 S	*	3/1925	Heisey	D7/562
D284,311 S	*	6/1986	Patel	D26/67
D341,440 S	*	11/1993	Hsu	D26/87

D346,873 S	*	5/1994	Frost	D26/67
D436,209 S	*	1/2001	De'Armond	D26/72
D445,937 S	*	7/2001	Sanoner	D26/68
D456,936 S	*	5/2002	Hsu	D26/87

* cited by examiner

Primary Examiner—Clare E Heflin

(74) *Attorney, Agent, or Firm*—Melvin A. Hunn

(57) **CLAIM**

The ornamental design for a light, as shown and described.

DESCRIPTION

FIG. 1 is a perspective view of the light according to the present invention.

FIG. 2 is a front view of the light according to the present invention.

FIG. 3 is a right side view of the light according to the present invention.

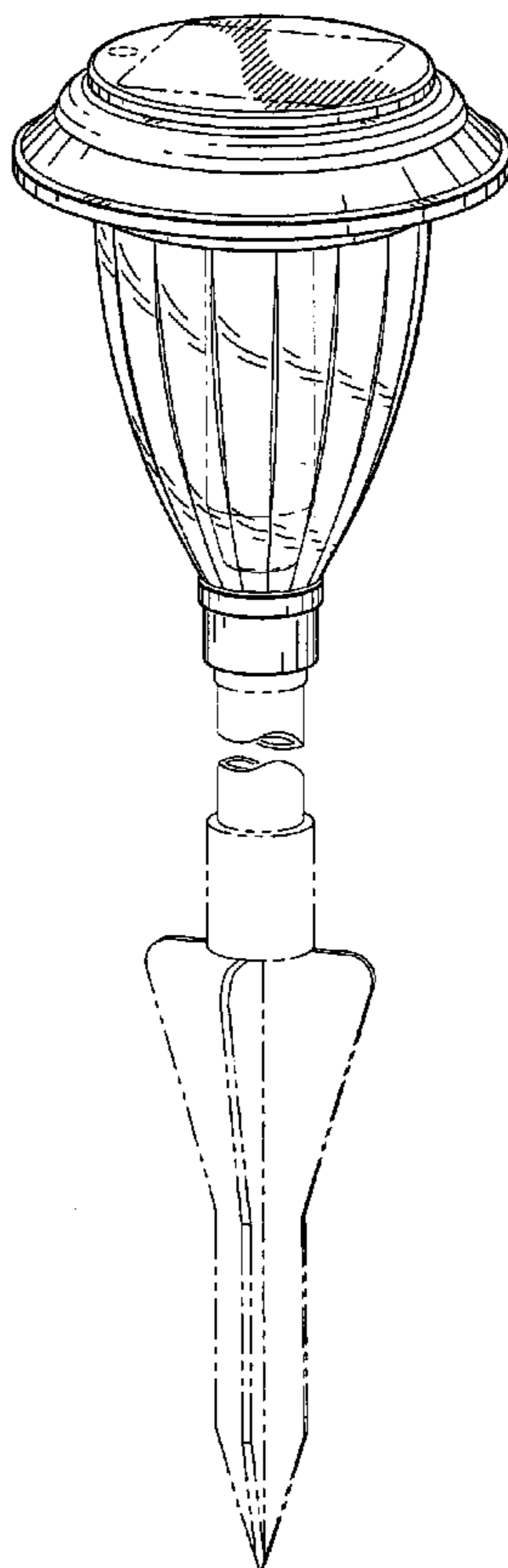
FIG. 4 is a left side view of the light according to the present invention.

FIG. 5 is a bottom view of the light according to the present invention; and,

FIG. 6 is a top view of the light according to the present invention.

The broken lines are for illustrative purposes only and form no part of the claimed invention.

1 Claim, 3 Drawing Sheets



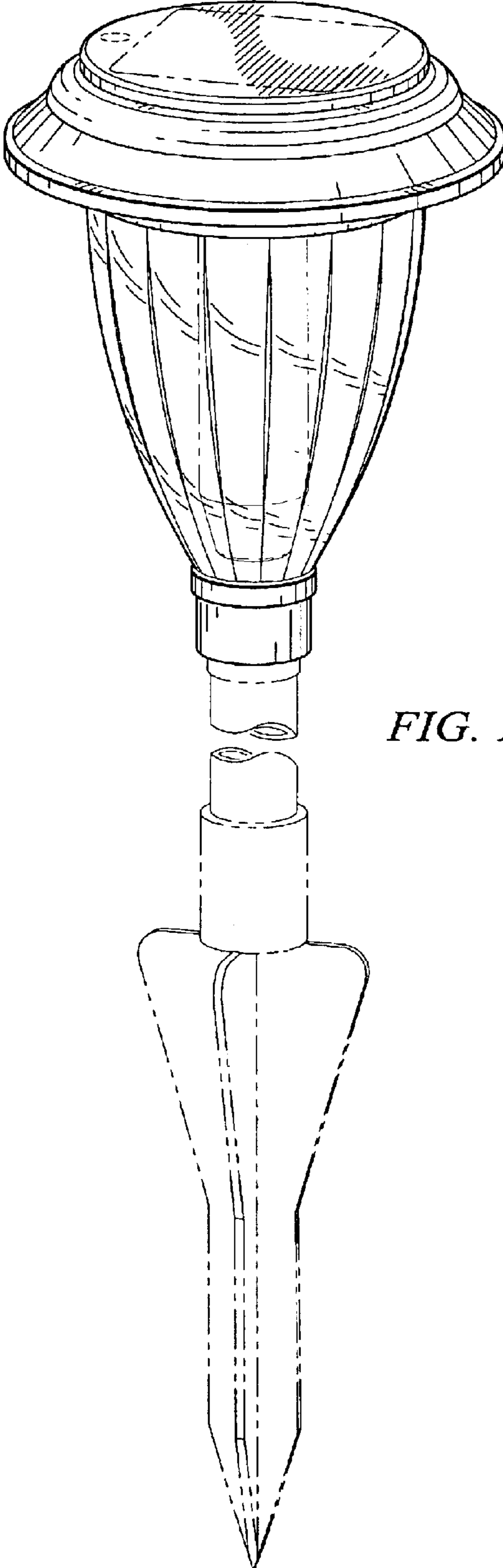


FIG. 1

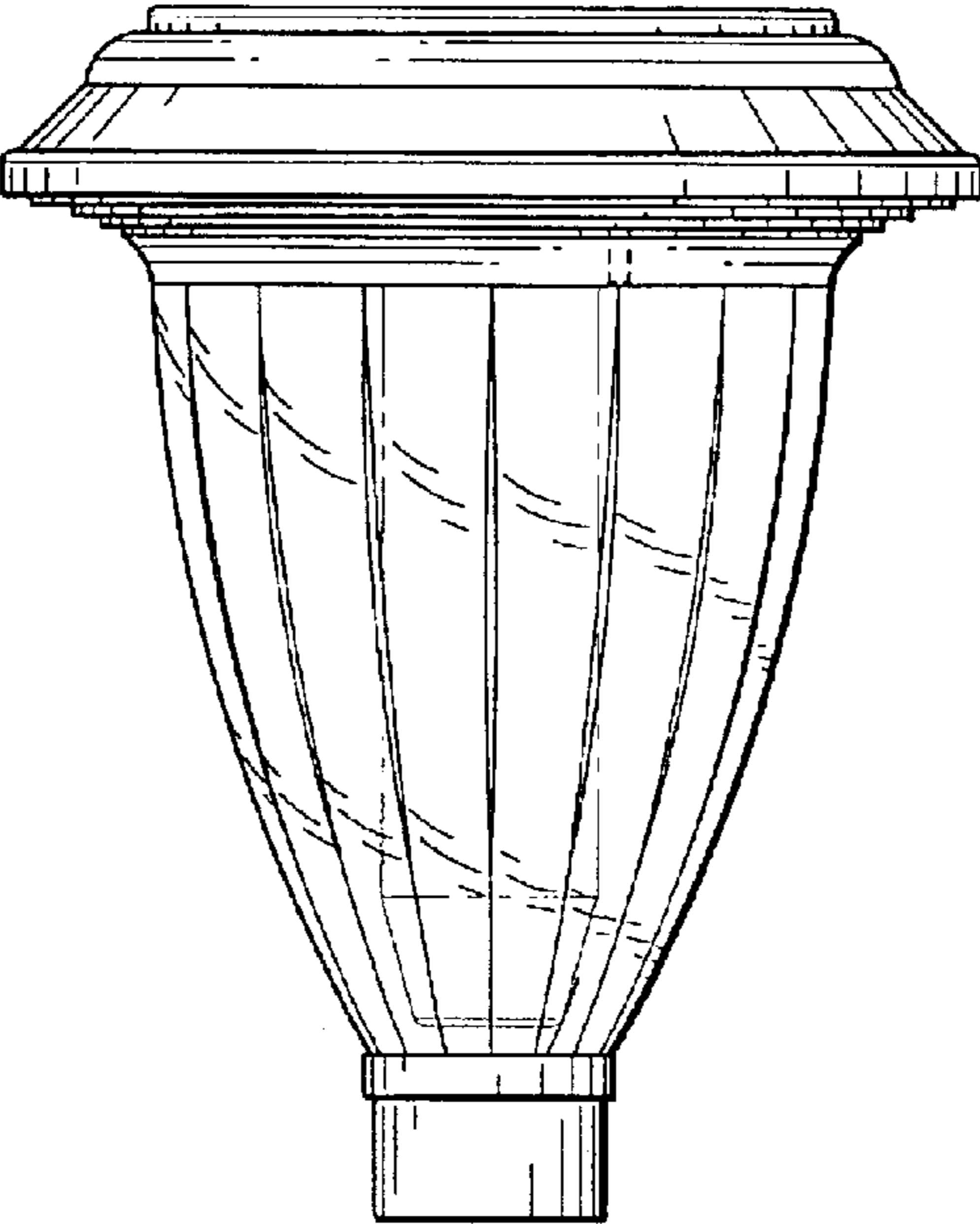


FIG. 2

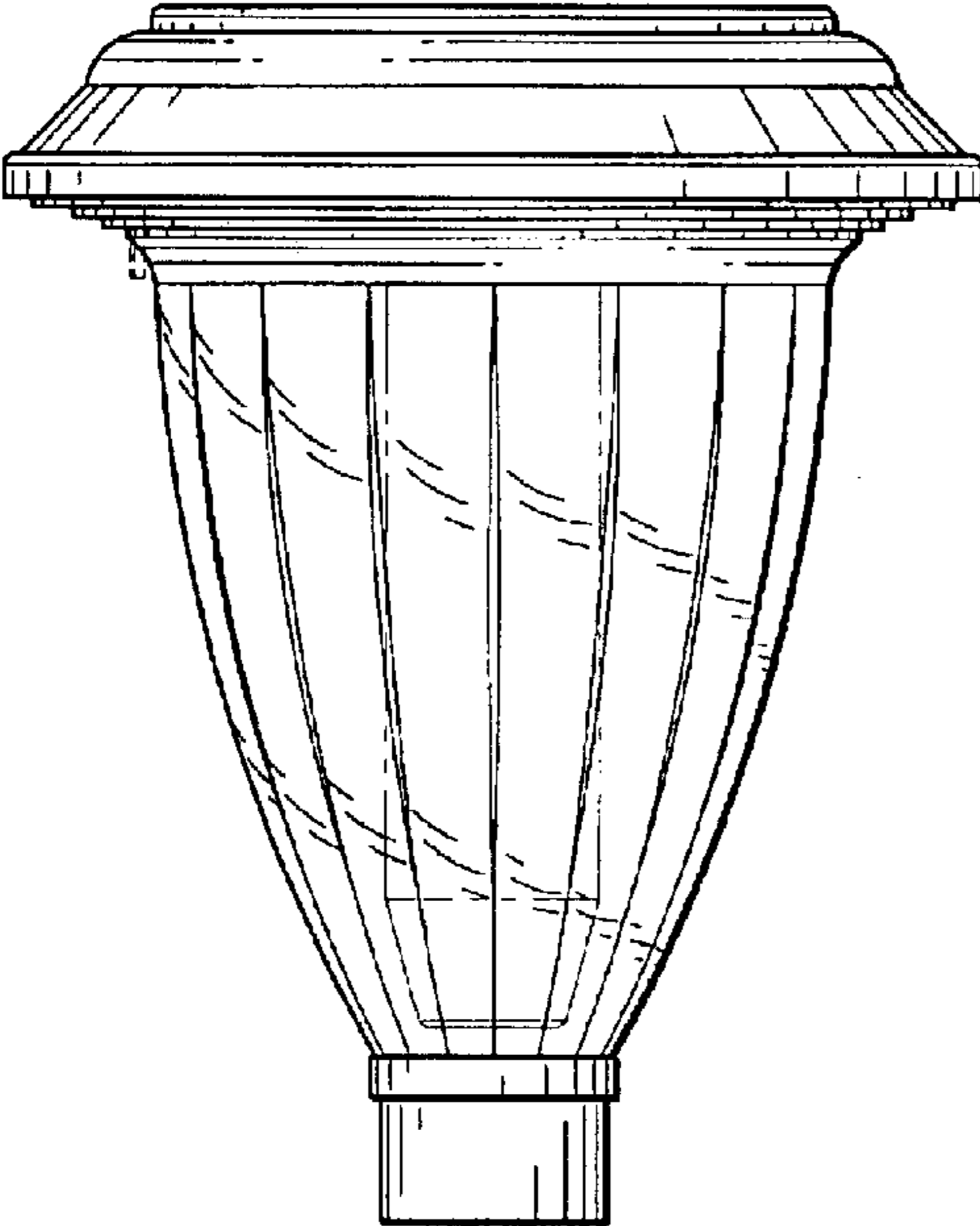


FIG. 3

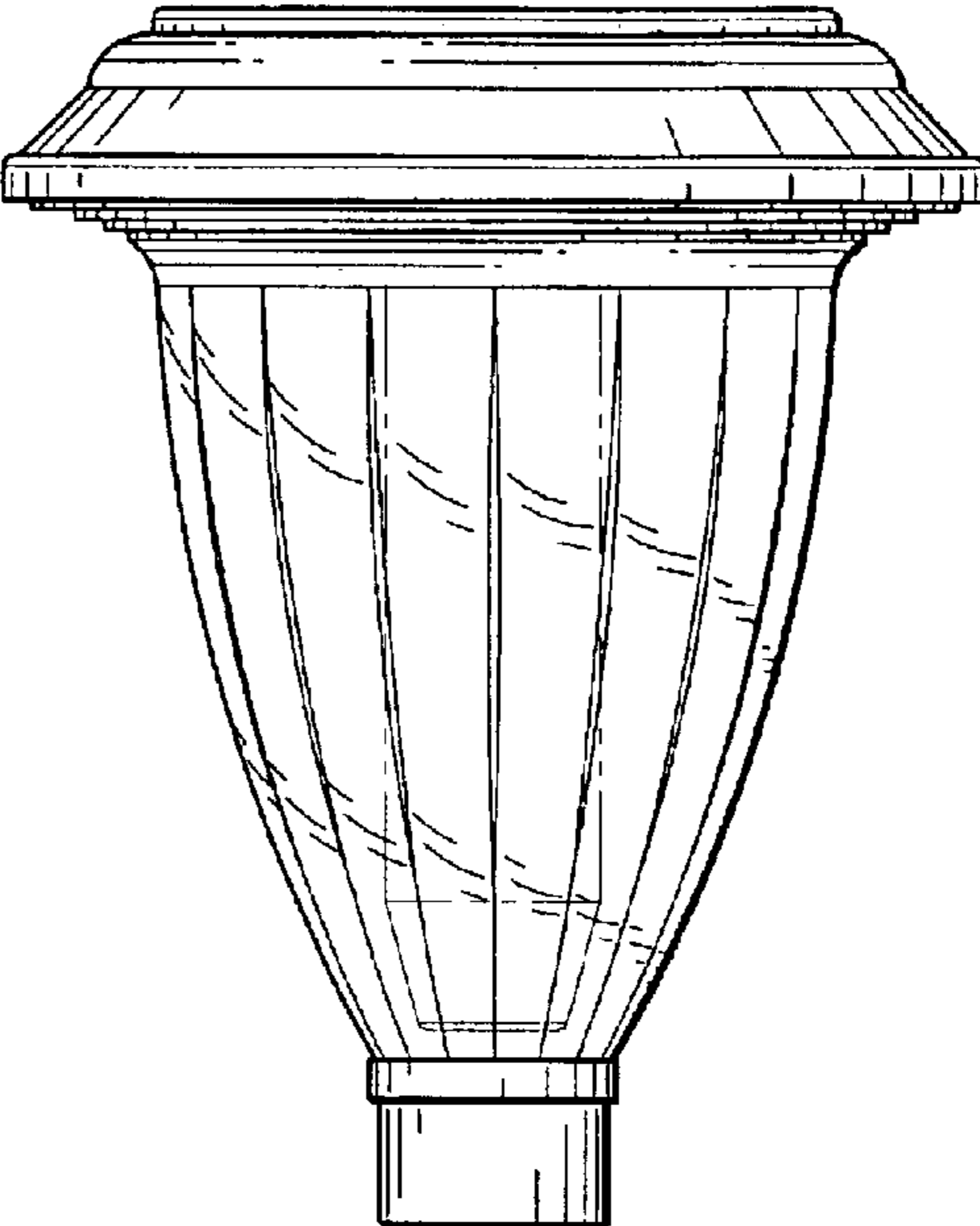


FIG. 4

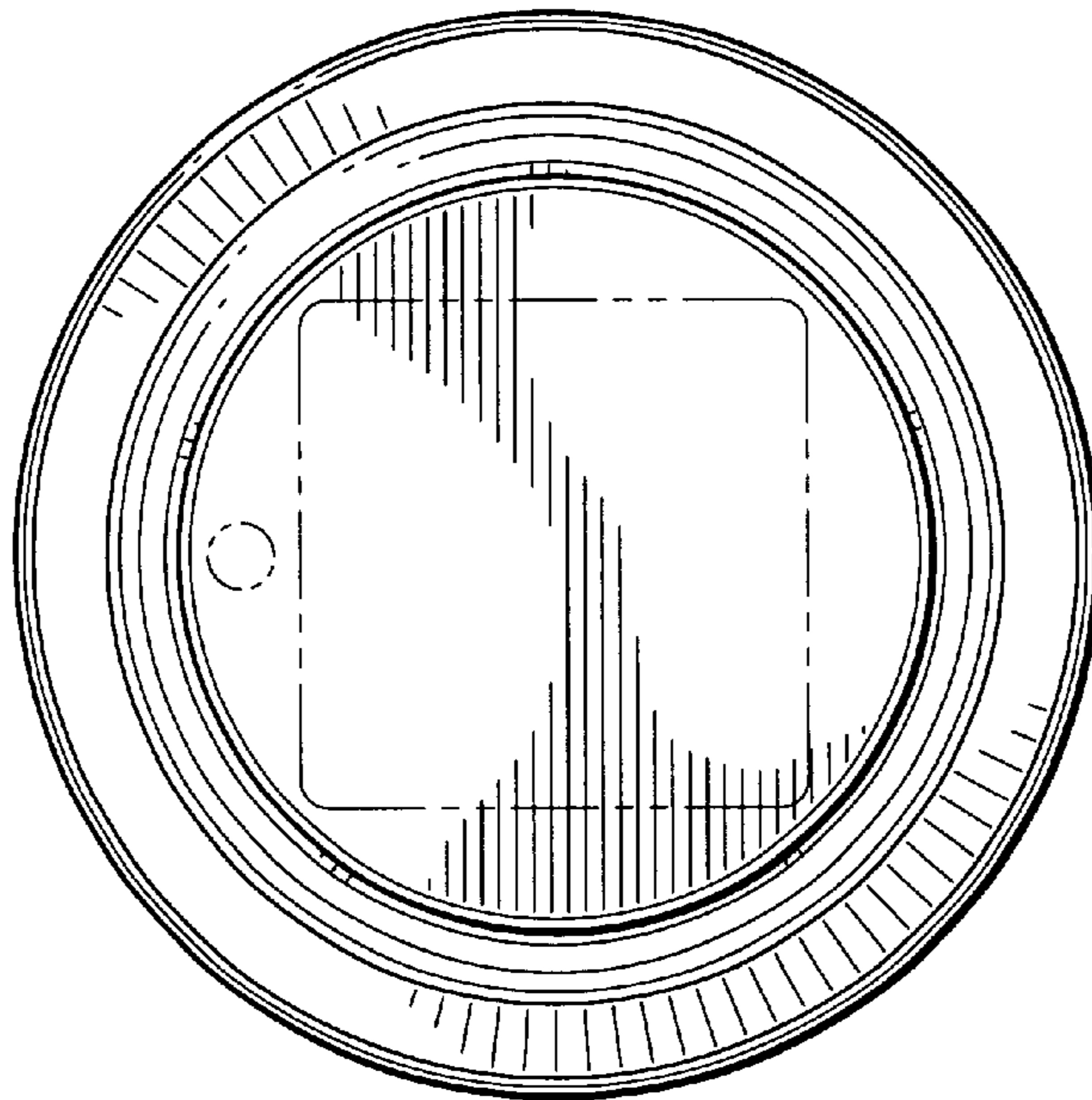


FIG. 5

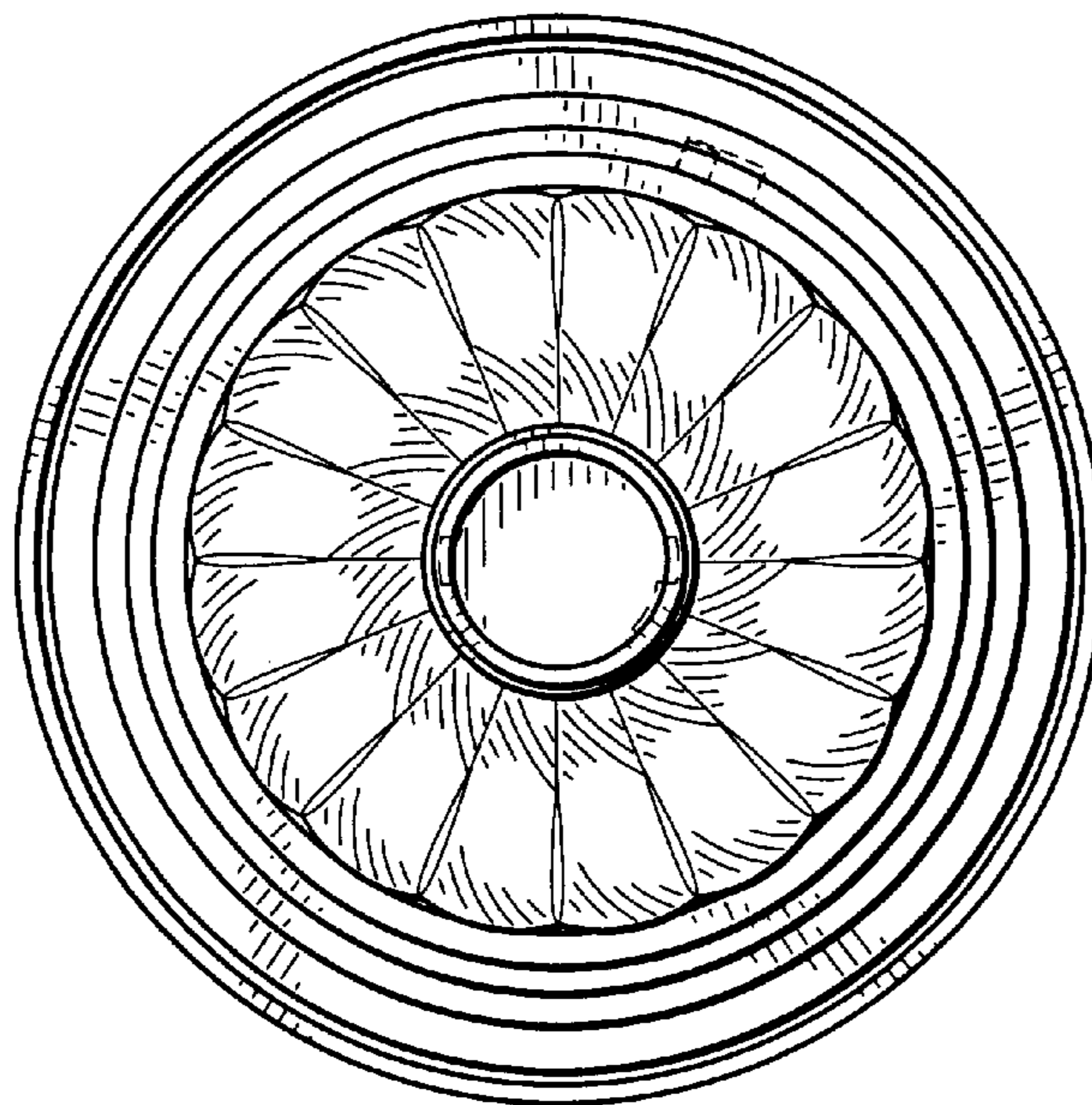


FIG. 6