



US00D497020S1

(12) **United States Design Patent** (10) **Patent No.:** **US D497,020 S**  
**Lee** (45) **Date of Patent:** **\*\* Oct. 5, 2004**

(54) **HANDHELD FLASHLIGHT**

(76) **Inventor:** **Kwok Lang Lee**, Flat G. 10th Floor,  
Block 7, Tai Po Centre, 8 On Pong  
Road, Tai Po, New Territories (HK)

(\*\*) **Term:** **14 Years**

(21) **Appl. No.:** **29/199,083**

(22) **Filed:** **Feb. 9, 2004**

(51) **LOC (7) Cl.** ..... **26-02**

(52) **U.S. Cl.** ..... **D26/49**

(58) **Field of Search** ..... D26/37-50; 362/157,  
362/158, 171-174, 183-208

(56) **References Cited**

**U.S. PATENT DOCUMENTS**

D351,672 S	10/1994	Tsay	
D380,060 S	6/1997	Chiang	
D392,402 S	3/1998	Chen	
D417,022 S	11/1999	Chiu	
D419,254 S	1/2000	Chiu	
D421,657 S	3/2000	Siebert	
D428,504 S	7/2000	Sounders	
D434,164 S	11/2000	Galli	
D455,510 S	4/2002	Galli	
D455,513 S	4/2002	Galli	
D467,022 S	* 12/2002	Fritz	..... D26/49
D486,936 S	* 2/2004	Shiu	..... D26/49
D486,937 S	* 2/2004	Shiu	..... D26/49

\* cited by examiner

*Primary Examiner*—Marcus A. Jackson  
(74) *Attorney, Agent, or Firm*—John McMahon

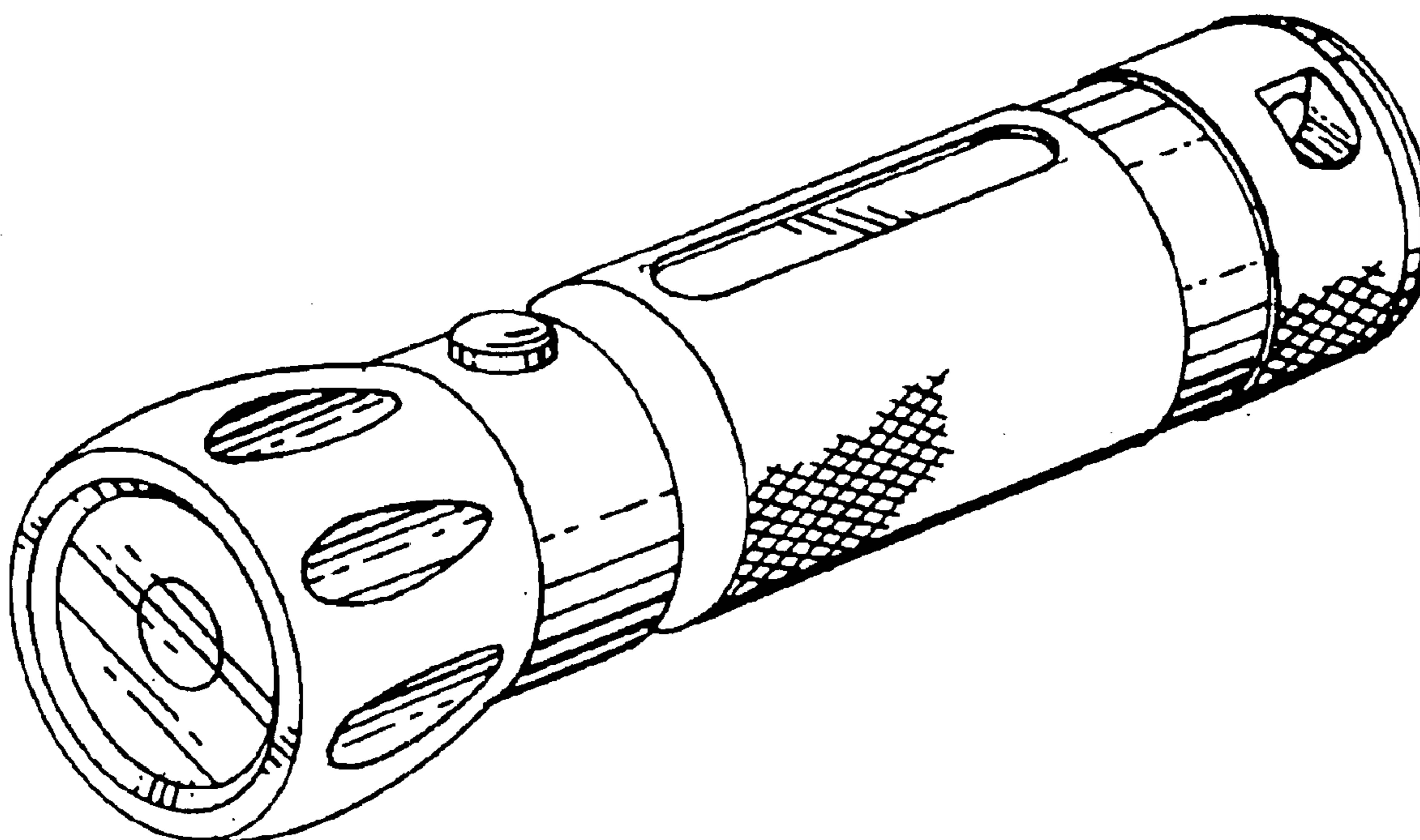
(57) **CLAIM**

The ornamental design for a handheld flashlight, as shown and described.

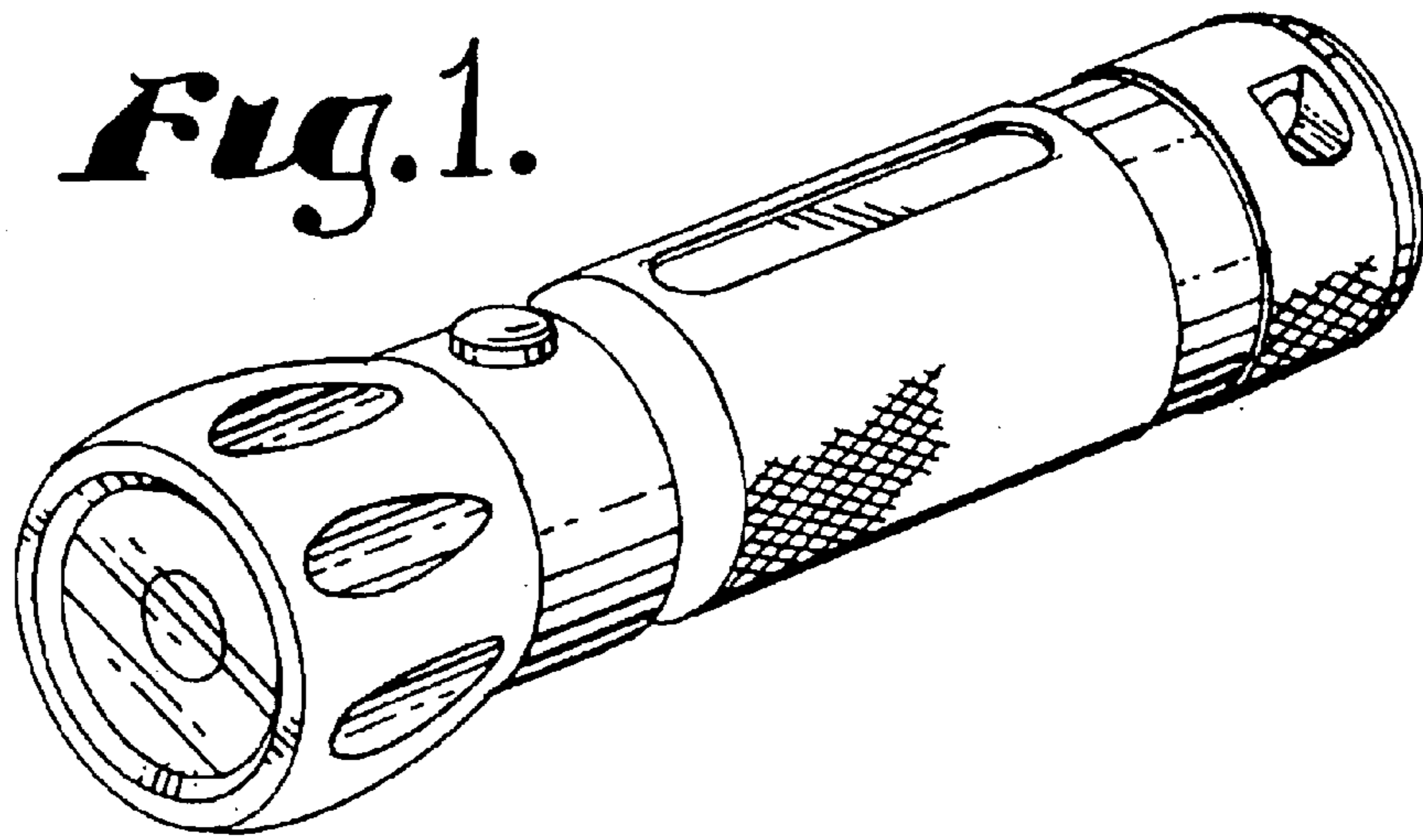
**DESCRIPTION**

FIG. 1 is a perspective view of a first embodiment of a handheld flashlight in accordance with the present invention; FIG. 2 is a top plan view of the first embodiment of the handheld flashlight; FIG. 3 is a first side elevational view of the first embodiment of the handheld flashlight with a second side elevational view being a mirror image thereof; FIG. 4 is a bottom plan view of the first embodiment of the handheld flashlight; FIG. 5 is a front elevational view of the first embodiment of the handheld flashlight; FIG. 6 is a rear elevational view of the first embodiment of the handheld flashlight; FIG. 7 is a perspective view of a second embodiment of a handheld flashlight in accordance with the present invention; FIG. 8 is a top plan view of the second embodiment of the handheld flashlight; FIG. 9 is a first side elevational view of the second embodiment of the handheld flashlight with a second side elevational view being a mirror image thereof; FIG. 10 is a bottom plan view of the second embodiment of the handheld flashlight; FIG. 11 is a front elevational view of the second embodiment of the handheld flashlight; and, FIG. 12 is a rear elevational view of the second embodiment of the handheld flashlight.

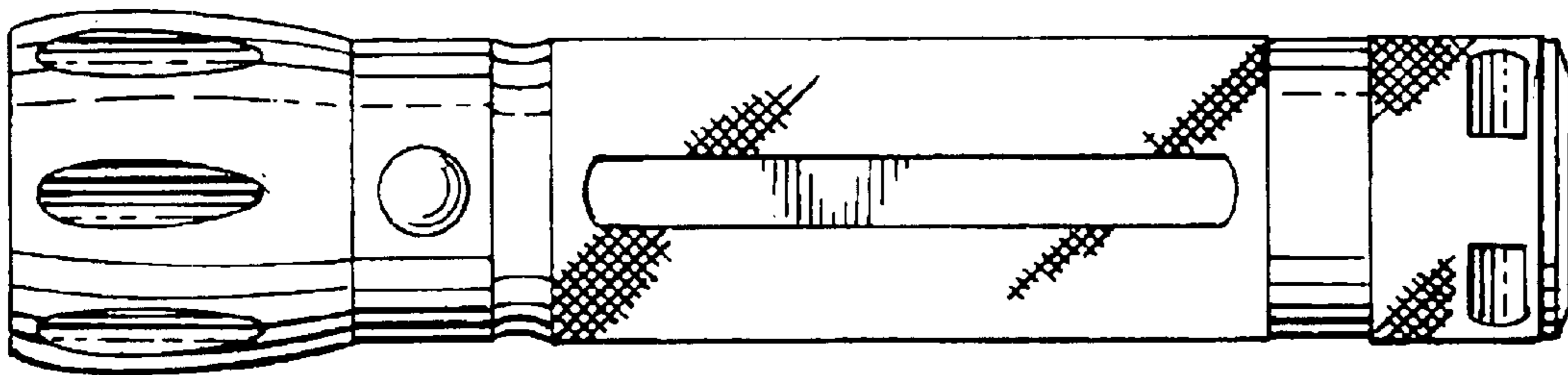
**1 Claim, 4 Drawing Sheets**



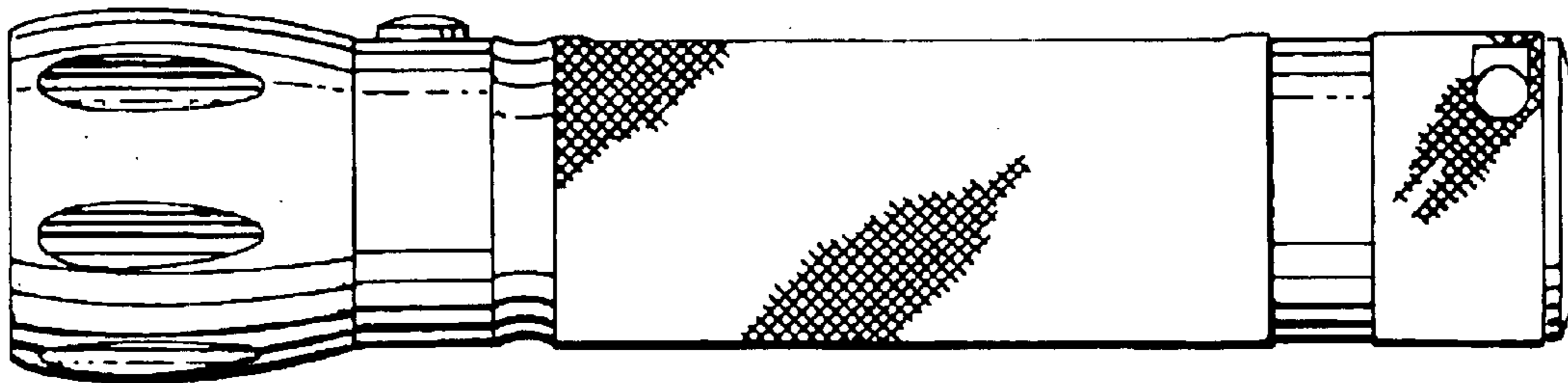
*Fig. 1.*



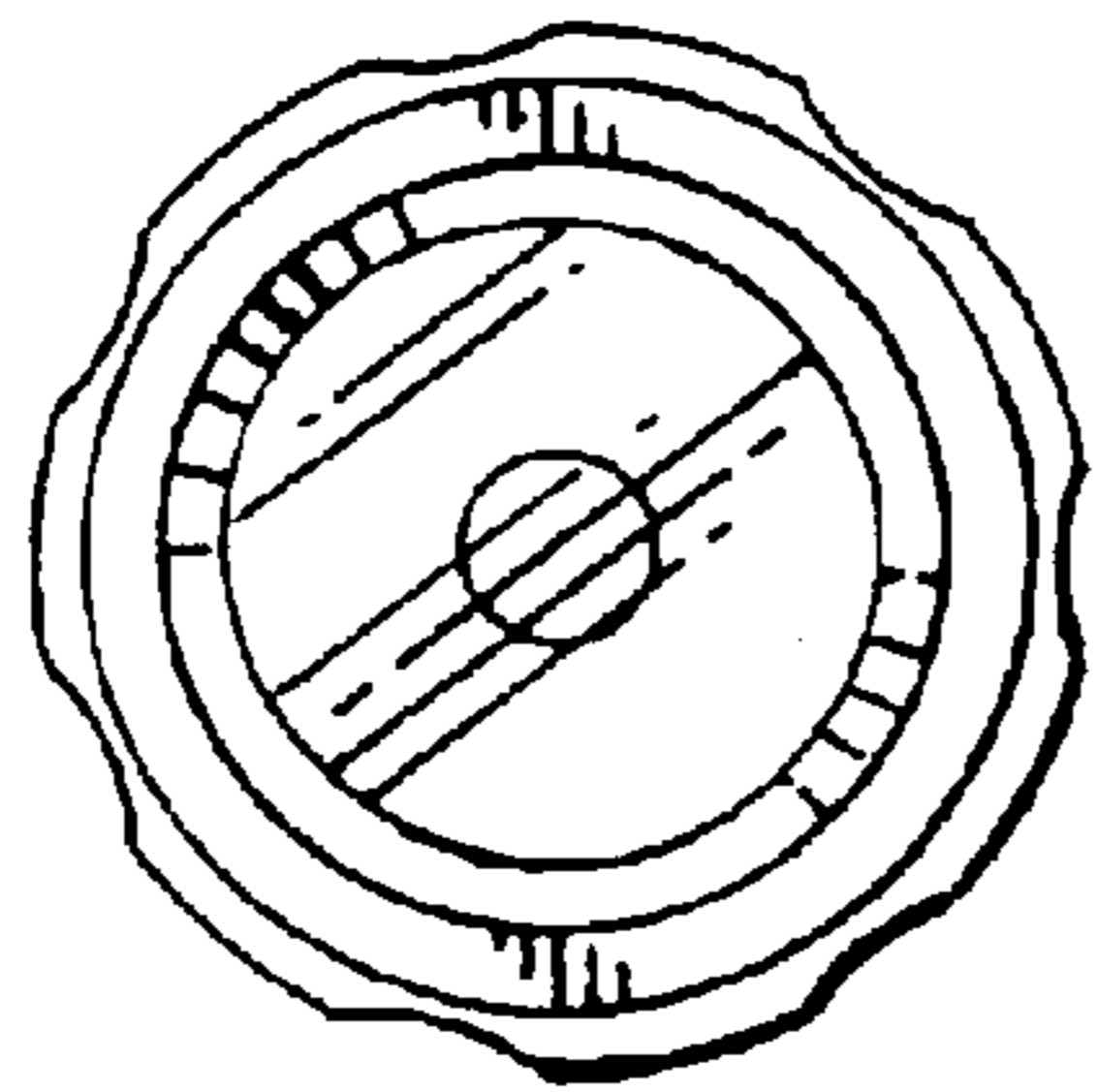
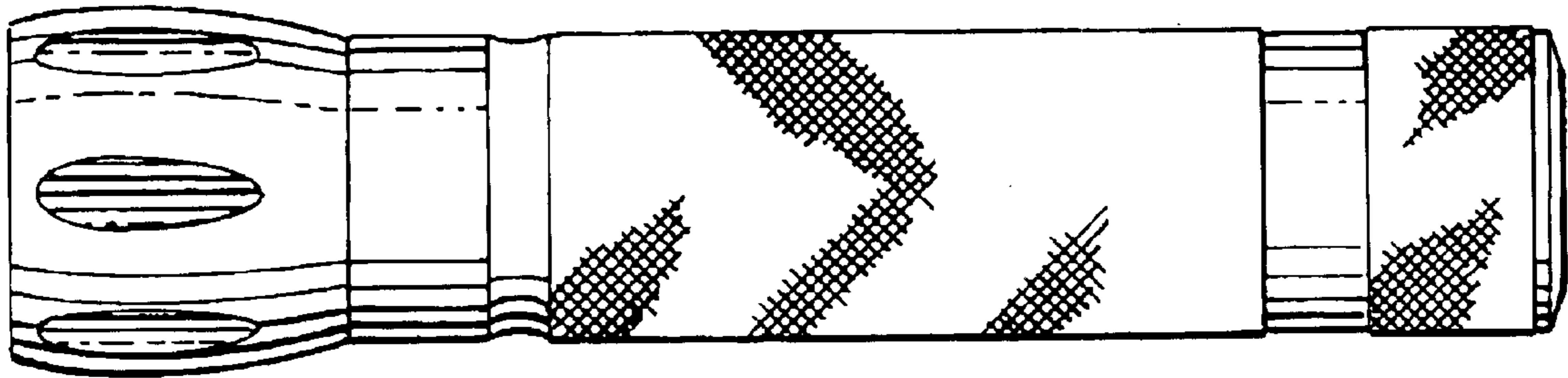
*Fig. 2.*



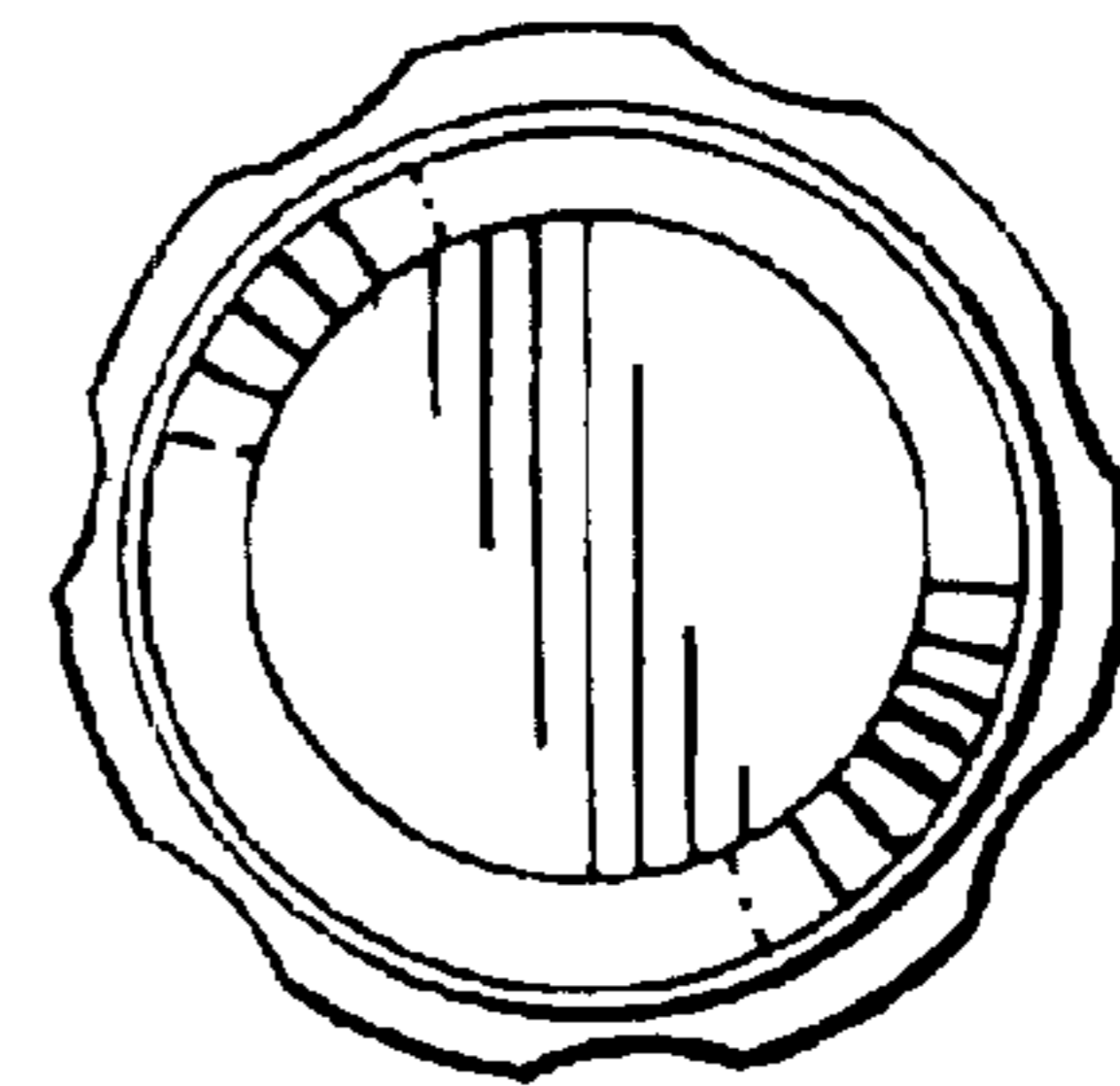
*Fig. 3.*



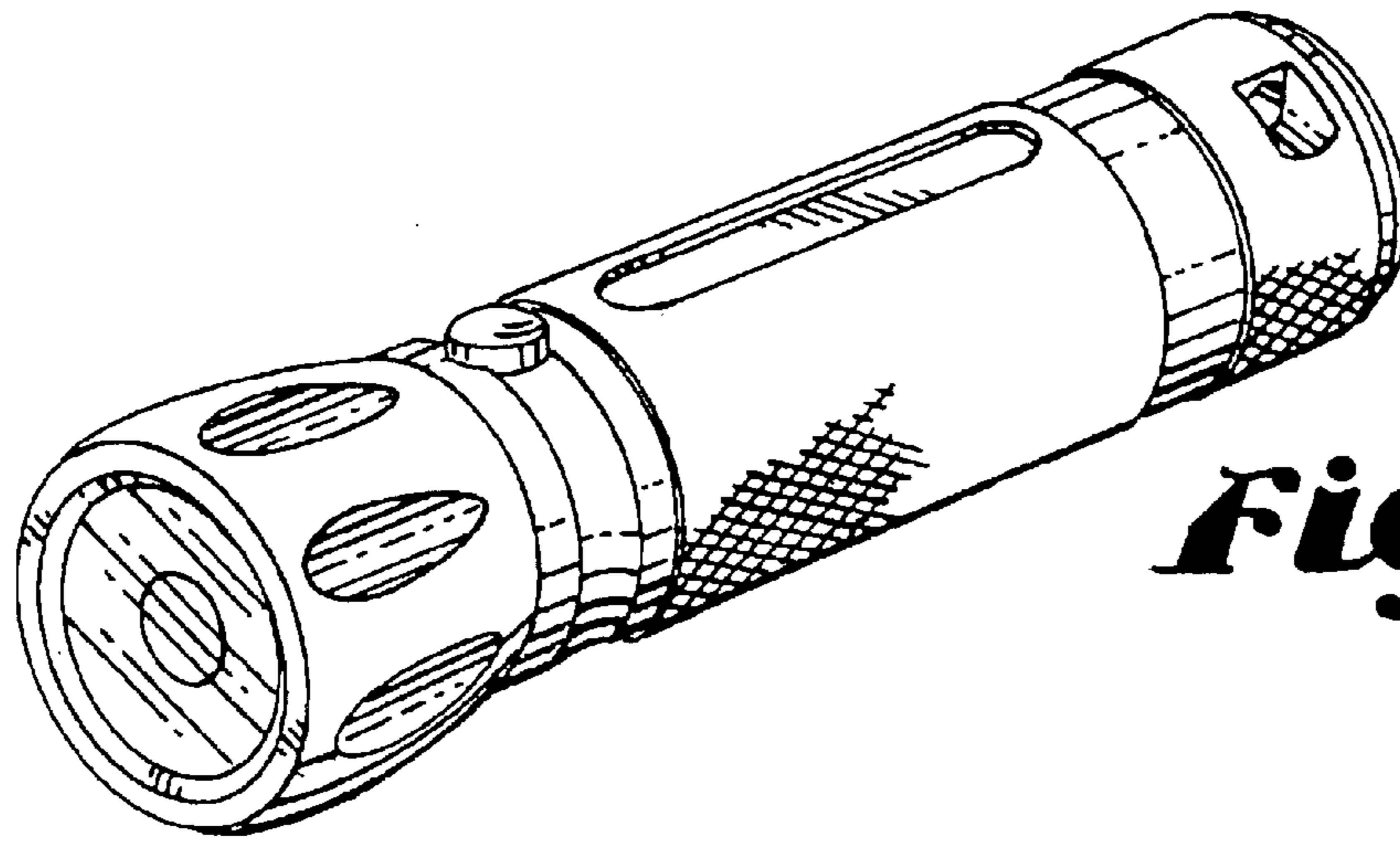
*Fig. 4.*



*Fig. 5.*

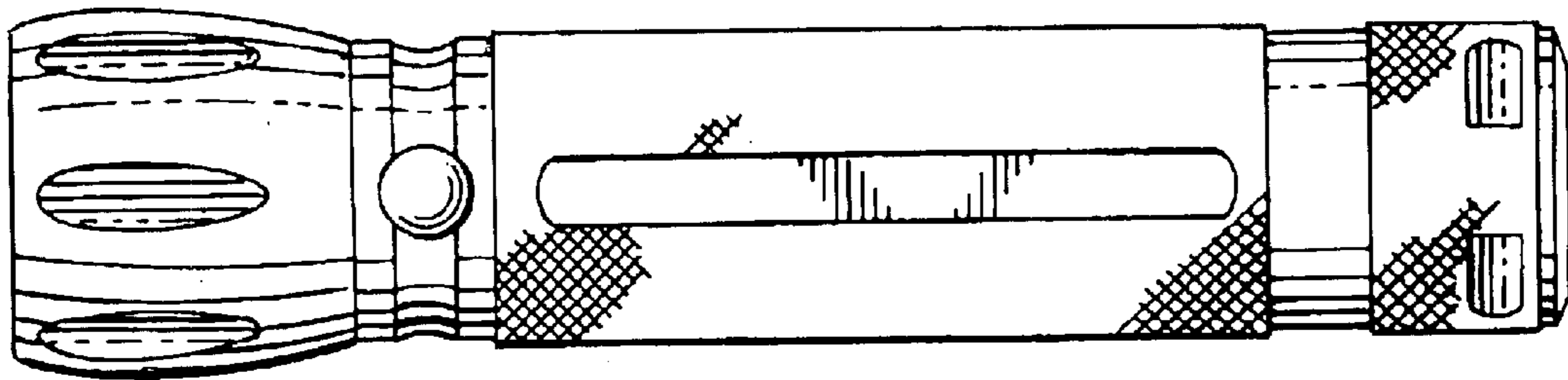


*Fig. 6.*

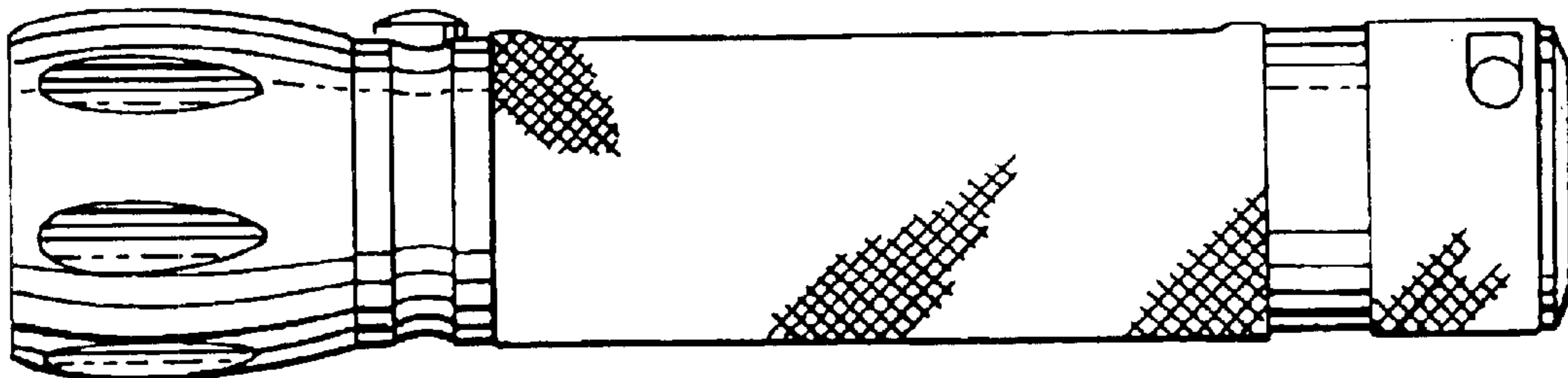


***Fig. 7.***

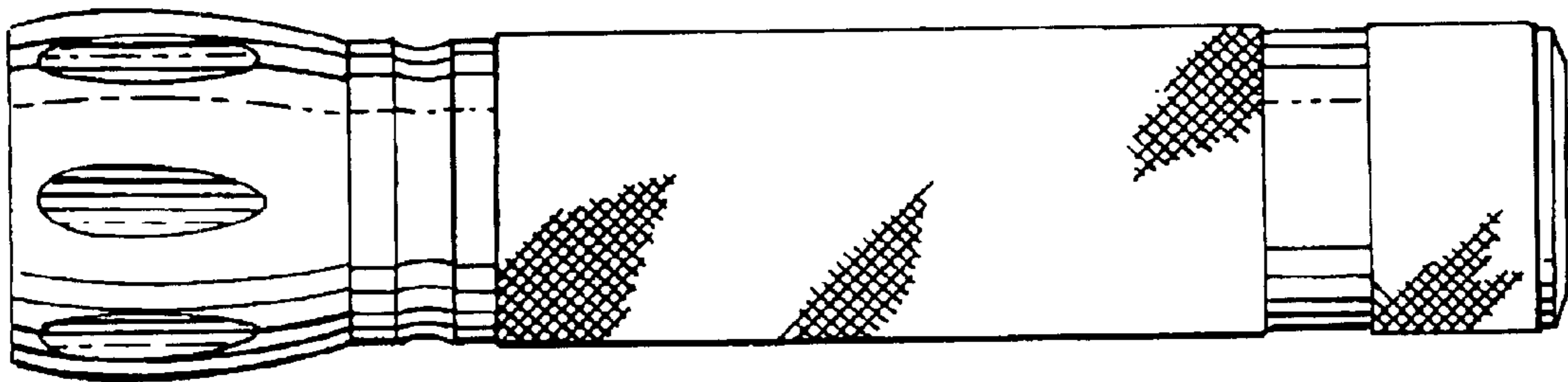
***Fig. 8.***



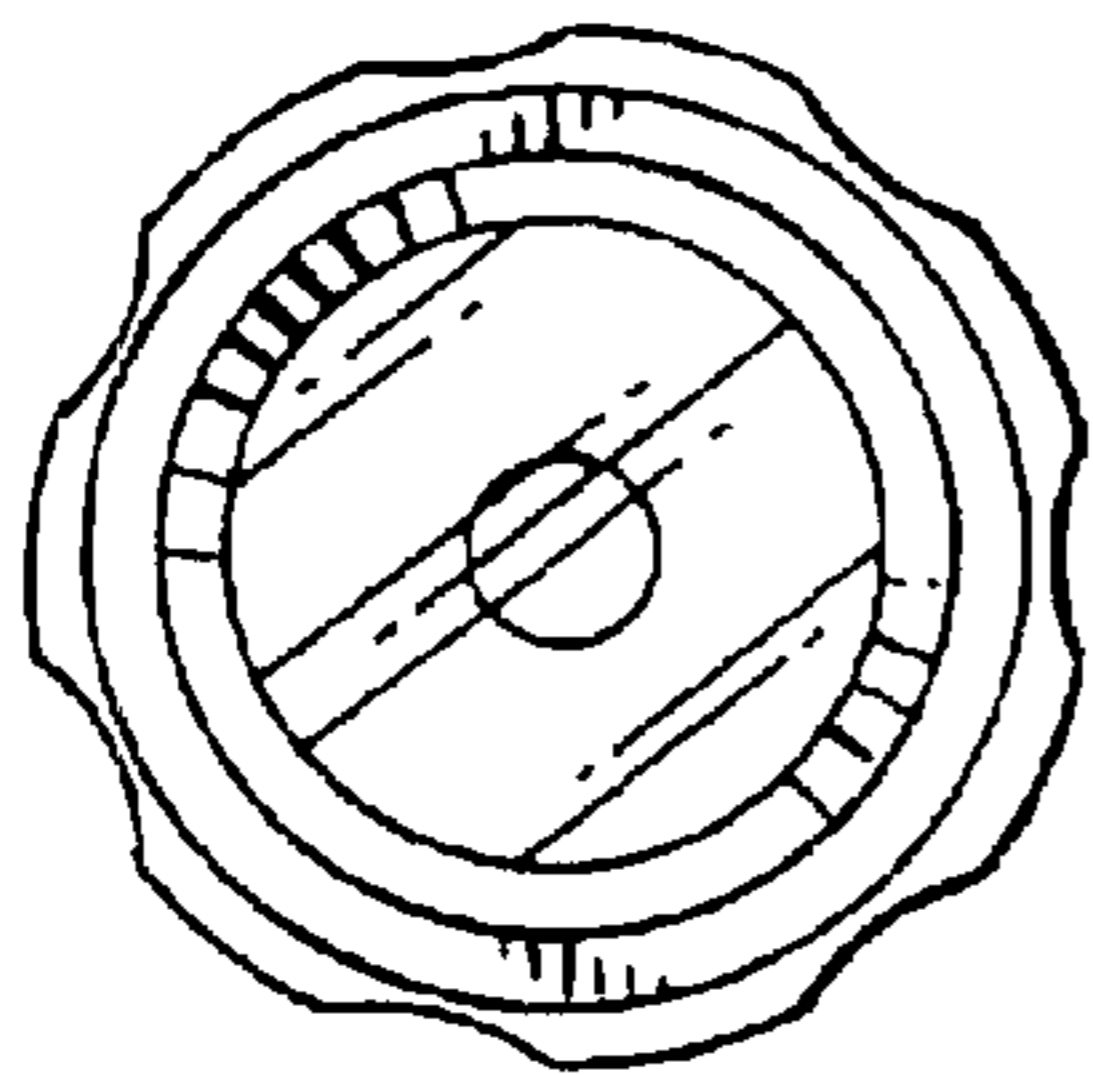
***Fig. 9.***



*Fig. 10.*



*Fig. 12*



*Fig. 11.*

