

US00D497011S1

(12) **United States Design Patent** (10) **Patent No.:** **US D497,011 S**
Poliacek et al. (45) **Date of Patent:** **** Oct. 5, 2004**

(54) **OCTAGON TILE MODULE**

(76) Inventors: **Jiri Poliacek**, 1429 W. 134th St., Suite #4, Gardena, CA (US) 90249; **Jirina Jordan**, 1429 W. 134th St., Suite #4, Gardena, CA (US) 90249

(**) Term: **14 Years**

(21) Appl. No.: **29/193,008**

(22) Filed: **Oct. 30, 2003**

(51) **LOC (7) Cl.** **25-01**

(52) **U.S. Cl.** **D25/138**

(58) **Field of Search** D25/138, 151, D25/157, 161; 428/14, 33, 45; 52/311.1, 314, 316, 384, 390, 415

(56) **References Cited**

U.S. PATENT DOCUMENTS

5,438,809 A	8/1995	Ehrlich	52/390
5,447,004 A	9/1995	Vrnak	52/387
D365,160 S	* 12/1995	Tinen	D25/138
RE35,380 E	11/1996	Rea et al.	52/387
6,138,423 A	10/2000	Poutanen et al.	52/384
6,260,326 B1	7/2001	Muller-Hartburg	52/601
D470,602 S	* 2/2003	Pate	D25/138
D486,592 S	* 2/2004	Hong	D25/138

* cited by examiner

Primary Examiner—Doris Clark

(74) *Attorney, Agent, or Firm*—Cislo & Thomas LLP

(57) **CLAIM**

The ornamental design for a octagon tile module, as shown and described.

DESCRIPTION

FIG. 1. Is a front perspective view of our octagon tile module;

FIG. 2. Is a top plan view thereof;

FIG. 3. Is a front elevational view thereof with the right, left and rear elevational views being mirror images thereof.

FIG. 4. Is a front perspective view of a second embodiment of our octagon tile module;

FIG. 5. Is a top plan view of the FIG. 4 embodiment;

FIG. 6. Is a front elevational view of the FIG. 4 embodiment with the right, left and rear elevational views being mirror images thereof;

FIG. 7. Is a front perspective view of a third embodiment of our octagon tile module;

FIG. 8. Is a top plan view of the FIG. 7 embodiment;

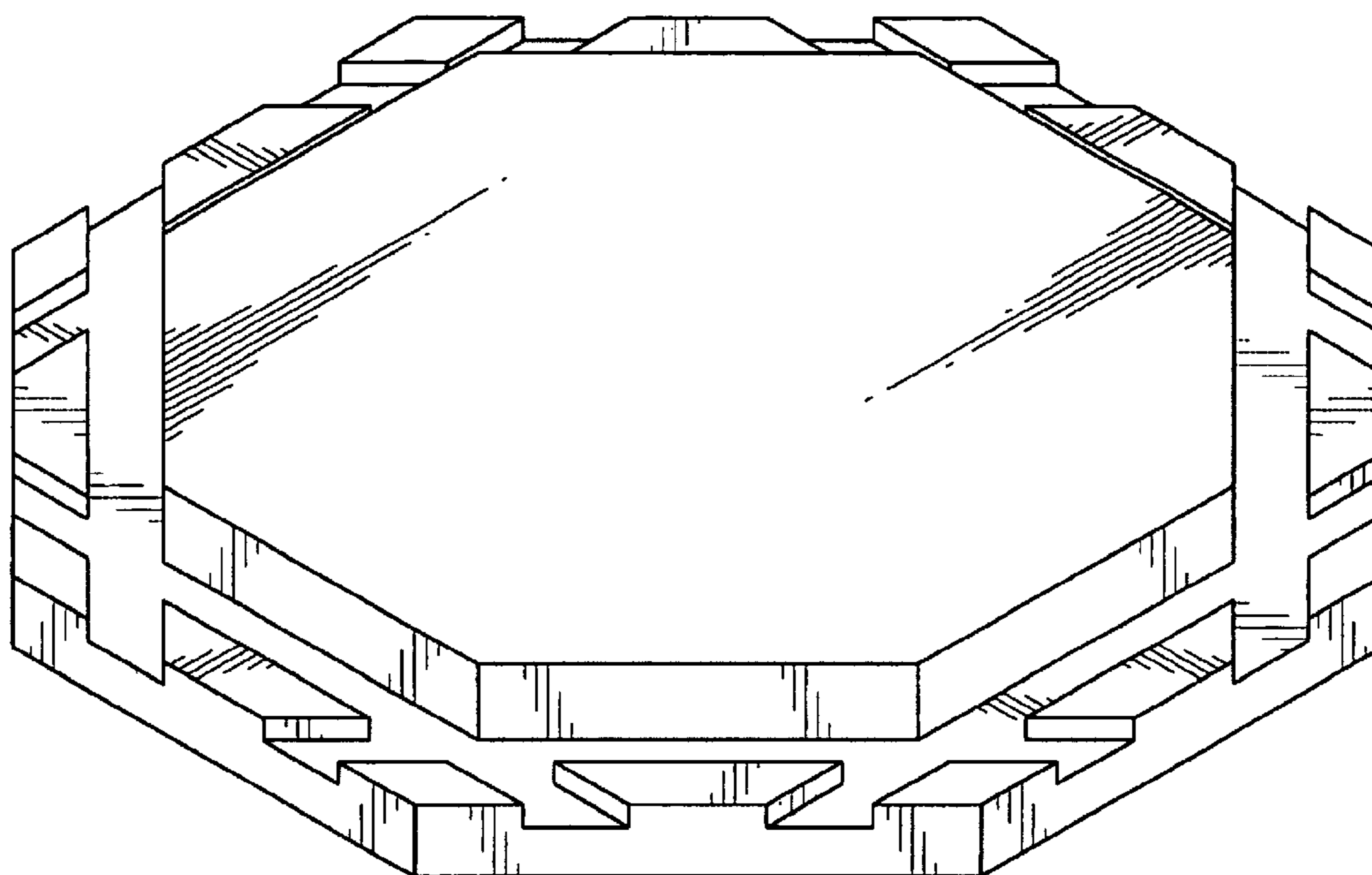
FIG. 9. Is a front elevational view of the FIG. 7 embodiment with the right, left and rear elevational views being mirror images thereof;

FIG. 10. Is a front perspective view of a fourth embodiment of our octagon tile module;

FIG. 11. Is a top plan view of the FIG. 10 embodiment; and,

FIG. 12. Is a front elevational view of the FIG. 10 embodiment with the right, left and rear elevational views being mirror images thereof.

1 Claim, 8 Drawing Sheets



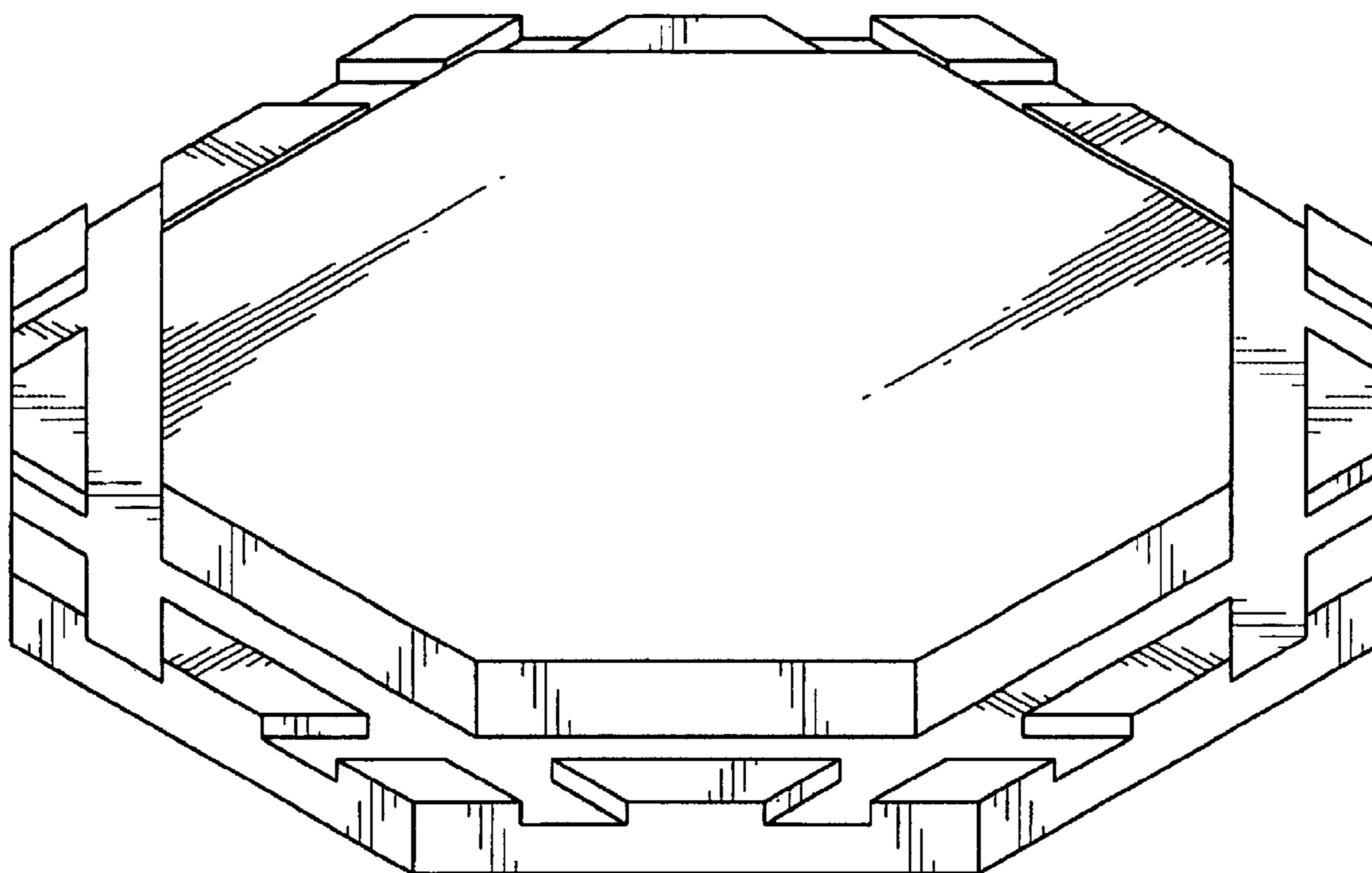


FIG. 1

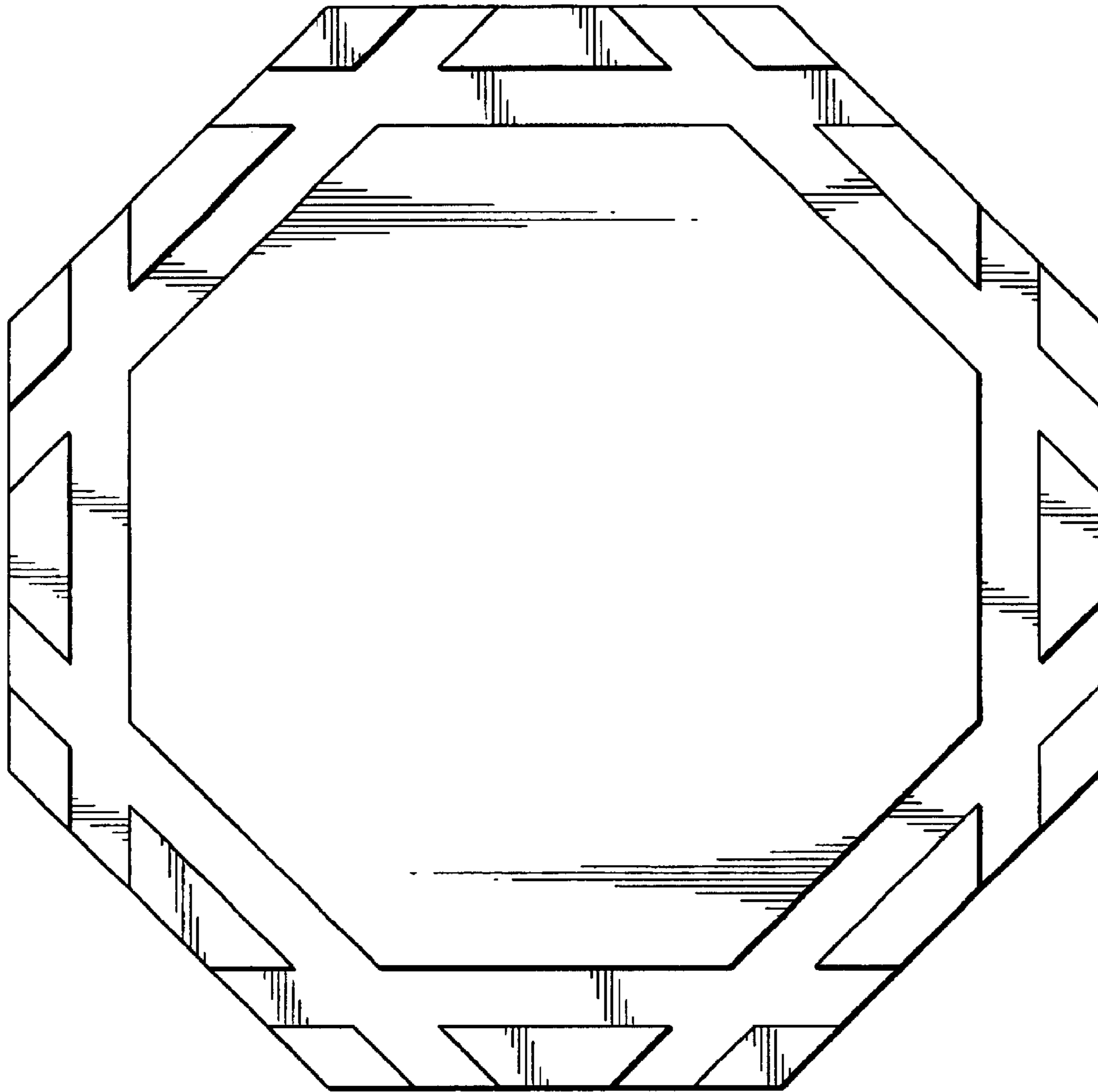


FIG. 2

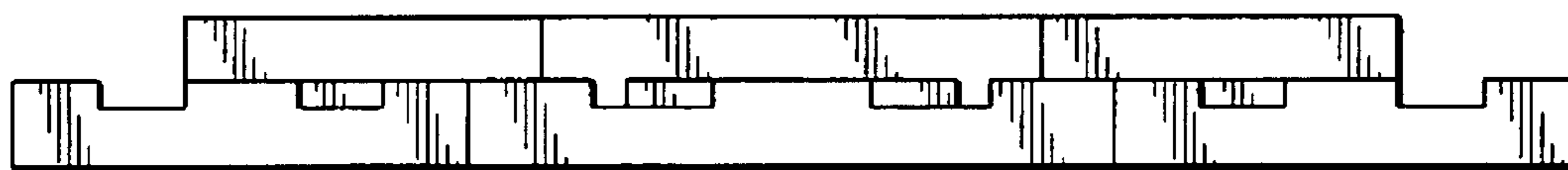


FIG. 3

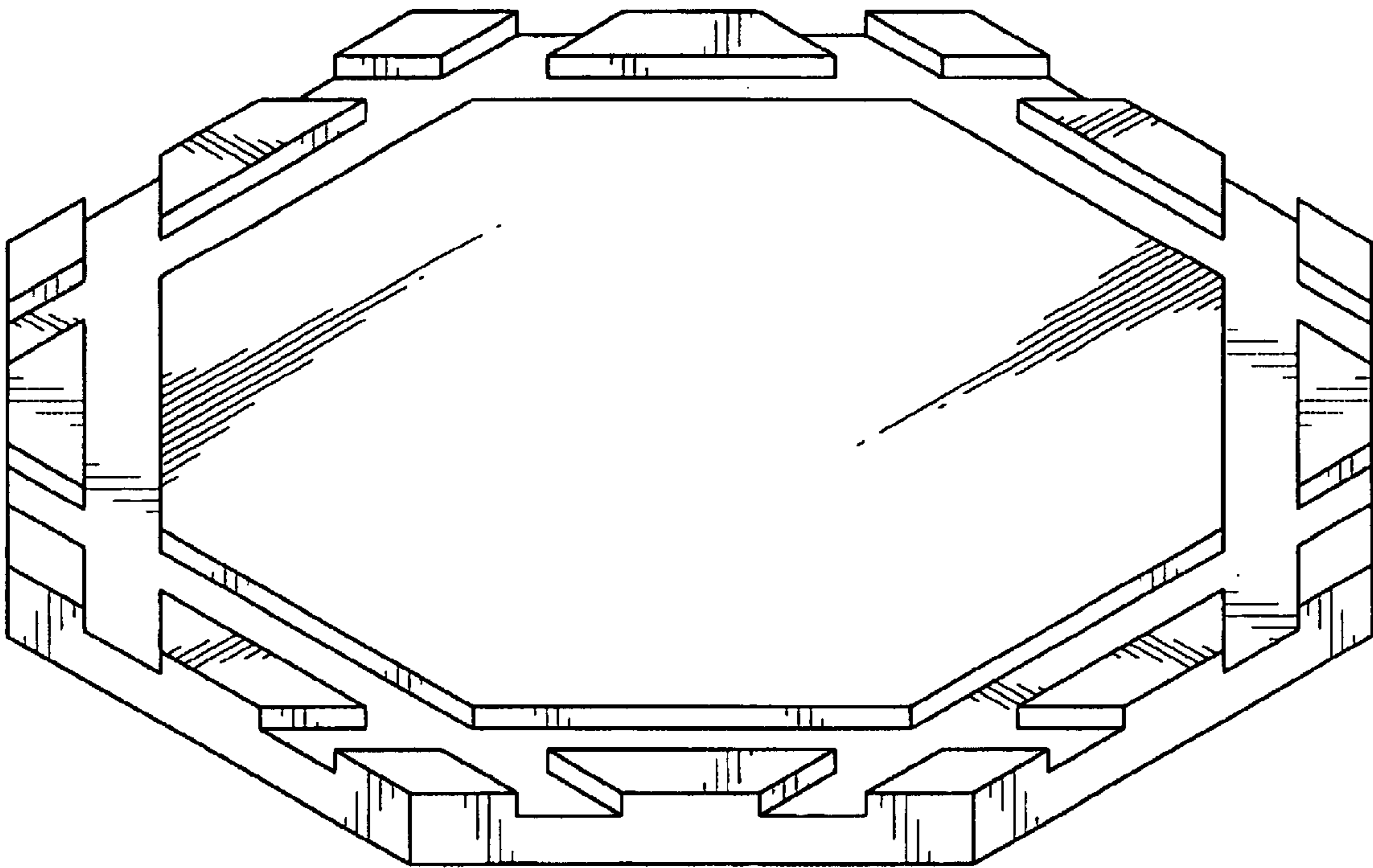


FIG. 4

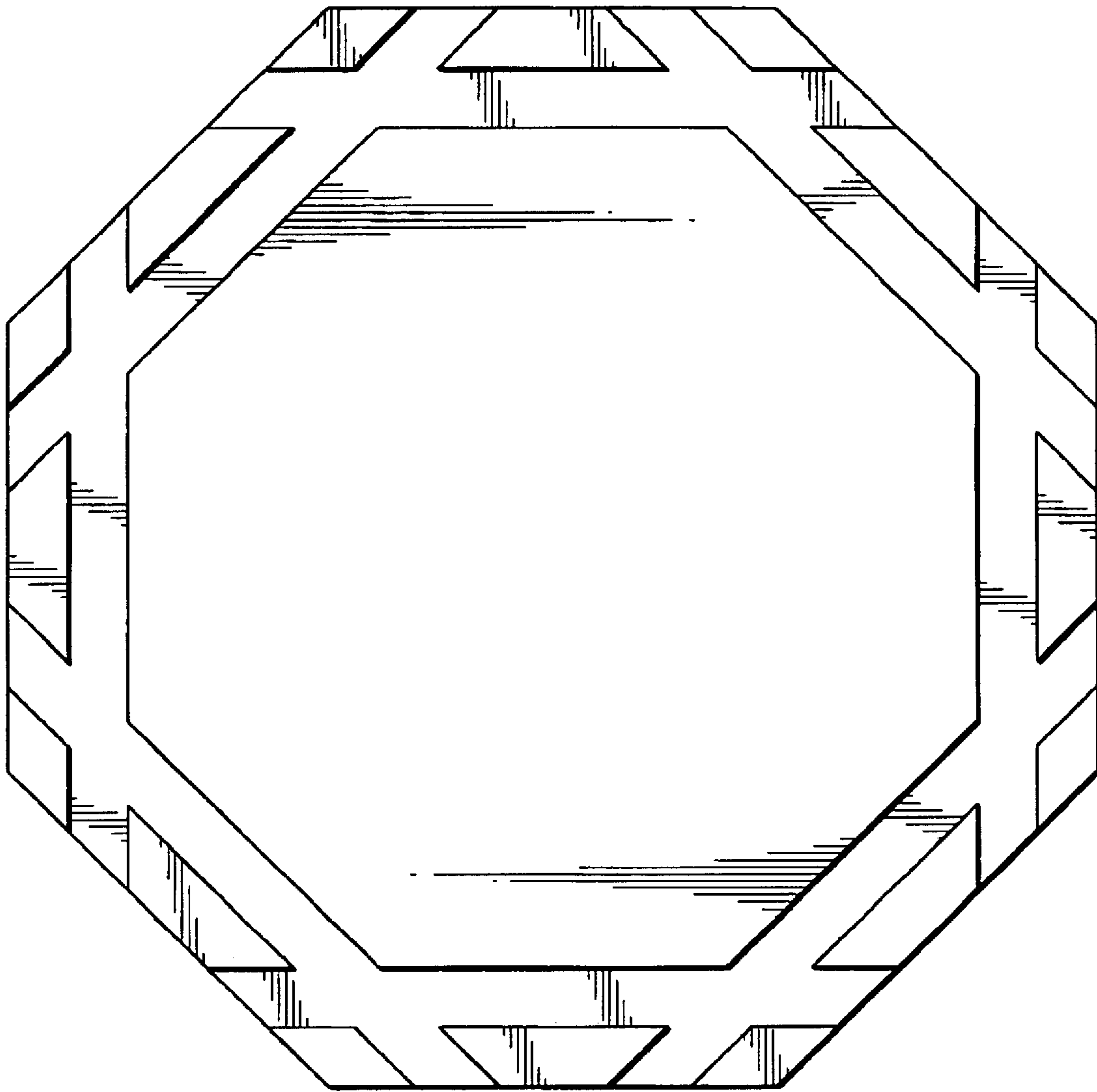


FIG. 5



FIG. 6

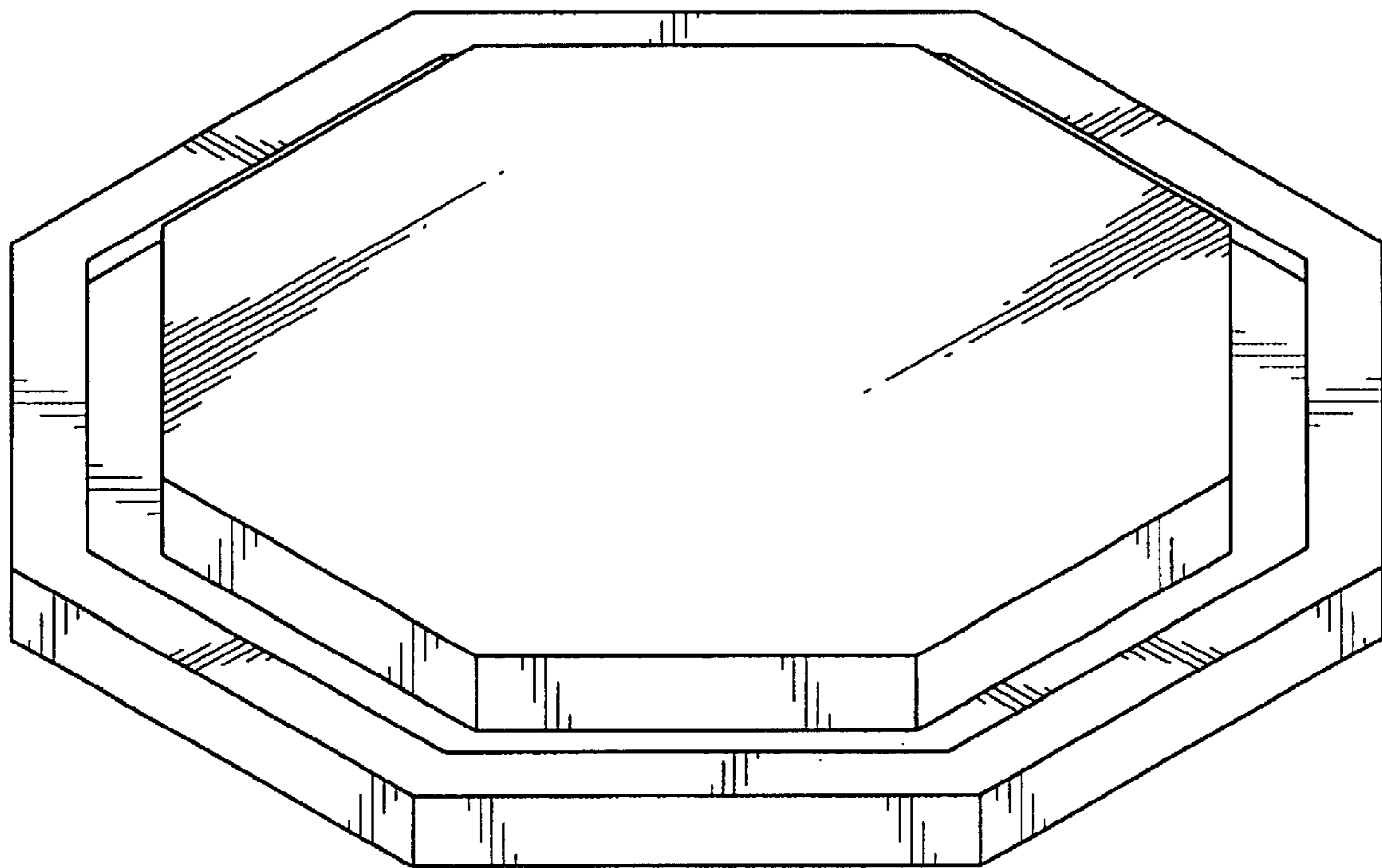


FIG. 7

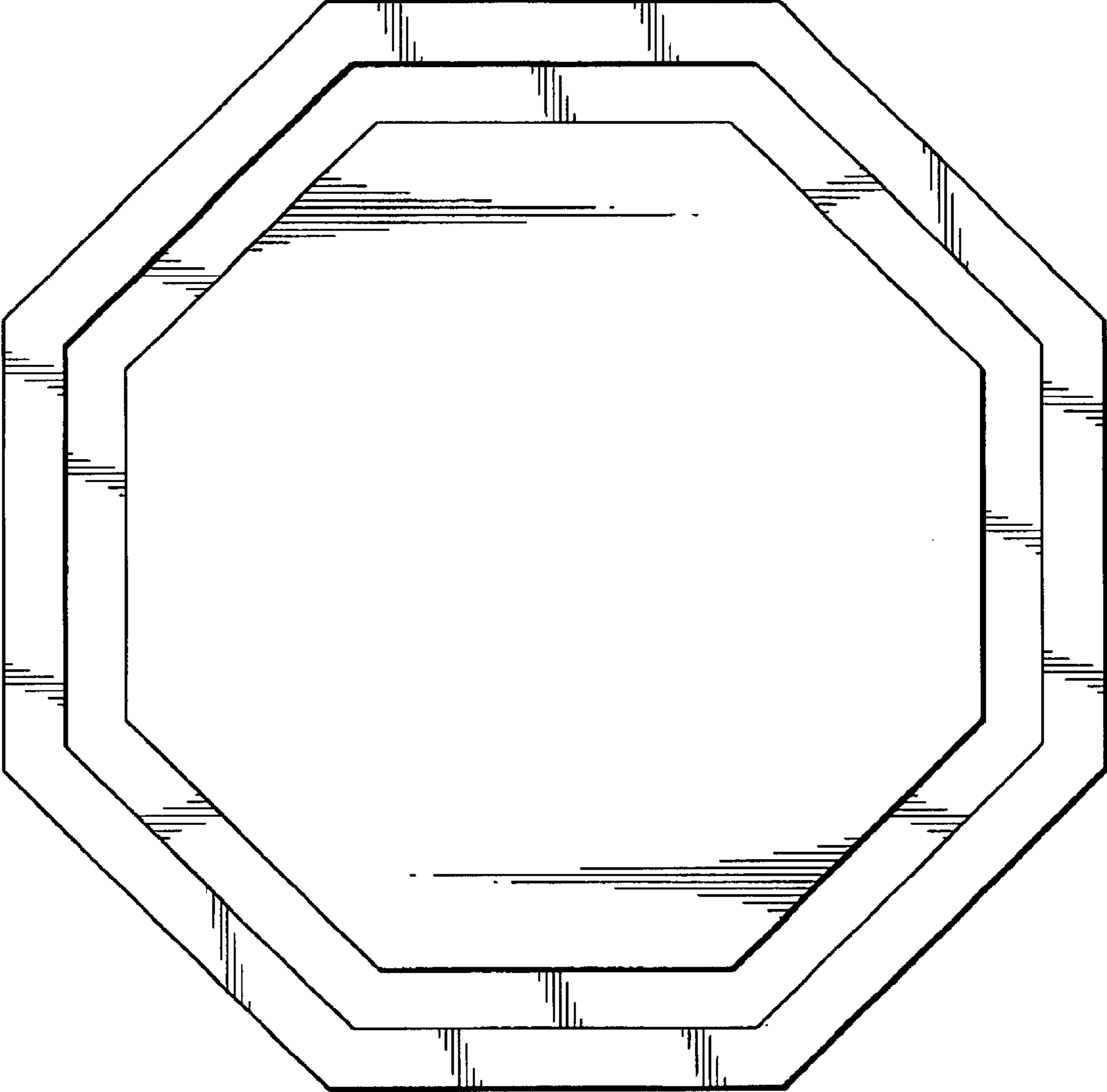


FIG. 8



FIG. 9

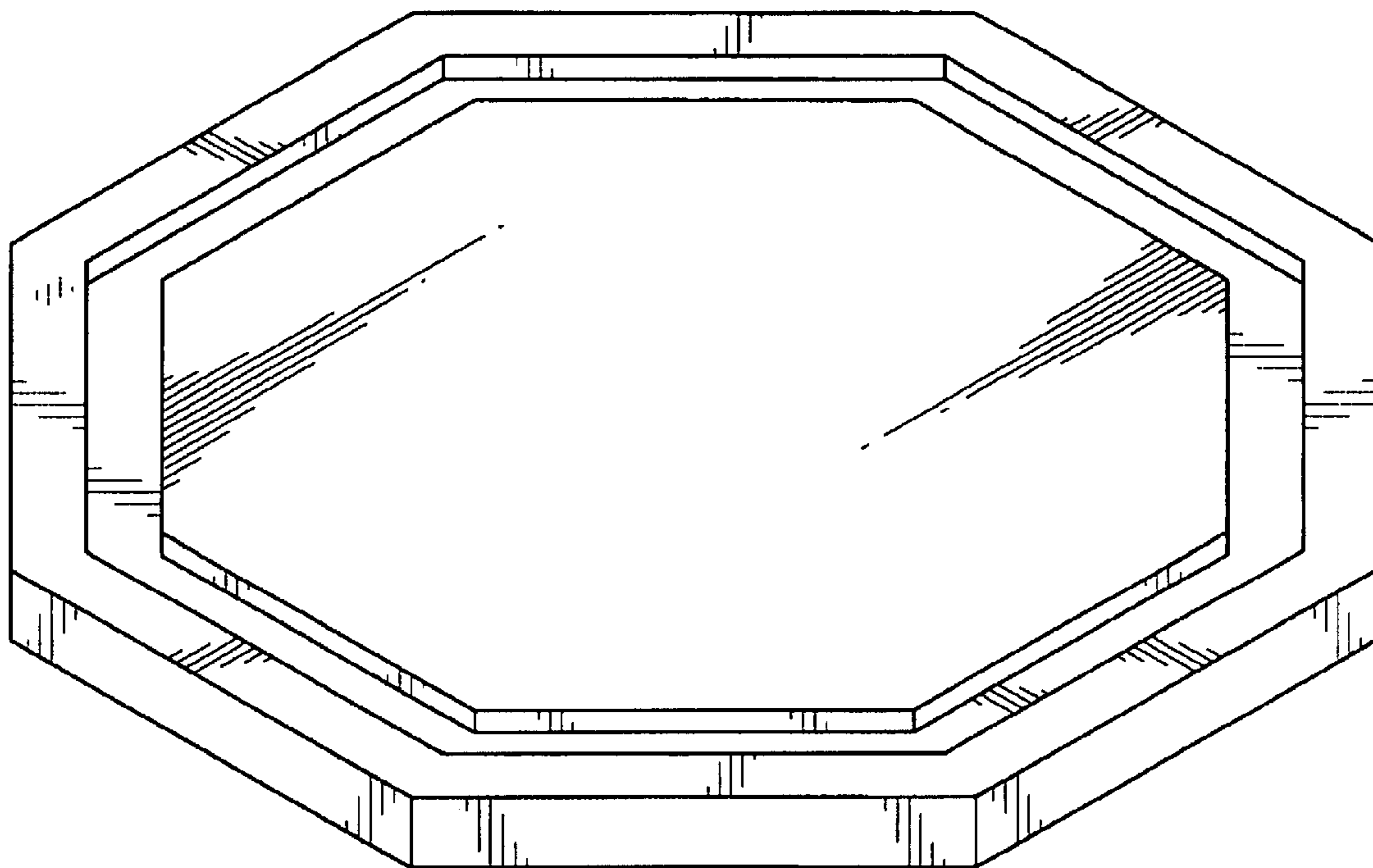


FIG. 10

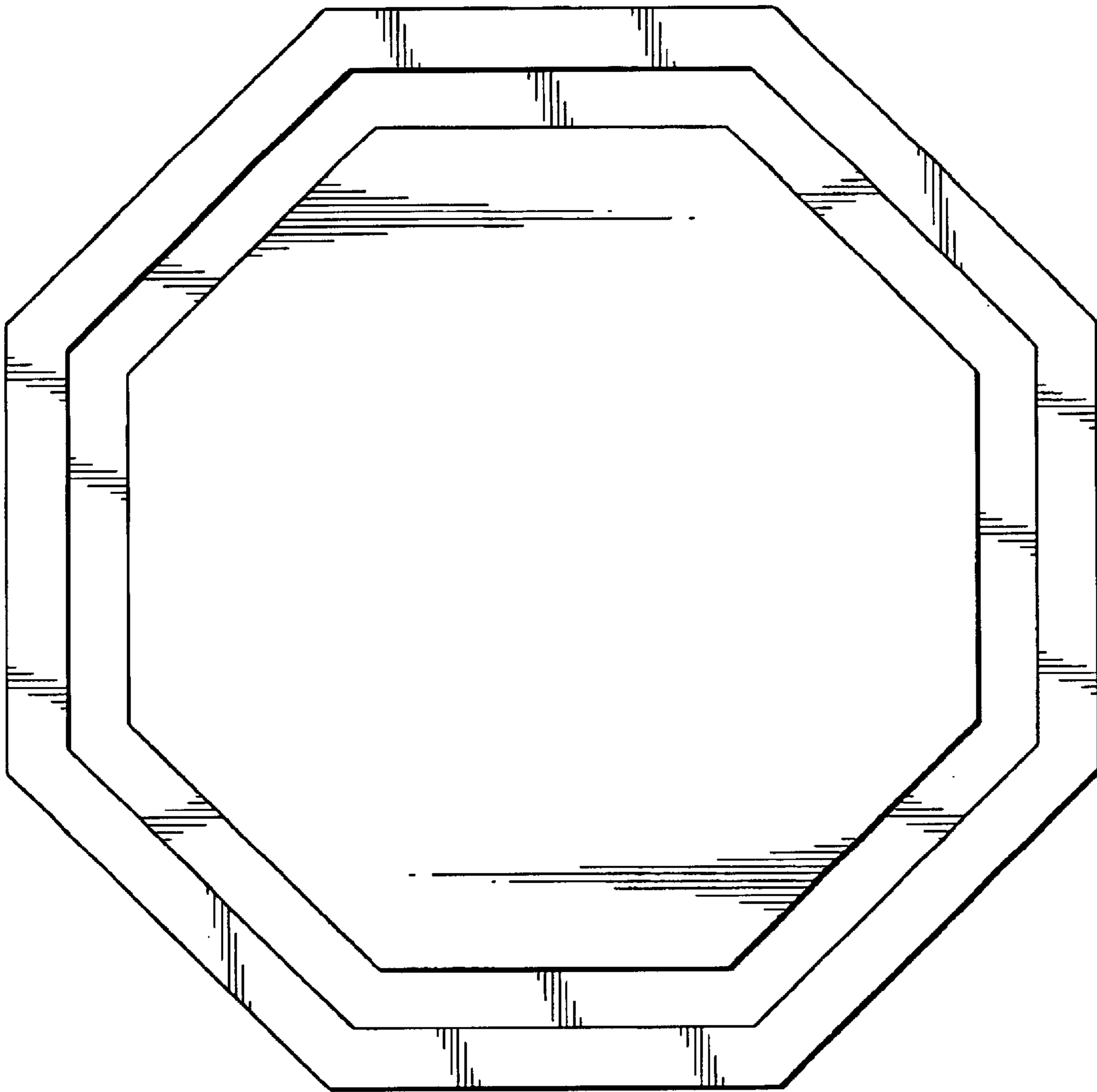


FIG. 11



FIG. 12