



US00D497008S1

(12) **United States Design Patent** (10) **Patent No.:** **US D497,008 S**
Germany et al. (45) **Date of Patent:** **** Oct. 5, 2004**

(54) **TONGUE AND GROOVE SYSTEM**

(75) Inventors: **Robert Germany**, Benton, LA (US);
James Givens, Thornton, AR (US)

(73) Assignee: **Timberco, Inc.**, Madison, WI (US)

(**) Term: **14 Years**

5,182,892 A 2/1993 Chase
5,283,102 A 2/1994 Sweet et al.
2,036,029 A 6/1994 Parasin
5,317,853 A 6/1994 Lopes
5,335,473 A 8/1994 Chase
2,167,259 A 1/1996 Parasin
D369,417 S * 4/1996 Evans D25/118
5,512,011 A 4/1996 Millas
5,597,084 A 1/1997 Parasin

(21) Appl. No.: **29/196,366**

(22) Filed: **Dec. 29, 2003**

(51) **LOC (7) Cl.** **25-01**

(52) **U.S. Cl.** **D25/113**

(58) **Field of Search** D25/112-116,
D25/118, 164; D21/484-486, 493, 499-502,
504-505; 405/16, 284; 404/19-20, 27-31,
34-42; 52/105, 574-575, 596-612

(List continued on next page.)

FOREIGN PATENT DOCUMENTS

EP 0 214 643 B1 9/1986
EP 0 214 643 A2 9/1986
WO WO 97/38187 10/1997
WO WO 98/58143 12/1998
WO WO 99/66151 12/1999
WO WO 02/04206 1/2002

(56) **References Cited**

U.S. PATENT DOCUMENTS

3,347,048 A * 10/1967 Brown et al. D25/113
914,370 A 11/1972 McGraw
3,987,599 A 10/1976 Hines
4,095,913 A 6/1978 Pettersson et al.
4,097,100 A 6/1978 Sauder
4,100,710 A 7/1978 Kowallik
4,106,875 A 8/1978 Jewett
4,164,832 A 8/1979 Van Zandt
4,195,462 A 4/1980 Keller et al.
4,320,612 A * 3/1982 Jeffries, Jr. D25/113
4,337,607 A 7/1982 Boschetti
4,416,100 A 11/1983 Troendle, Sr.
4,444,524 A 4/1984 Cook et al.
4,512,494 A 4/1985 Von Holdt
4,586,310 A 5/1986 Baril et al.
4,700,524 A 10/1987 Addison
4,713,920 A 12/1987 Oginz
4,744,196 A 5/1988 Gallo
4,807,416 A 2/1989 Parasin
4,833,855 A 5/1989 Winter, IV
D306,700 S 3/1990 Gallo
5,007,666 A 4/1991 Kyfes
1,292,112 A 11/1991 Parasin
5,165,816 A 11/1992 Parasin

Primary Examiner—Robert A. Delehanty

(74) *Attorney, Agent, or Firm*—Michael Best & Friedrich LLP; Teresa J. Welch; Jeffrey D. Peterson

(57) **CLAIM**

The ornamental design for a tongue and groove system, as shown and described.

DESCRIPTION

FIG. 1 is a side view of the tongue and groove system with the tongue and groove together.

FIG. 2 is a side view of the tongue and groove system with the tongue and groove apart.

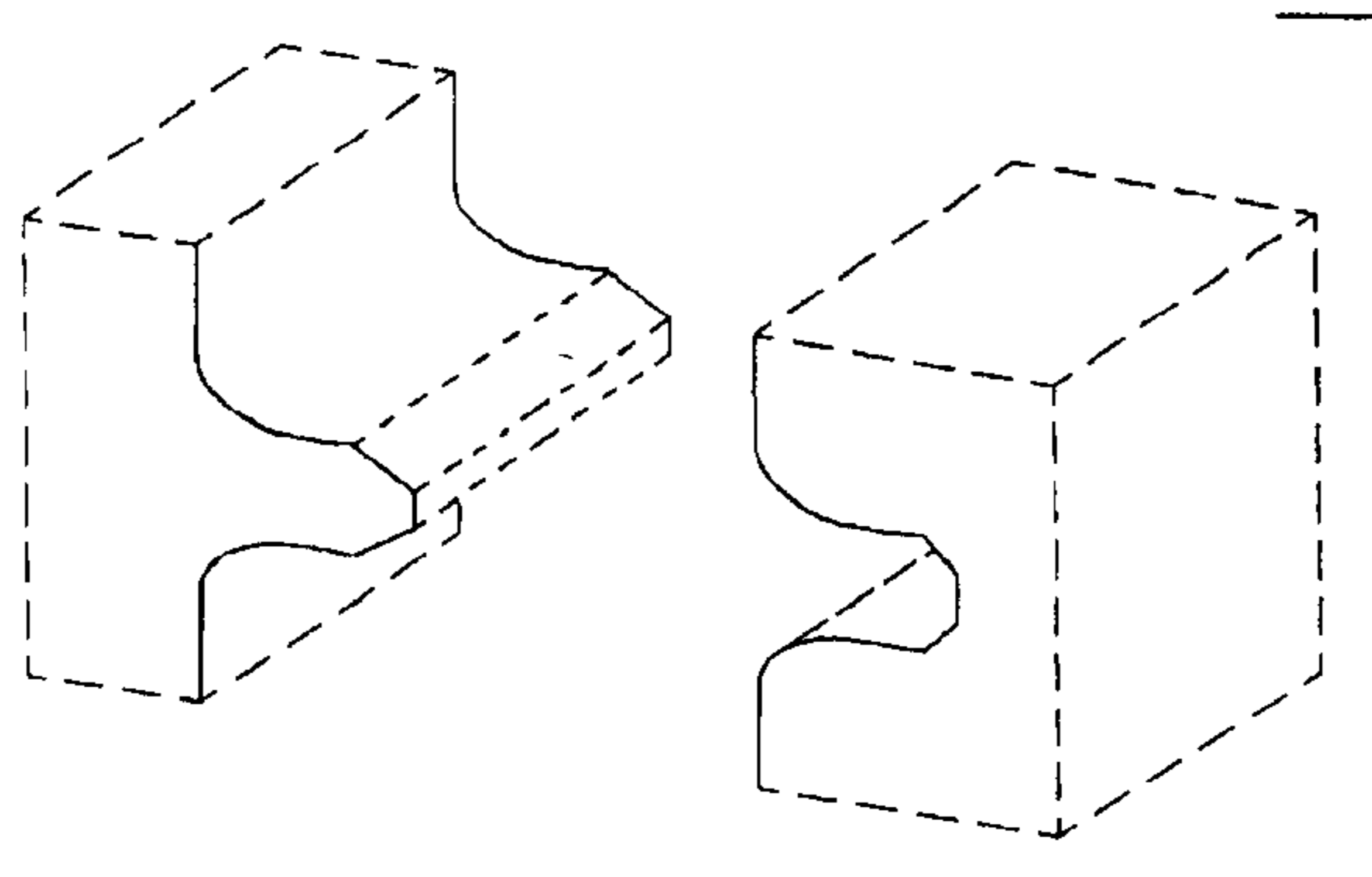
FIG. 3 is a side perspective view showing the tongue of the tongue and groove system.

FIG. 4 is a side perspective view showing the groove of the tongue and groove system; and,

FIG. 5 is a side perspective view of the tongue and groove system with the tongue and groove apart.

The present application is directed to the design illustrated in the drawings. The broken line portions of the disclosure are for illustrative purposes only and form no part of the claimed design.

1 Claim, 2 Drawing Sheets



US D497,008 S

Page 2

U.S. PATENT DOCUMENTS

5,618,602 A	4/1997	Nelson	6,237,296 B1	5/2001	Chang
5,638,651 A	6/1997	Ford	6,247,285 B1	6/2001	Moebus
5,671,489 A	9/1997	Salach	6,370,914 B1	4/2002	Bruner
5,694,730 A	12/1997	Del Rincon et al.	6,397,547 B1	6/2002	Martensson
5,736,227 A	4/1998	Sweet et al.	6,397,548 B1	6/2002	Martin et al.
5,752,355 A	5/1998	Sahramaa	6,418,693 B2	7/2002	Ballard
5,894,700 A	4/1999	Sweet	6,438,919 B1	8/2002	Knauseder
5,894,701 A	4/1999	Delorme	D466,275 S	12/2002	McMullin
5,900,099 A	5/1999	Sweet et al.	6,490,836 B1	12/2002	Moriau et al.
5,930,967 A	8/1999	Stoehr et al.	6,532,709 B2	3/2003	Pervan
5,935,668 A	8/1999	Smith	D481,135 S *	10/2003	Dean et al. D25/113
5,984,271 A	11/1999	Ellenberger	2001/0015042 A1	8/2001	Ballard
6,006,486 A	12/1999	Moriau et al.	2002/0007909 A1	1/2002	Mott et al.
6,023,900 A	2/2000	Stoehr et al.	2002/0046528 A1	4/2002	Pervan et al.
6,026,628 A	2/2000	Lopez	2002/0095894 A1	7/2002	Pervan
6,098,365 A	8/2000	Martin et al.	2002/0108343 A1	8/2002	Knauseder
6,141,931 A	11/2000	Simmons	2002/0112429 A1	8/2002	Niese et al.
6,145,261 A	11/2000	Godfrey et al.	2003/0029117 A1	2/2003	Moriau et al.
6,148,884 A	11/2000	Bolyard et al.	2003/0115812 A1	6/2003	Pervan
6,213,861 B1	4/2001	Gunn			

* cited by examiner

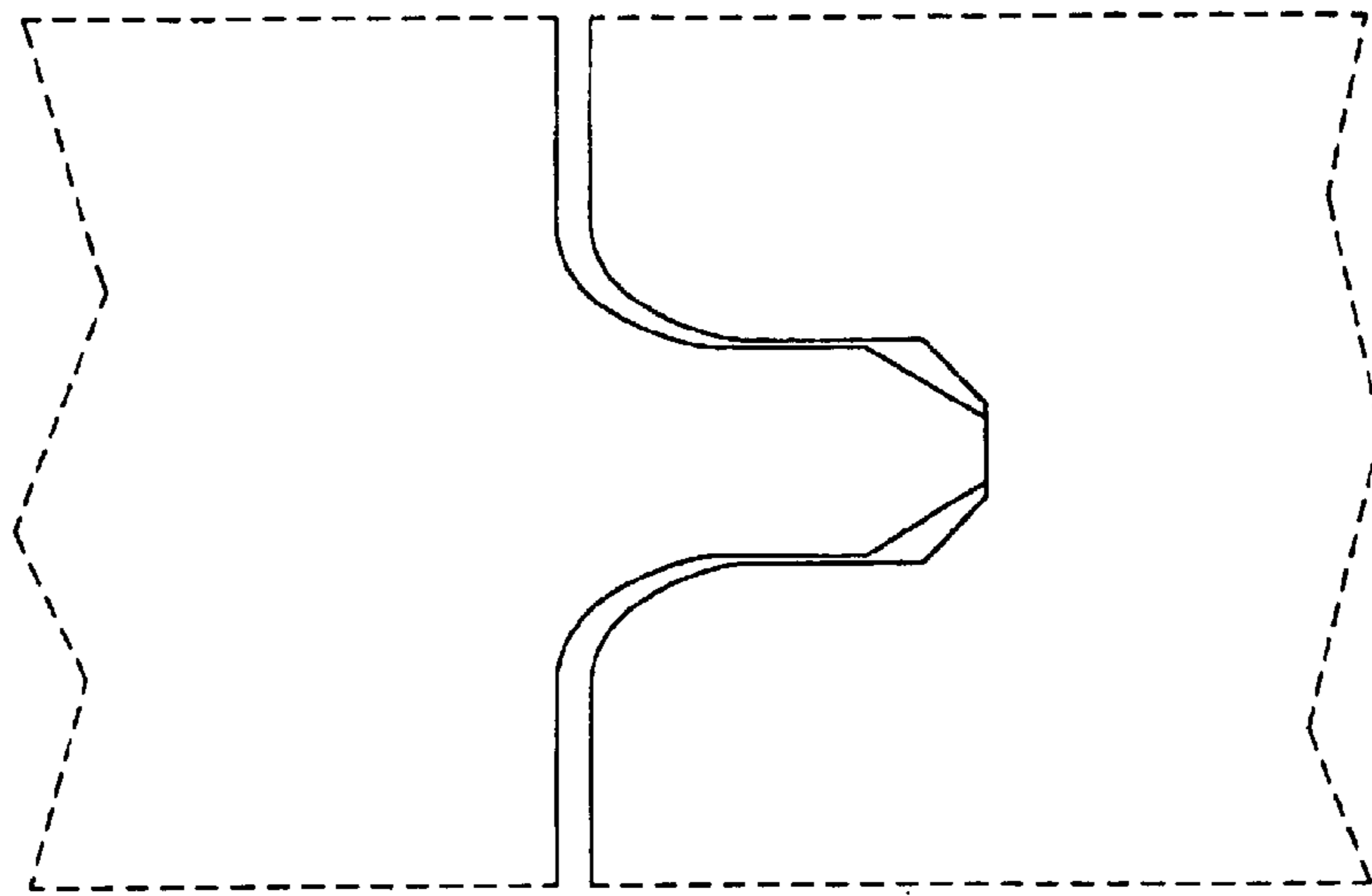


FIG. 1

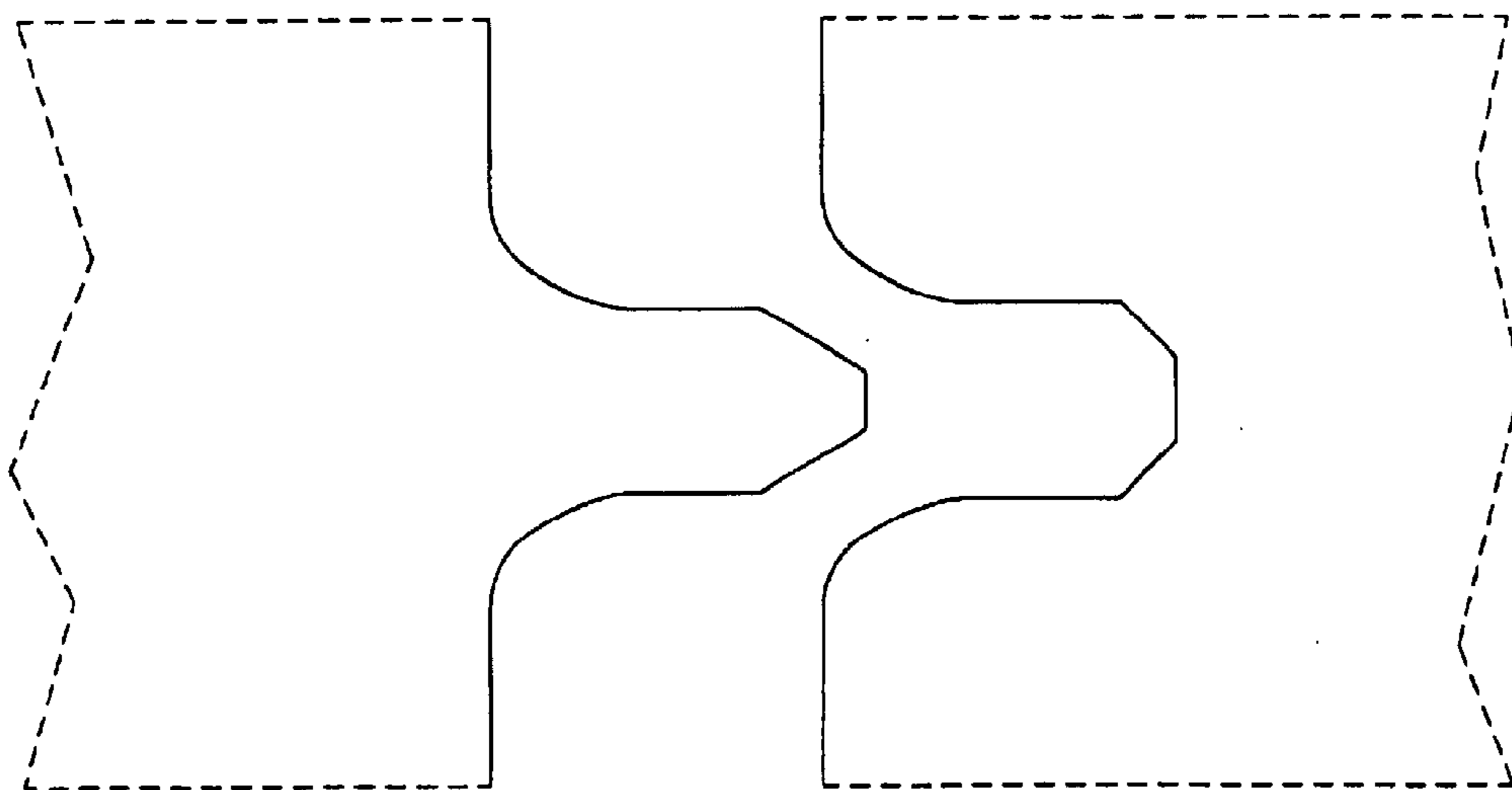


FIG. 2

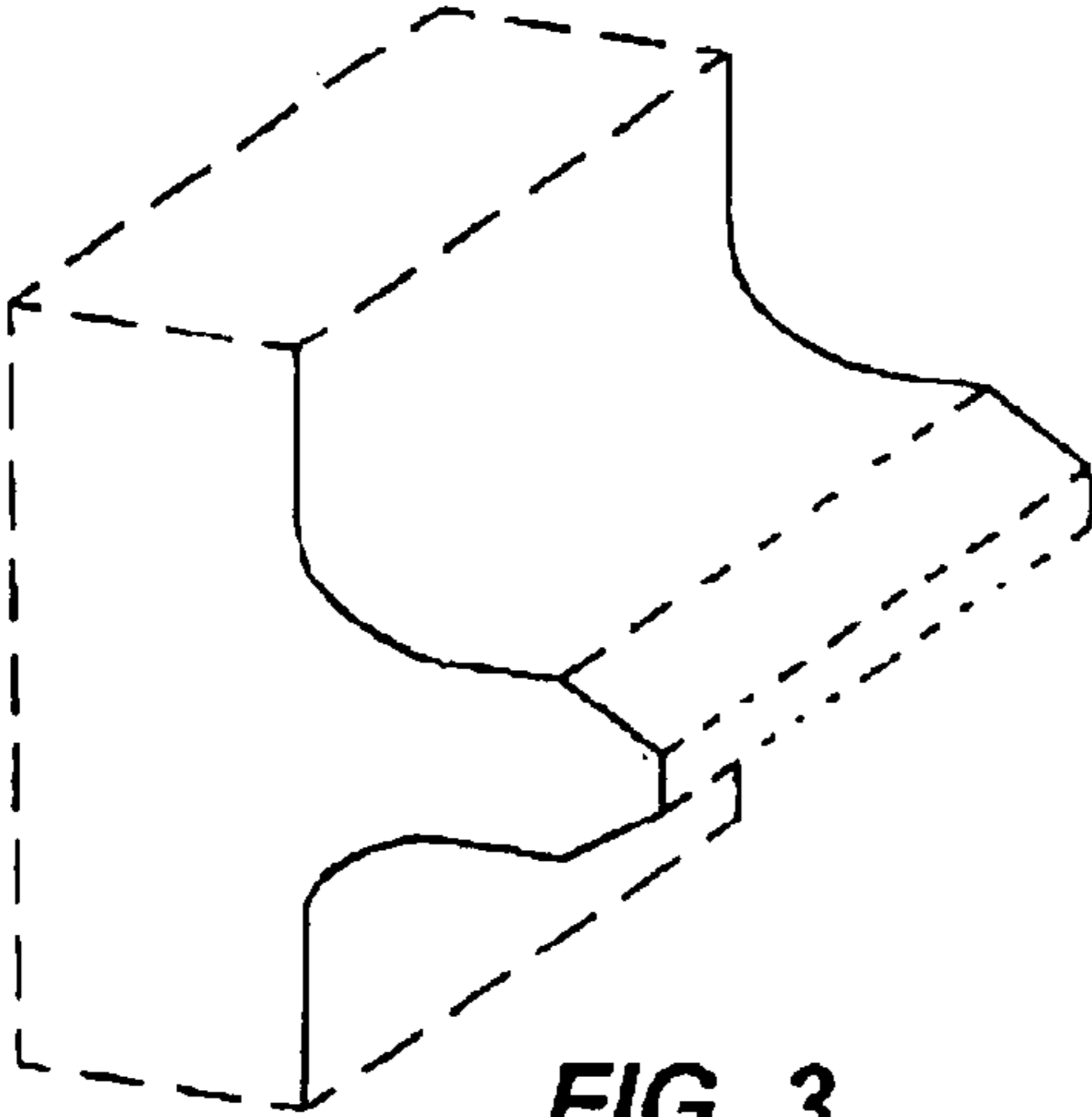


FIG. 3

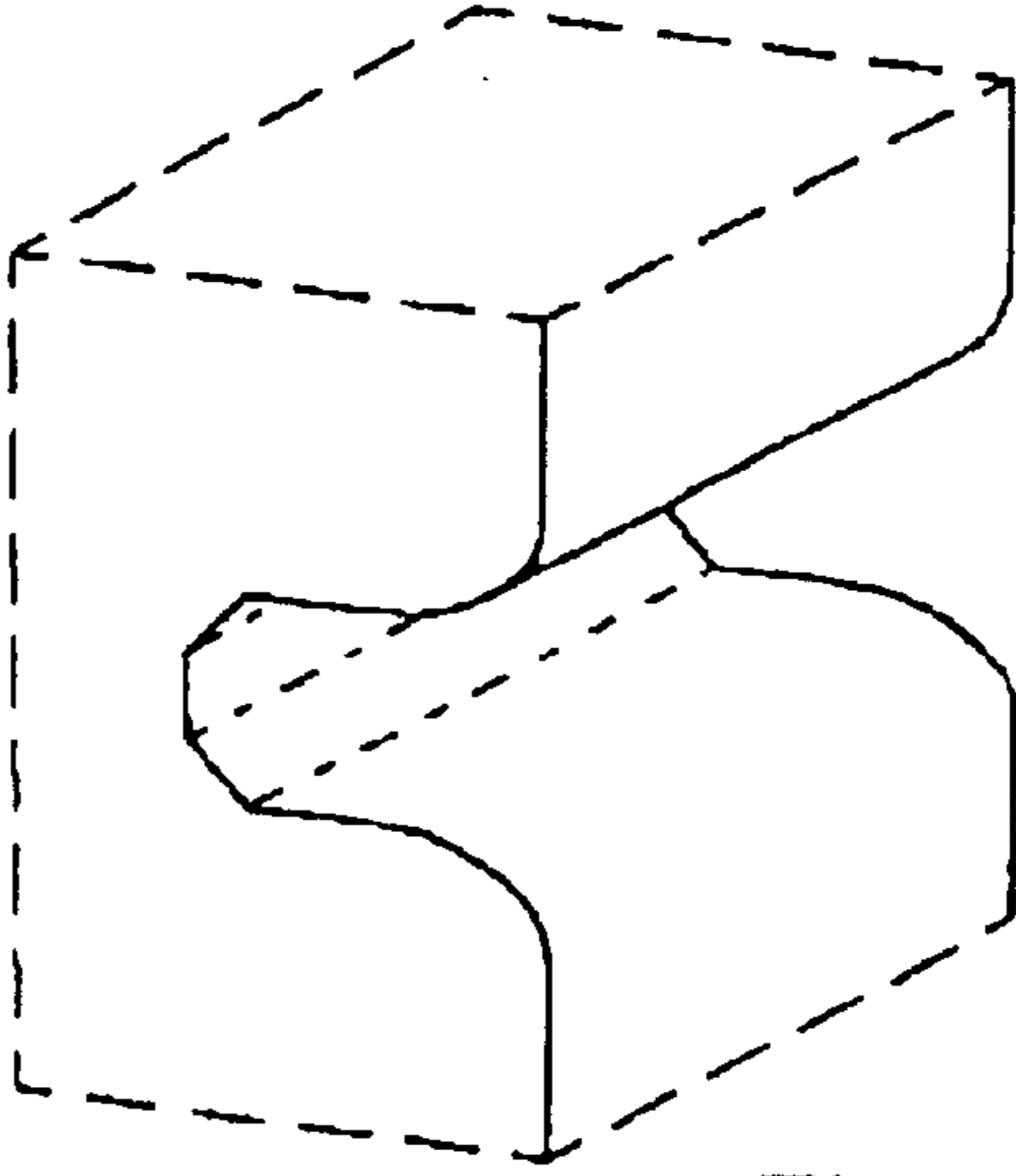


FIG. 4

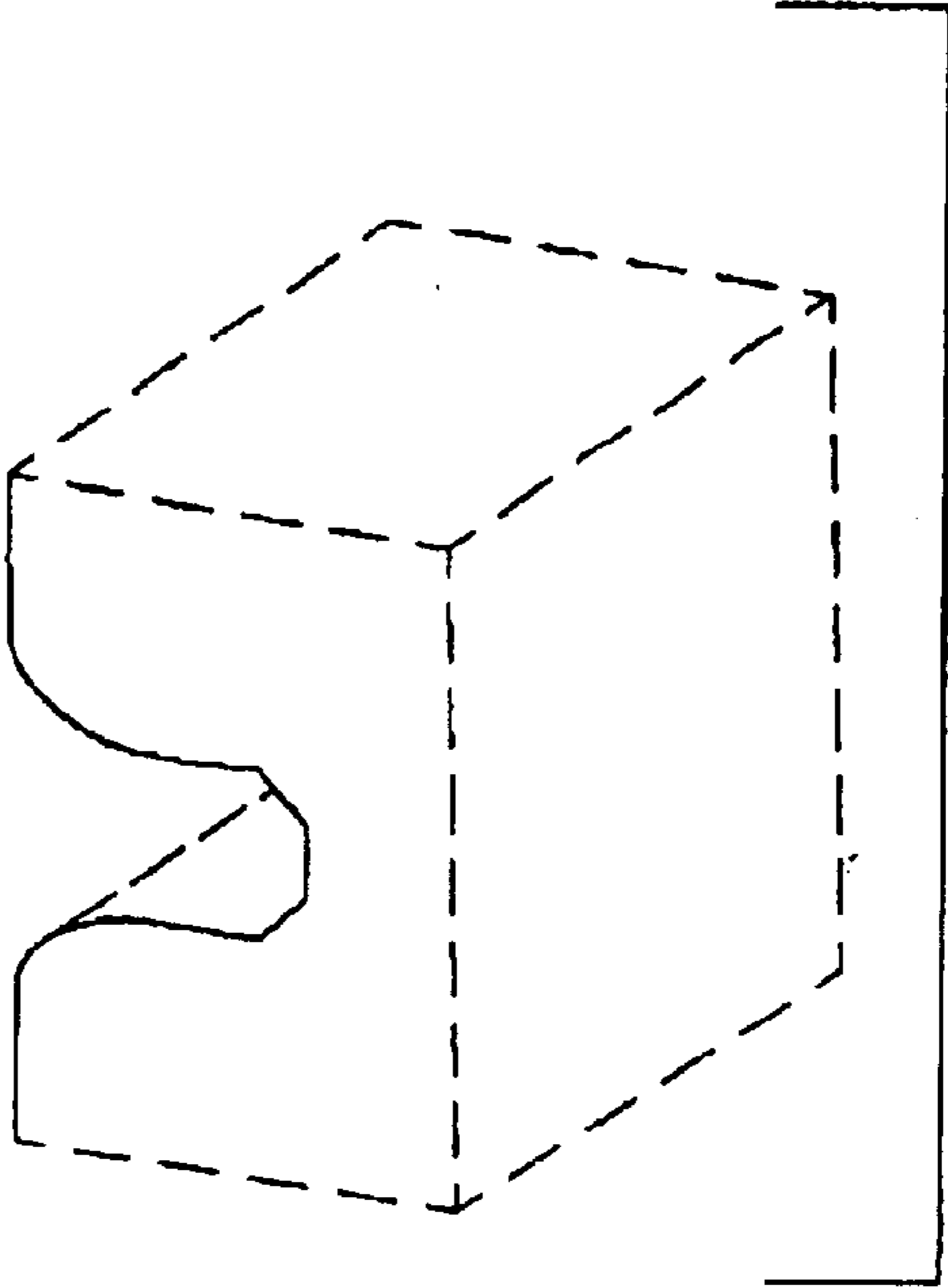
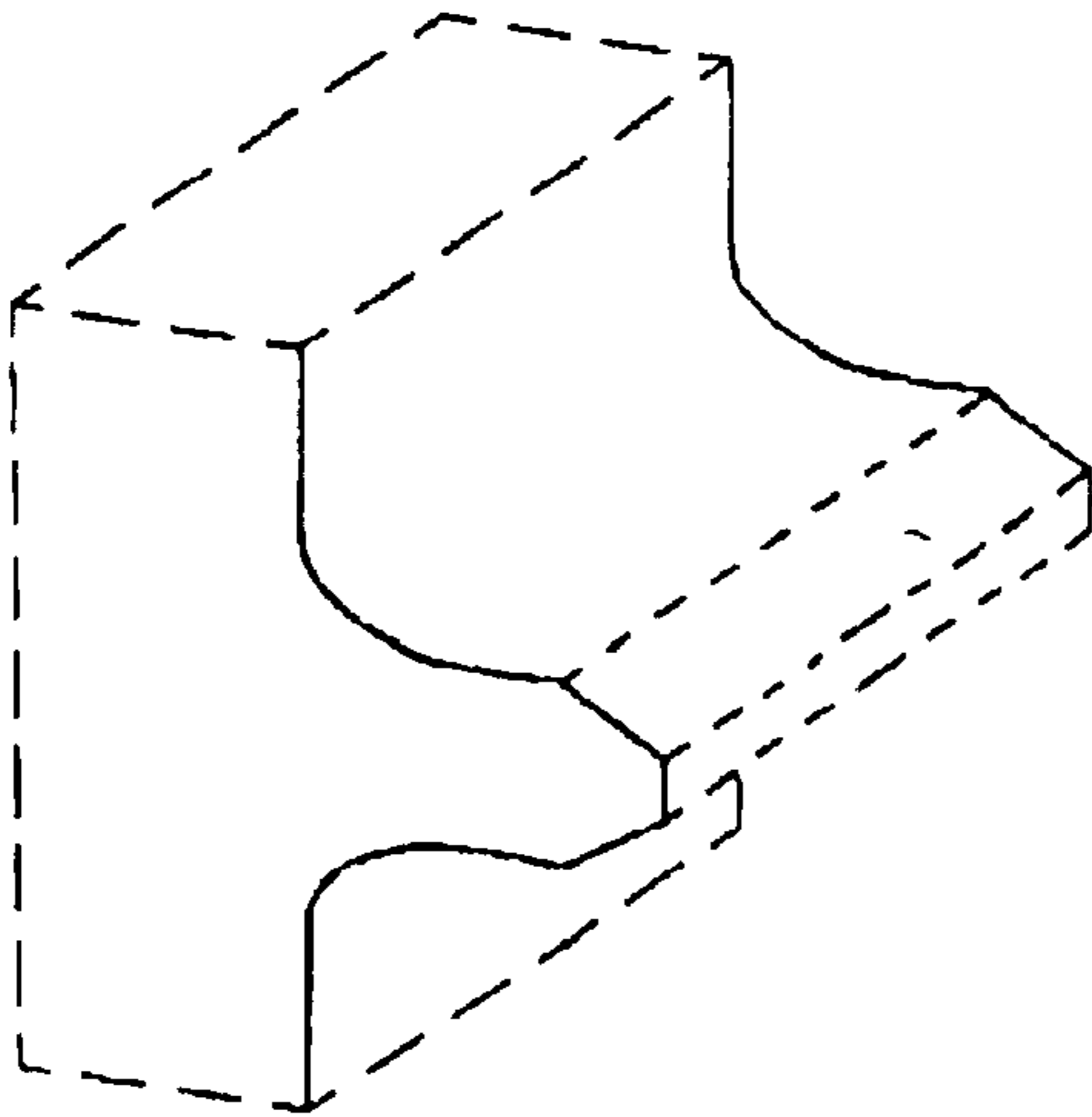


FIG. 5