

US00D496999S1

(12) **United States Design Patent**
Dragan et al.

(10) **Patent No.: US D496,999 S**
(45) **Date of Patent: ** Oct. 5, 2004**

- (54) **DENTAL MATERIAL PLACEMENT AND APPLICATOR DEVICE**
- (75) Inventors: **William B. Dragan**, Easton, CT (US);
John J. Discko, Jr., Trumbull, CT (US)
- (73) Assignee: **Centrix, Inc.**, Shelton, CT (US)
- (**) Term: **14 Years**
- (21) Appl. No.: **29/186,467**
- (22) Filed: **Jul. 16, 2003**

Related U.S. Application Data

- (62) Division of application No. 29/159,084, filed on Apr. 15, 2002, now Pat. No. Des. 480,479, which is a division of application No. 29/125,214, filed on Jun. 20, 2000, now Pat. No. Des. 460,822, which is a division of application No. 29/091,148, filed on Jul. 23, 1998, now Pat. No. Des. 435,292.
- (51) **LOC (7) Cl.** **24-02**
- (52) **U.S. Cl.** **D24/152; D24/119**
- (58) **Field of Search** **D24/119, 152; 433/90, 89**

References Cited

U.S. PATENT DOCUMENTS

D224,655 S	8/1972	Dragan	24/112
3,777,949 A	12/1973	Chiquiari-Arias	401/132
4,391,590 A	7/1983	Dougherty	
4,578,055 A	3/1986	Fischer	
4,619,613 A	10/1986	Dragan	433/90
4,750,158 A	6/1988	Giebel et al.	
4,963,093 A	10/1990	Dragan	
4,969,816 A	11/1990	Drumm	
4,997,371 A	3/1991	Fischer	
5,001,803 A	3/1991	Discko, Jr.	
D320,852 S	10/1991	Drumm	24/114

5,052,927 A	10/1991	Discko, Jr.	
5,150,495 A	9/1992	Discko, Jr.	
5,246,371 A	9/1993	Fischer	
5,286,257 A	2/1994	Fischer	
5,324,273 A	6/1994	Discko, Jr.	
D359,119 S	6/1995	Dragan et al.	
D377,216 S	1/1997	Mark	
D385,964 S	11/1997	Mark	
5,707,234 A	1/1998	Bender	
5,816,804 A	* 10/1998	Fischer	433/90
5,819,921 A	10/1998	Schmid	
D403,768 S	1/1999	Mark et al.	
6,083,002 A	* 7/2000	Martin et al.	433/90
6,202,897 B1	* 3/2001	Martin et al.	433/90
6,382,972 B1	* 5/2002	Fischer et al.	433/90

FOREIGN PATENT DOCUMENTS

DE 39 37 030 C2 11/1995

* cited by examiner

Primary Examiner—Ian Simmons

(74) *Attorney, Agent, or Firm*—Fattibene & Fattibene; Paul A. Fattibene; Arthur T. Fattibene

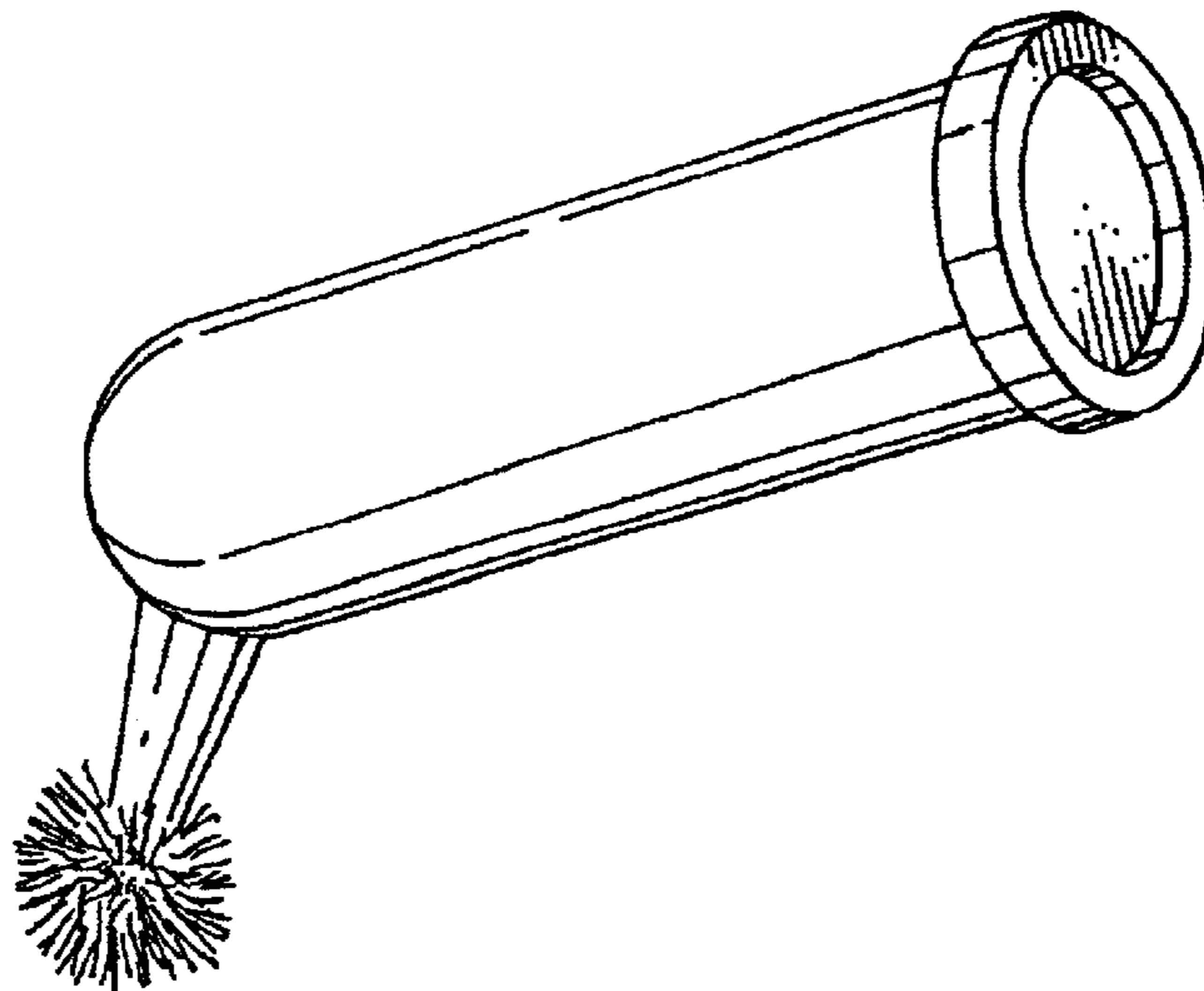
(57) **CLAIM**

The ornamental design for a dental material placement and applicator device, as shown and described.

DESCRIPTION

FIG. 1 is a perspective view of a dental material placement and applicator device showing our new design;
 FIG. 2 is a side elevation view thereof, the other side being the same;
 FIG. 3 is a top view thereof;
 FIG. 4 is a bottom view thereof;
 FIG. 5 is a rear end view thereof; and,
 FIG. 6 is a front end view thereof.

1 Claim, 1 Drawing Sheet



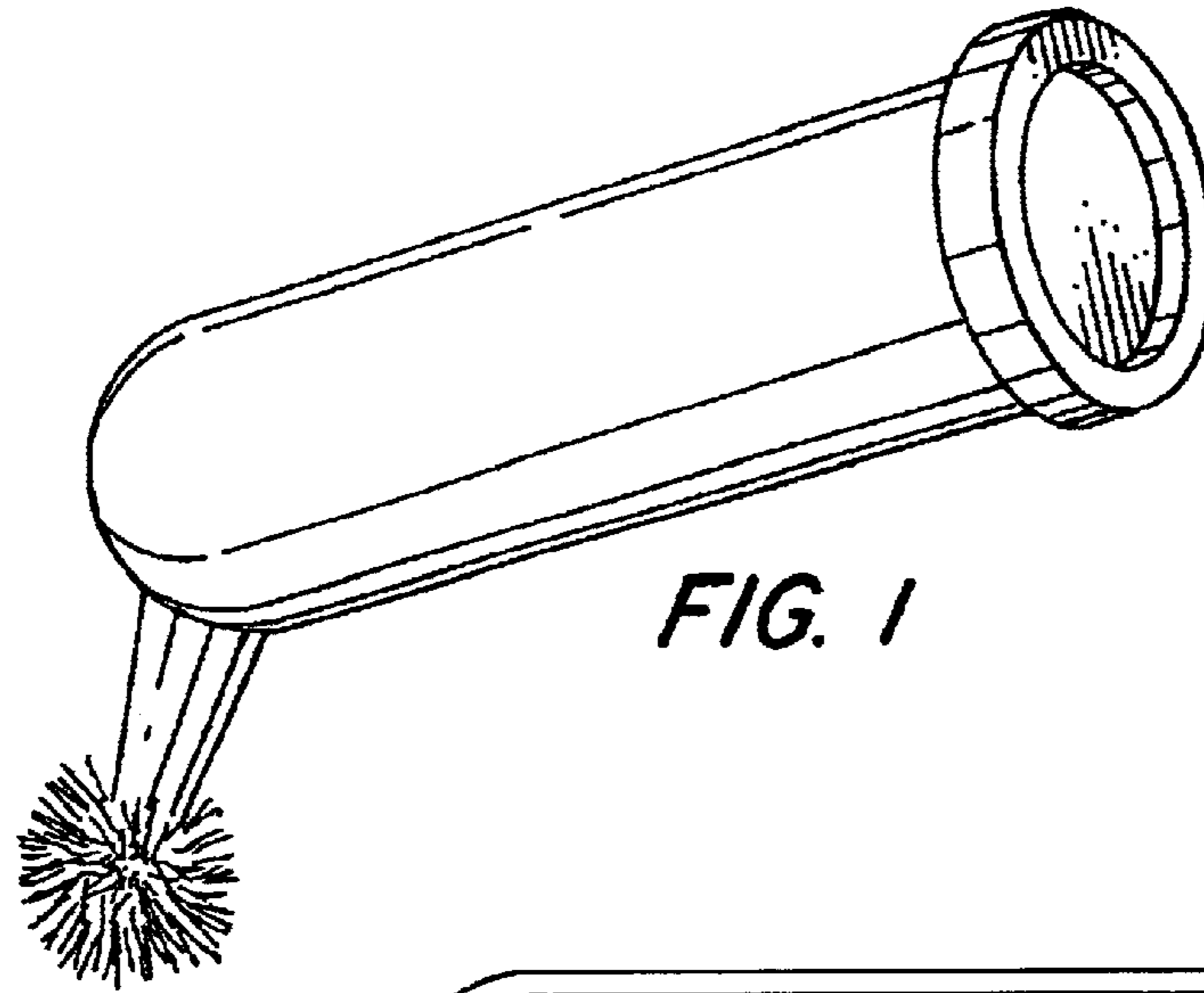


FIG. 1

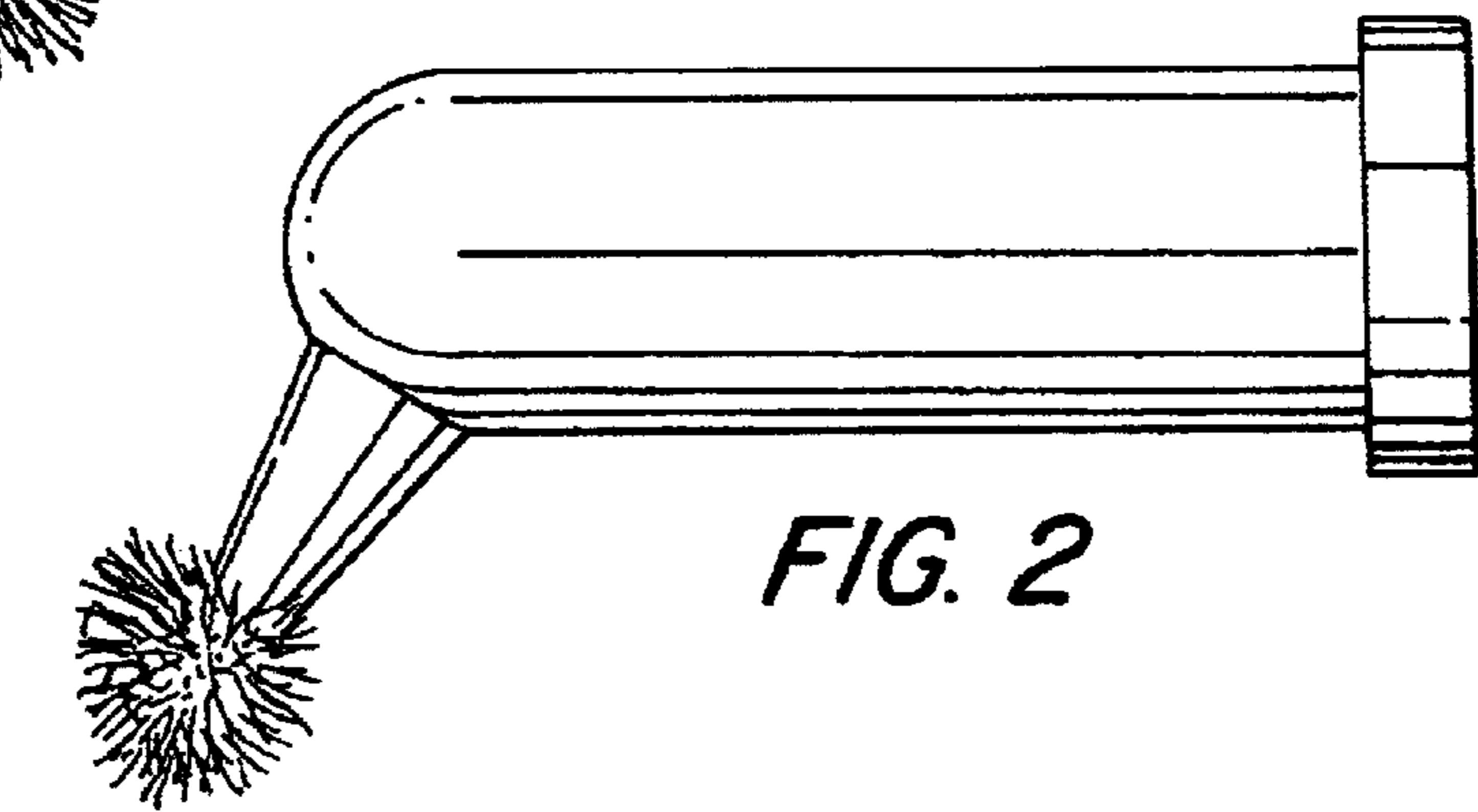


FIG. 2

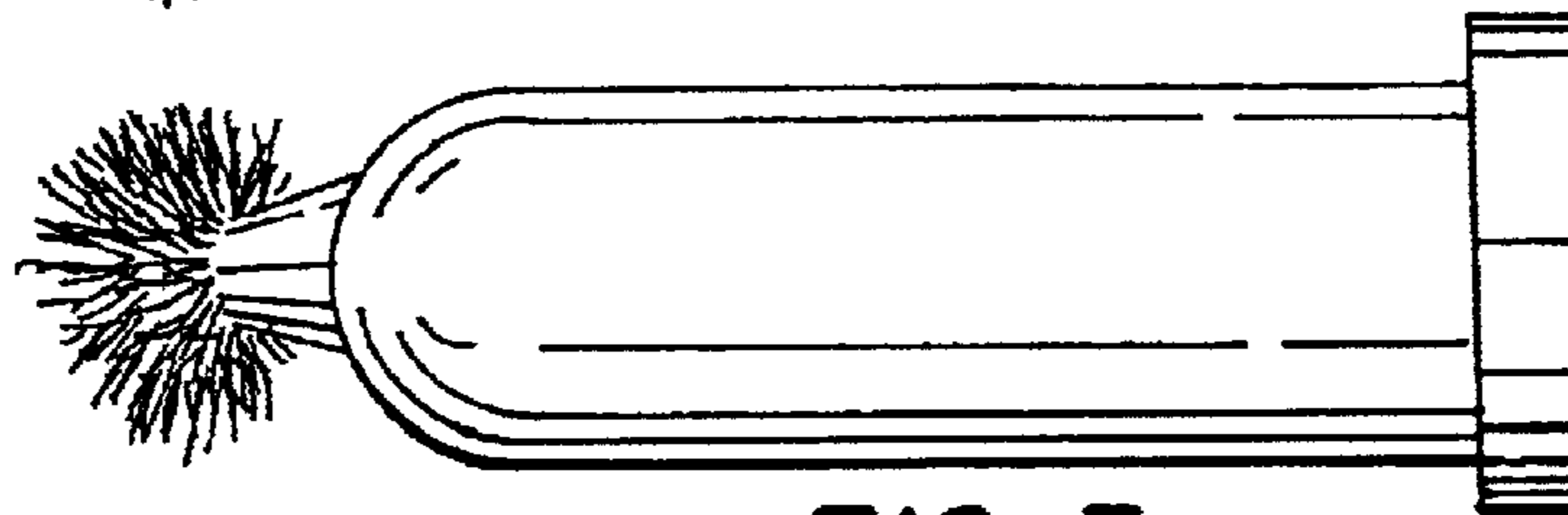


FIG. 3

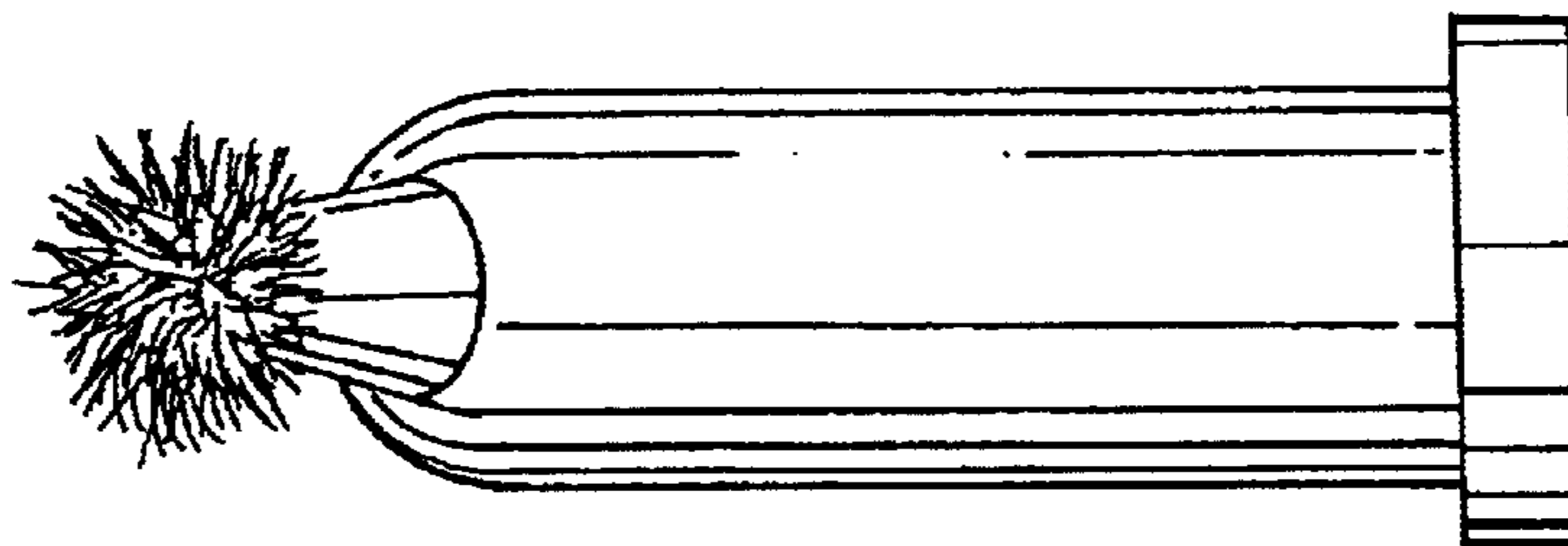


FIG. 4

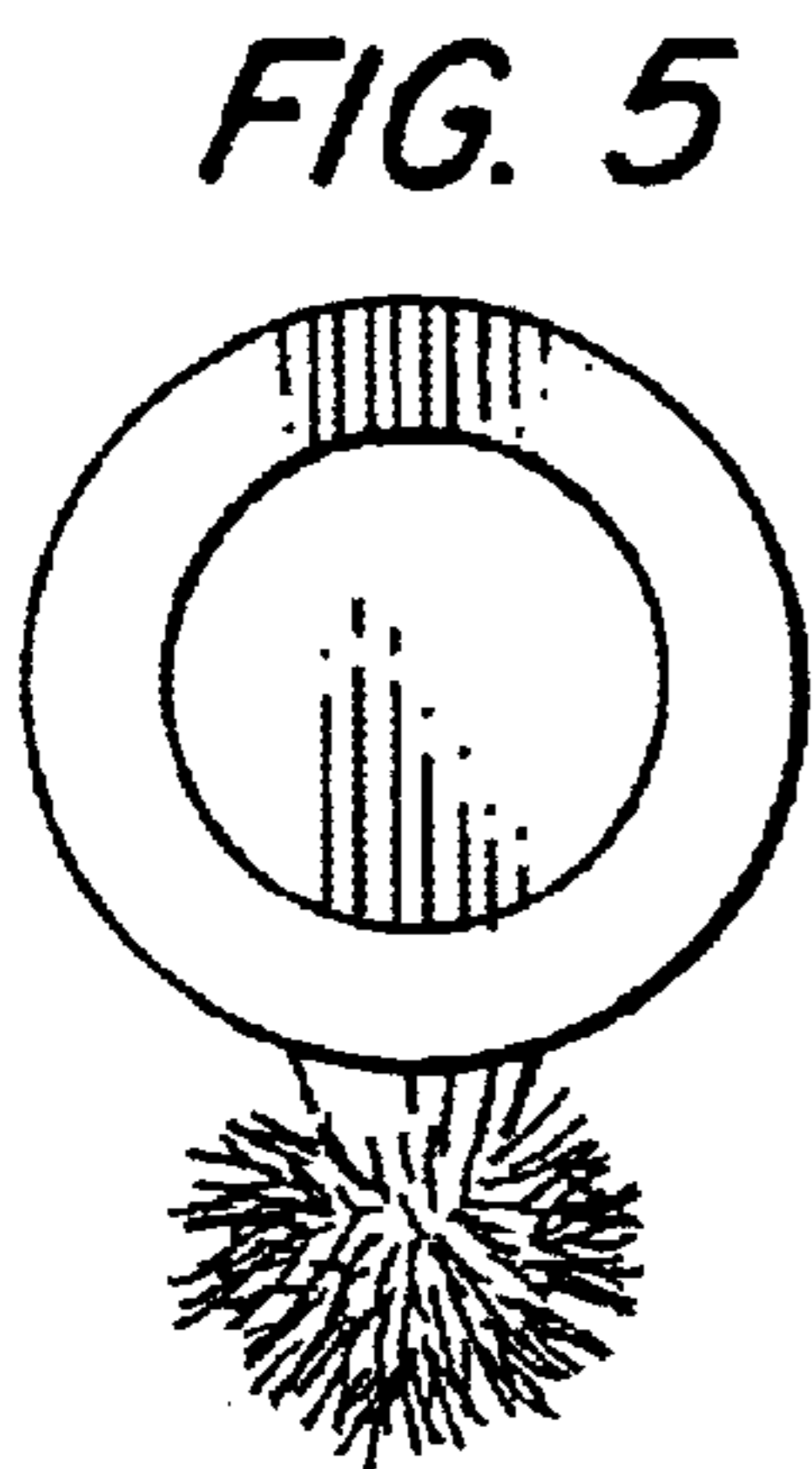


FIG. 5

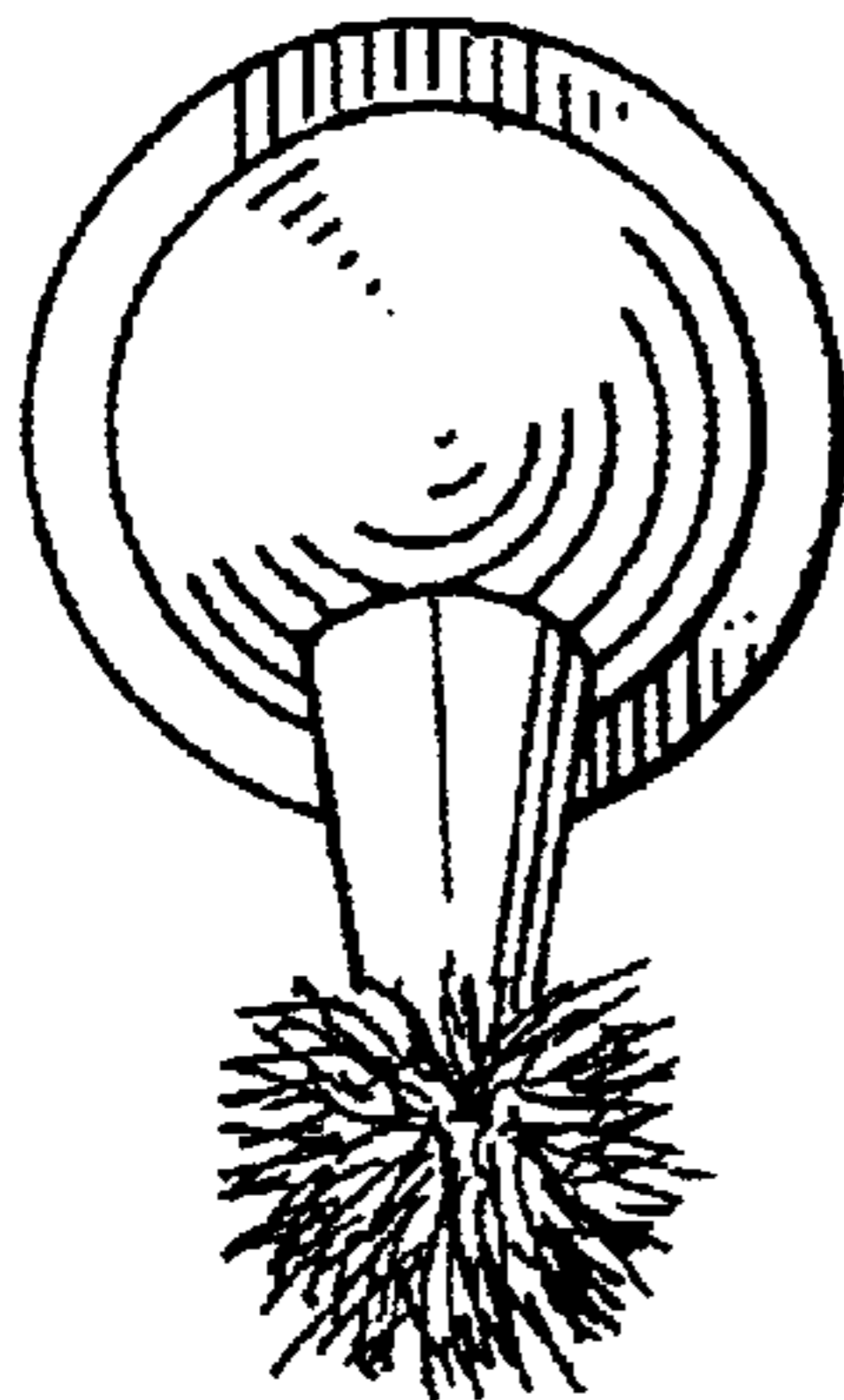


FIG. 6