

US00D496998S1

(12) **United States Design Patent**  
**Pajunk et al.**

(10) **Patent No.:** **US D496,998 S**

(45) **Date of Patent:** **\*\* Oct. 5, 2004**

(54) **VALVE FOR TROCAR DEVICE**

*Primary Examiner*—Ian Simmons

(75) Inventors: **Horst Pajunk**, Geisingen (DE);  
**Heinrich Pajunk**, Geisingen (DE)

(74) *Attorney, Agent, or Firm*—Pendorf & Cutliff

(73) Assignee: **Pajunk GmbH** (DE)

(57) **CLAIM**

(\*\*) Term: **14 Years**

The ornamental design for a valve for trocar device, as shown and described.

(21) Appl. No.: **29/185,352**

(22) Filed: **Jun. 26, 2003**

**DESCRIPTION**

(51) **LOC (7) Cl.** ..... **24-02**

FIG. 1 is bottom view of a valve for trocar device according to the present invention;

(52) **U.S. Cl.** ..... **D24/146**; D24/129

FIG. 2 is a left side view of the a valve for trocar device according to the present invention;

(58) **Field of Search** ..... D24/146, 129;  
606/185, 167; 600/566, 567; 604/256, 264,  
247, 248, 184, 158, 167.03, 167.04, 167.06,  
167.05, 167.02, 167.01, 510

FIG. 3 is a top view of the a valve for trocar device according to the present invention;

FIG. 4 is a right side view of the a valve for trocar device according to the present invention;

(56) **References Cited**

**U.S. PATENT DOCUMENTS**

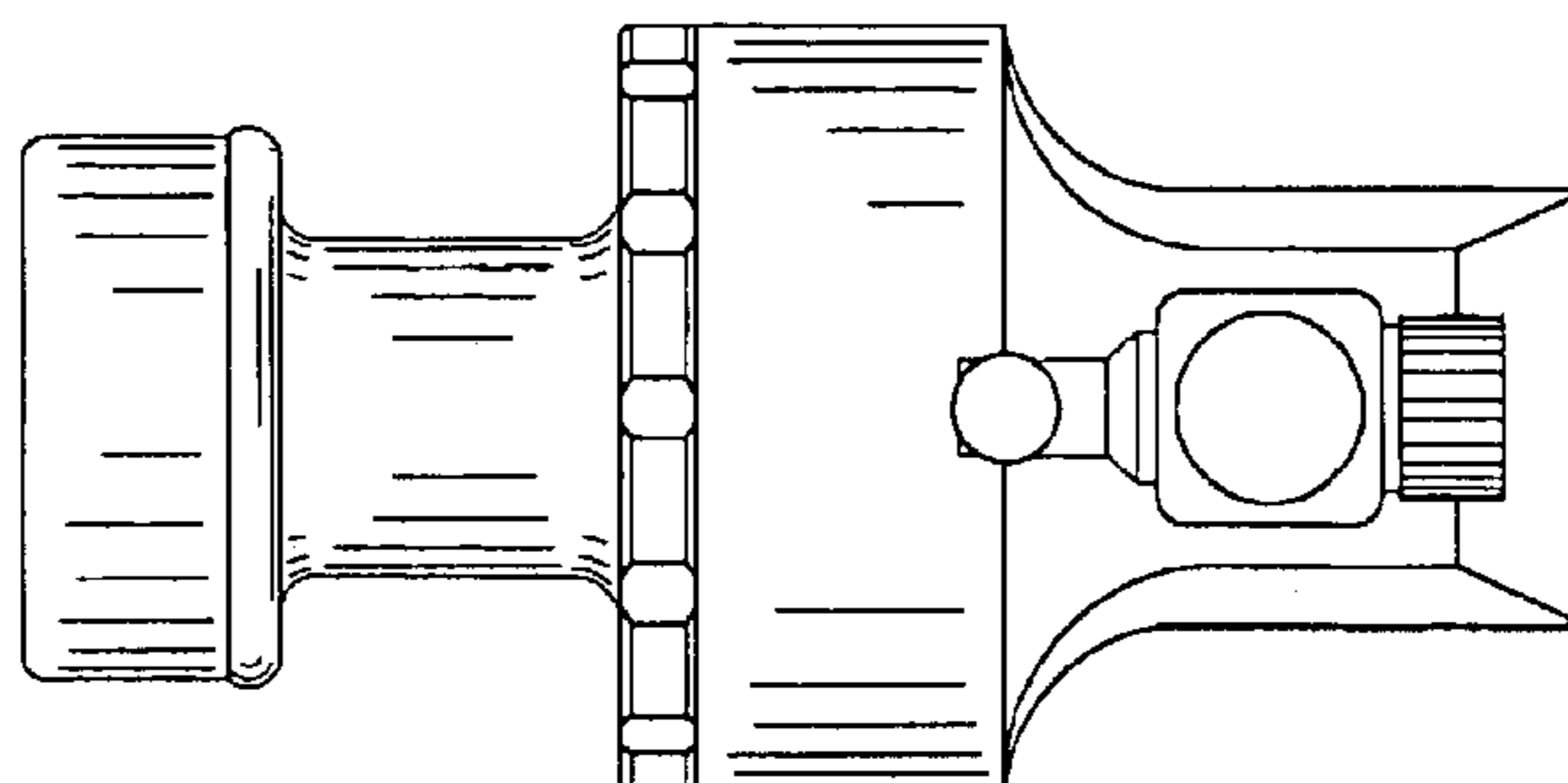
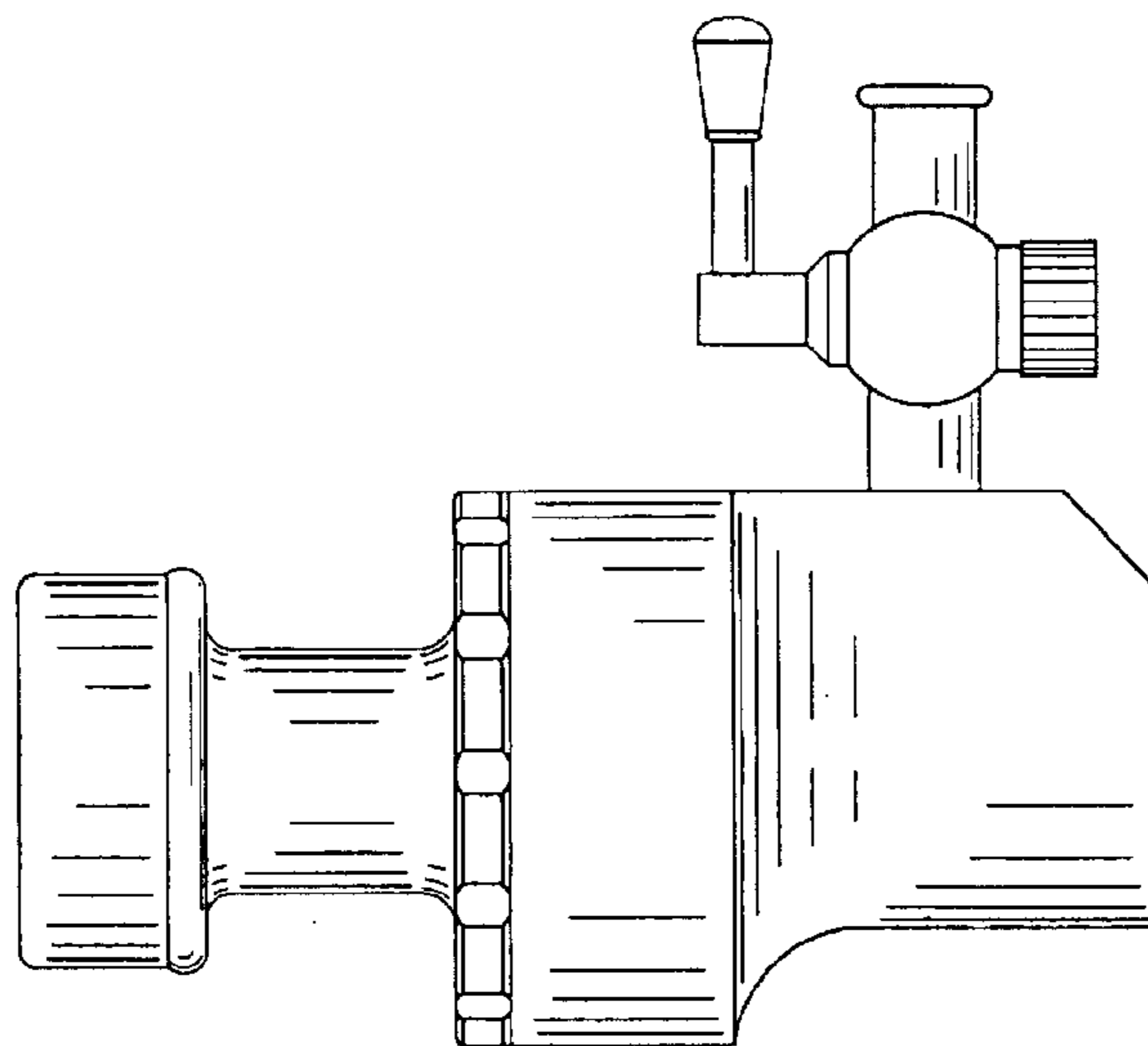
FIG. 5 is a front view of the valve for trocar device according to FIG. 2; and,

FIG. 6 is a back view of the valve for trocar device according to FIG. 2.

6,569,119 B1 \* 5/2003 Haberland et al. .... 604/167.03  
2004/0064100 A1 \* 4/2004 Smith ..... 604/167.06

\* cited by examiner

**1 Claim, 3 Drawing Sheets**



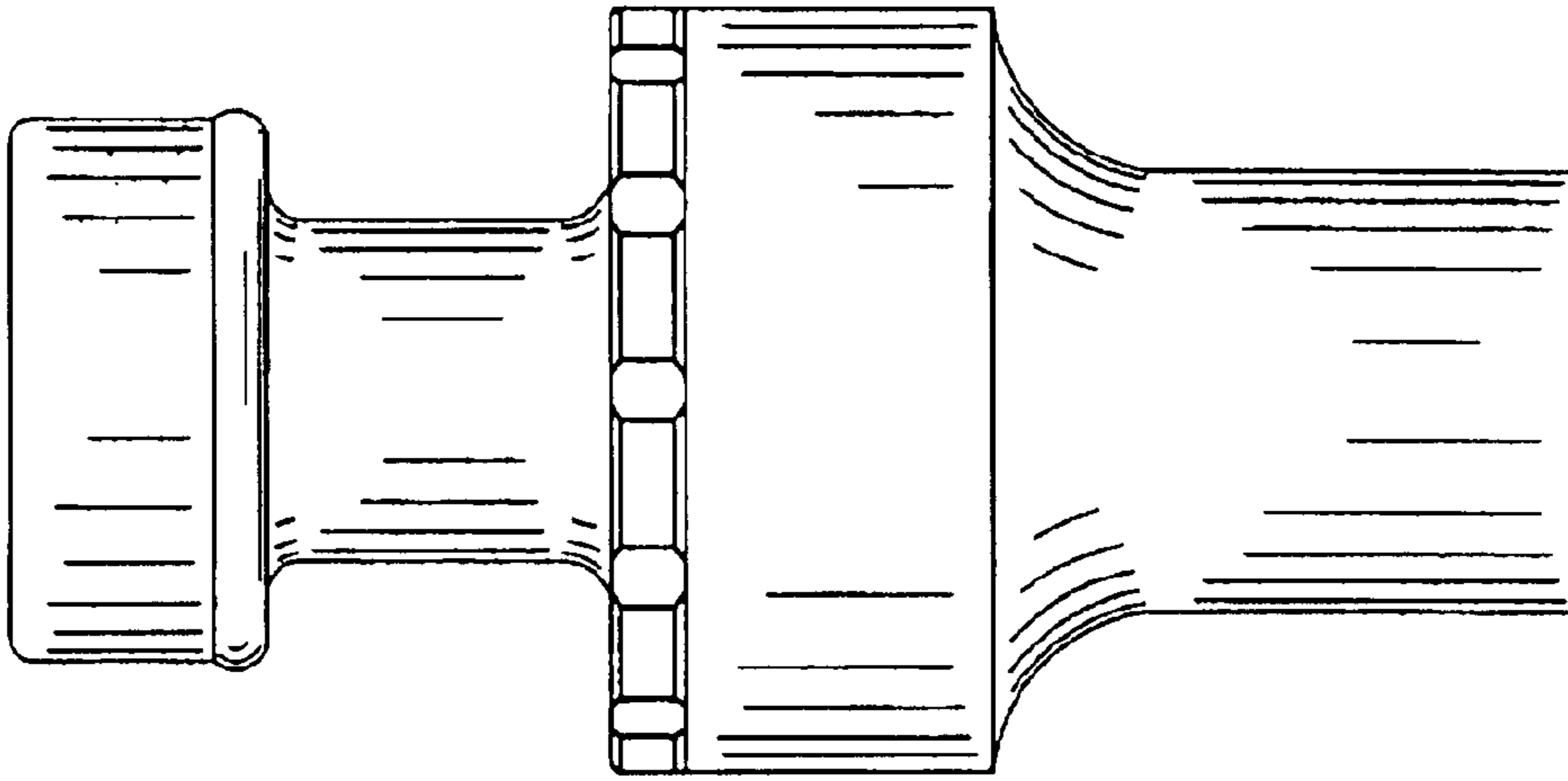


Fig. 1

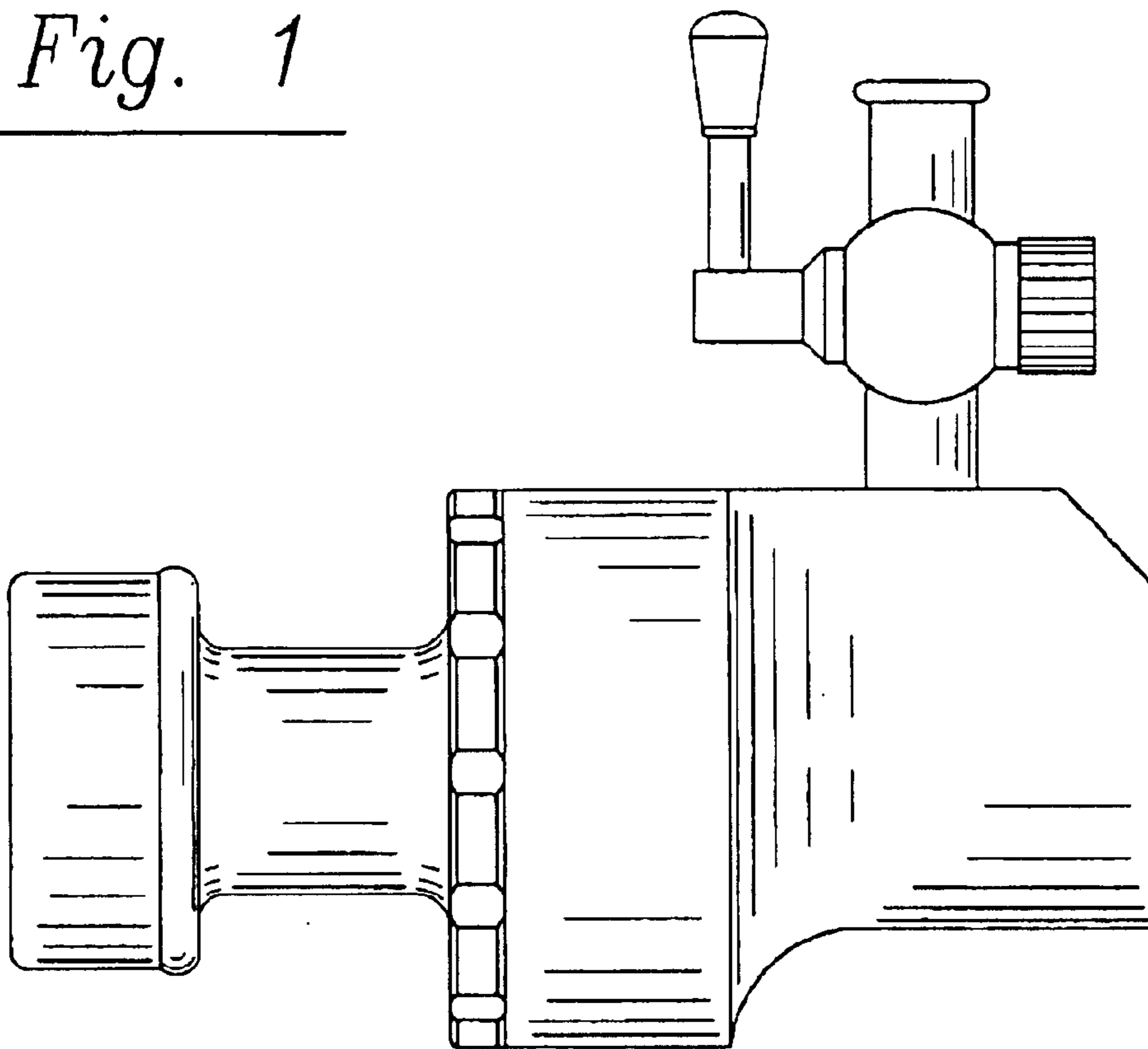


Fig. 2

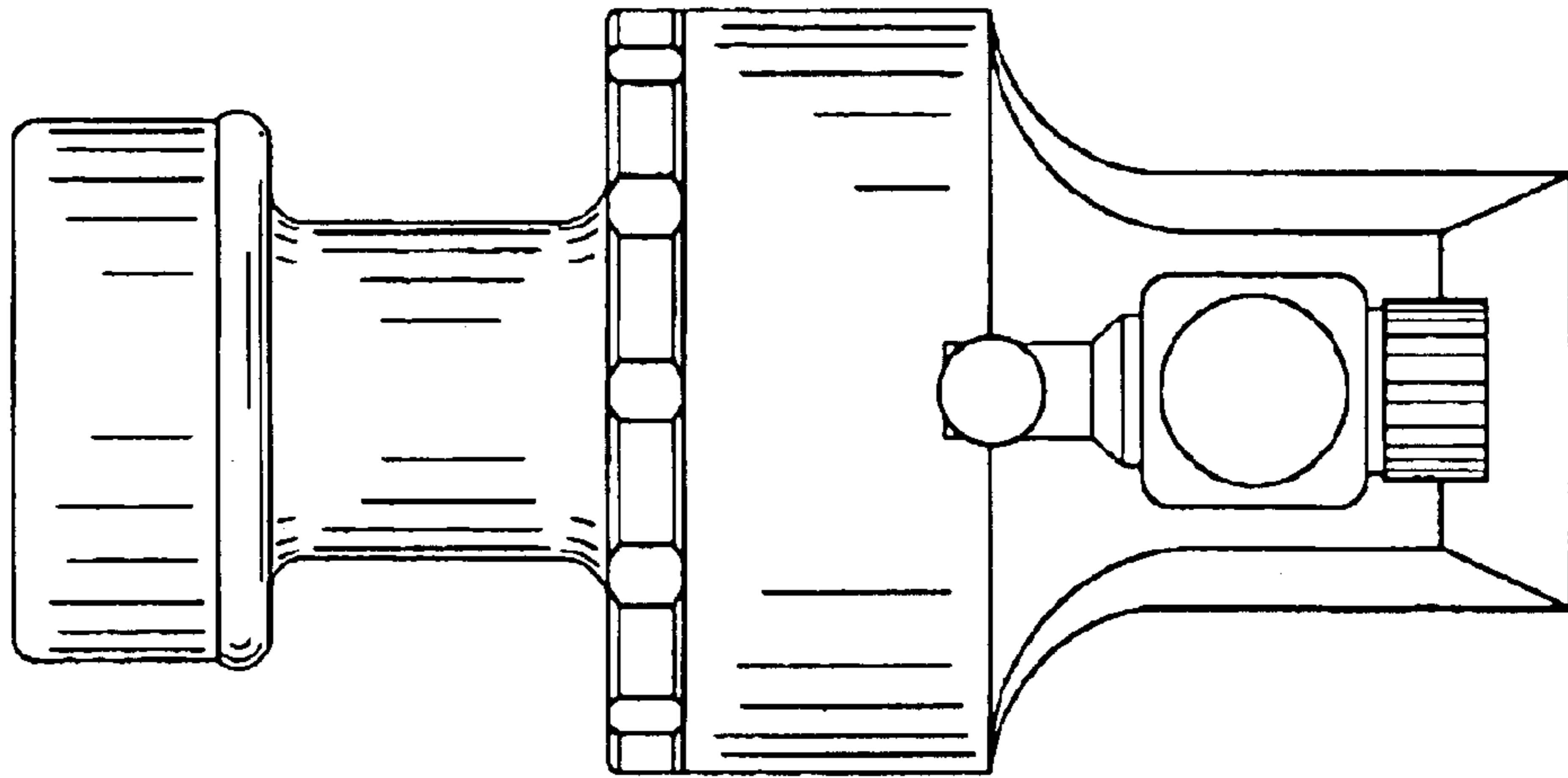


Fig. 3

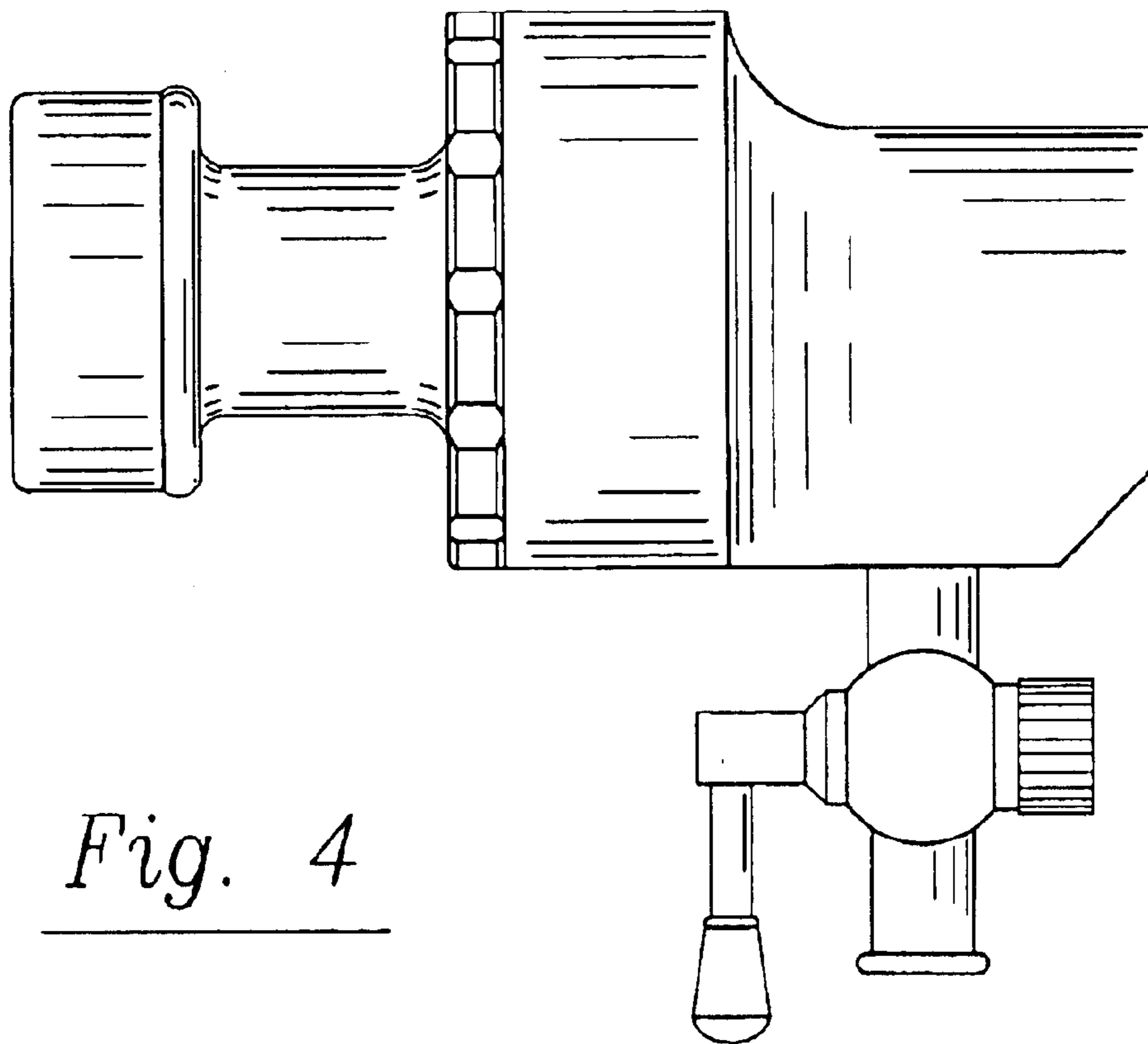


Fig. 4

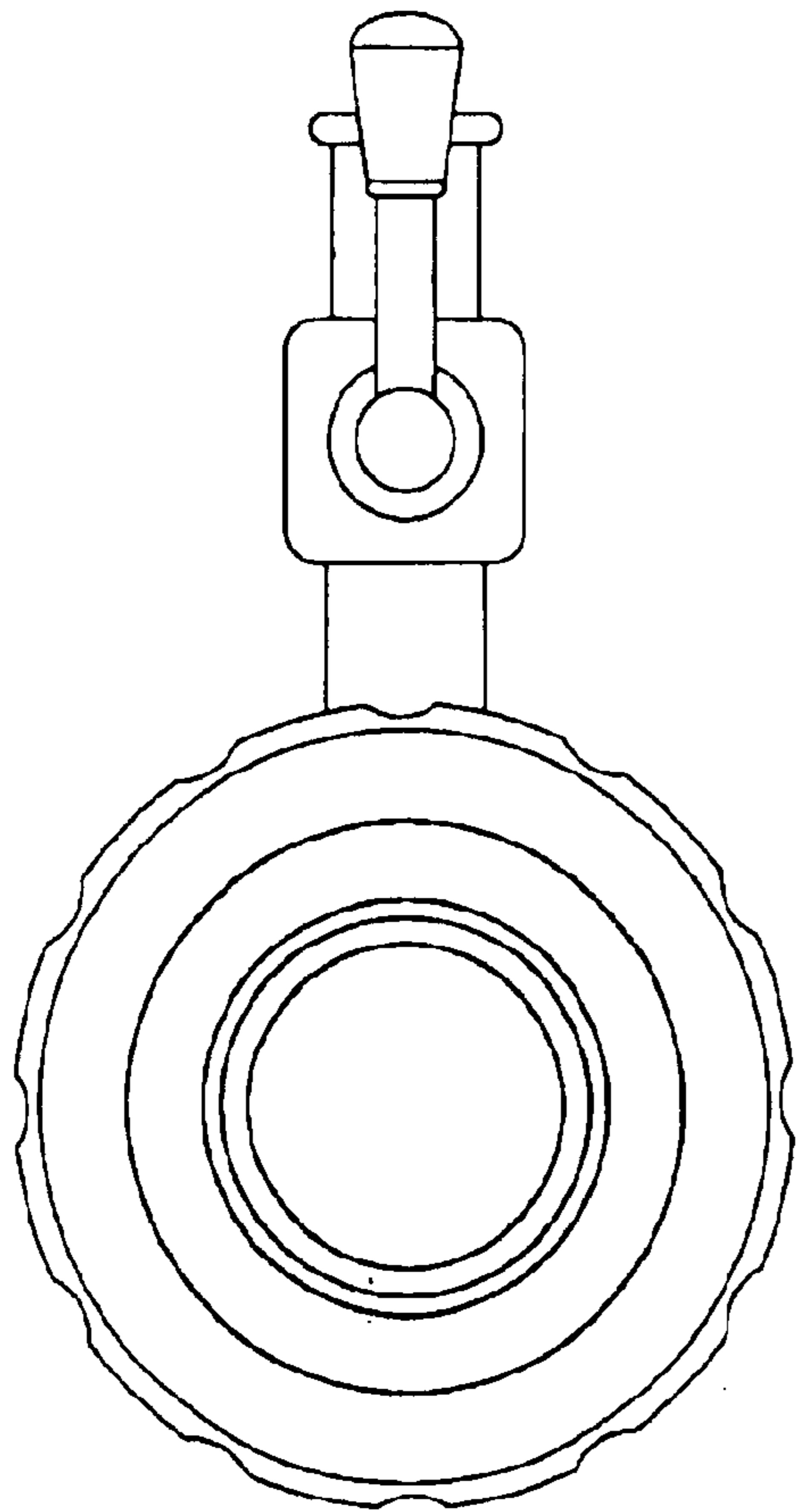


Fig. 5

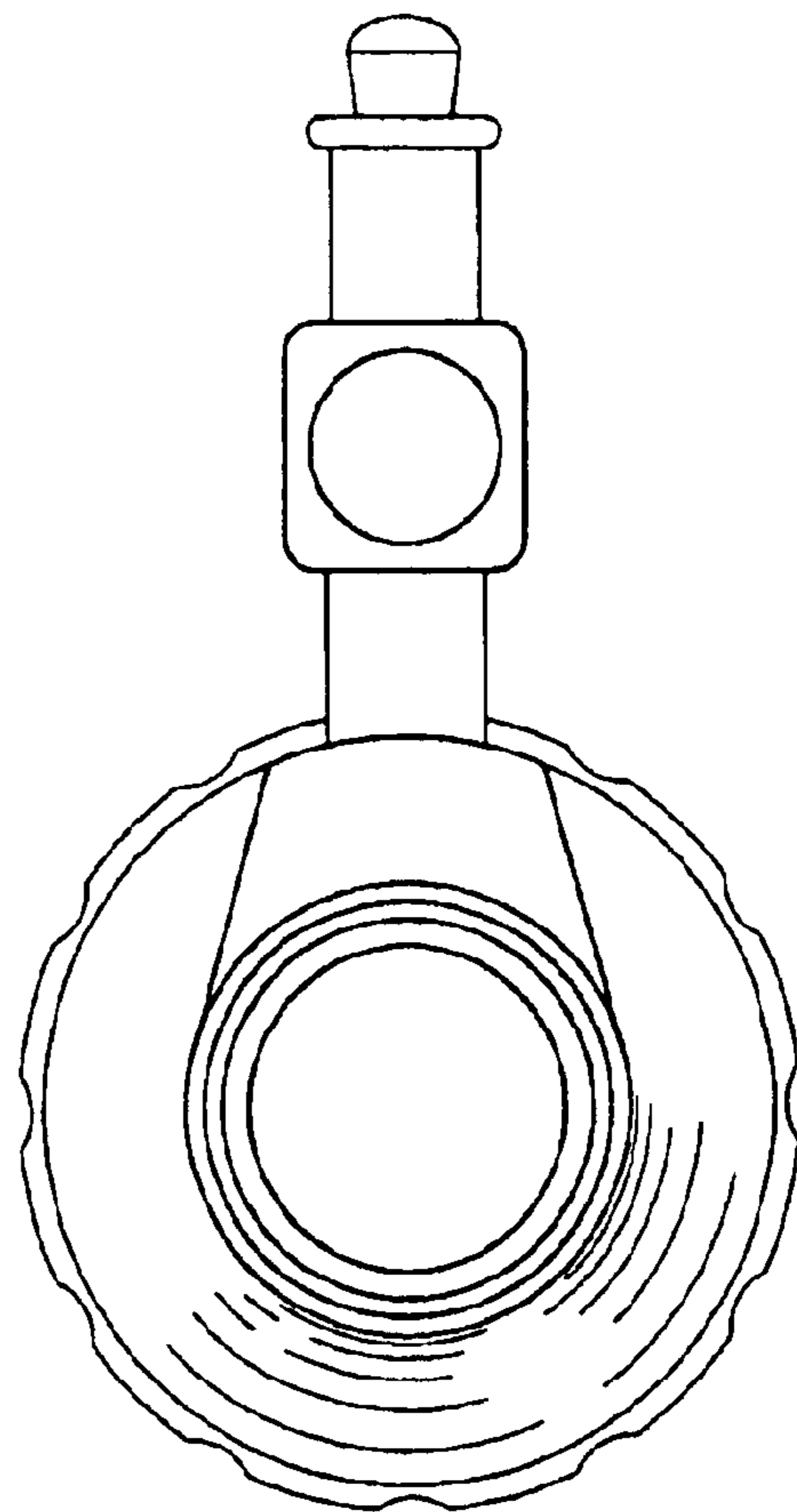


Fig. 6