



US00D496995S1

(12) **United States Design Patent**  
**Dorfman**

(10) **Patent No.:** **US D496,995 S**  
(45) **Date of Patent:** **\*\* Oct. 5, 2004**

(54) **COMBINED DENTAL LIP AND TONGUE  
RETRACTOR**

(75) Inventor: **William Dorfman**, Granada Hills, CA  
(US)

(73) Assignee: **Discus Dental Impressions, Inc.**,  
Culver City, CA (US)

(\*\*) Term: **14 Years**

(21) Appl. No.: **29/172,164**

(22) Filed: **Dec. 6, 2002**

(51) **LOC (7) Cl.** ..... **24-02**

(52) **U.S. Cl.** ..... **D24/135**

(58) **Field of Search** ..... D24/135; 433/37,  
433/38, 93, 94, 138, 140; 600/201, 208,  
215, 237, 239, 242

(56) **References Cited**

**U.S. PATENT DOCUMENTS**

1,170,333 A	2/1916	Reyer	
1,389,436 A	* 8/1921	Cameron	600/219
3,241,550 A	3/1966	Gelarie	
3,916,880 A	11/1975	Schroer	
4,002,162 A	1/1977	Weisser	
4,019,255 A	* 4/1977	Cohen et al.	433/93
4,179,815 A	* 12/1979	Hoffman	433/140
4,200,089 A	4/1980	Inoue	

4,259,067 A	*	3/1981	Nelson	433/93
4,511,329 A		4/1985	Diamond	
4,671,260 A		6/1987	Buckner	
4,889,491 A		12/1989	Krygier et al.	
5,037,298 A		8/1991	Hickham	
5,115,799 A		5/1992	McGann	
5,730,597 A		3/1998	Luttrell	
5,873,718 A		2/1999	Sullivan	
6,102,701 A		8/2000	Engeron	

\* cited by examiner

*Primary Examiner*—Stella Reid

(74) *Attorney, Agent, or Firm*—Christie, Parker & Hale,  
LLP

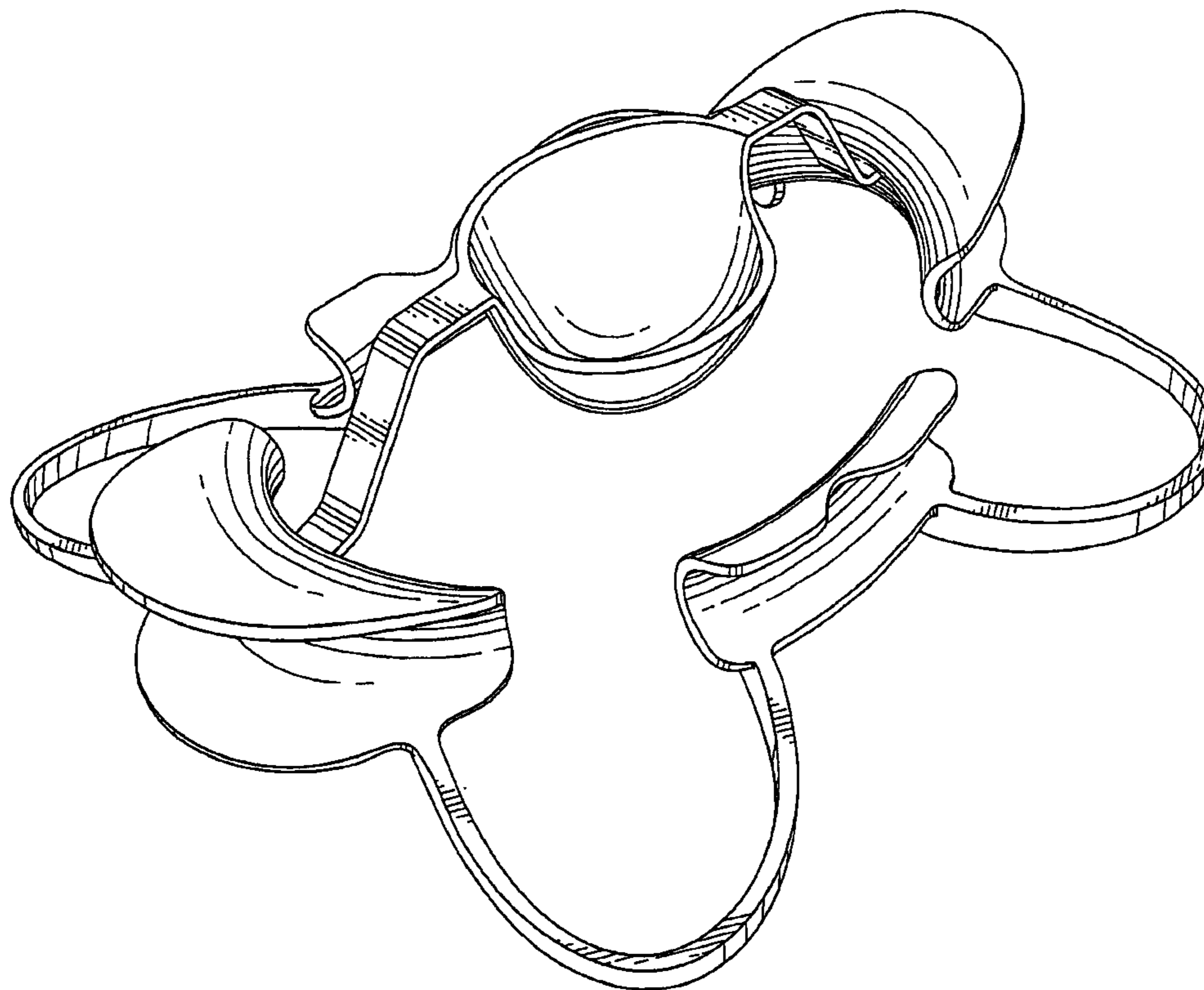
(57) **CLAIM**

The ornamental design for a combined dental lip and tongue retractor, as shown and described.

**DESCRIPTION**

FIG. 1 is a perspective view of a combined dental lip and tongue retractor, showing my new design;  
FIG. 2 is a bottom plan view thereof;  
FIG. 3 is a side elevation view thereof;  
FIG. 4 is a top plan view thereof;  
FIG. 5 is a side elevation view thereof, from another angle;  
and,  
FIG. 6 is a side elevation view thereof; from another angle.

**1 Claim, 4 Drawing Sheets**



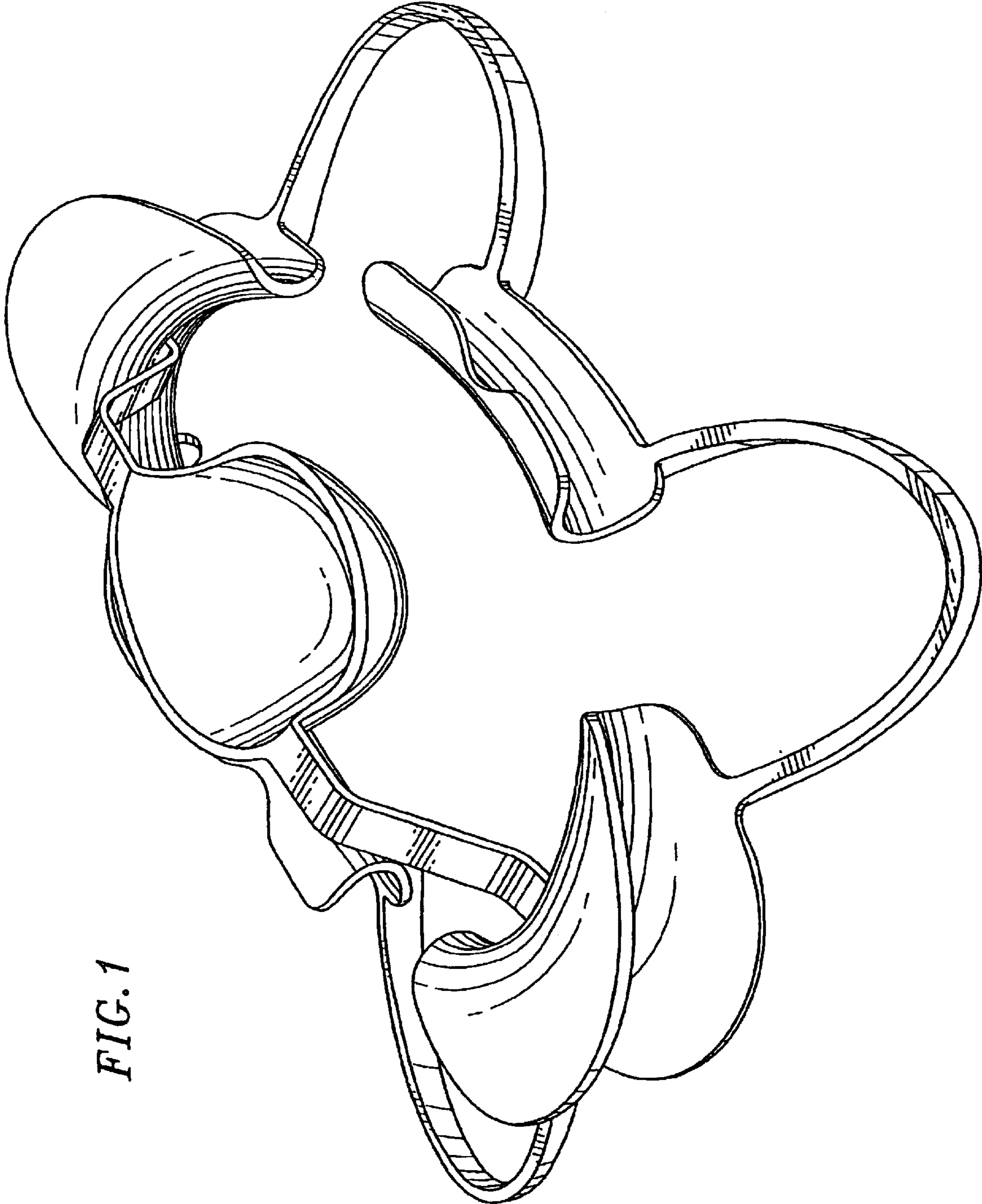
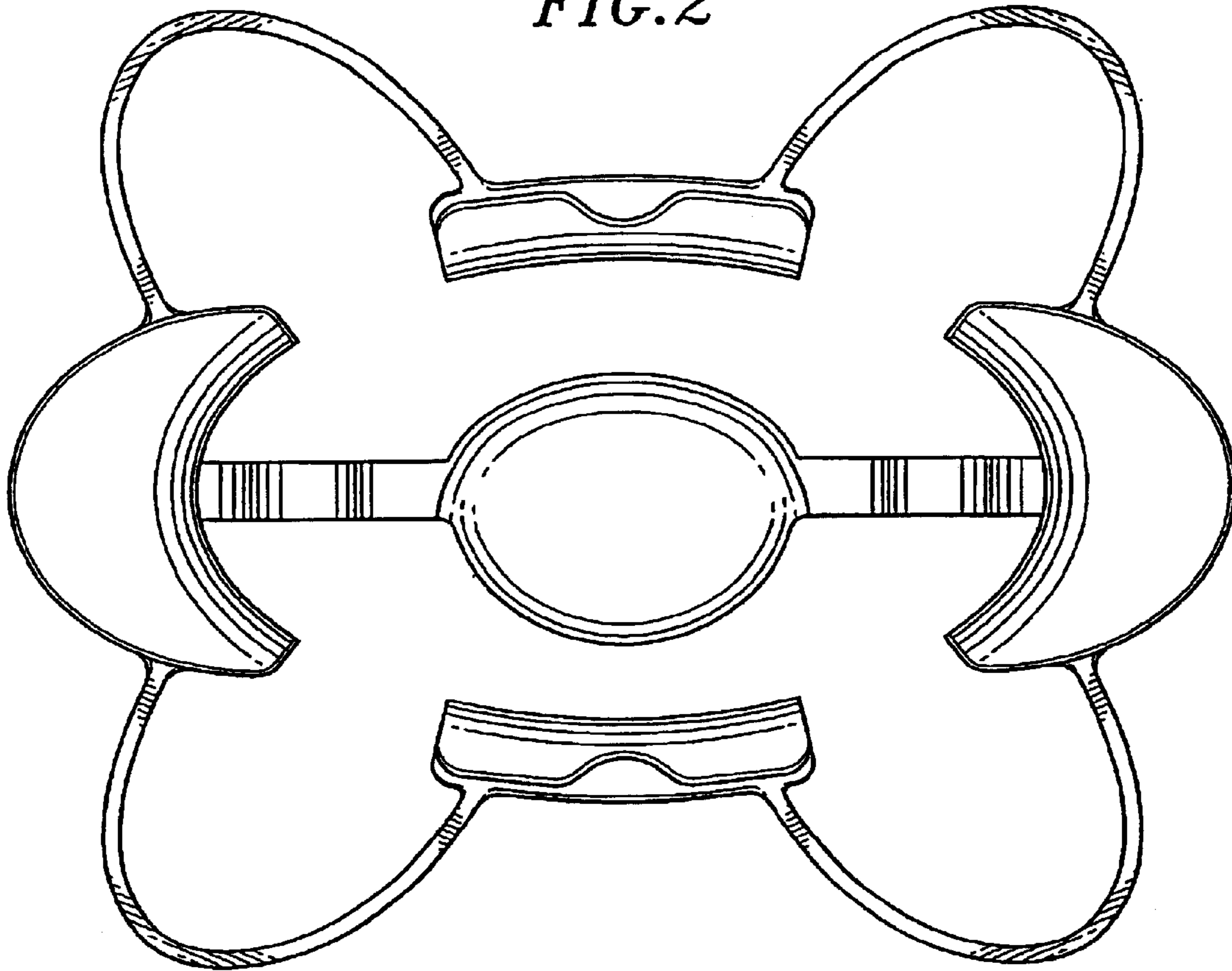
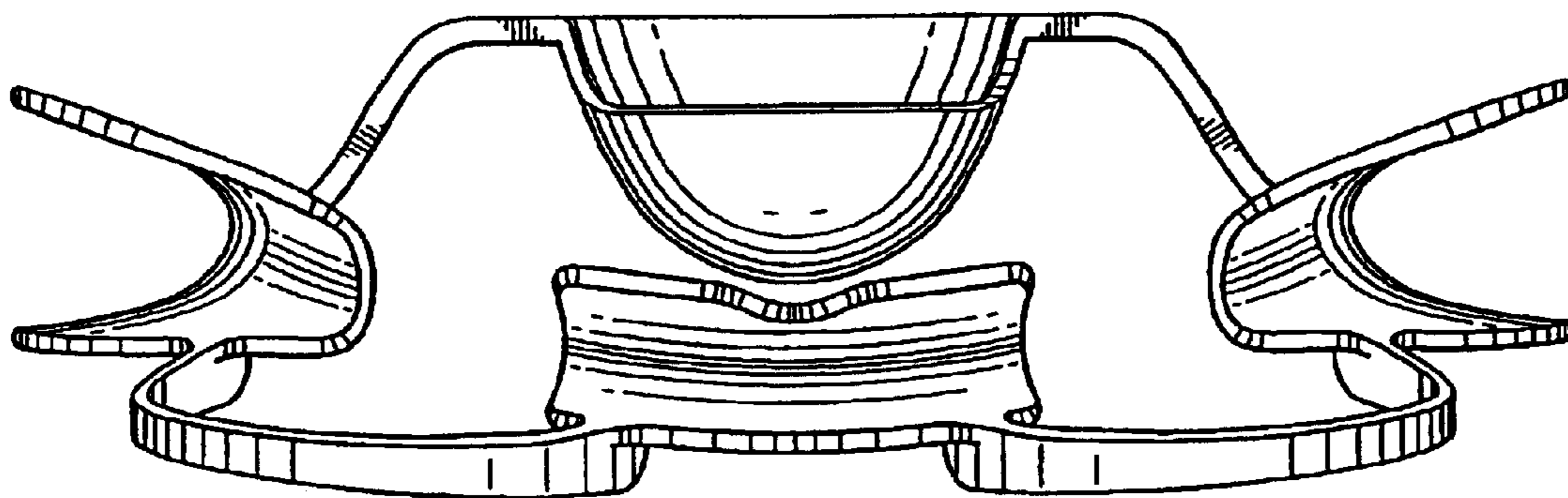


FIG. 1

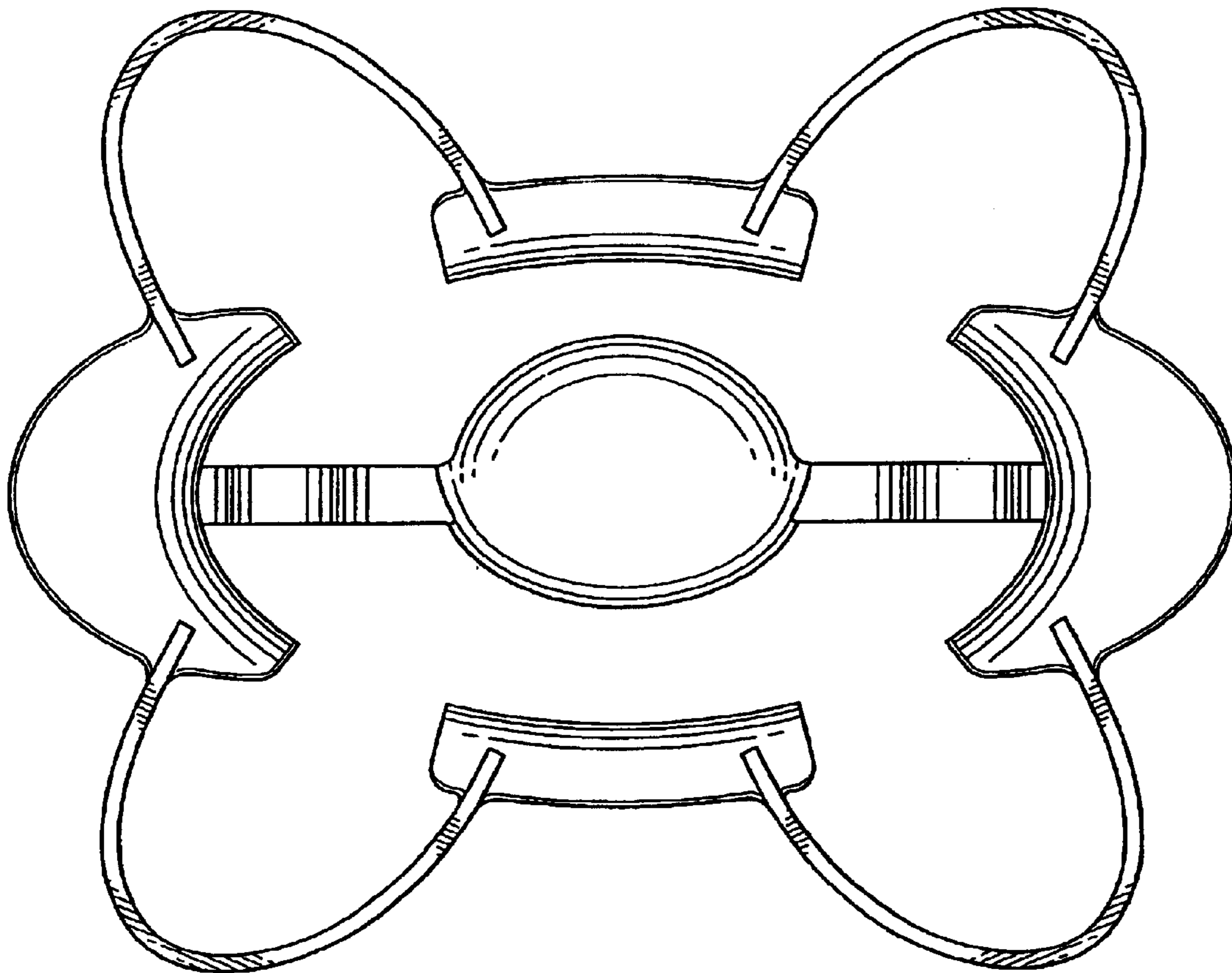
*FIG. 2*



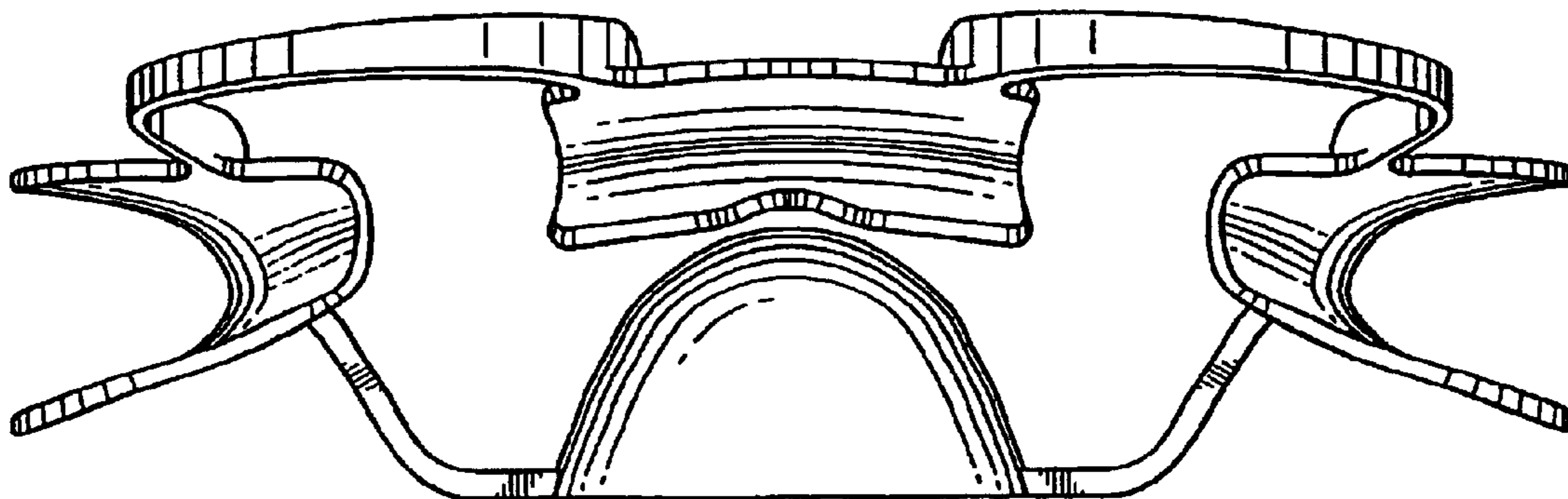
*FIG. 3*



*FIG. 4*



*FIG. 5*



*FIG. 6*

