

US00D496994S1

(12) **United States Design Patent**  
**Tague et al.**

(10) **Patent No.:** **US D496,994 S**  
(45) **Date of Patent:** **\*\* Oct. 5, 2004**

(54) **COMBINED MONOMER CRACKER AND TOOL**

4,570,838 A \* 2/1986 Szemere et al. .... 225/93  
D291,489 S \* 8/1987 Dudnyk ..... D24/127

(75) Inventors: **Christopher M. Tague**, Portage, MI (US); **Kris D. Eager**, Richland, MI (US)

\* cited by examiner

*Primary Examiner*—Holly Baynham  
(74) *Attorney, Agent, or Firm*—Howard & Howard

(73) Assignee: **Stryker Instruments**, Kalamazoo, MI (US)

(57) **CLAIM**

(\*\*) Term: **14 Years**

We claim the ornamental design for a combined monomer cracker and tool, as shown.

(21) Appl. No.: **29/169,599**

**DESCRIPTION**

(22) Filed: **Oct. 23, 2002**

FIG. 1 is a perspective view of a combined monomer cracker and tool;

(51) **LOC (7) Cl.** ..... **24-02**

FIG. 2 is a side view of the combined monomer cracker and tool, both sides being identical;

(52) **U.S. Cl.** ..... **D24/133**

FIG. 3 is a top view of the combined monomer cracker and tool;

(58) **Field of Search** ..... D24/115, 127, D24/133; 606/93; 30/164.9; 225/93, 97; D8/14

FIG. 4 is a bottom view of the combined monomer cracker and tool;

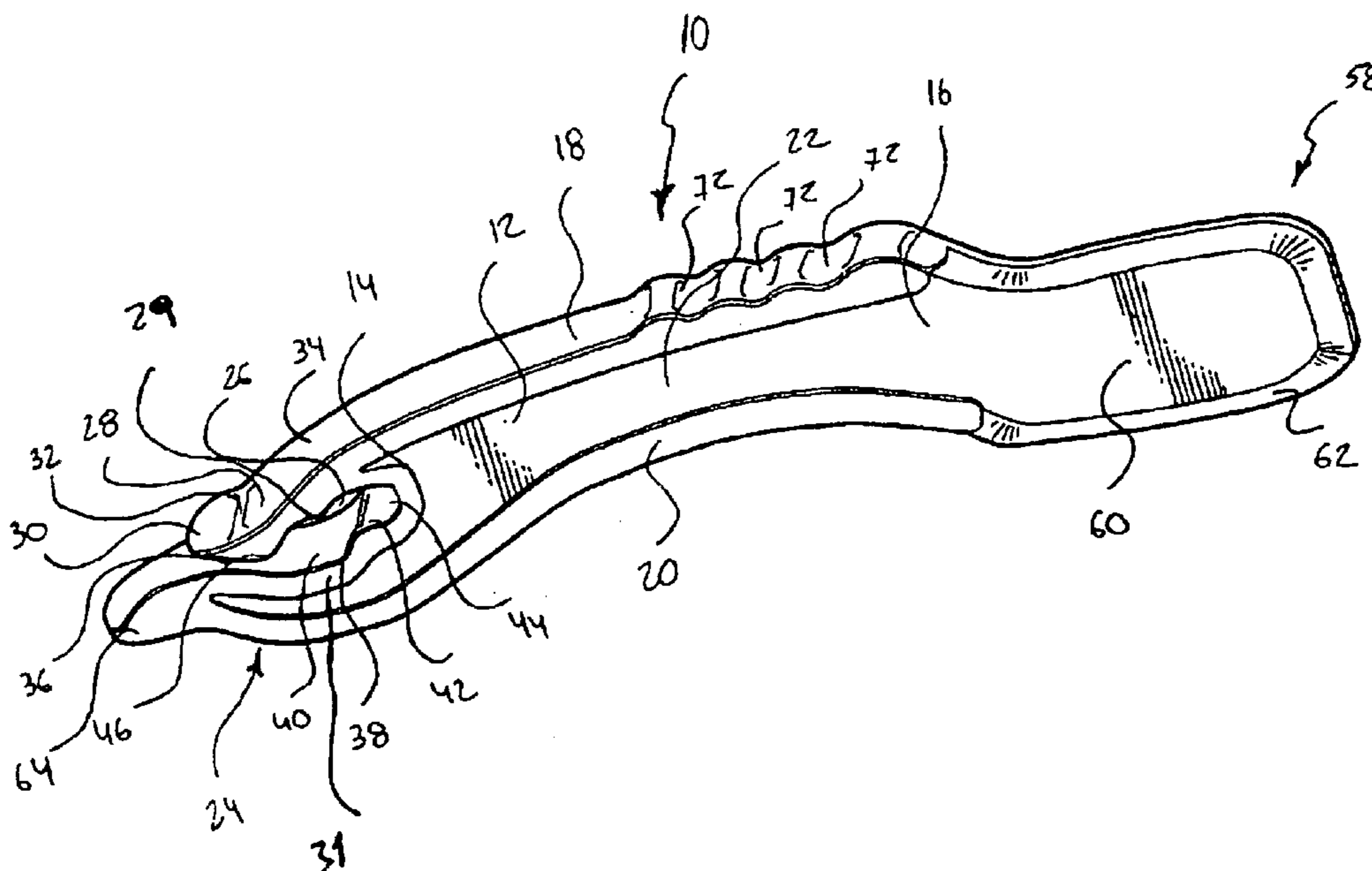
(56) **References Cited**

FIG. 5 is an end view taken from the left end of FIG. 2; and, FIG. 6 is an end view taken from the right end of FIG. 2.

**U.S. PATENT DOCUMENTS**

4,508,250 A \* 4/1985 PUNCHAK ..... 225/97

**1 Claim, 3 Drawing Sheets**



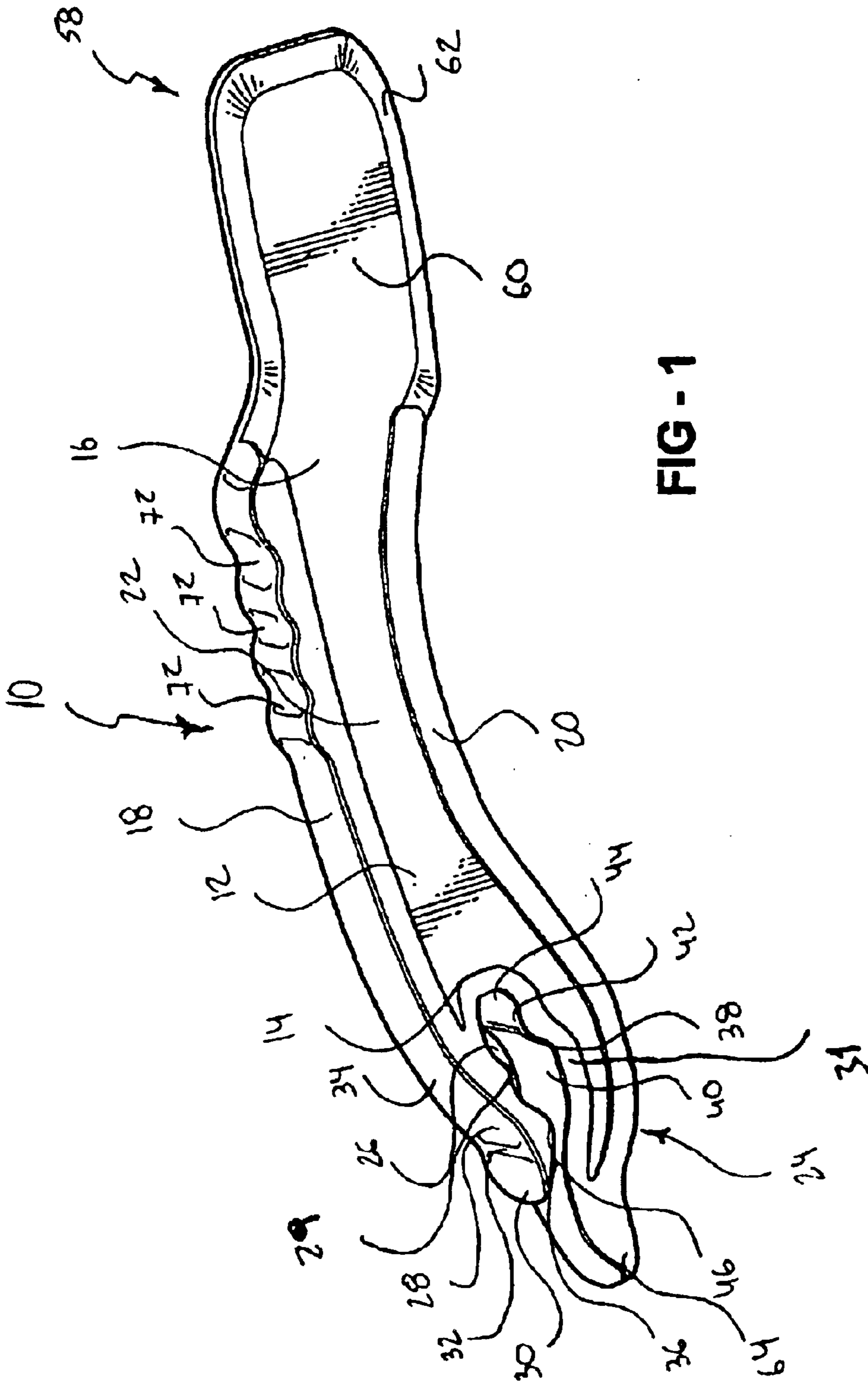
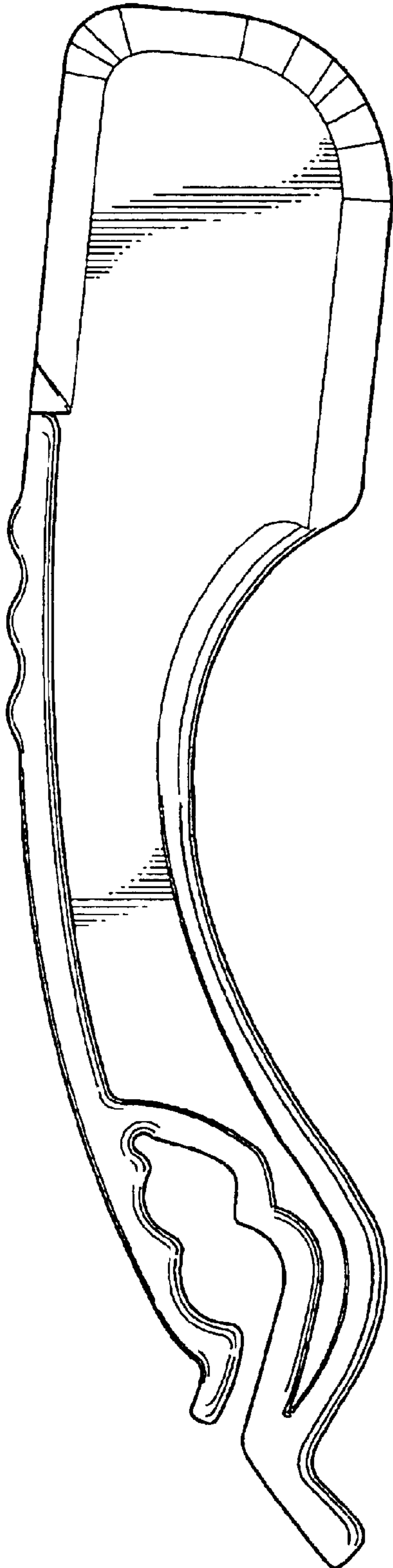
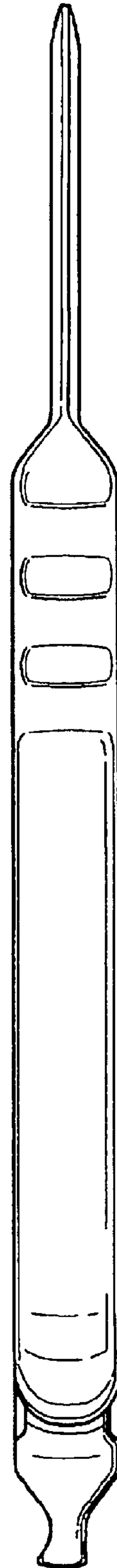


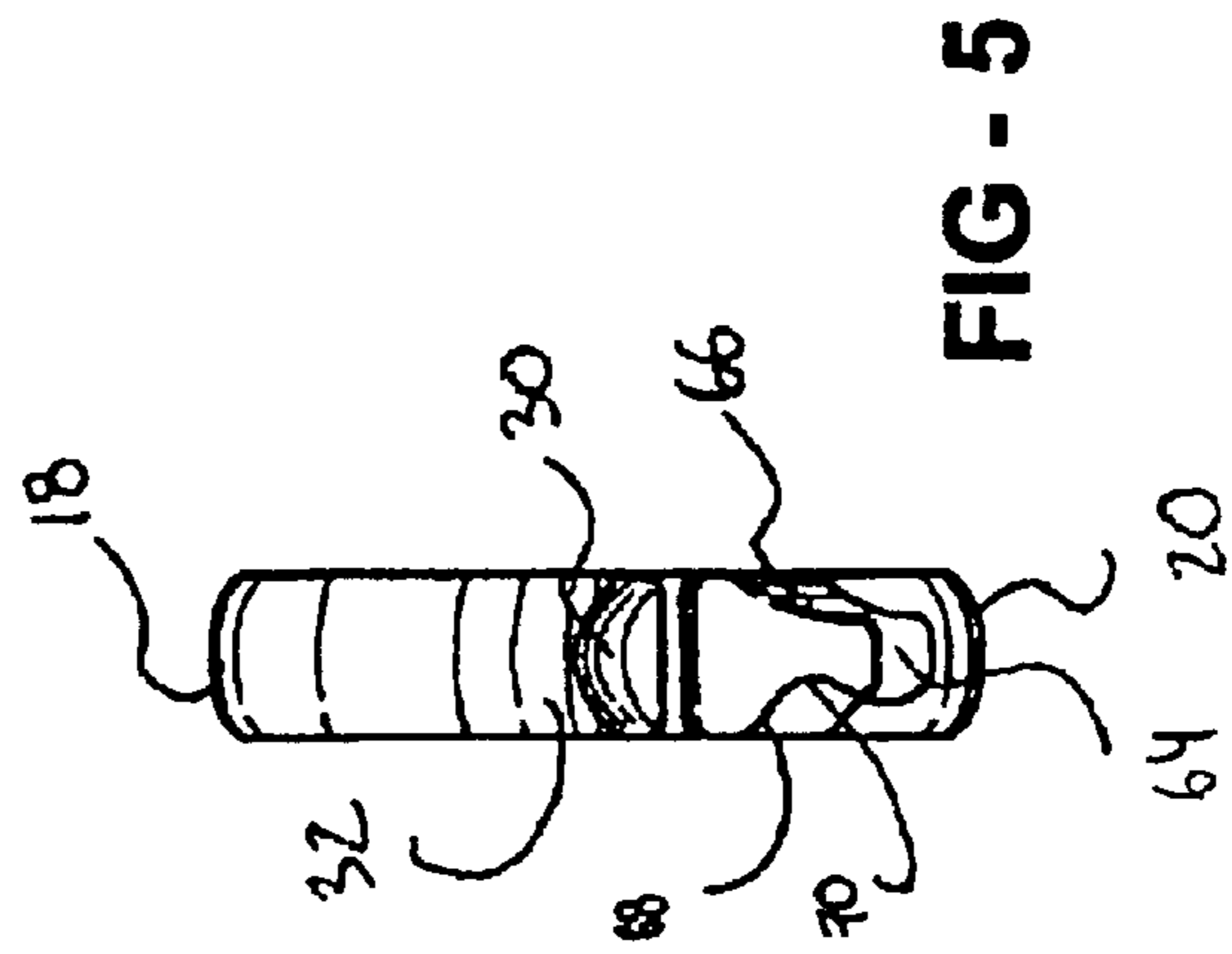
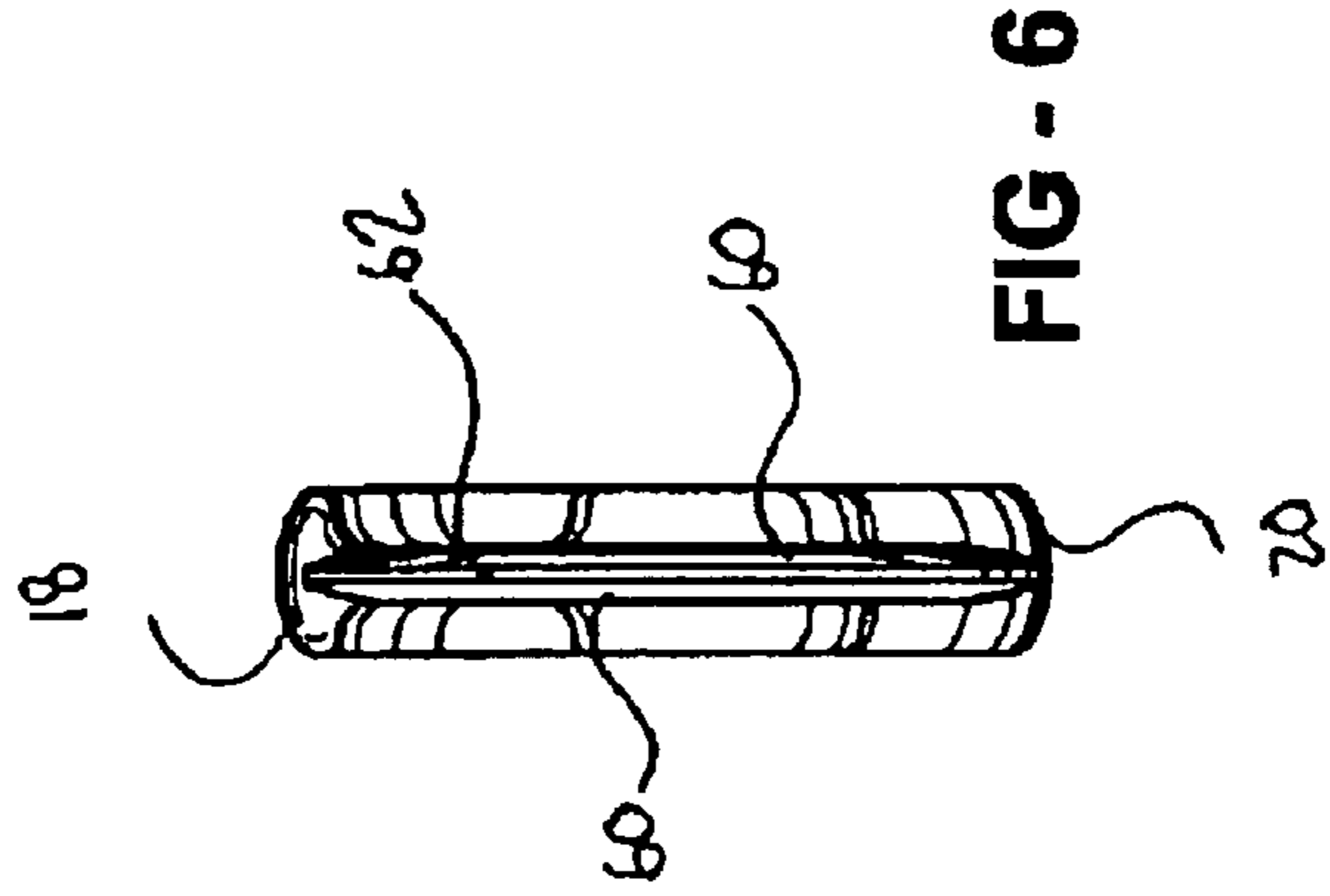
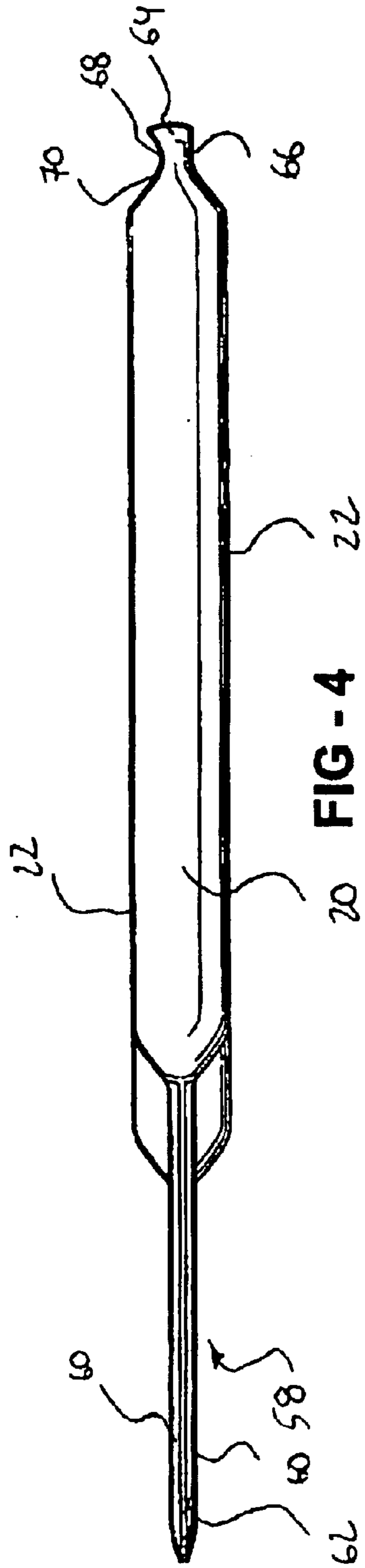
FIG - 1



**FIG - 2**



**FIG - 3**



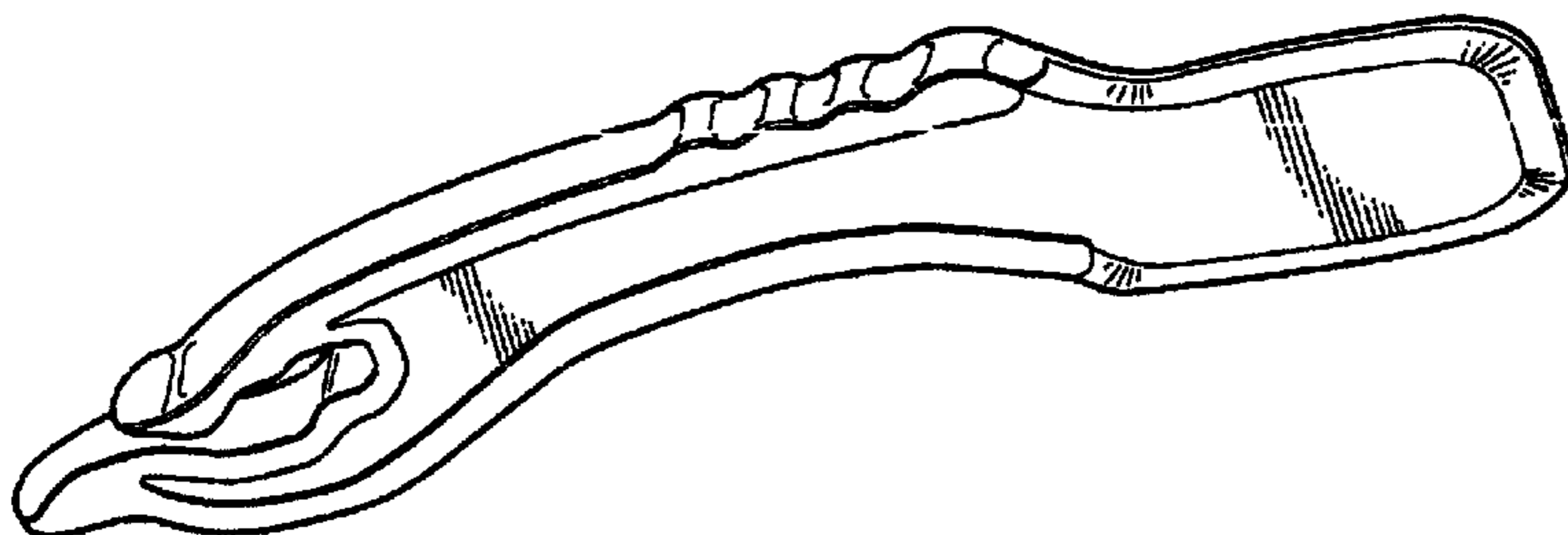
UNITED STATES PATENT AND TRADEMARK OFFICE  
**CERTIFICATE OF CORRECTION**

PATENT NO. : Des. 496,994 S  
APPLICATION NO. : 29/169599  
DATED : October 5, 2004  
INVENTOR(S) : Christopher M. Tague and Kris D. Eager

Page 1 of 4

It is certified that error appears in the above-identified patent and that said Letters Patent is hereby corrected as shown below:

On The Title Page, - Delete all reference numerals and lead lines from the Figure (Figure 1) on the Title Page of US Patent D496,994. as shown on attached page.



Signed and Sealed this

Fourth Day of March, 2008

Handwritten signature of Jon W. Dudas in cursive script.

JON W. DUDAS

*Director of the United States Patent and Trademark Office*

(12) **United States Design Patent** (10) Patent No.: **US D496,994 S**  
Tague et al. (45) Date of Patent: **\*\* Oct. 5, 2004**

(54) **COMBINED MONOMER CRACKER AND TOOL**

4,570,838 A \* 2/1986 Szemete et al. .... 225/93  
D291,489 S \* 8/1987 Dudnyk ..... D24/127

(75) Inventors: **Christopher M. Tague**, Portage, MI (US); **Kris D. Eager**, Richland, MI (US)

\* cited by examiner

*Primary Examiner*—Holly Baynham  
(74) *Attorney, Agent, or Firm*—Howard & Howard

(73) Assignee: **Stryker Instruments**, Kalamazoo, MI (US)

(57) **CLAIM**

(\*\*) Term: **14 Years**

We claim the ornamental design for a combined monomer cracker and tool, as shown.

(21) Appl. No.: **29/169,599**

**DESCRIPTION**

(22) Filed: **Oct. 23, 2002**

FIG. 1 is a perspective view of a combined monomer cracker and tool;

(51) LOC (7) Cl. .... **24-02**

FIG. 2 is a side view of the combined monomer cracker and tool, both sides being identical;

(52) U.S. Cl. .... **D24/133**

FIG. 3 is a top view of the combined monomer cracker and tool;

(58) Field of Search ..... D24/115, 127, D24/133; 606/93; 30/164.9; 225/93, 97; D8/14

FIG. 4 is a bottom view of the combined monomer cracker and tool;

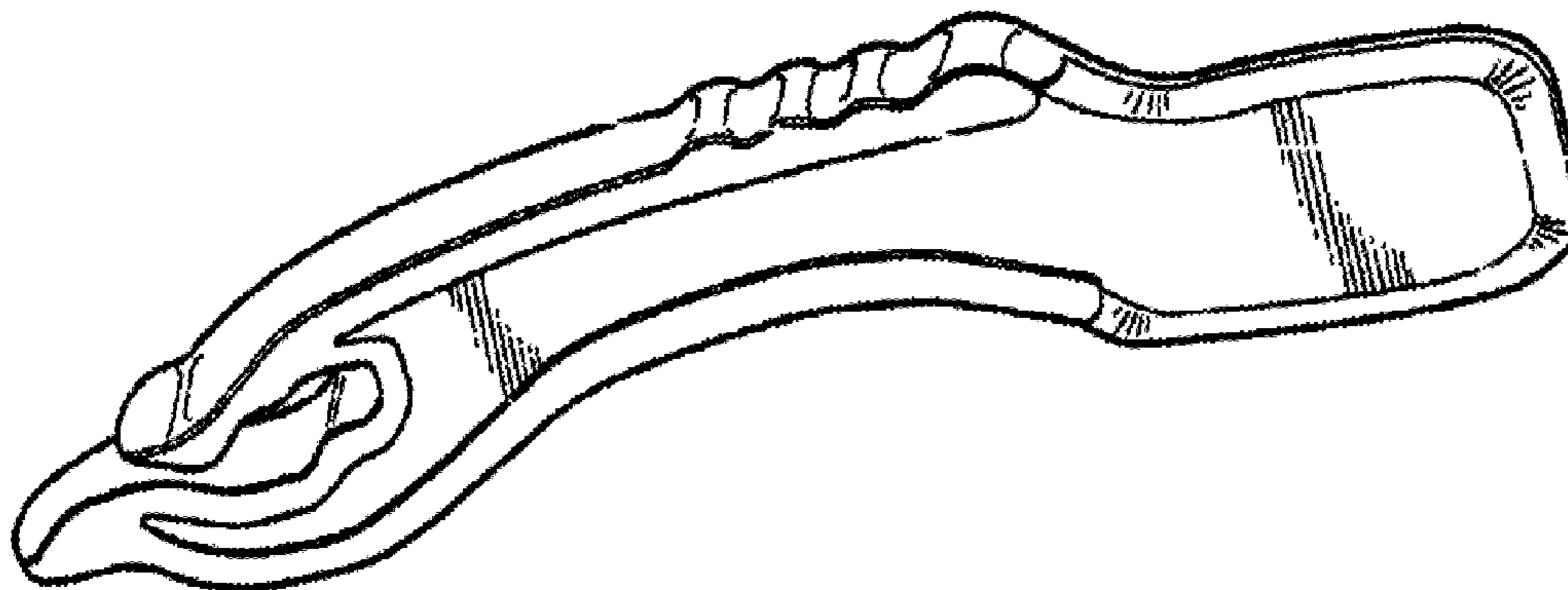
(56) **References Cited**

FIG. 5 is an end view taken from the left end of FIG. 2; and, FIG. 6 is an end view taken from the right end of FIG. 2.

**U.S. PATENT DOCUMENTS**

4,508,250 A \* 4/1985 Panchuk ..... 225/97

**1 Claim, 3 Drawing Sheets**



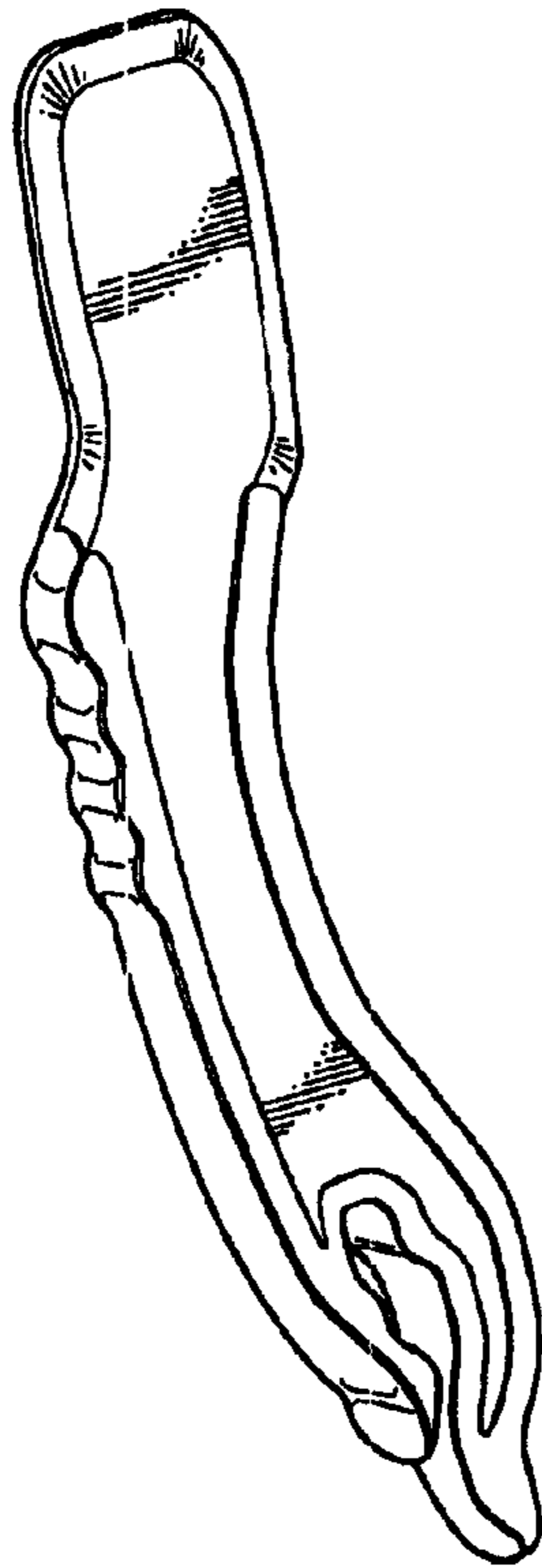
UNITED STATES PATENT AND TRADEMARK OFFICE  
**CERTIFICATE OF CORRECTION**

PATENT NO. : Des. 496,994 S  
APPLICATION NO. : 29/169599  
DATED : October 5, 2004  
INVENTOR(S) : Christopher M. Tague and Kris D. Eager

Page 3 of 4

It is certified that error appears in the above-identified patent and that said Letters Patent is hereby corrected as shown below:

Sheet 1, Figure 1 - Delete all reference numerals and lead lines from Figure 1.



**FIG - 1**

UNITED STATES PATENT AND TRADEMARK OFFICE  
**CERTIFICATE OF CORRECTION**

PATENT NO. : Des. 496,994 S  
APPLICATION NO. : 29/169599  
DATED : October 5, 2004  
INVENTOR(S) : Christopher M. Tague and Kris D. Eager

Page 4 of 4

It is certified that error appears in the above-identified patent and that said Letters Patent is hereby corrected as shown below:

Sheet 3, Figures 4, 5 and 6 - Delete all reference numerals and lead lines from Figs. 4, 5, and 6.



**FIG - 4**



**FIG - 6**



**FIG - 5**