

US00D496991S1

(12) **United States Design Patent**
Yang

(10) **Patent No.:** **US D496,991 S**

(45) **Date of Patent:** **** Oct. 5, 2004**

(54) **AIR CLEANER**

D437,038 S * 1/2001 Chuan D23/364

(75) **Inventor:** **Ching-Hsien Yang**, Keelung (TW)

* cited by examiner

(73) **Assignee:** **Team Plus Corporation**, Tortola (VG)

Primary Examiner—Robin V. Taylor

(**) **Term:** **14 Years**

(74) *Attorney, Agent, or Firm*—Pro-Techtor International Services

(21) **Appl. No.:** **29/188,696**

(57) **CLAIM**

(22) **Filed:** **Aug. 22, 2003**

The ornamental design for an air cleaner, as shown and described.

(51) **LOC (7) Cl.** **23-04**

DESCRIPTION

(52) **U.S. Cl.** **D23/355**

(58) **Field of Search** D23/356, 355,
D23/364, 365; 55/356, 472; 392/403, 405,
394

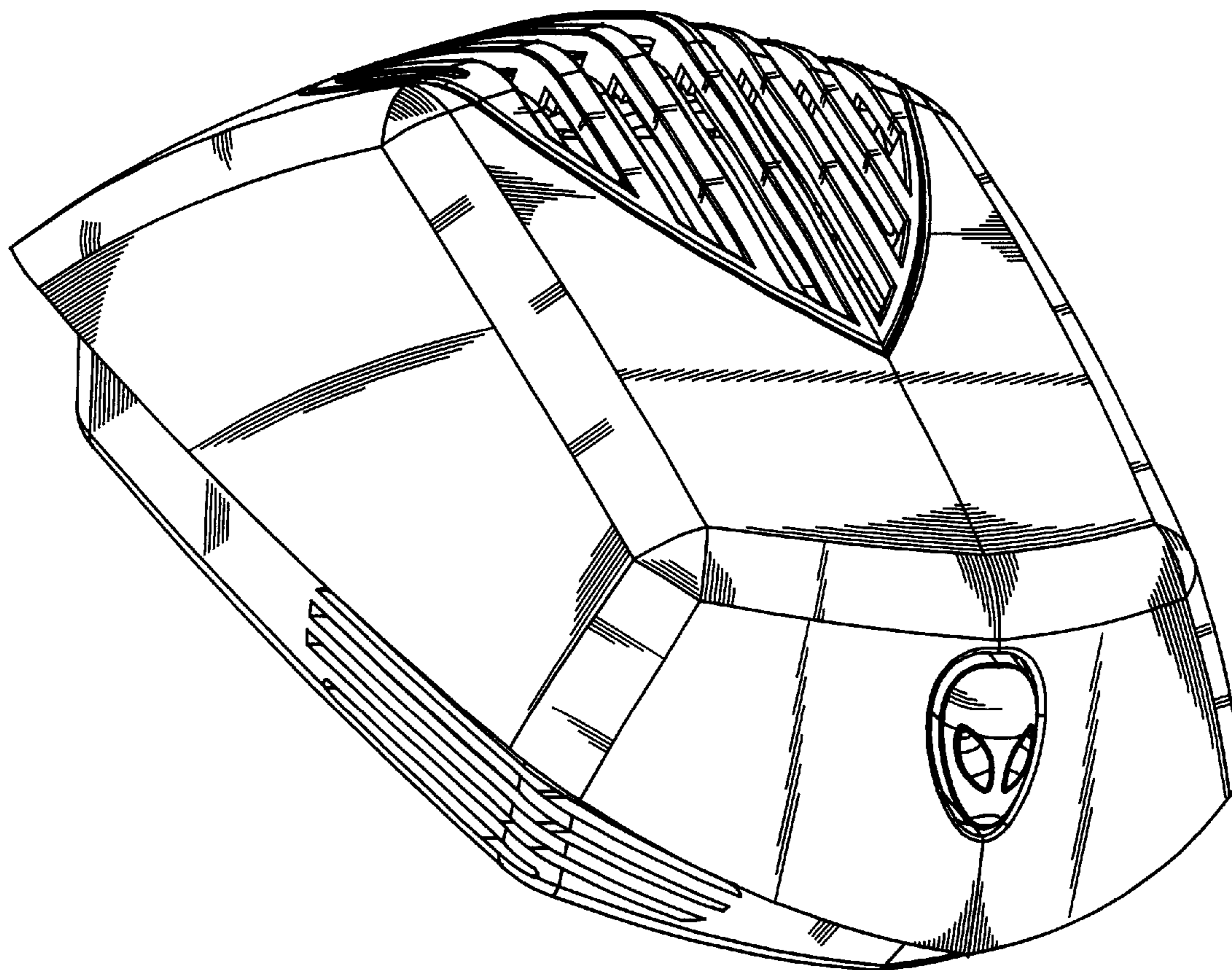
FIG. 1 is a front view thereof;
FIG. 2 is a rear view thereof;
FIG. 3 is a left side view thereof;
FIG. 4 is a right side view thereof;
FIG. 5 is a top plan view thereof;
FIG. 6 is a bottom plan view thereof; and,
FIG. 7 is an elevation view of air cleaner showing my new design.

(56) **References Cited**

U.S. PATENT DOCUMENTS

- D399,943 S * 10/1998 Ko D23/364
- D400,661 S * 11/1998 Ko D23/364
- D426,627 S * 6/2000 Cho D23/355

1 Claim, 7 Drawing Sheets



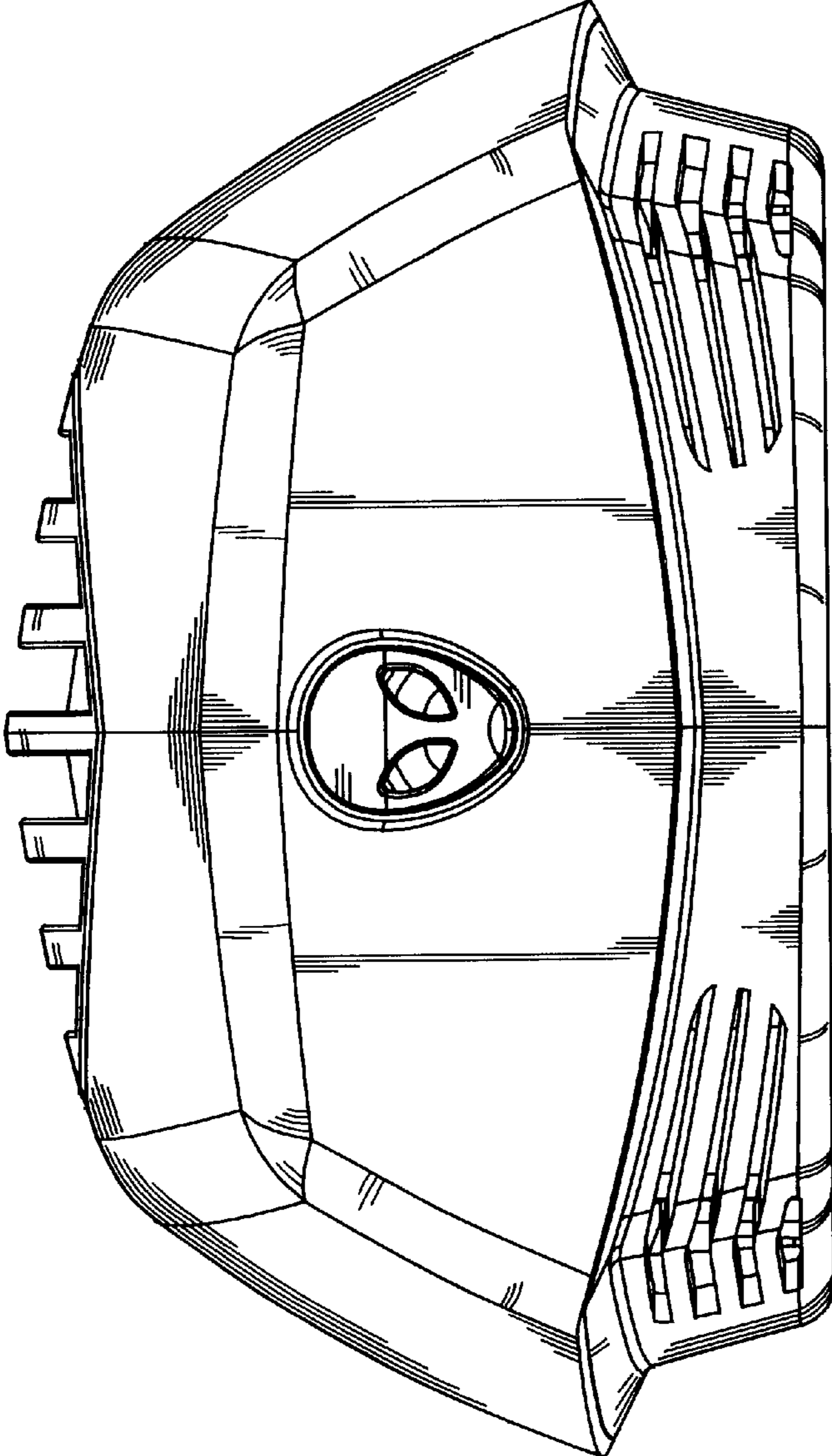


Fig. 1

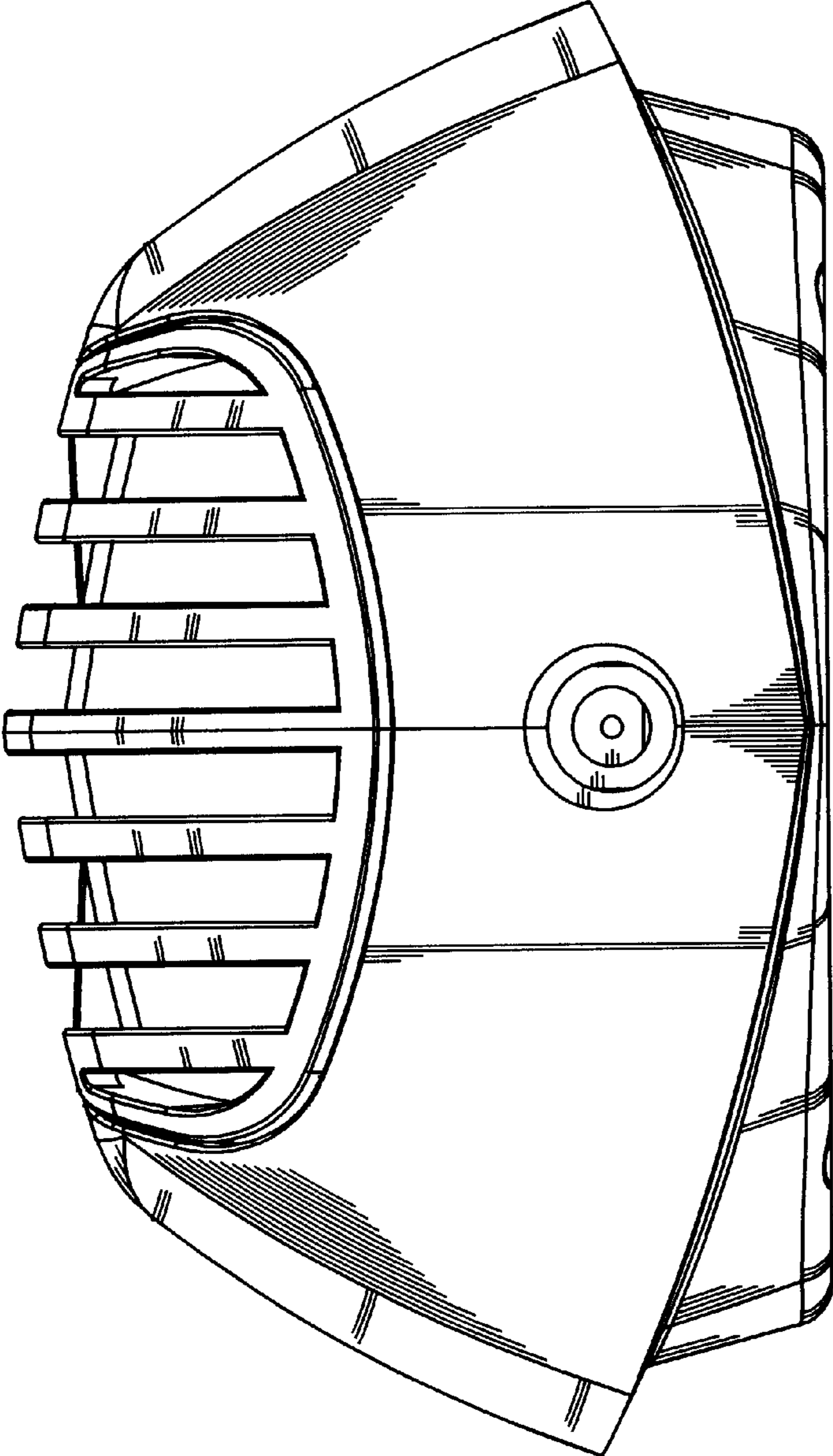


Fig. 2

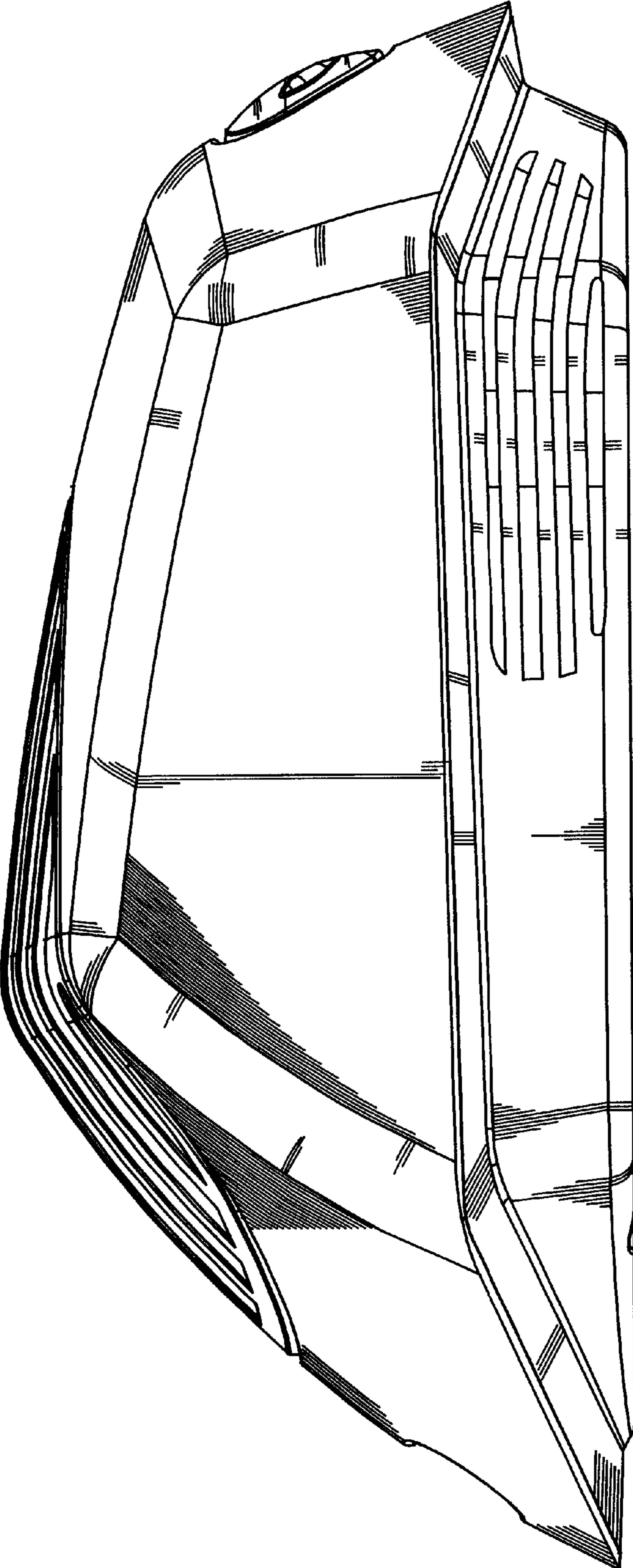


Fig. 3

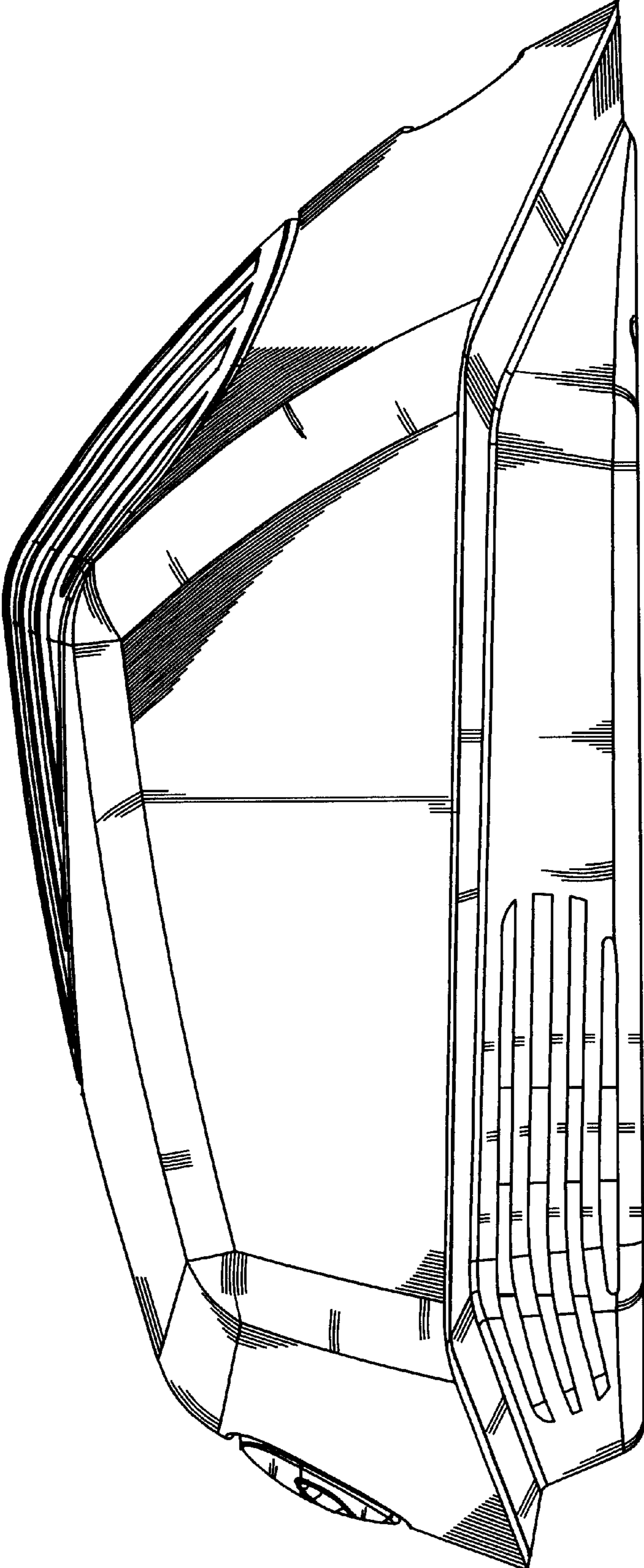


Fig. 4

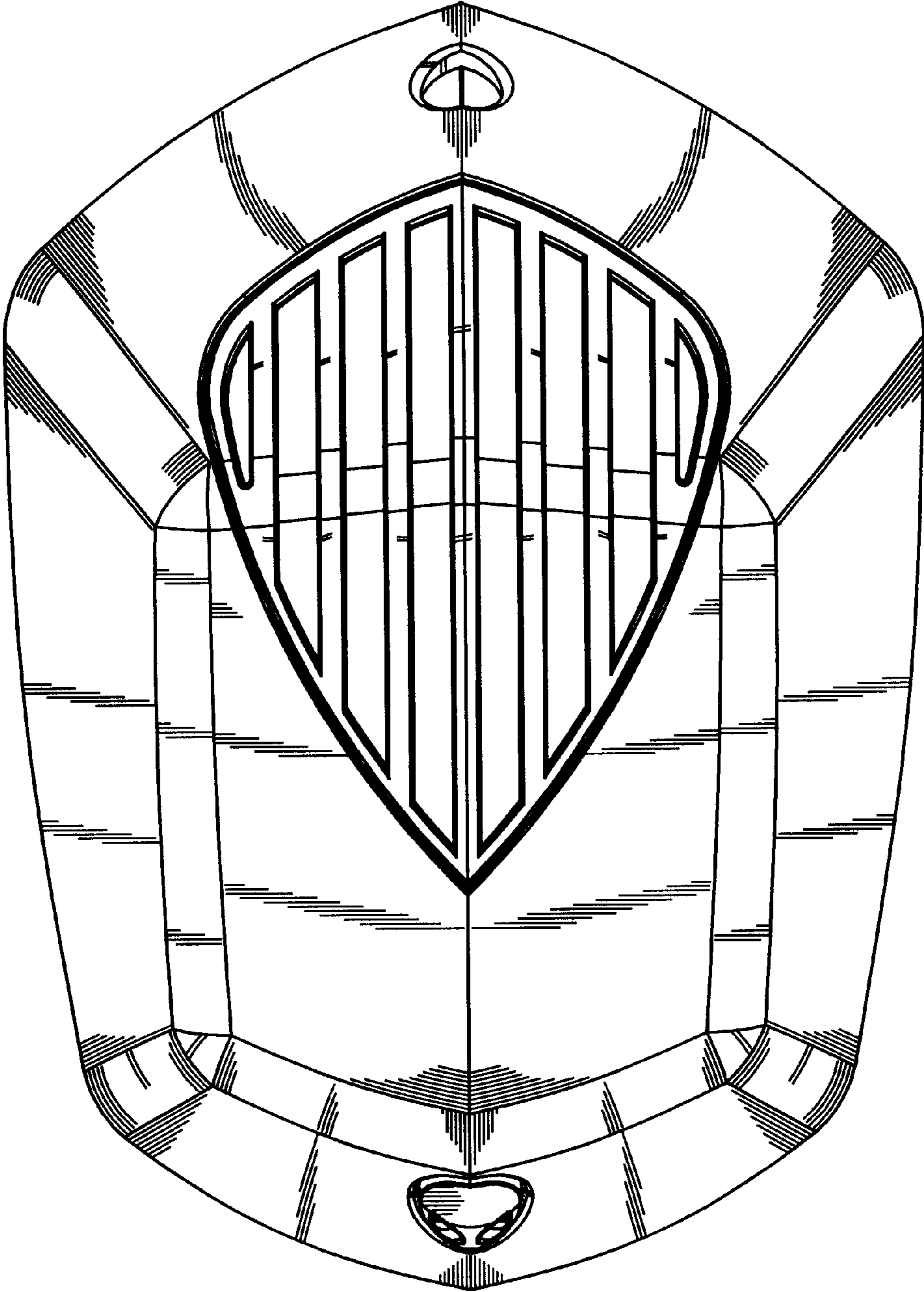


Fig. 5

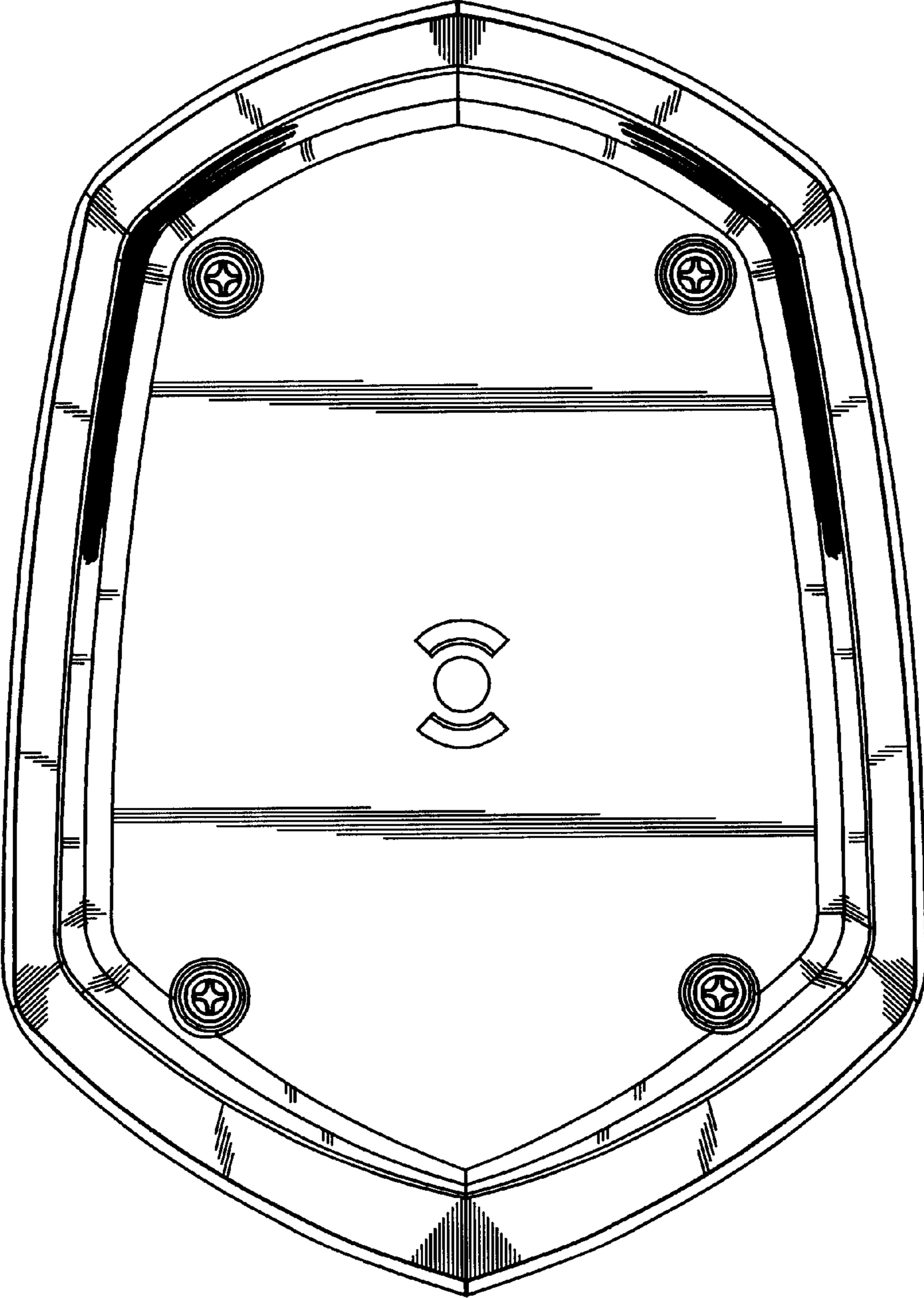


Fig. 6

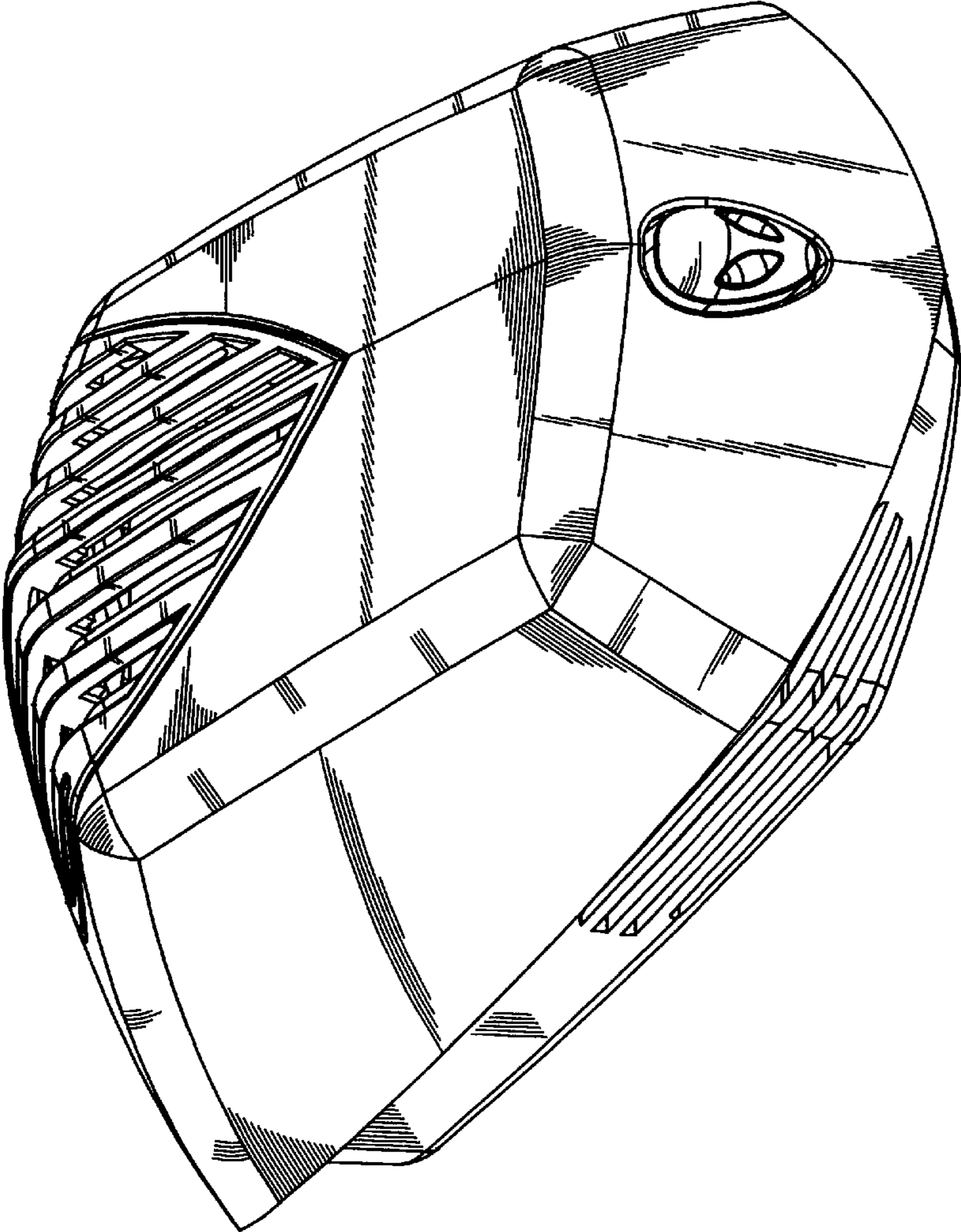


Fig. 7