



US00D496986S1

(12) **United States Design Patent**
King

(10) **Patent No.:** **US D496,986 S**

(45) **Date of Patent:** **** Oct. 5, 2004**

(54) **CANISTER HOUSING**

(74) *Attorney, Agent, or Firm*—Jacobson & Johnson

(76) **Inventor:** **Joseph King**, 385 Highcroft La.,
Wayzata, MN (US) 55391

(57) **CLAIM**

The ornamental design for a canister housing, as shown.

(**) **Term:** **14 Years**

DESCRIPTION

(21) **Appl. No.:** **29/190,114**

FIG. 1 is a perspective view of a canister housing, showing my design with a removable cover secured thereto;

(22) **Filed:** **Sep. 15, 2003**

FIG. 2 is a right side view of the canister housing of FIG. 1 with the cover removed;

(51) **LOC (7) Cl.** **23-01**

FIG. 3 is a left side view of the canister housing of FIG. 1 with the cover removed;

(52) **U.S. Cl.** **D23/209**

FIG. 4 is a top view of the canister housing of FIG. 1;

(58) **Field of Search** D23/207, 209;
210/304, 454, 282, 244

FIG. 5 is a bottom view of the of the canister housing of FIG. 1;

(56) **References Cited**

U.S. PATENT DOCUMENTS

FIG. 6 is a front view of the canister housing of FIG. 1 with the cover removed; and,

D205,001 S * 6/1966 Englesberg D23/209

FIG. 7 is a back view of the canister housing of FIG. 1 with the cover removed.

D441,421 S * 5/2001 Aldred et al. D23/209

D444,536 S * 7/2001 Farley D23/209

The dashed lines indicating threads are not part of the design and are included for illustrating the use of the invention.

* cited by examiner

Primary Examiner—Robin V. Taylor

1 Claim, 3 Drawing Sheets

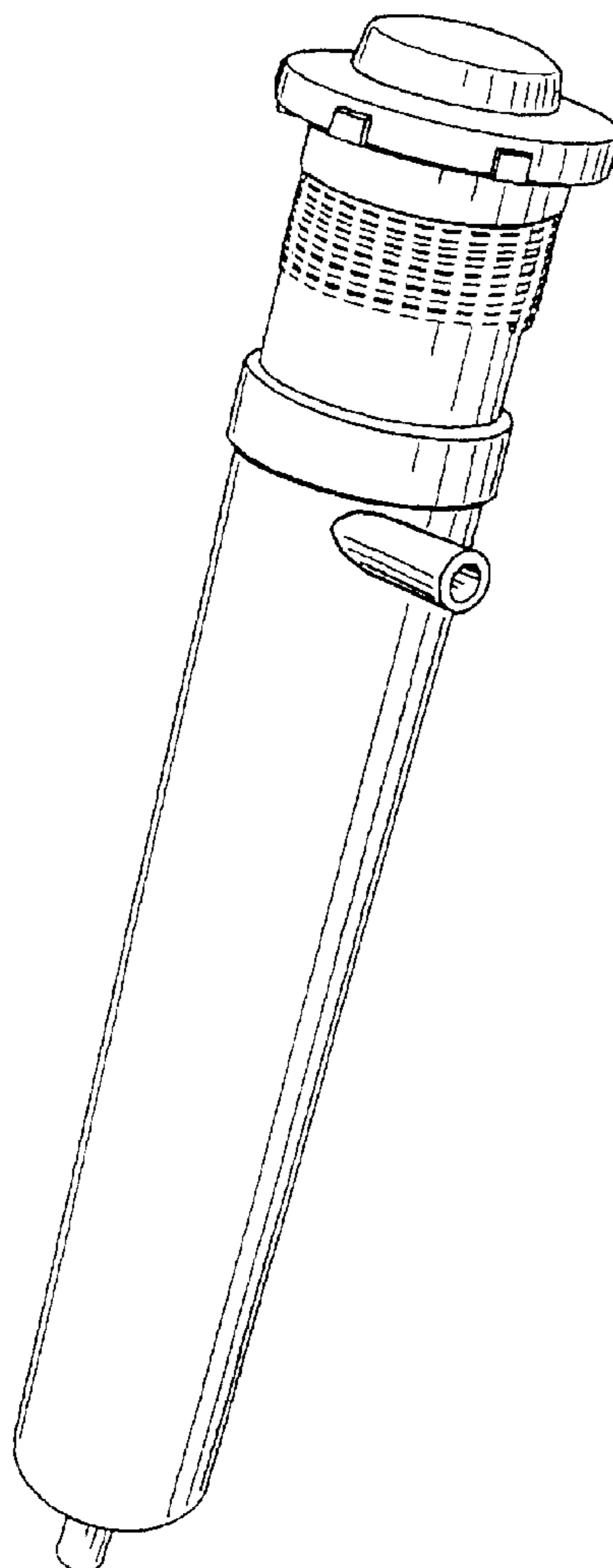


FIG. 1

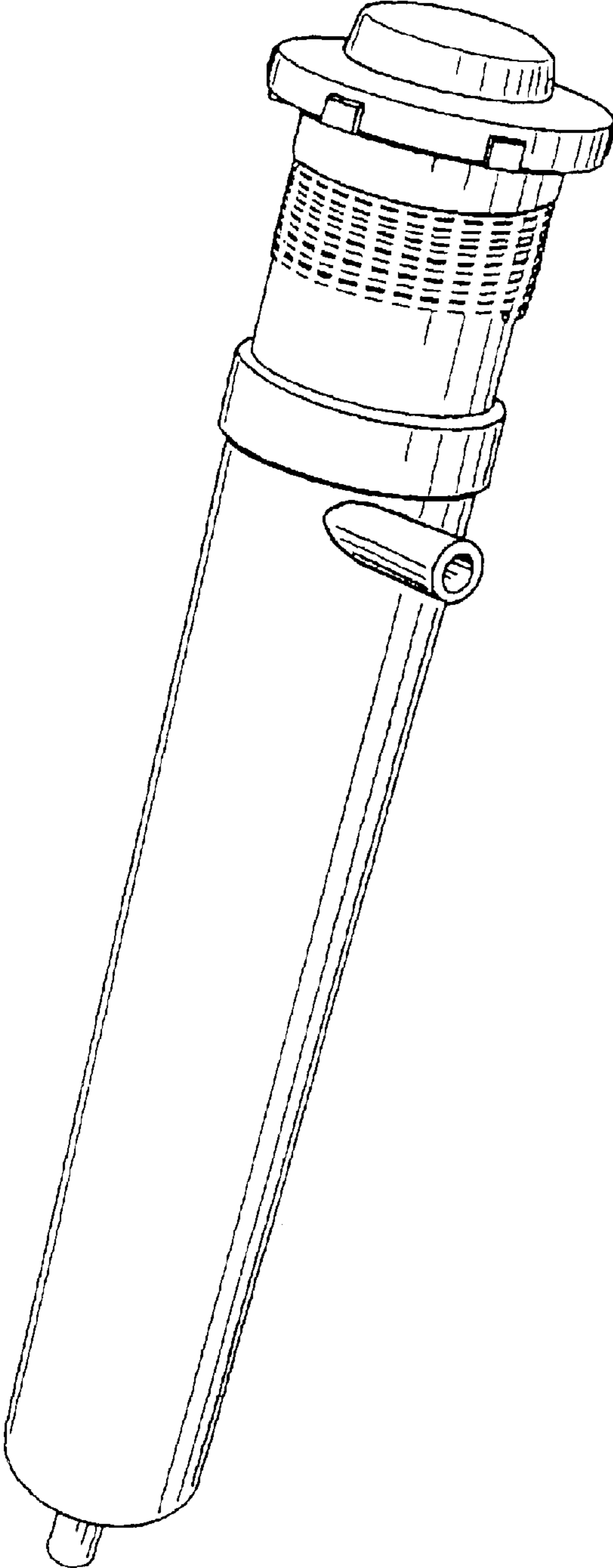


FIG. 2

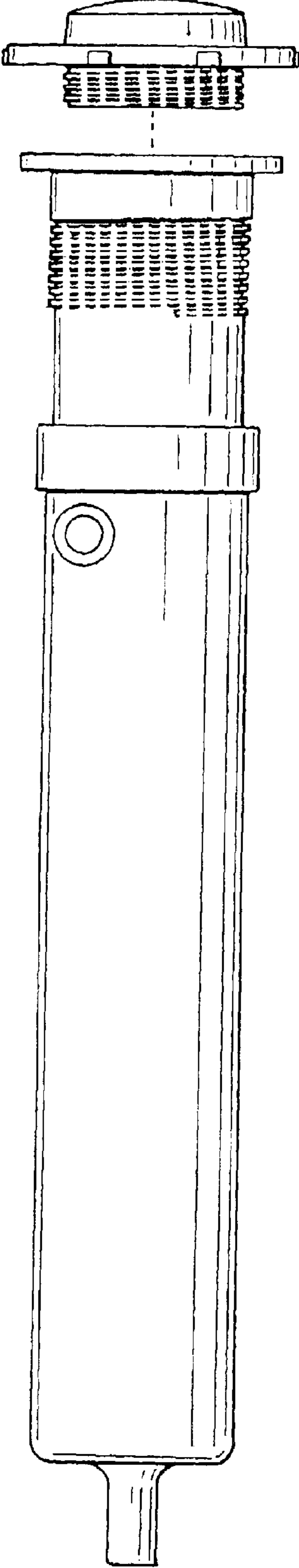


FIG. 3

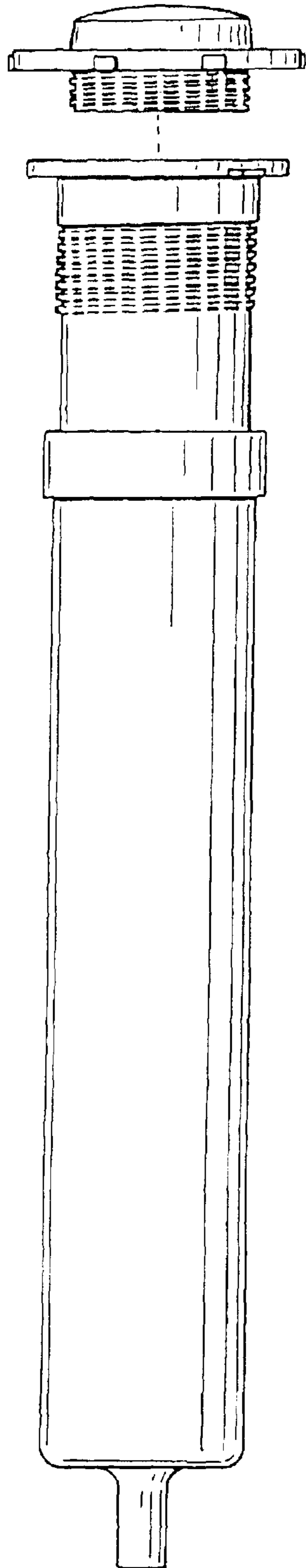


FIG. 4

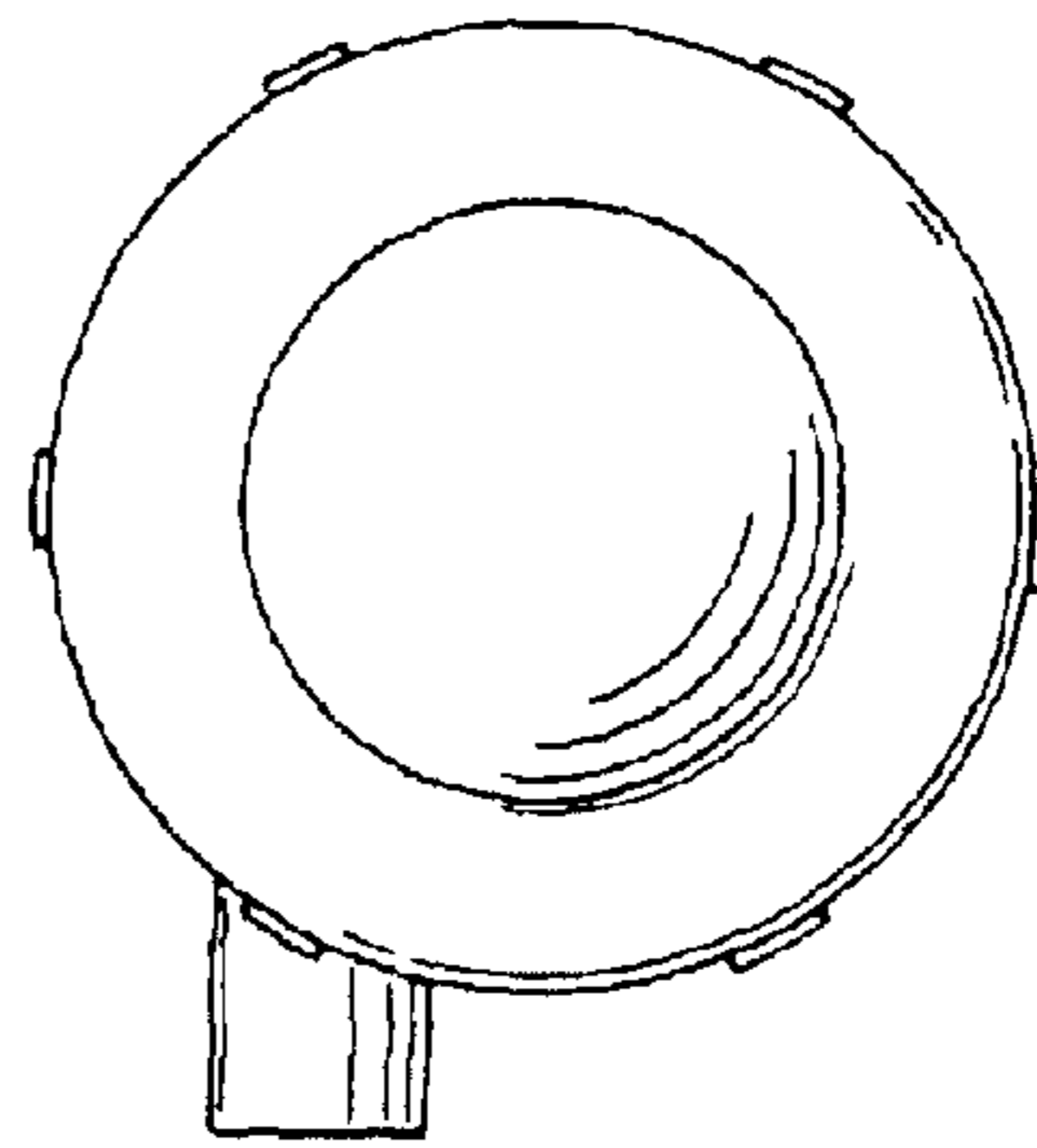


FIG. 5

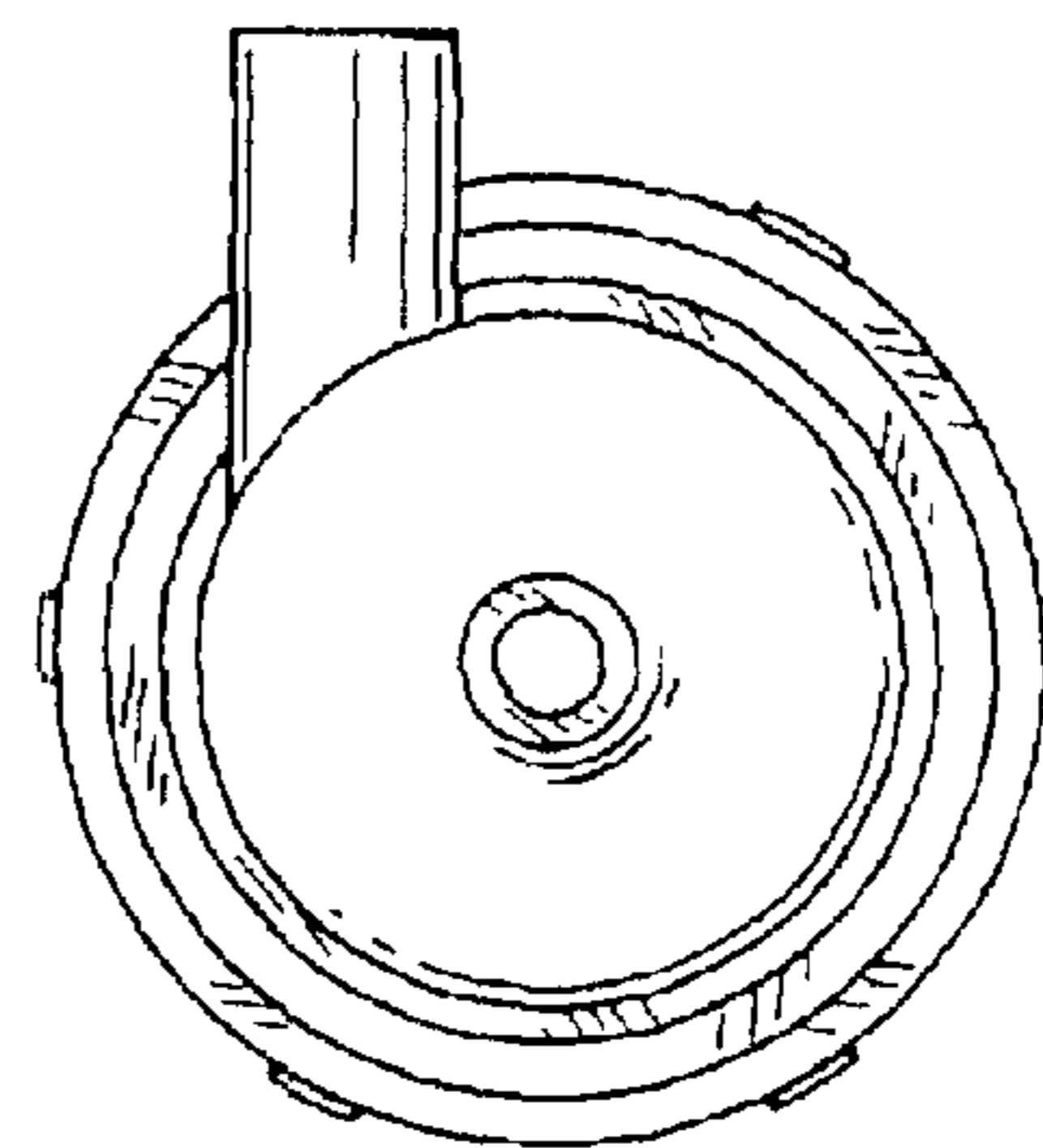


FIG. 6

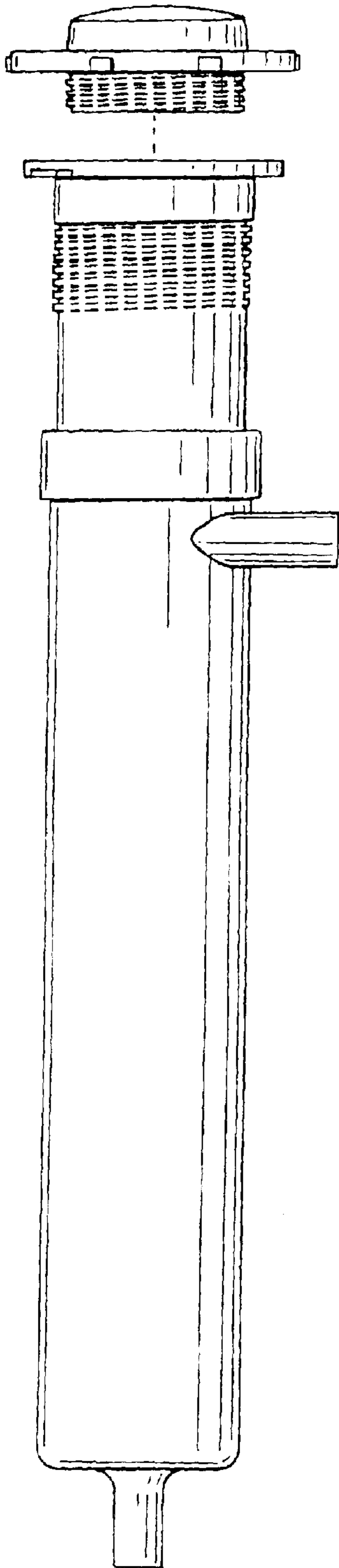


FIG. 7

