



US00D496980S1

(12) **United States Design Patent**  
**Tyson**

(10) **Patent No.:** **US D496,980 S**

(45) **Date of Patent:** **\*\* Oct. 5, 2004**

(54) **LIGHTED BAIT CONTAINER**

D462,737 S \* 9/2002 Lipari ..... D22/136

(76) **Inventor:** **Jeremy D. Tyson**, 274 N. Sportsman Rd., Loganton, PA (US) 17747

\* cited by examiner

*Primary Examiner*—Catherine R. Oliver

(74) *Attorney, Agent, or Firm*—Dale J. Ream

(\*\*) **Term:** **14 Years**

(57) **CLAIM**

(21) **Appl. No.:** **29/187,198**

The ornamental design for a lighted bait container, as shown and described.

(22) **Filed:** **Jul. 29, 2003**

(51) **LOC (7) Cl.** ..... **22-05**

**DESCRIPTION**

(52) **U.S. Cl.** ..... **D22/136**

FIG. 1 is a perspective view of the lighted bait container according to my invention;

(58) **Field of Search** ..... D22/134-136,

D22/199; 43/21.2, 17.5, 54.1, 55-57; 206/315.11; 119/223

FIG. 2 is a left side view thereof;

FIG. 3 is a right side view thereof;

FIG. 4 is a front view thereof;

FIG. 5 is a rear view thereof;

FIG. 6 is a top view thereof;

FIG. 7 is a bottom view thereof; and,

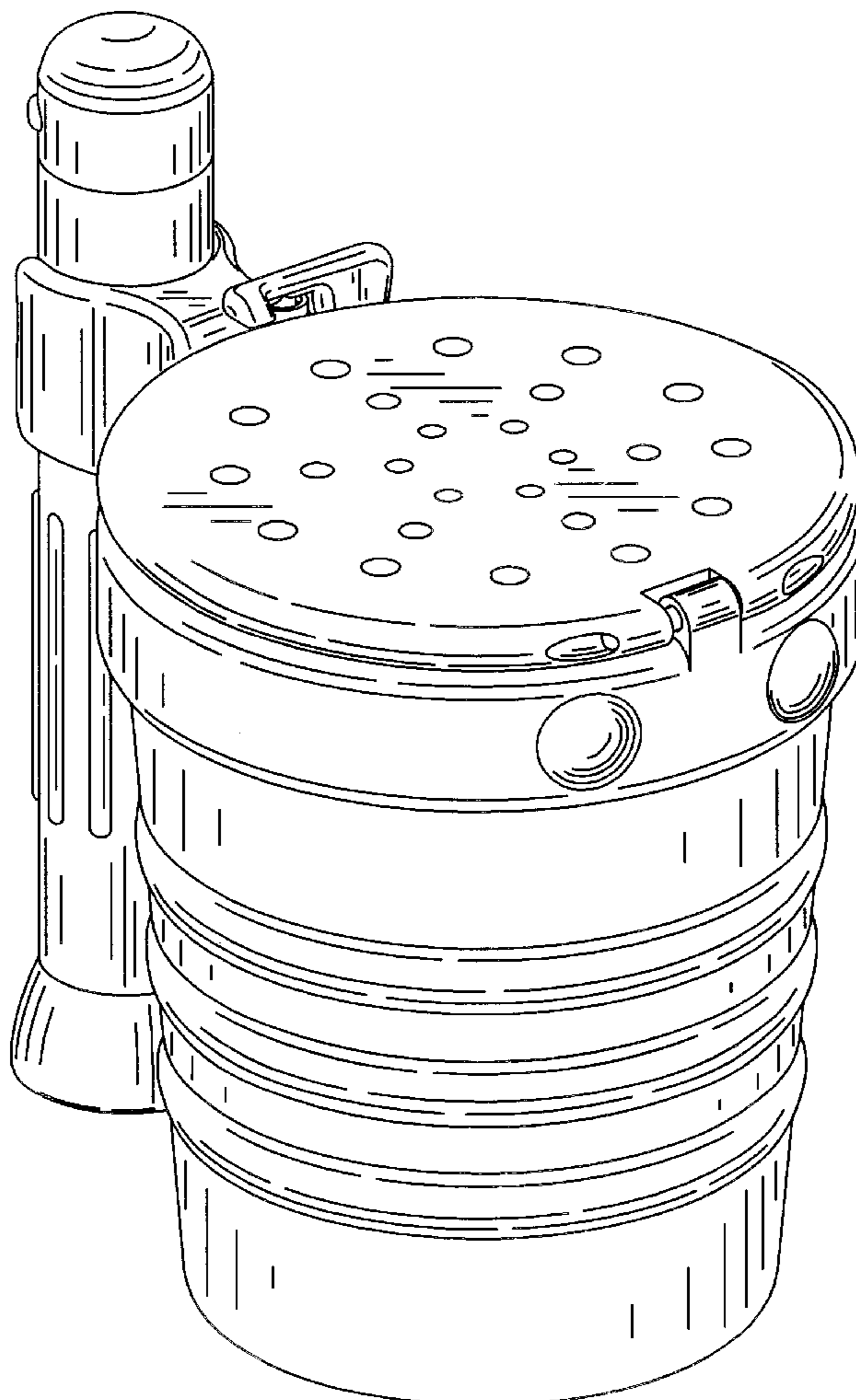
FIG. 8 is a front view with separated components.

(56) **References Cited**

**U.S. PATENT DOCUMENTS**

2,697,296 A	*	12/1954	Steele	.....	43/55
D176,052 S	*	11/1955	Wile	.....	D3/904
D186,828 S	*	12/1959	Cornett	.....	D3/904
D425,600 S	*	5/2000	Pas et al.	.....	D22/136

**1 Claim, 8 Drawing Sheets**



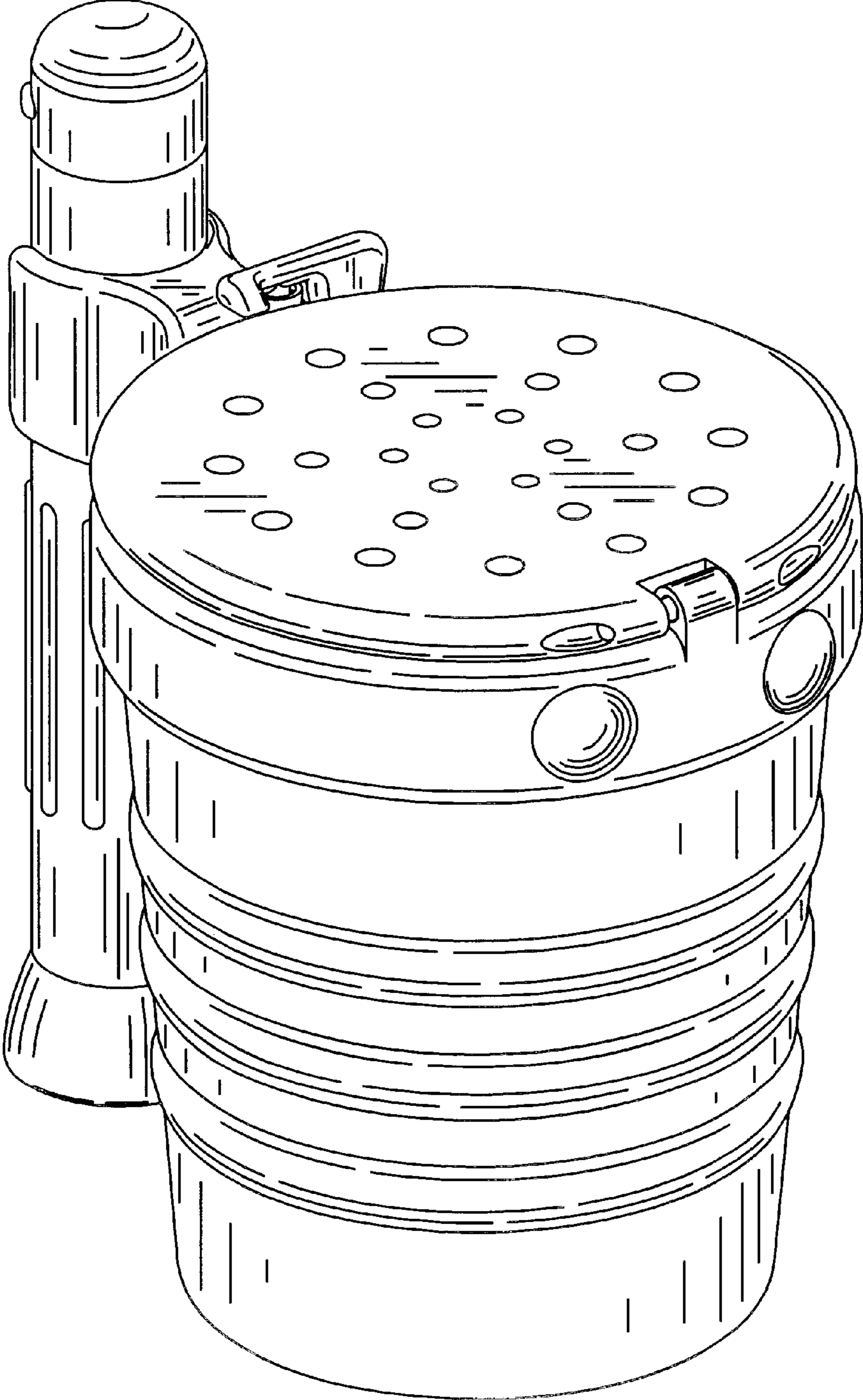


FIG. 1

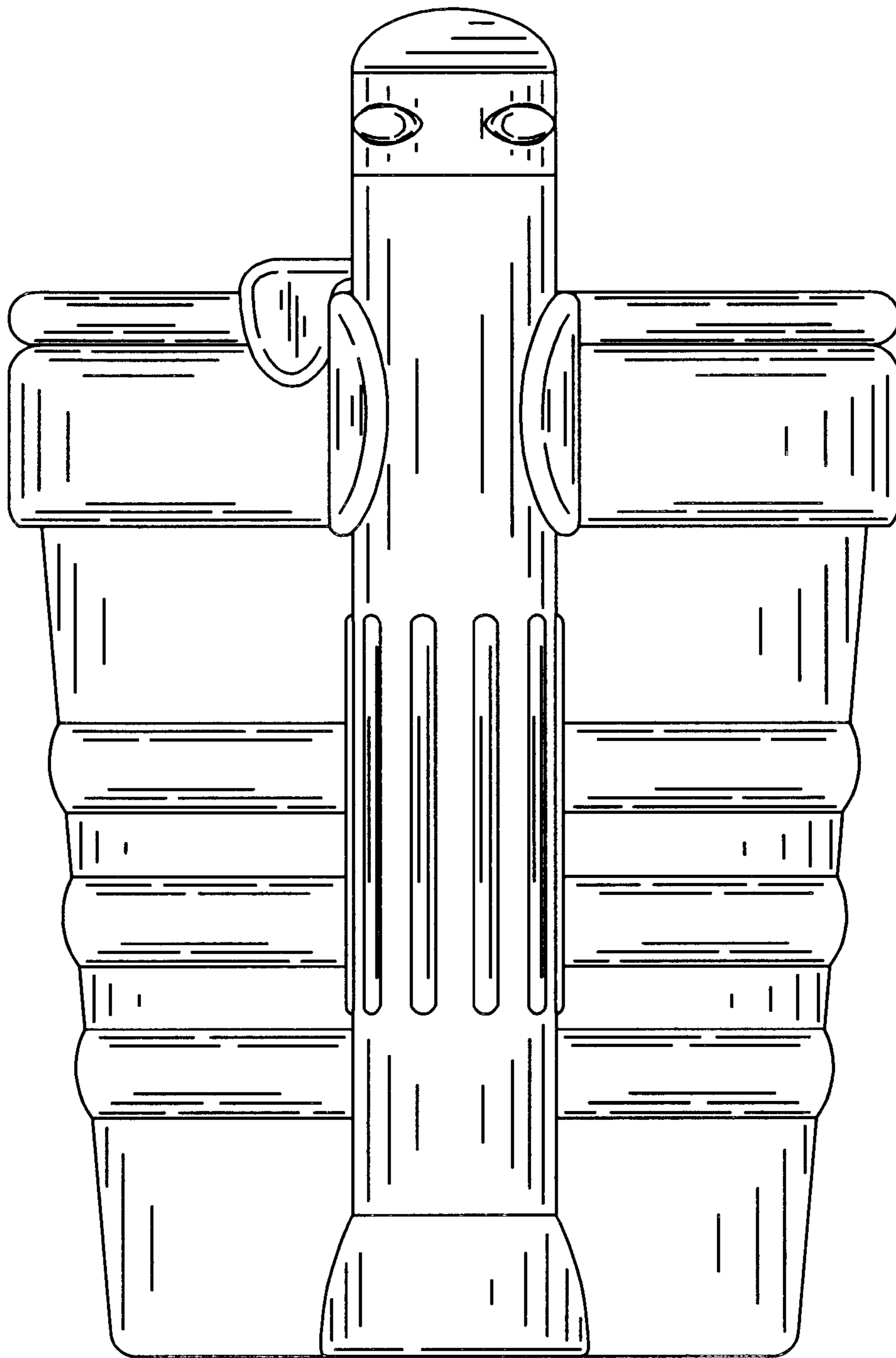


FIG. 2

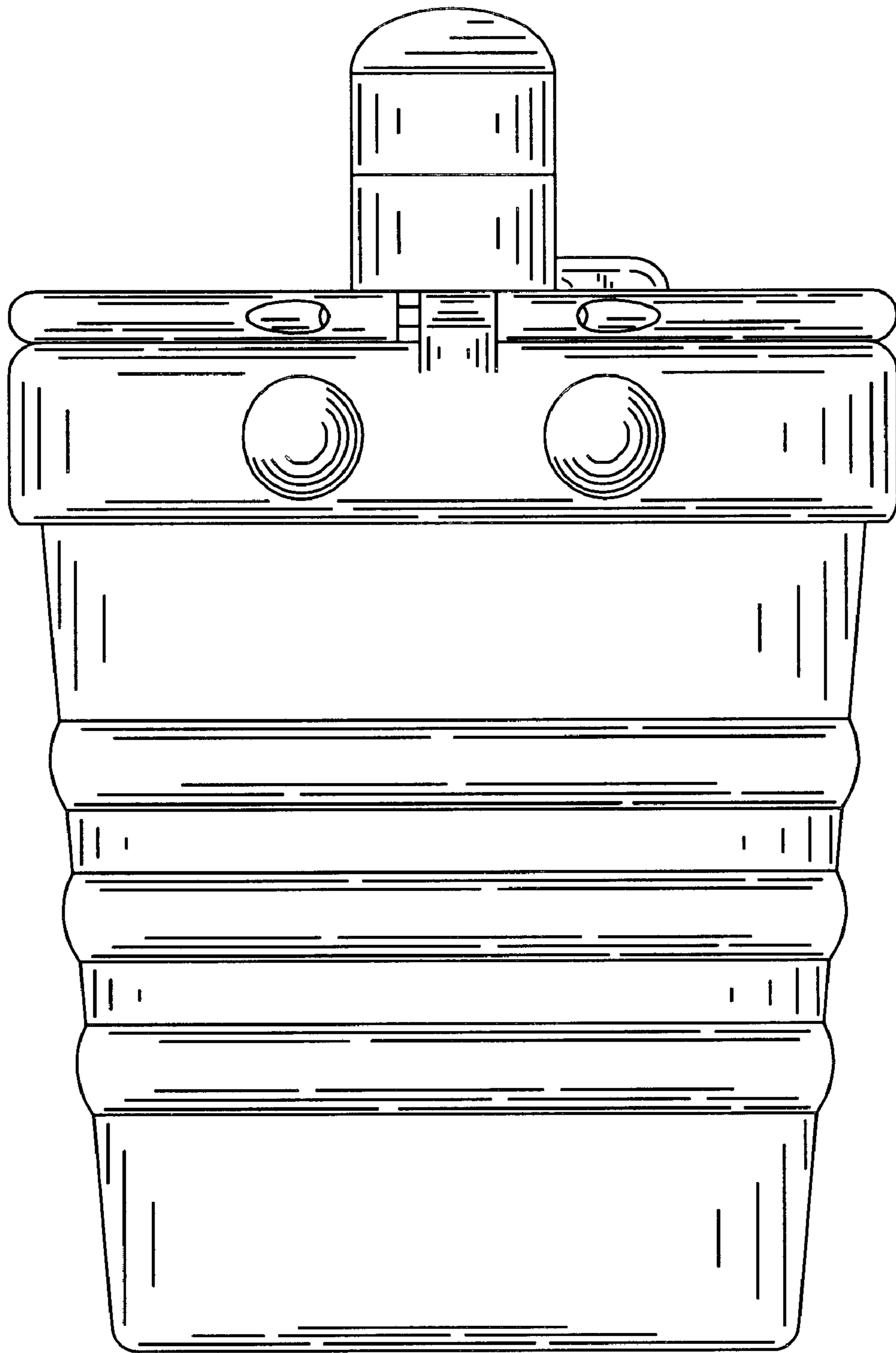


FIG. 3

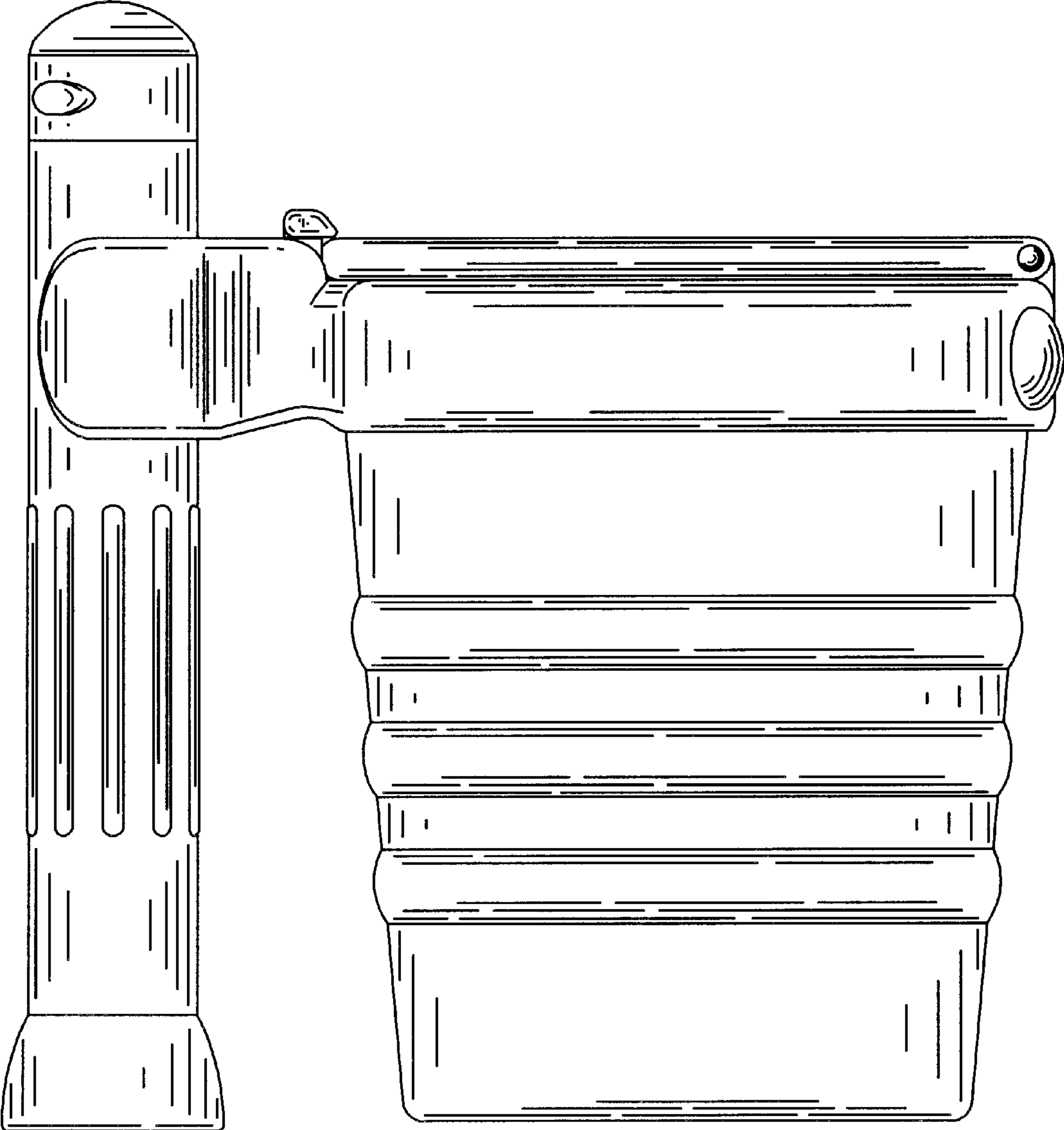


FIG. 4

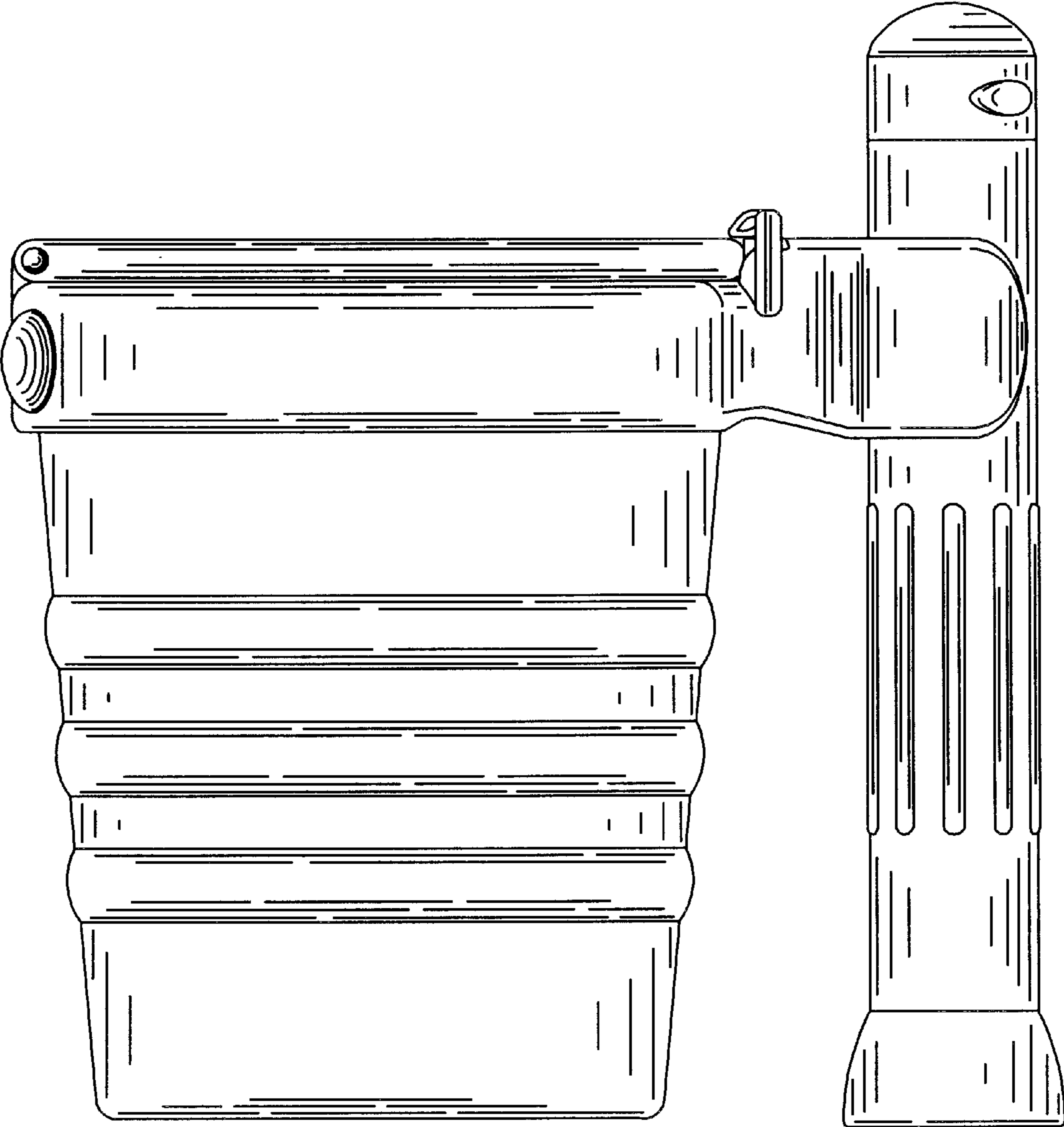


FIG. 5

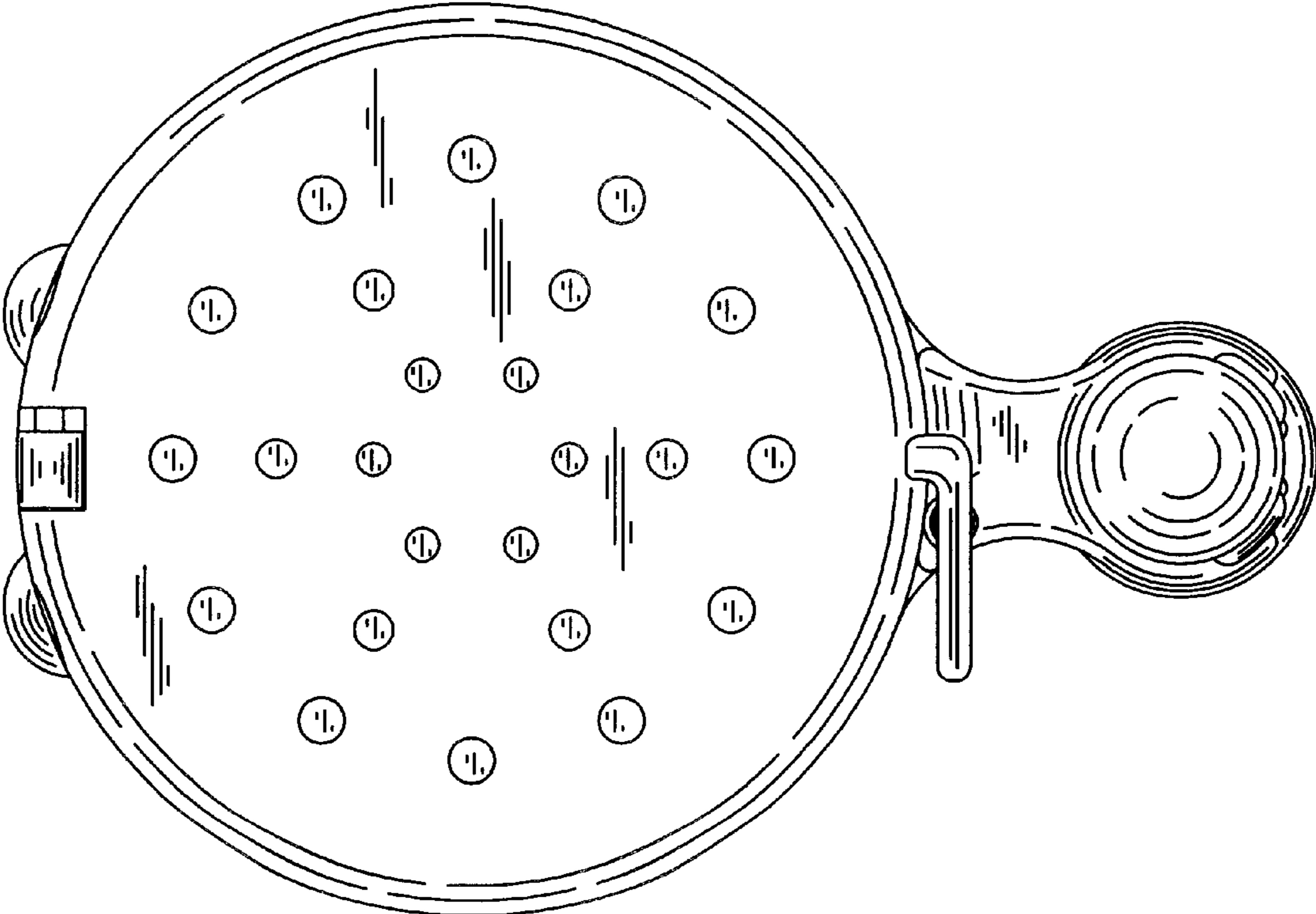


FIG. 6

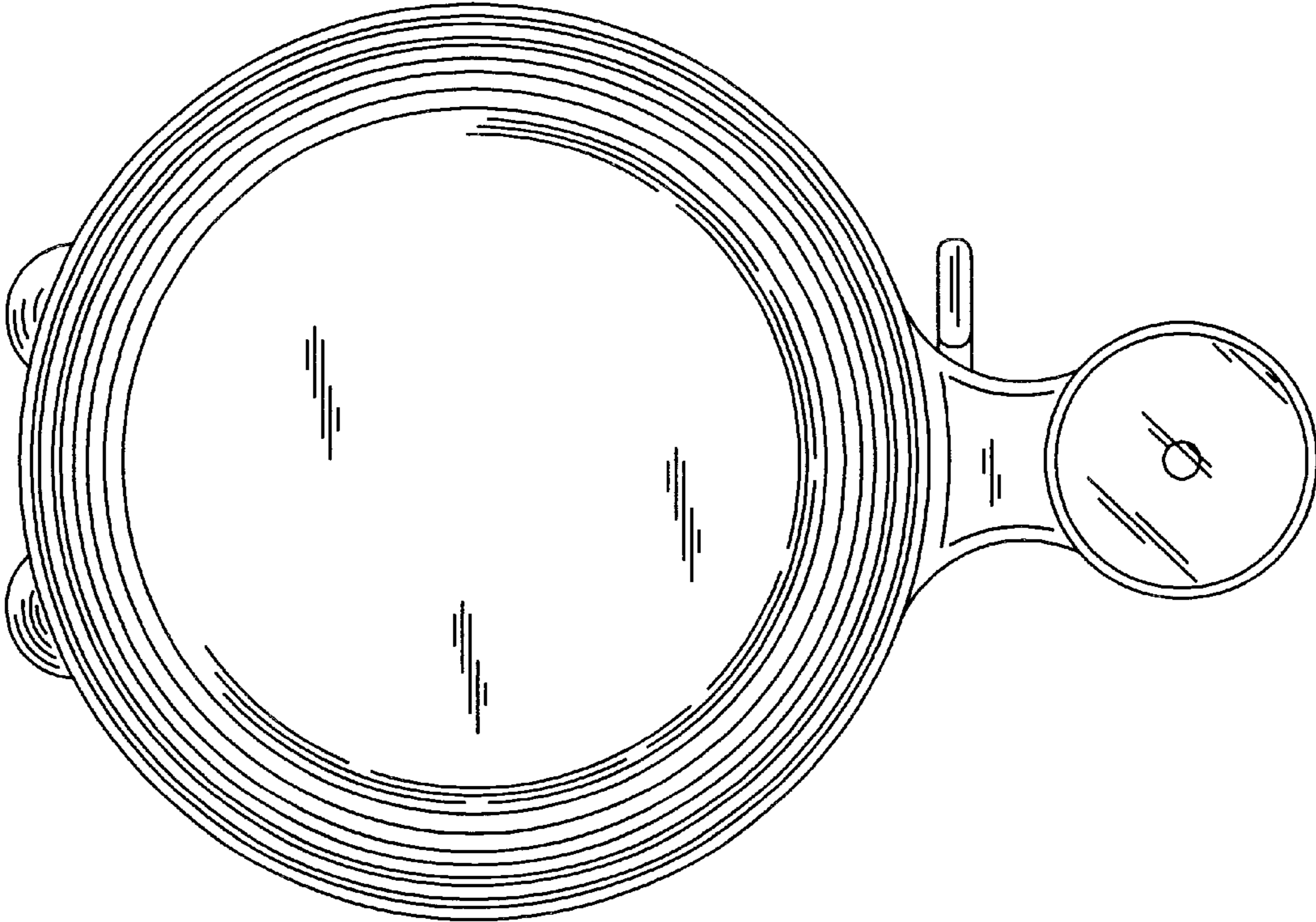


FIG. 7



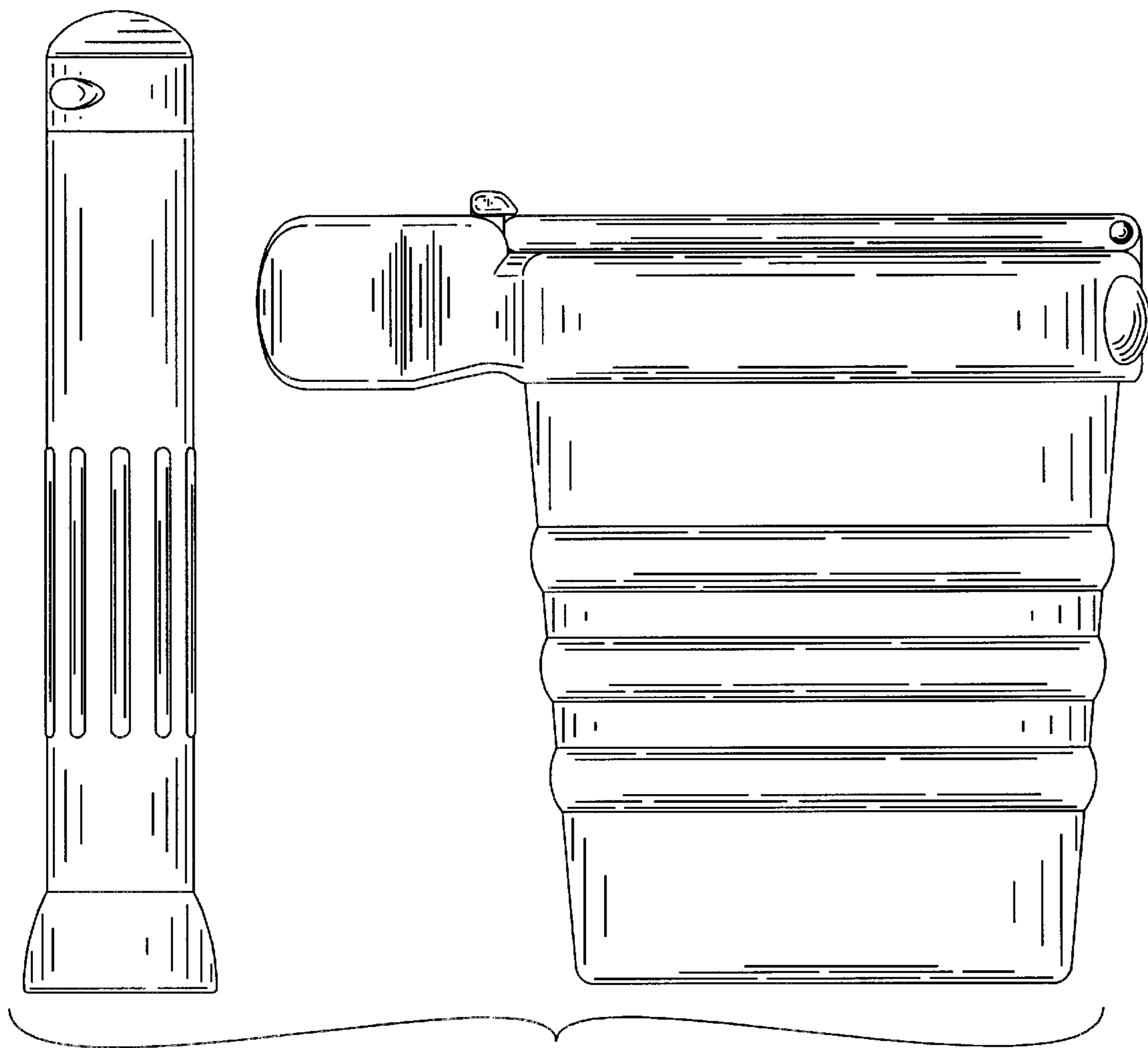


FIG. 8