

US00D496976S1

(12) **United States Design Patent**
Peterson

(10) **Patent No.:** **US D496,976 S**
(45) **Date of Patent:** **** Oct. 5, 2004**

(54) **INFLATABLE TOWABLE VEHICLE**

6,648,707 B1 * 11/2003 Peterson 441/66

(75) **Inventor:** **Leroy L. Peterson, Omaha, NE (US)**

(73) **Assignee:** **Sportsstuff Inc., Omaha, NE (US)**

(**) **Term:** **14 Years**

(21) **Appl. No.:** **29/197,552**

(22) **Filed:** **Jan. 16, 2004**

(51) **LOC (7) Cl. 21-02**

(52) **U.S. Cl. D21/770; D21/803**

(58) **Field of Search D21/769, 770,**
D21/803, 810, 809, 801; D12/316; 441/35,
40-44, 65, 66, 129-132; 114/345, 346,
253; 472/128, 129

(56) **References Cited**

U.S. PATENT DOCUMENTS

4,894,033	A	*	1/1990	Chang	441/40
5,564,357	A	*	10/1996	Peterson	114/345
D393,038	S	*	3/1998	Peterson	D21/803
5,899,782	A	*	5/1999	Martin	441/66
D429,787	S	*	8/2000	Peterson	D21/803
6,247,984	B1	*	6/2001	Hatcher	441/66
D476,712	S	*	7/2003	Peterson	D21/803

OTHER PUBLICATIONS

Ski Limited, 2003, p. 25, water towables, [retrieved on Apr. 20, 2004]. Retrieved from internet using Google Advanced cAtalog Search,<URL:www.skilimited.com..*

* cited by examiner

Primary Examiner—Lucy Lieberman

(74) *Attorney, Agent, or Firm*—Sturm & Fix LLP

(57) **CLAIM**

The ornamental design for an inflatable towable vehicle, as shown and described.

DESCRIPTION

FIG. 1 is a perspective view of the inflatable towable vehicle showing my new design;

FIG. 2 is a right side elevational view thereof;

FIG. 3 is a left side elevational view thereof;

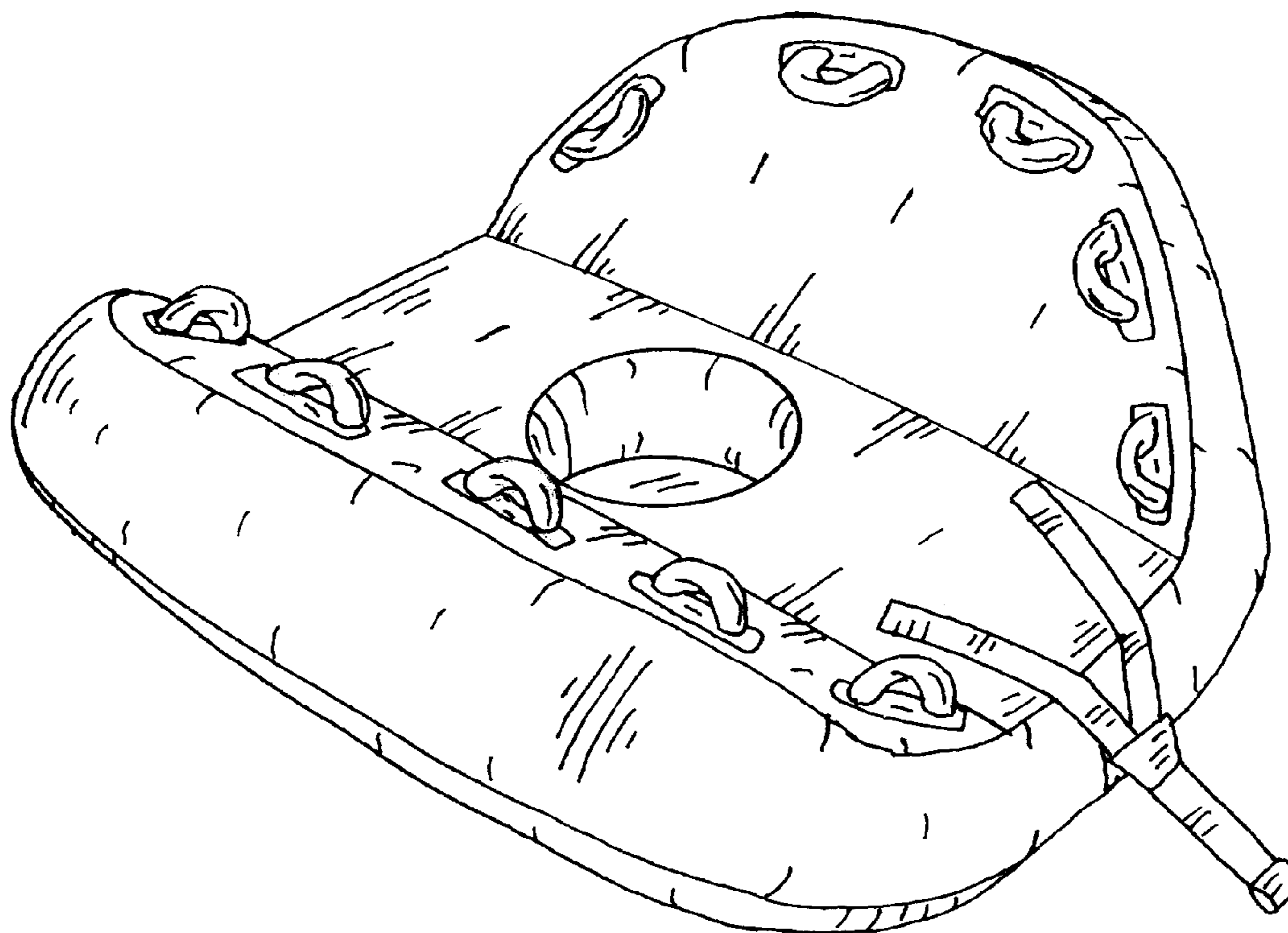
FIG. 4 is a front elevational view thereof;

FIG. 5 is a rear elevational view thereof;

FIG. 6 is a top plan view thereof; and,

FIG. 7 is a bottom plan view thereof.

1 Claim, 3 Drawing Sheets



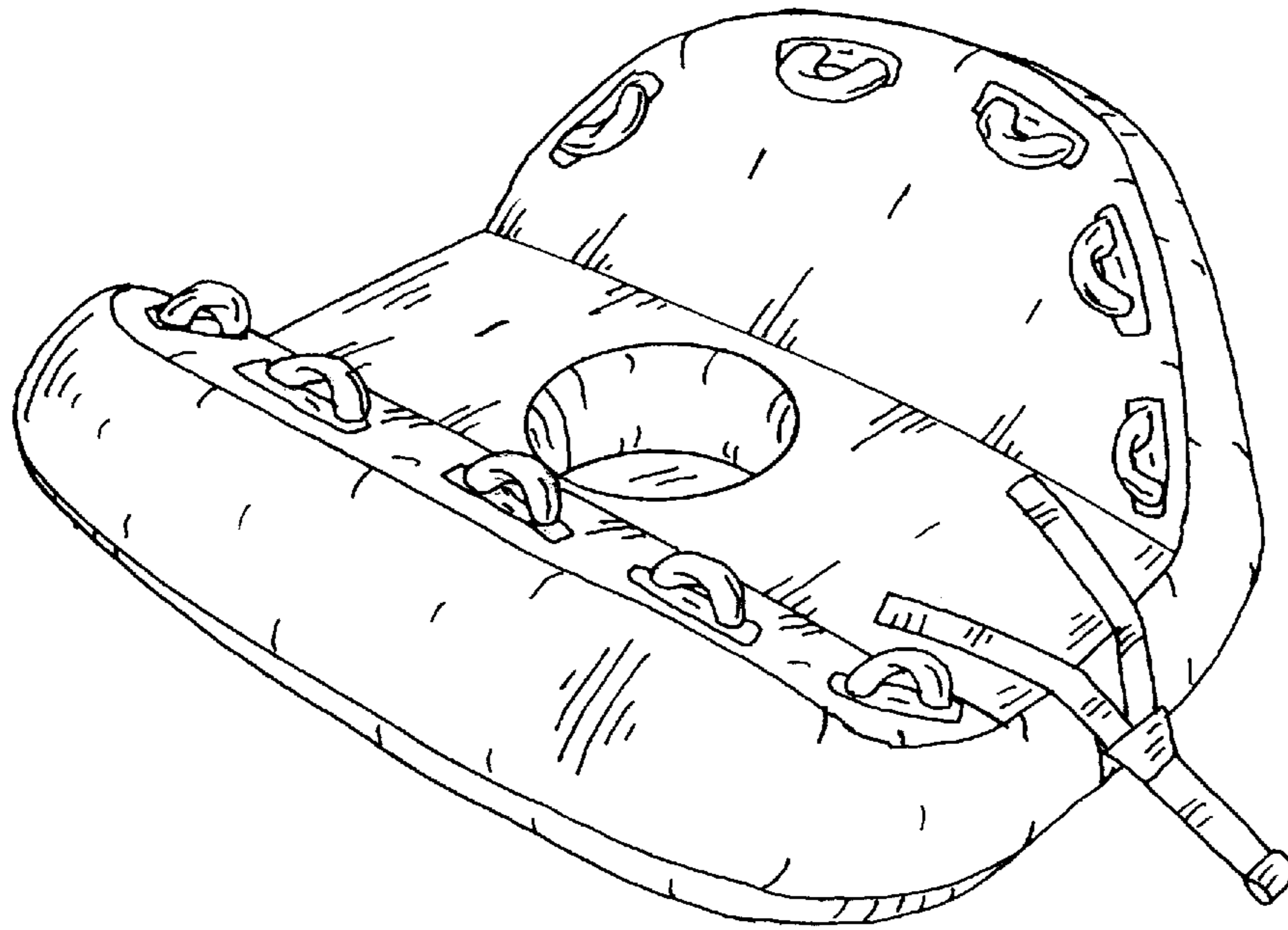


Fig. 1

Fig. 2

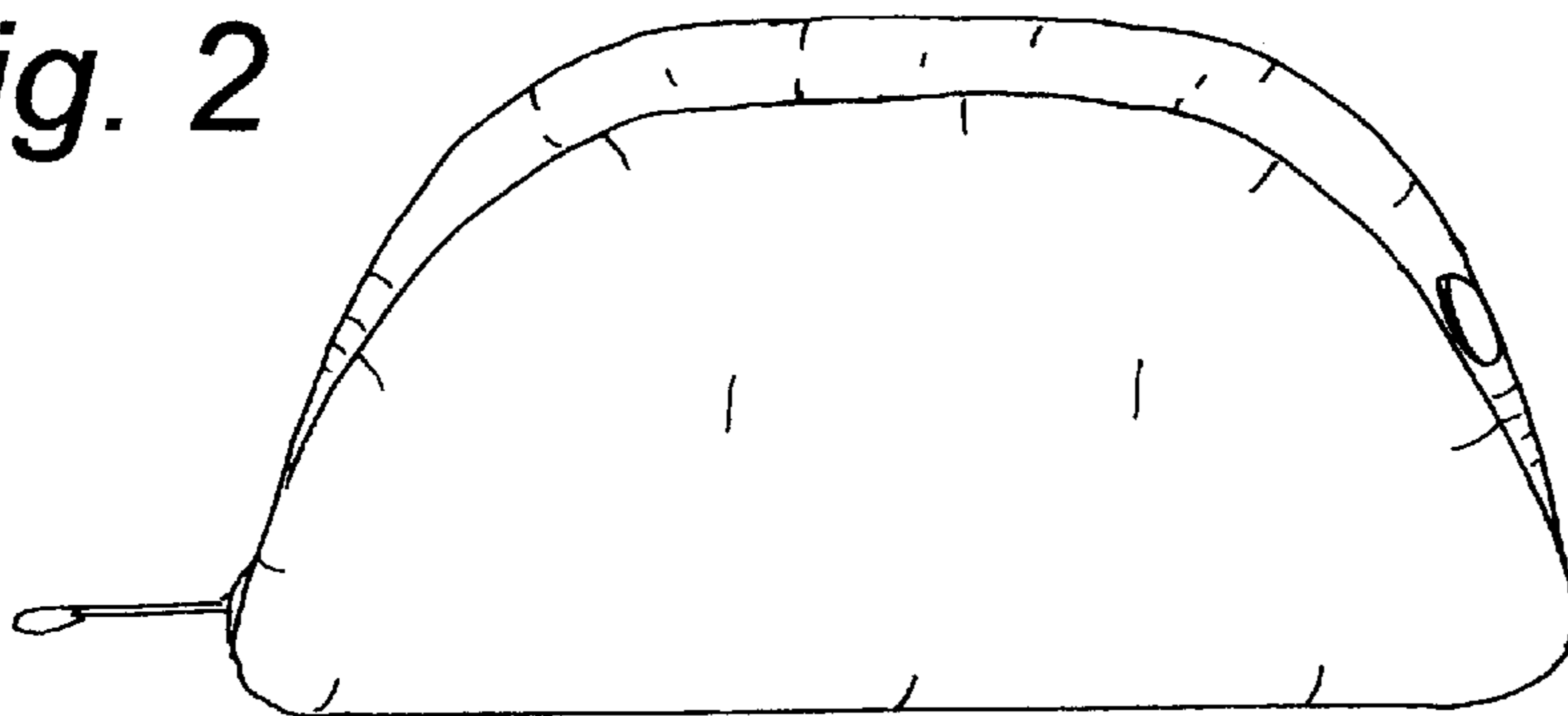
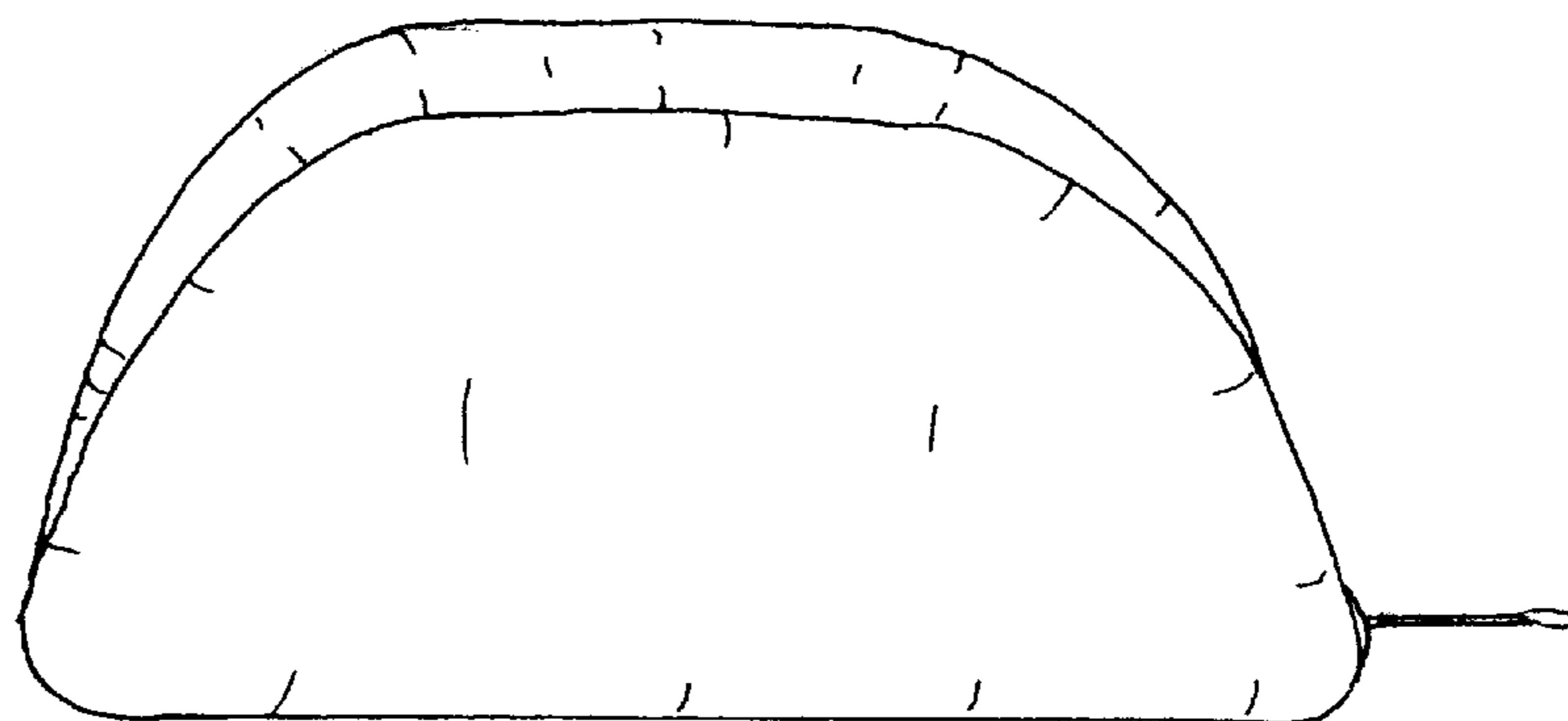


Fig. 3



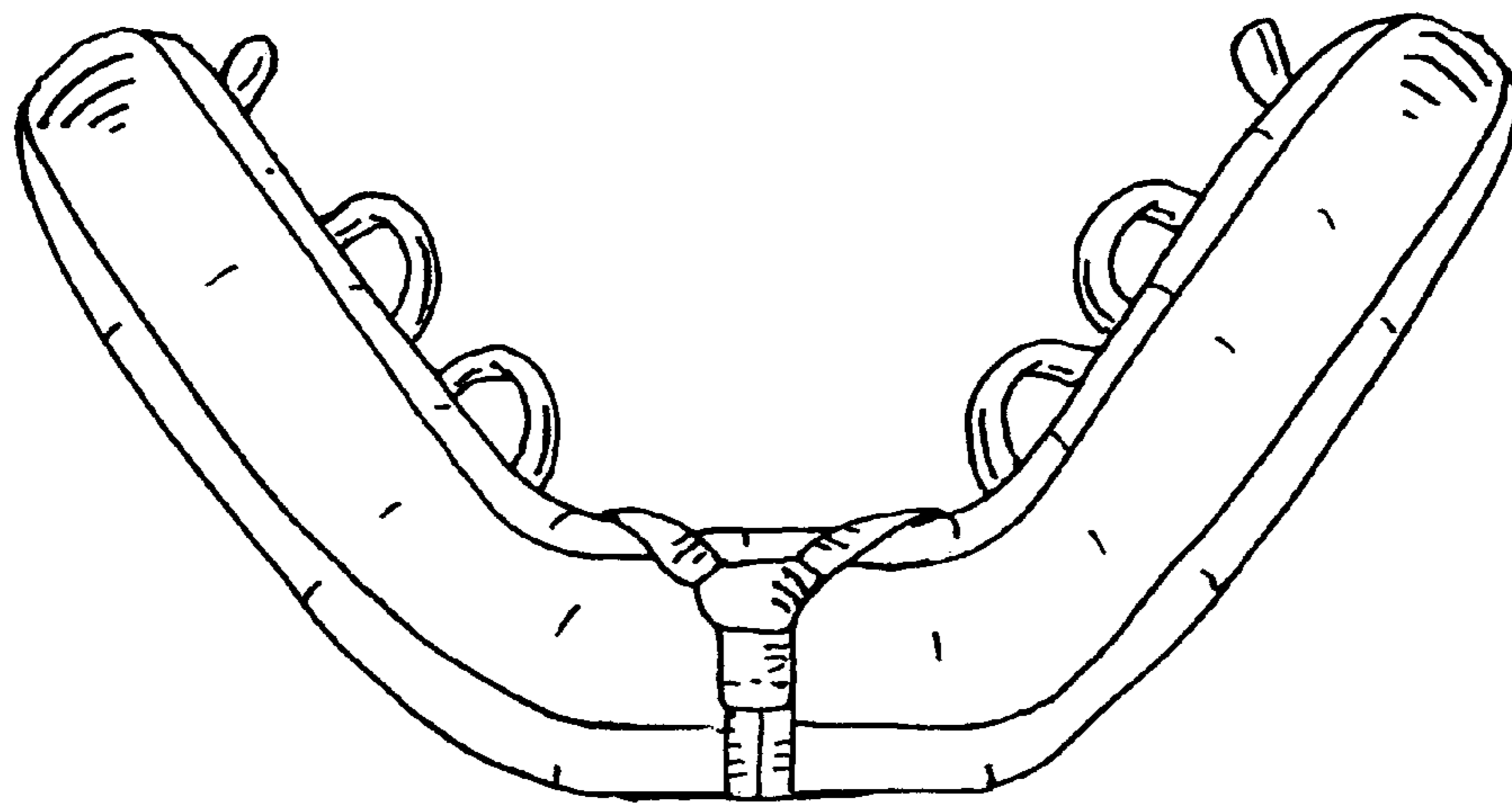


Fig. 4

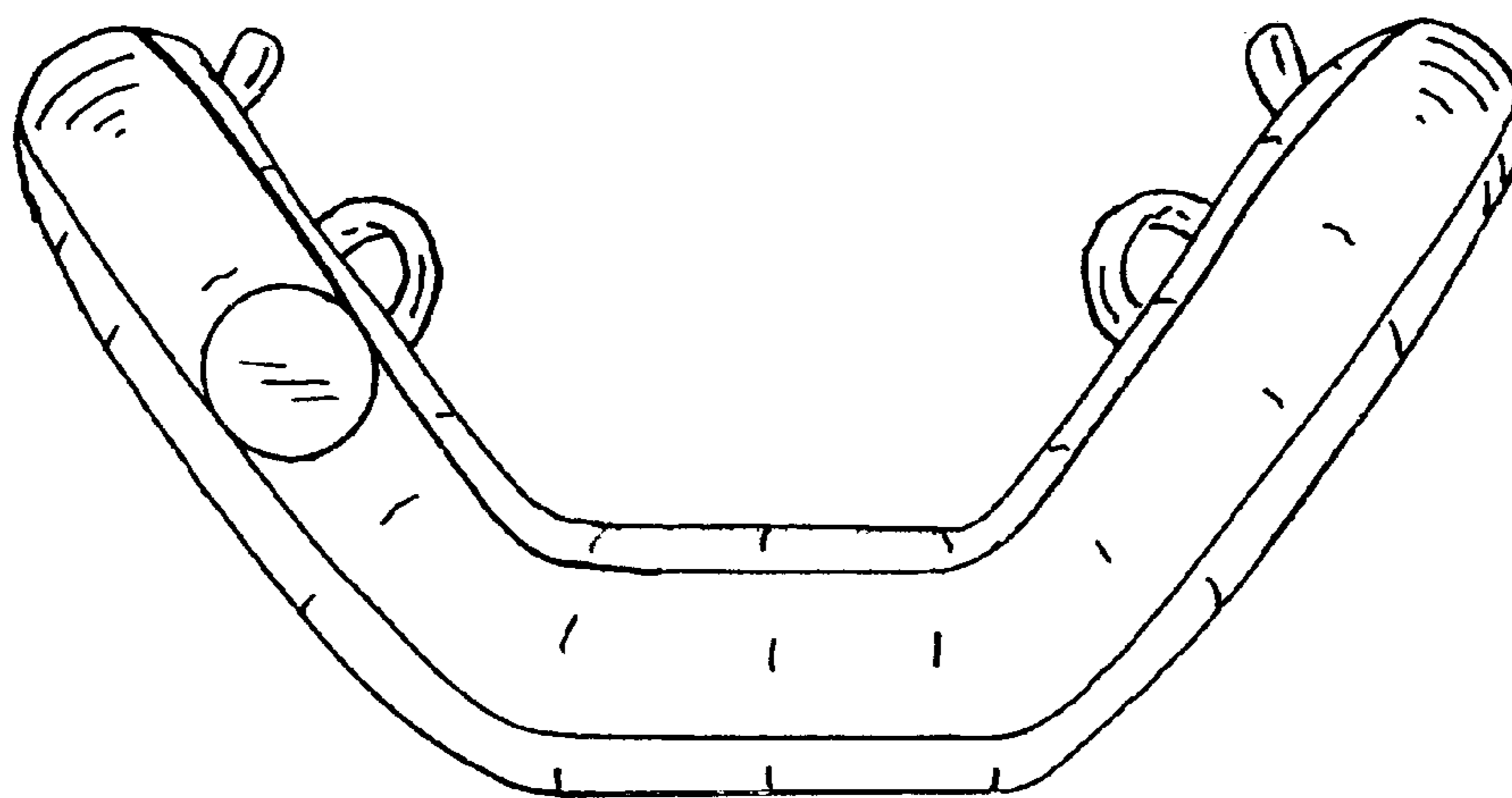


Fig. 5

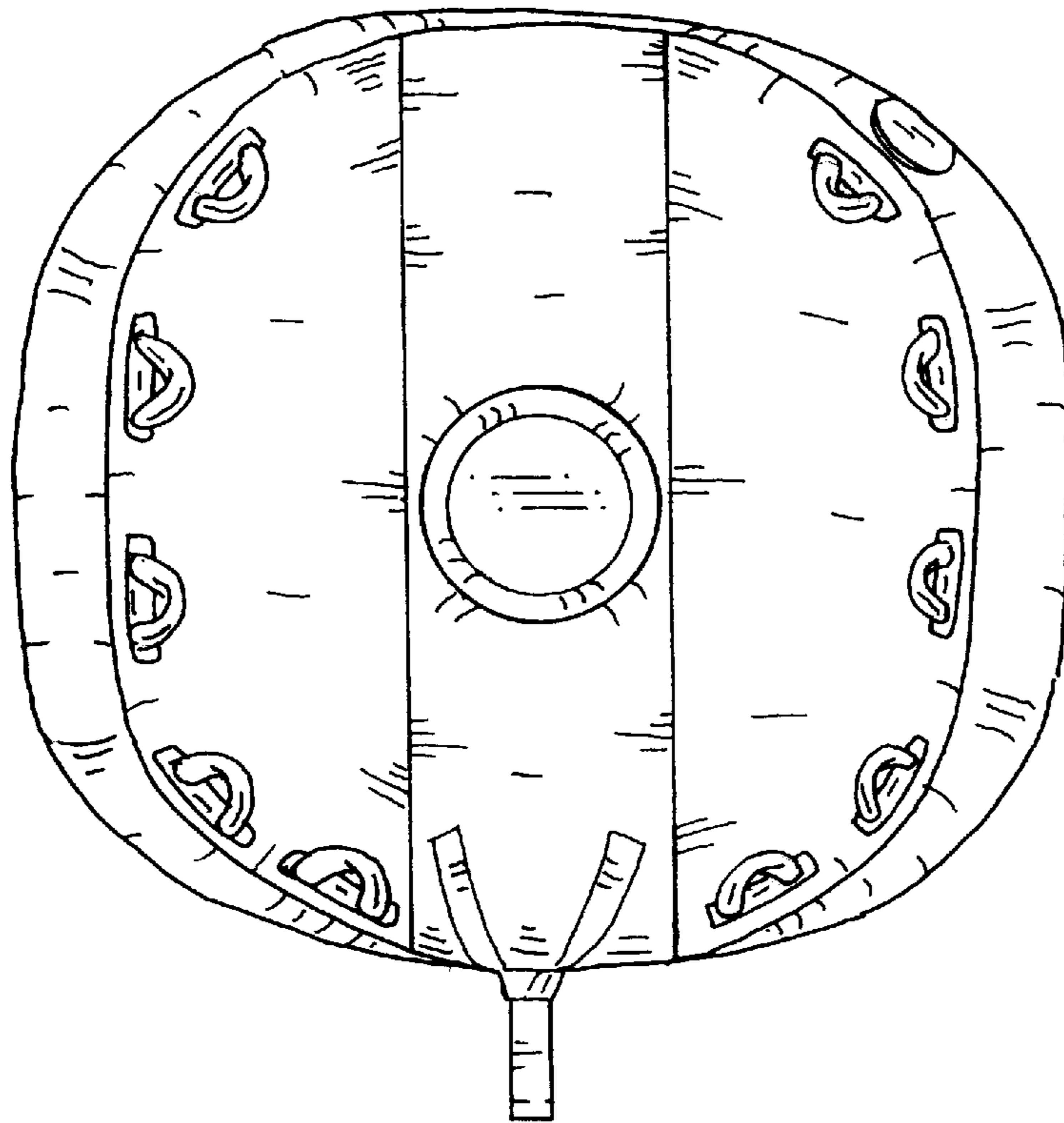


Fig. 6

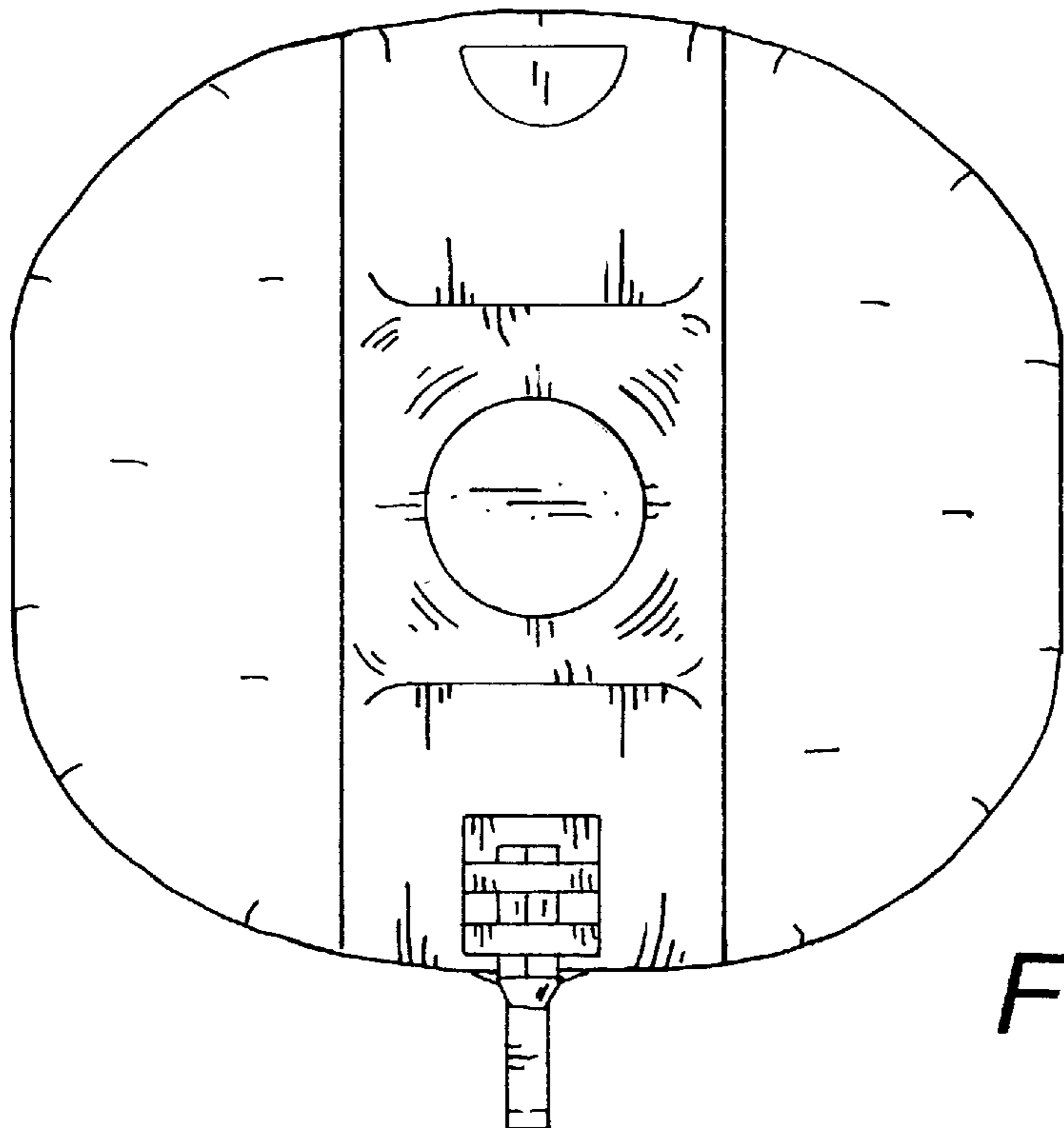


Fig. 7