

US00D496968S1

(12) **United States Design Patent** (10) **Patent No.:** **US D496,968 S**
Baerlocher (45) **Date of Patent:** **** Oct. 5, 2004**

(54) **GAMING DEVICE SYMBOL DISPLAY HAVING A DISPLAY WINDOW**

(75) Inventor: **Anthony J. Baerlocher**, Reno, NV (US)

(73) Assignee: **IGT**, Reno, NV (US)

(**) Term: **14 Years**

(21) Appl. No.: **29/189,903**

(22) Filed: **Sep. 10, 2003**

(51) **LOC (7) Cl.** **21-03**

(52) **U.S. Cl.** **D21/370; D21/385**

(58) **Field of Search** **D21/325, 329, D21/369-371, 374, 385; 273/138.1; 463/16-17, 20, 46-47**

6,086,066 A 7/2000 Takeuchi et al.
6,089,978 A 7/2000 Adams
6,135,884 A 10/2000 Hedrick et al.
6,142,873 A 11/2000 Weiss et al.
6,162,121 A 12/2000 Morro et al.
6,168,520 B1 1/2001 Baerlocher et al.
6,174,234 B1 1/2001 Seibert et al.
6,174,235 B1 1/2001 Walker et al.
6,261,177 B1 7/2001 Bennett
6,312,334 B1 11/2001 Yoseloff
6,334,814 B1 1/2002 Adams
6,398,220 B1 6/2002 Inoue
6,589,114 B2 7/2003 Rose
6,659,864 B2 12/2003 McGahn et al.
6,715,756 B2 4/2004 Inoue
6,726,204 B2 4/2004 Inoue
2002/0094862 A1 7/2002 Inoue
2002/0142829 A1 10/2002 Inoue
2003/0232643 A1 12/2003 Inoue
2004/0000754 A1 1/2004 Inoue
2004/0012145 A1 1/2004 Inoue
2004/0014516 A1 1/2004 Inoue
2004/0014517 A1 1/2004 Inoue
2004/0017041 A1 1/2004 Inoue
2004/0018866 A1 1/2004 Inoue
2004/0026854 A1 2/2004 Inoue
2004/0036218 A1 2/2004 Inoue
2004/0038726 A1 2/2004 Inoue
2004/0041340 A1 3/2004 Inoue

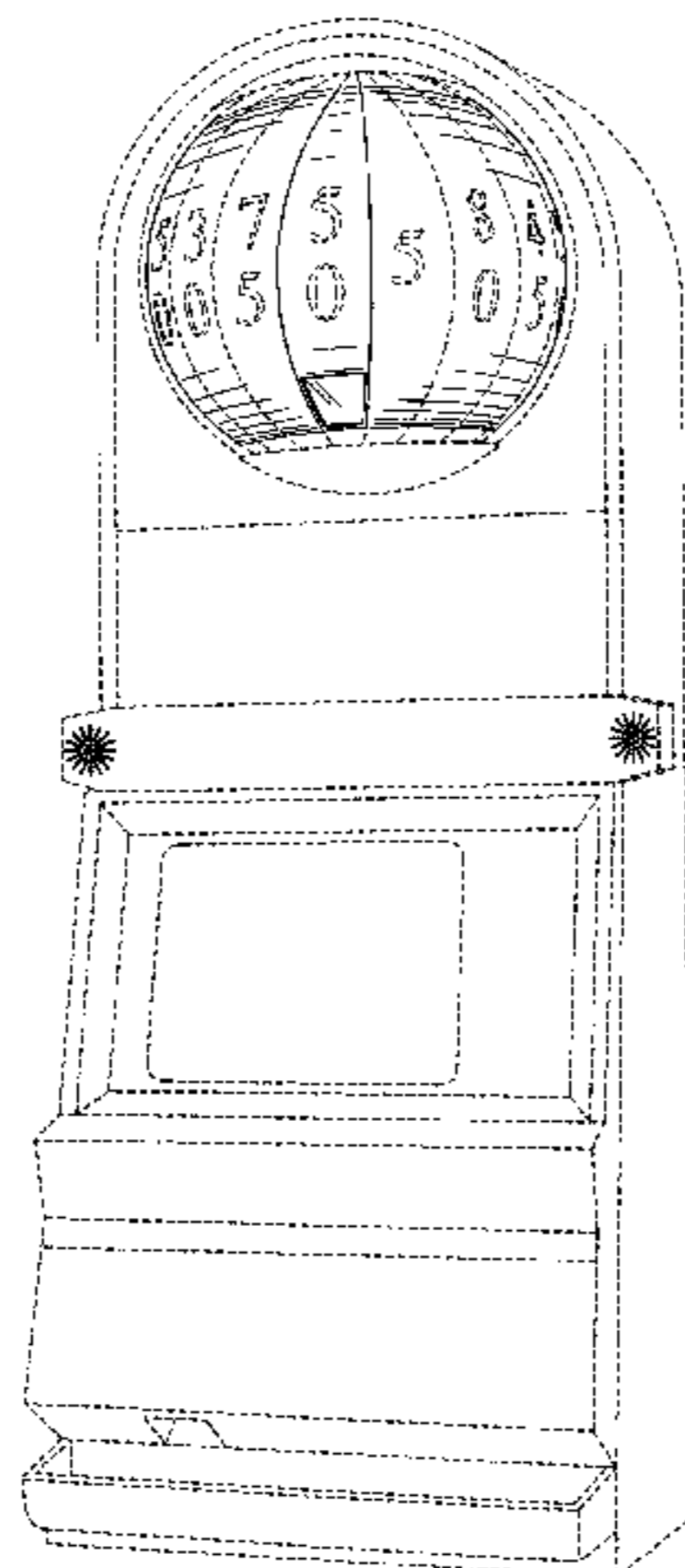
(56) **References Cited**

U.S. PATENT DOCUMENTS

1,978,395 A 4/1934 Groetchen
3,420,525 A 1/1969 Waders
3,642,287 A 2/1972 Lally et al.
3,735,987 A 5/1973 Ohki
4,326,351 A 4/1982 Heywood et al.
4,448,419 A 5/1984 Telnaes
4,517,558 A 5/1985 Davids
4,695,053 A 9/1987 Vazquez, Jr. et al.
4,978,129 A 12/1990 Komeda et al.
5,152,529 A 10/1992 Okada
5,364,100 A 11/1994 Ludlow et al.
5,395,111 A 3/1995 Inoue
5,584,764 A 12/1996 Inoue
5,609,524 A 3/1997 Inoue
5,722,891 A 3/1998 Inoue
5,752,881 A 5/1998 Inoue
5,788,573 A 8/1998 Baerlocher et al.
5,823,874 A 10/1998 Adams
5,848,932 A 12/1998 Adams
5,863,249 A 1/1999 Inoue
5,947,820 A 9/1999 Morro et al.
5,984,782 A 11/1999 Inoue
6,056,642 A 5/2000 Bennett
6,059,658 A 5/2000 Mangano et al.

OTHER PUBLICATIONS

Marshall Fey, Slot Machines a pictorial History of the First 100 Years, 1983, Liberty Belle Books, pp. 79, 150, 171, 231.
Easy Street Advertisements and Articles written by Casino Data Systems, published in 2000.
Treasure Wheel/Treasure Tunnel Advertisement written by Sigma Game, Inc., published prior to 2000.
Wheel of Fortune Advertisement written by IGT, published in 1998.
Wheel of Fortune Article written by IGT, published in 1999.
Take Your Pick Brochure and Article written by IGT/Anchor Games, Strictly Slots, published in 1999.
Austin Powers in Goldmember™ Advertisement written by IGT, published in 2003.
Magic 8 Ball Advertisement written by IGT, published in 2002.



Primary Examiner—Sandra L. Morris
(74) *Attorney, Agent, or Firm*—Bell, Boyd & Lloyd LLC

(57) **CLAIM**

The ornamental design for the gaming device symbol display having a display window, as shown and described herein.

DESCRIPTION

FIG. 1 is a front perspective view of the gaming device symbol display having a display window of my new design, that portion of the gaming device shown in phantom is not part of the design sought to be patented and is provided for environmental purposes only;

FIG. 2 is a front view of the gaming device symbol display having a display window of my new design illustrated in FIG. 1, that portion of the gaming device shown in phantom is not part of the design sought to be patented and is provided for environmental purposes only;

FIG. 3 is a left side view of the gaming device symbol display having a display window of my new design illustrated in FIG. 1, that portion of the gaming device shown in phantom is not part of the design sought to be patented and is provided for environmental purposes only, and wherein the right side is a mirror image thereof;

FIG. 4 is a front perspective view of an alternative embodiment of the gaming device symbol display having a display window of my new design, that portion of the gaming device shown in phantom is not part of the design sought to be patented and is provided for environmental purposes only;

FIG. 5 is a front view of the gaming device symbol display having a display window of the alternative embodiment of my new design illustrated in FIG. 4, that portion of the gaming device shown in phantom is not part of the design sought to be patented and is provided for environmental purposes only;

FIG. 6 is a left side view of the gaming device symbol display having a display window of the alternative embodiment of my new design illustrated in FIG. 4, that portion of the gaming device shown in phantom is not part of the

design sought to be patented and is provided for environmental purposes only, and wherein the right side is a mirror image thereof;

FIG. 7 is a top plan view of the gaming device symbol display having a display window of the alternative embodiment of my new design illustrated in FIG. 4, that portion of the gaming device shown in phantom is not part of the design sought to be patented and is provided for environmental purposes only;

FIG. 8 is a front perspective view of a further alternative embodiment of the gaming device symbol display having a display window of the alternative embodiment of my new design, that portion of the gaming device shown in phantom is not part of the design sought to be patented and is provided for environmental purposes only;

FIG. 9 is a front view of the gaming device symbol display having a display window of the alternative embodiment of my new design illustrated in FIG. 8, that fragmentary portion of the gaming device shown in phantom is not part of the design sought to be patented and is provided for environmental purposes only;

FIG. 10 is a left side view of the gaming device symbol display having a display window of the alternative embodiment of my new design illustrated in FIG. 8, that portion of the gaming device shown in phantom is not part of the design sought to be patented and is provided for environmental purposes only, and wherein the right side is a mirror image thereof; and,

FIG. 11 is a top plan view of the gaming device symbol display having a display window of the alternative embodiment of my new design illustrated in FIG. 8, that portion of the gaming device shown in phantom is not part of the design sought to be patented and is provided for environmental purposes only.

1 Claim, 11 Drawing Sheets

FIG. 1

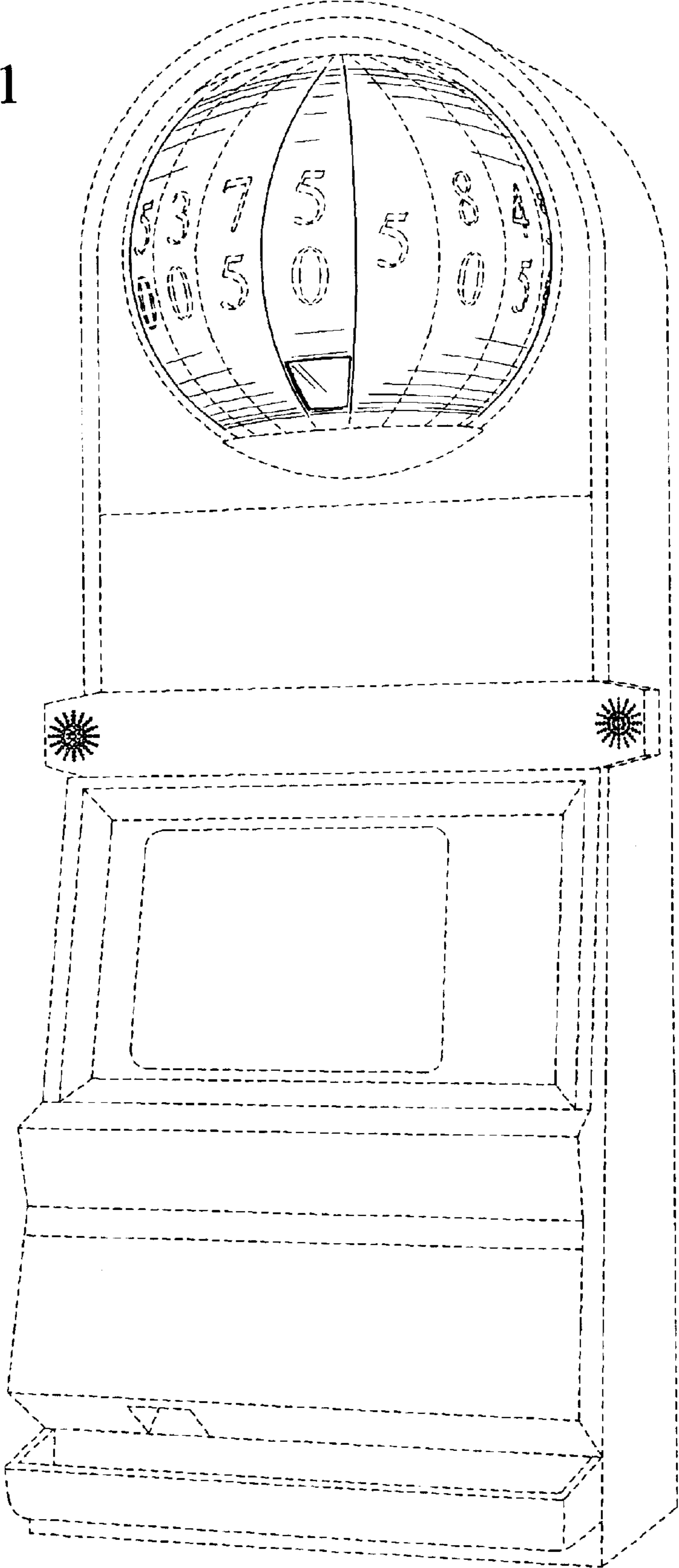


FIG. 2

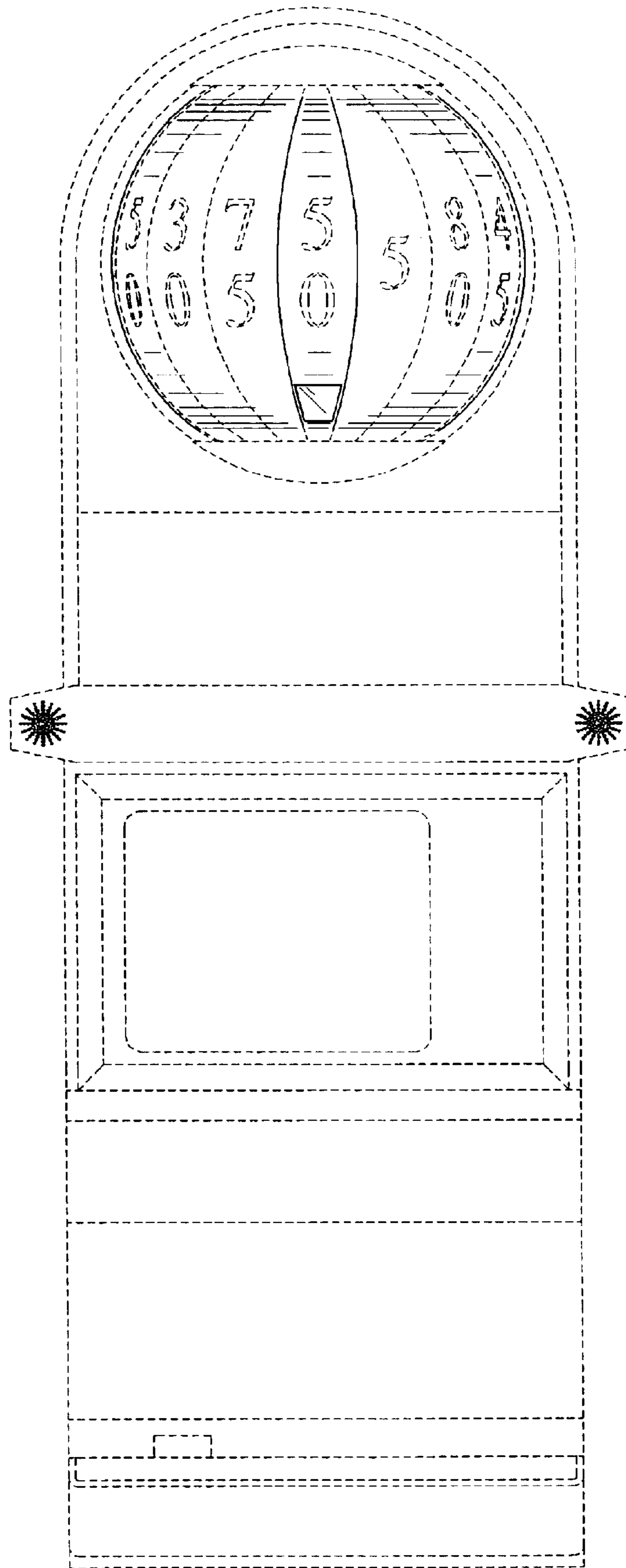


FIG. 3

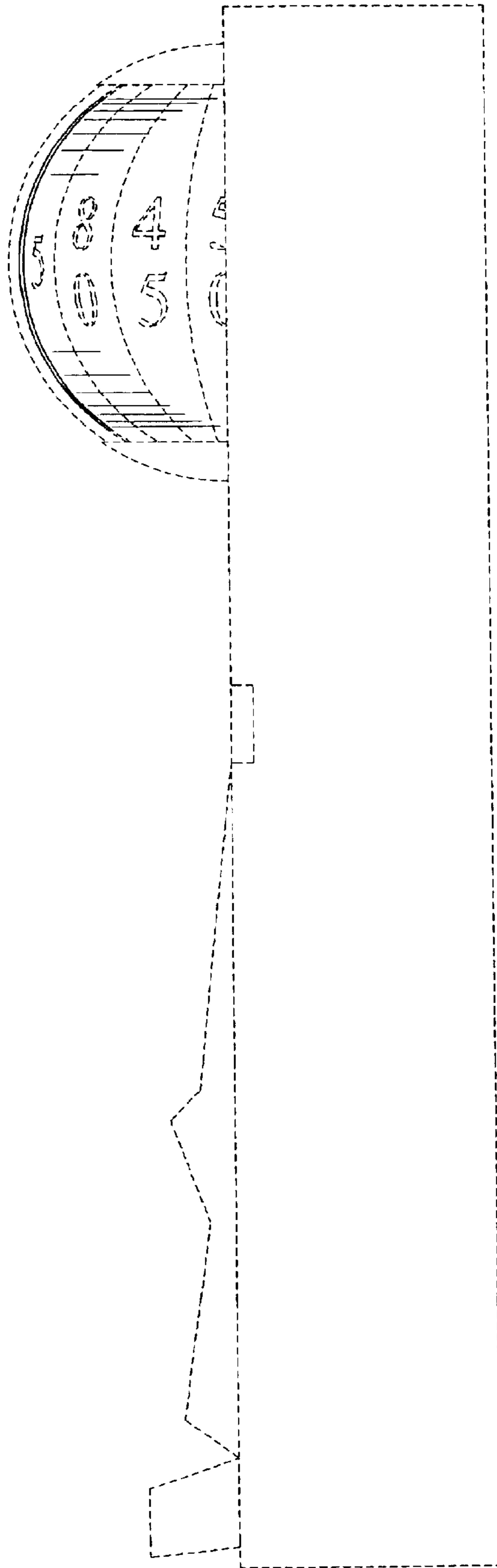


FIG. 4

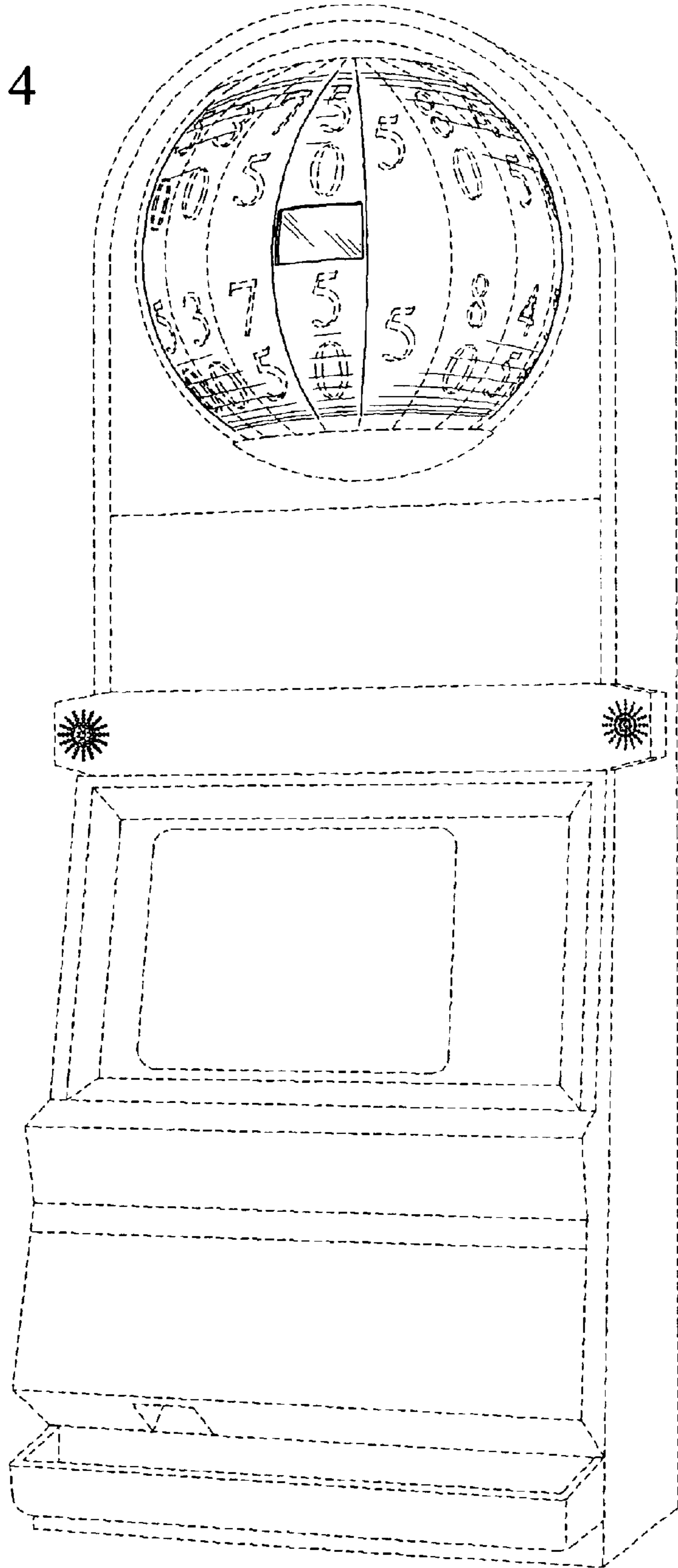


FIG. 5

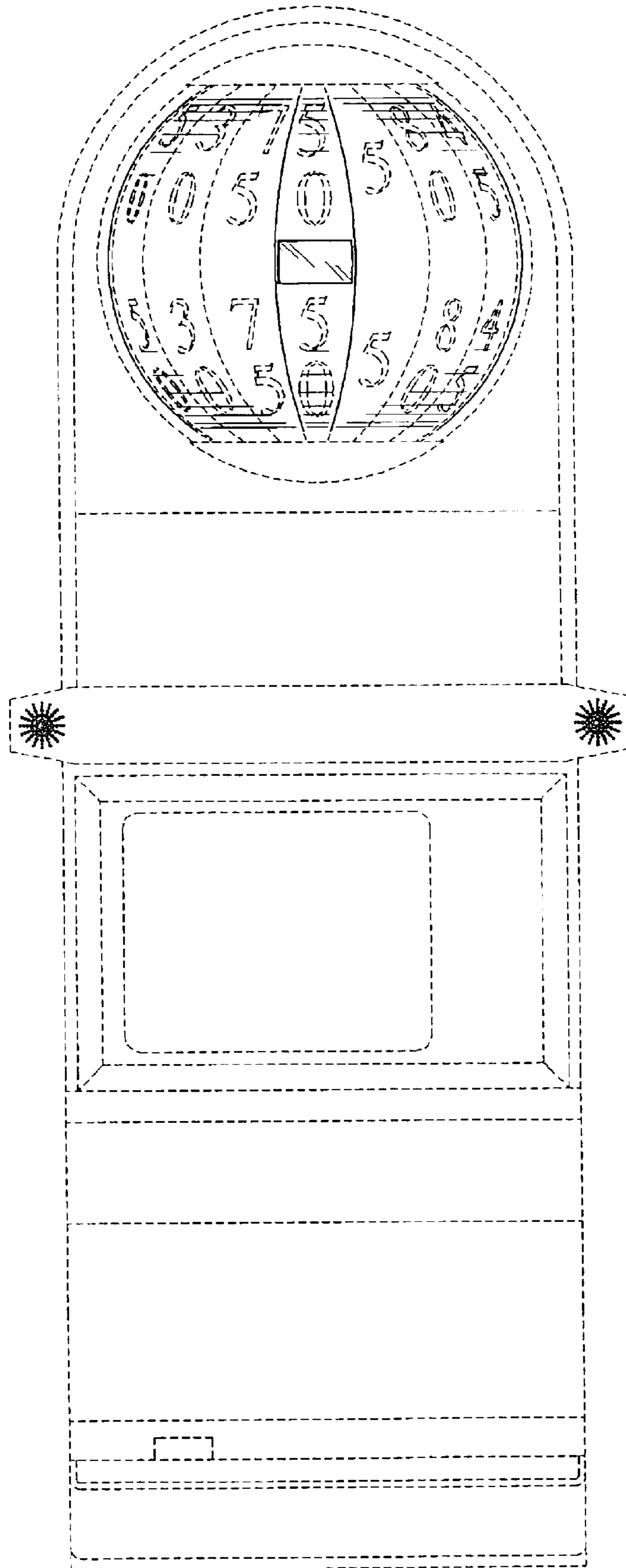


FIG. 6

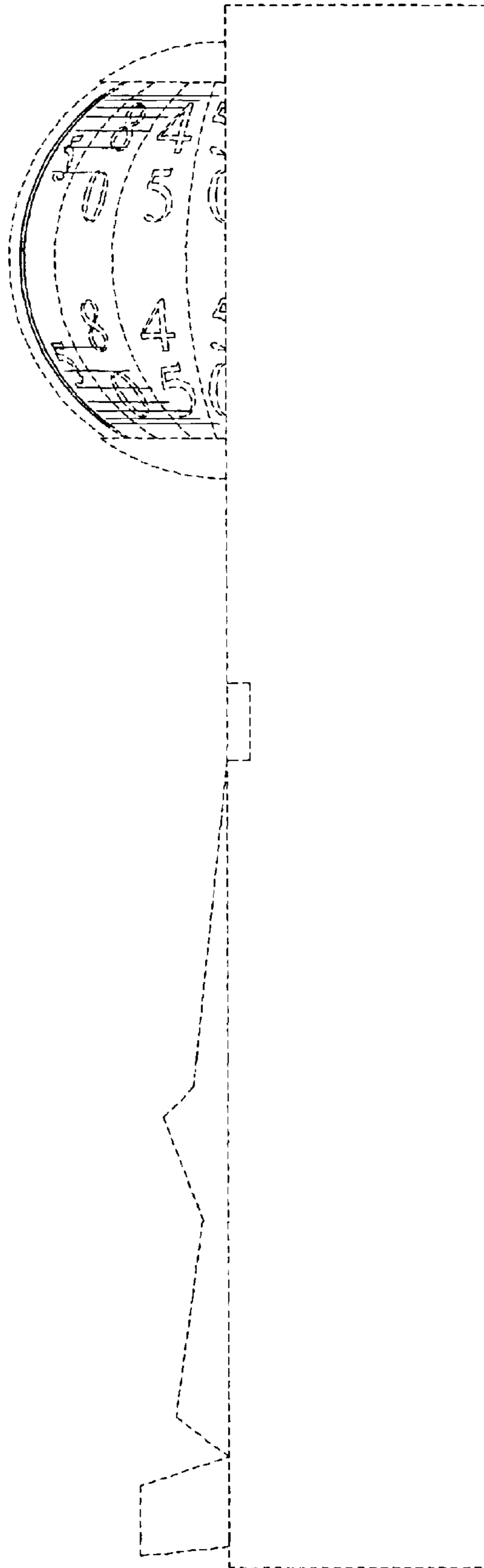


FIG. 7

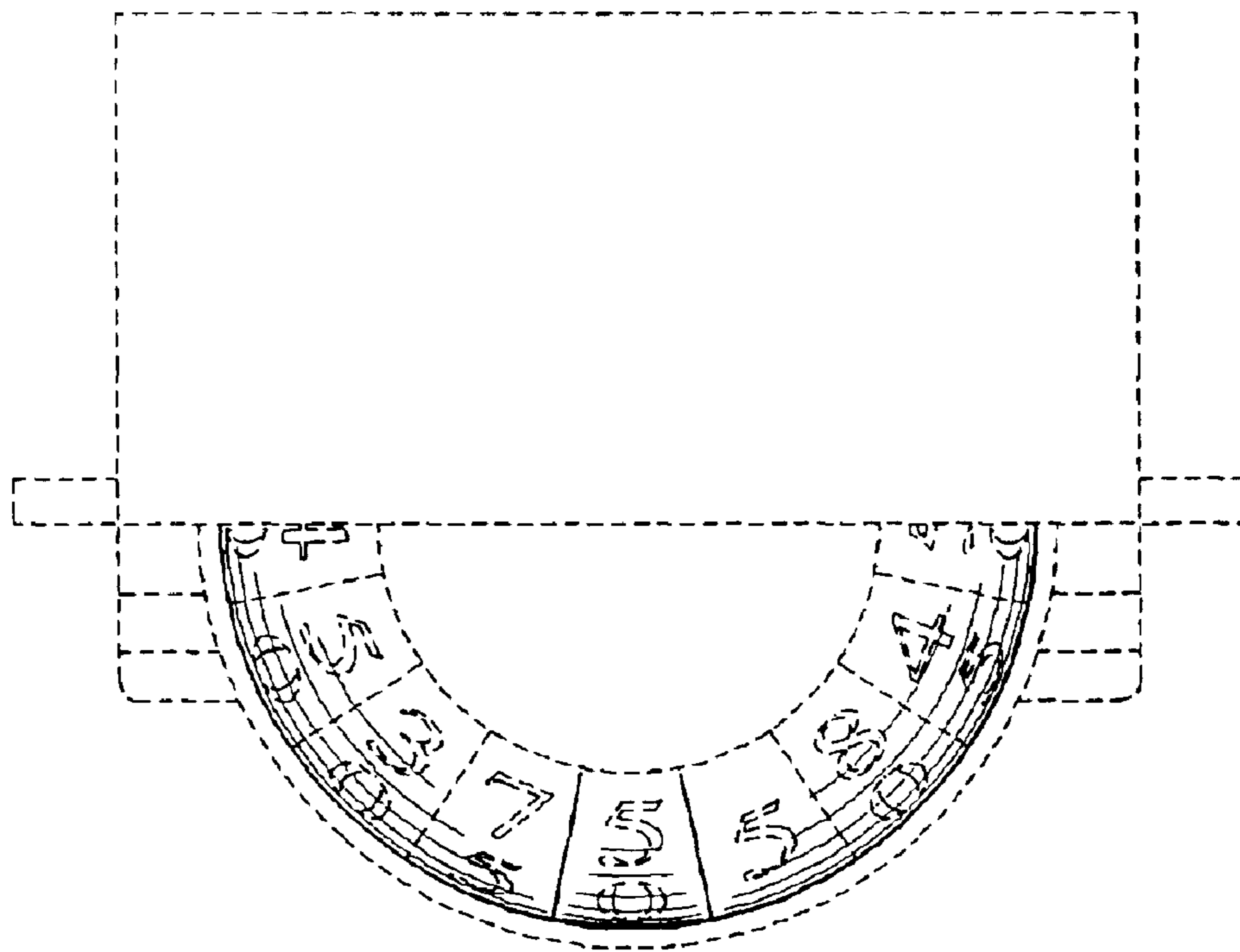


FIG. 8

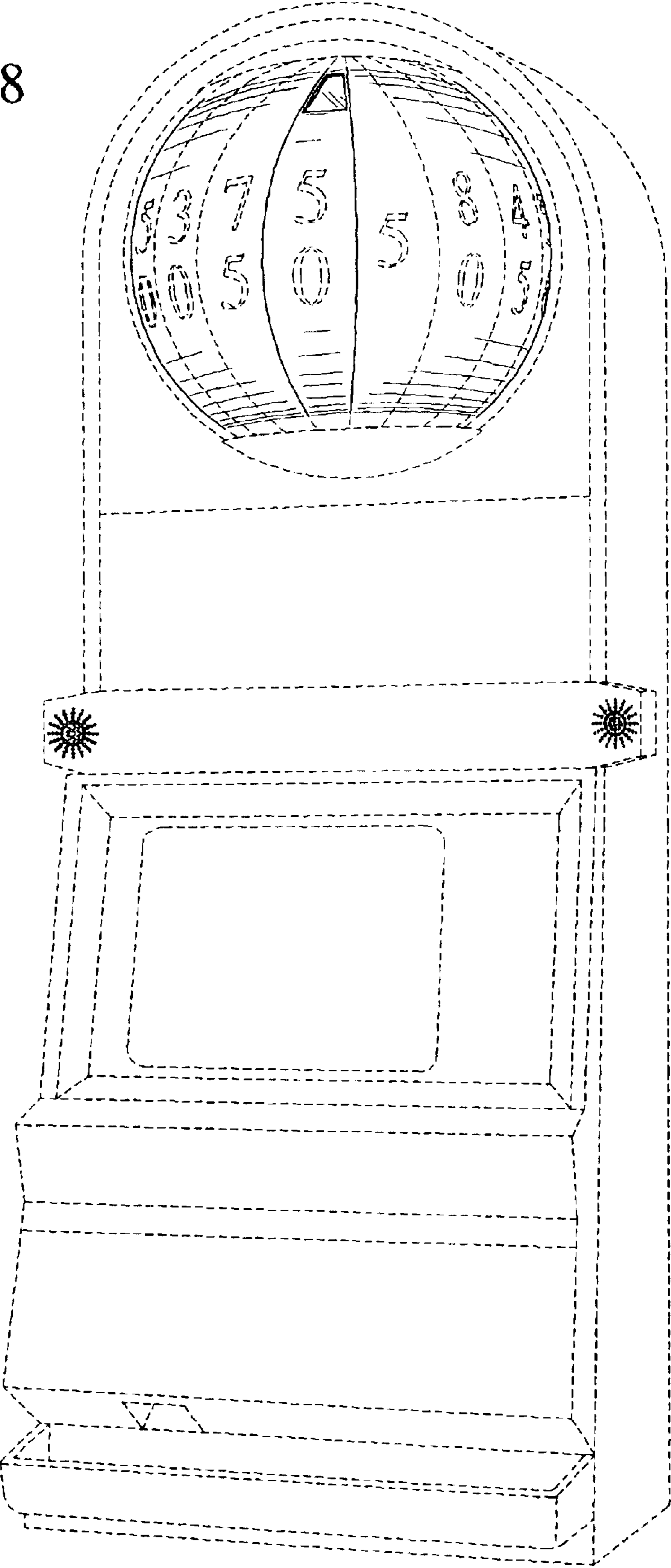


FIG. 9

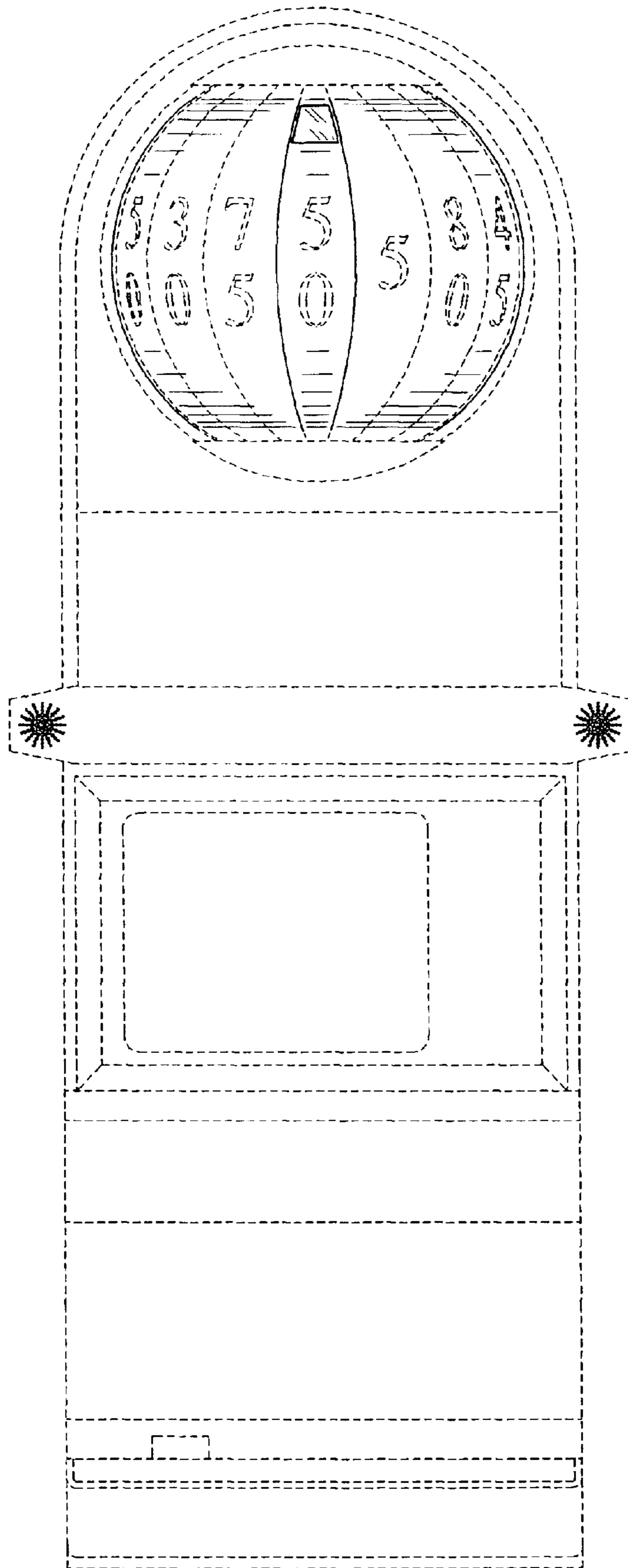


FIG.10

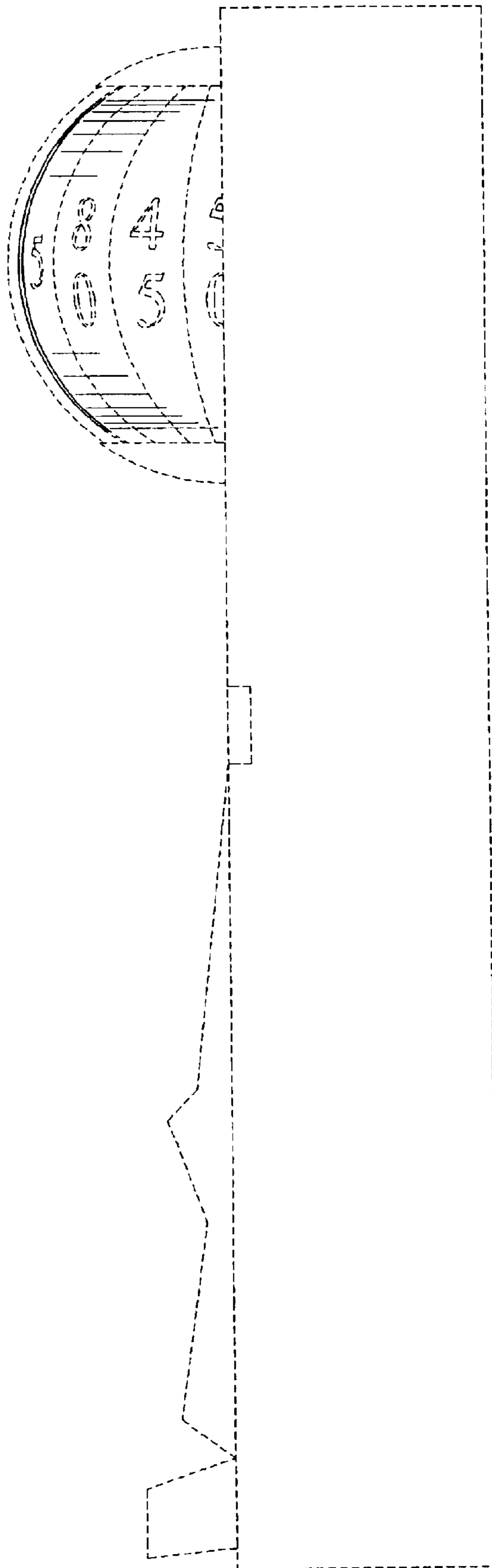


FIG. 11

