

US00D496965S1

(12) **United States Design Patent**
Henry

(10) **Patent No.:** **US D496,965 S**

(45) **Date of Patent:** **** Oct. 5, 2004**

(54) **ADJUSTABLE MULTIPURPOSE RACK**

5,765,697 A * 6/1998 Soong 211/11
D483,204 S * 12/2003 Chang D6/475

(75) **Inventor:** **Roger John Wilton Henry,**
Cheltenham (AU)

* cited by examiner

(73) **Assignee:** **Arnos Australia Pty., Ltd.,** Victoria
(AU)

Primary Examiner—Martie K. Holtje

(74) *Attorney, Agent, or Firm*—Sughrue Mion, PLLC

(**) **Term:** **14 Years**

(57) **CLAIM**

The ornamental design for an adjustable multipurpose rack,
as shown and described.

(21) **Appl. No.:** **29/166,624**

(22) **Filed:** **Sep. 3, 2002**

DESCRIPTION

(51) **LOC (7) Cl.** **19-02**

(52) **U.S. Cl.** **D19/90; D19/91**

(58) **Field of Search** 312/234.1; D19/35,
D19/36, 65, 75, 76, 78, 86, 90, 91, 95,
99, 92, 100; D6/407, 475; 211/10, 11, 13.1,
40, 42, 43, 49.1, 126.13, 85.26, 182, 184,
188; 206/215, 425, 555, 557

FIG. 1 is a perspective view of the top, front and right side
of an adjustable multipurpose rack showing my new design,
the back and bottom components being identical and the end
panels being identical;

FIG. 2 is a perspective view of FIG. 1, the intermediate
divider, identical to the end panels, depicted by means of
broken lines, being shown for illustrative purposes only and
forming no part of the claimed design;

FIG. 3 is a left side elevational view thereof, the right side
elevational view being identical thereto;

FIG. 4 is a left side elevational view of an end panel, shown
separately for ease of illustration, the right side being a
mirror image thereof; and,

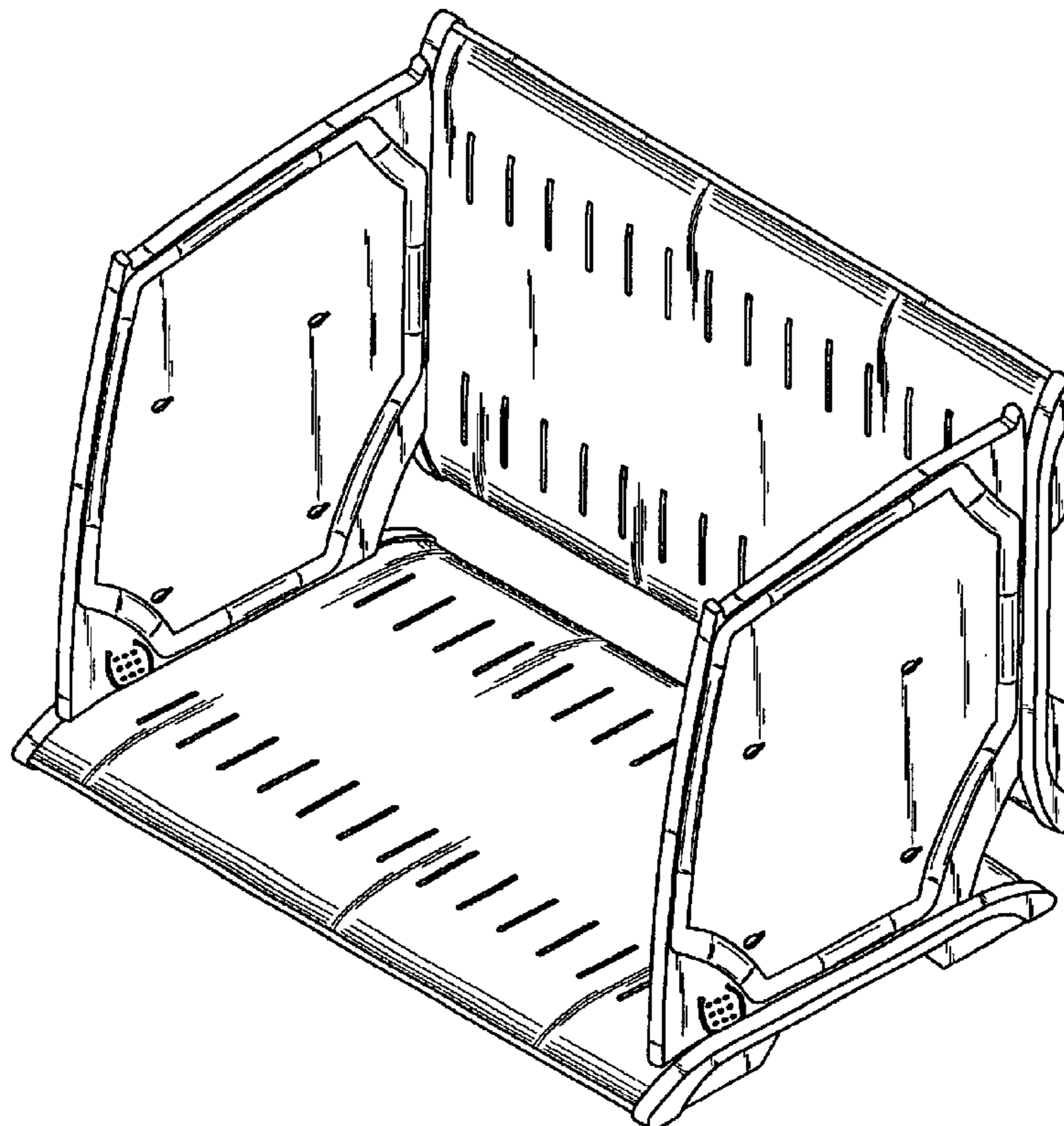
FIG. 5 is a perspective view of the top, rear and right side
thereof.

(56) **References Cited**

U.S. PATENT DOCUMENTS

- 1,750,866 A * 3/1930 Skowron 312/234.1
- D181,901 S * 1/1958 Clarke D6/407
- 3,269,588 A * 8/1966 Hess 211/184
- 4,759,449 A * 7/1988 Gold 211/43
- D304,462 S * 11/1989 Evans D19/90
- 5,287,974 A * 2/1994 Buday 211/184
- 5,732,832 A * 3/1998 Kordowski 211/43

1 Claim, 5 Drawing Sheets



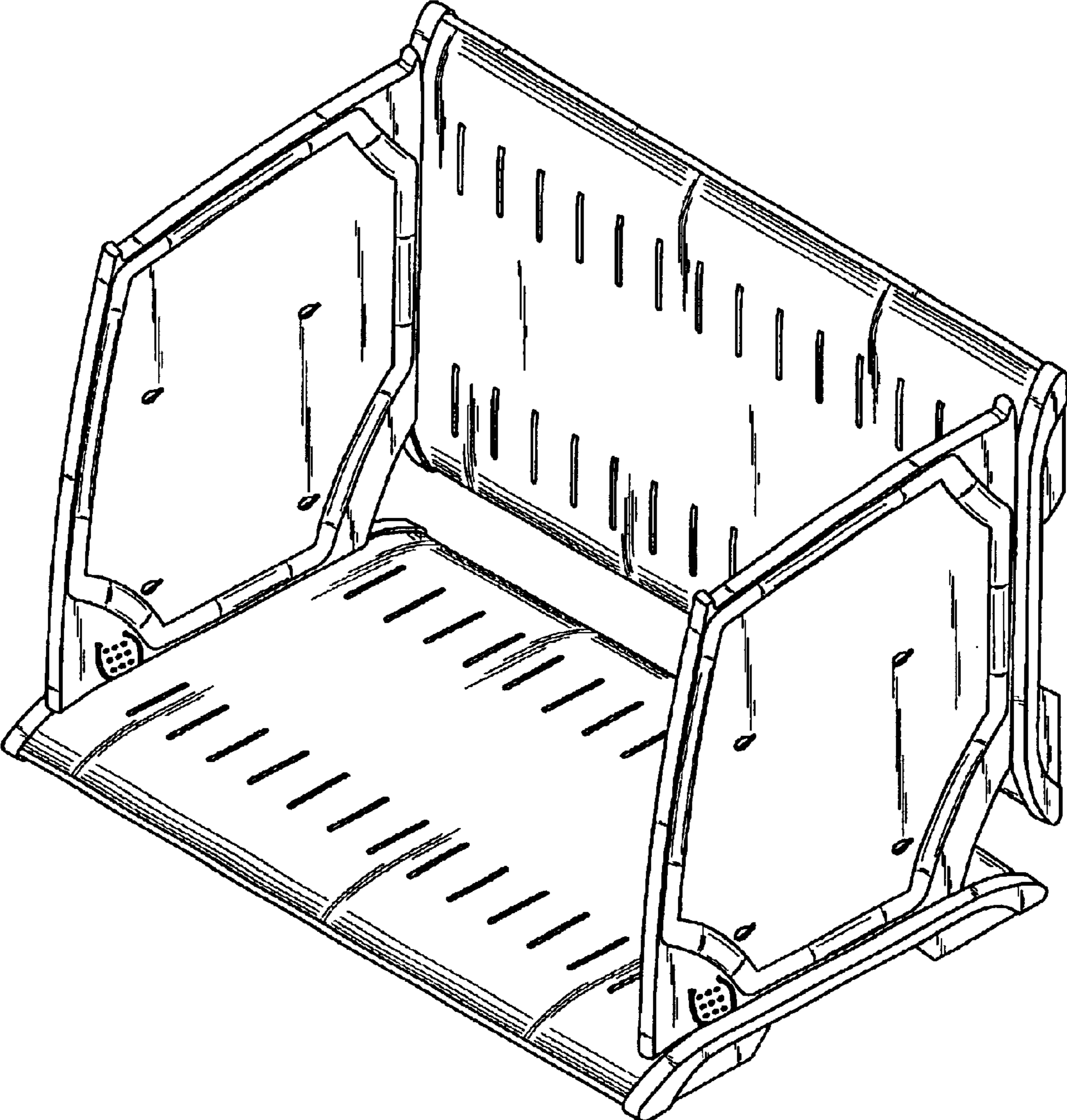


Fig. 1

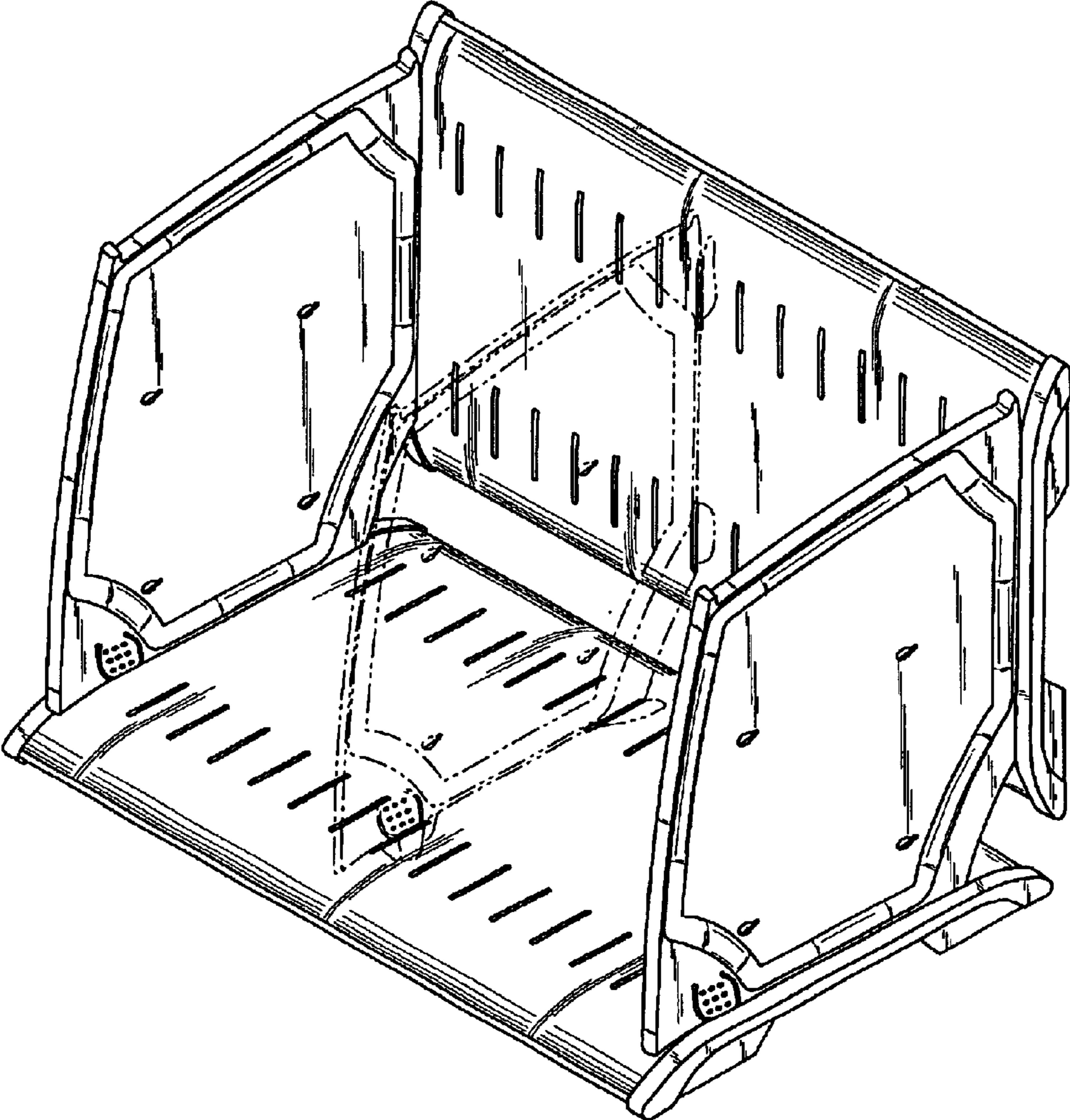


Fig. 2

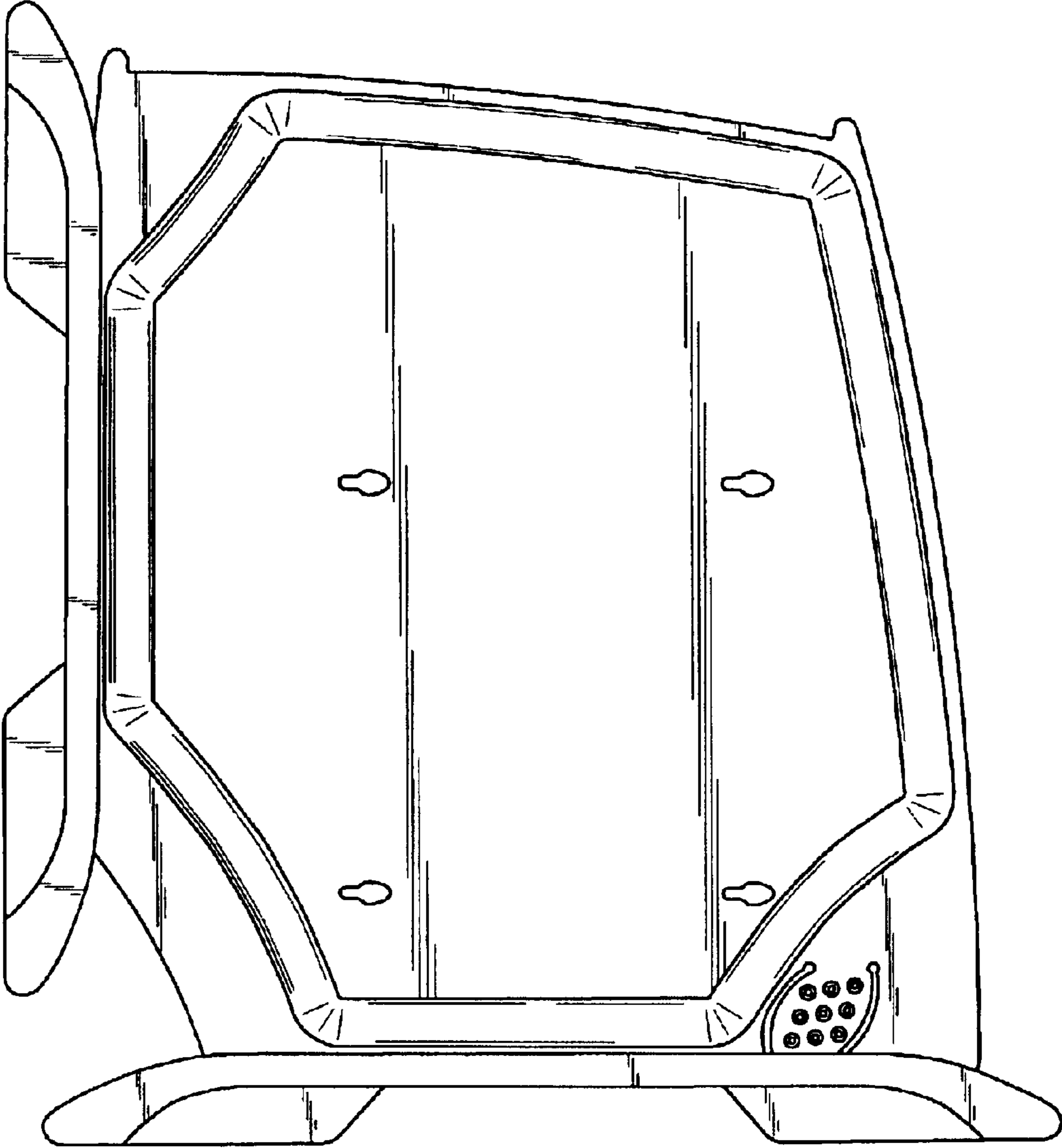


Fig. 3

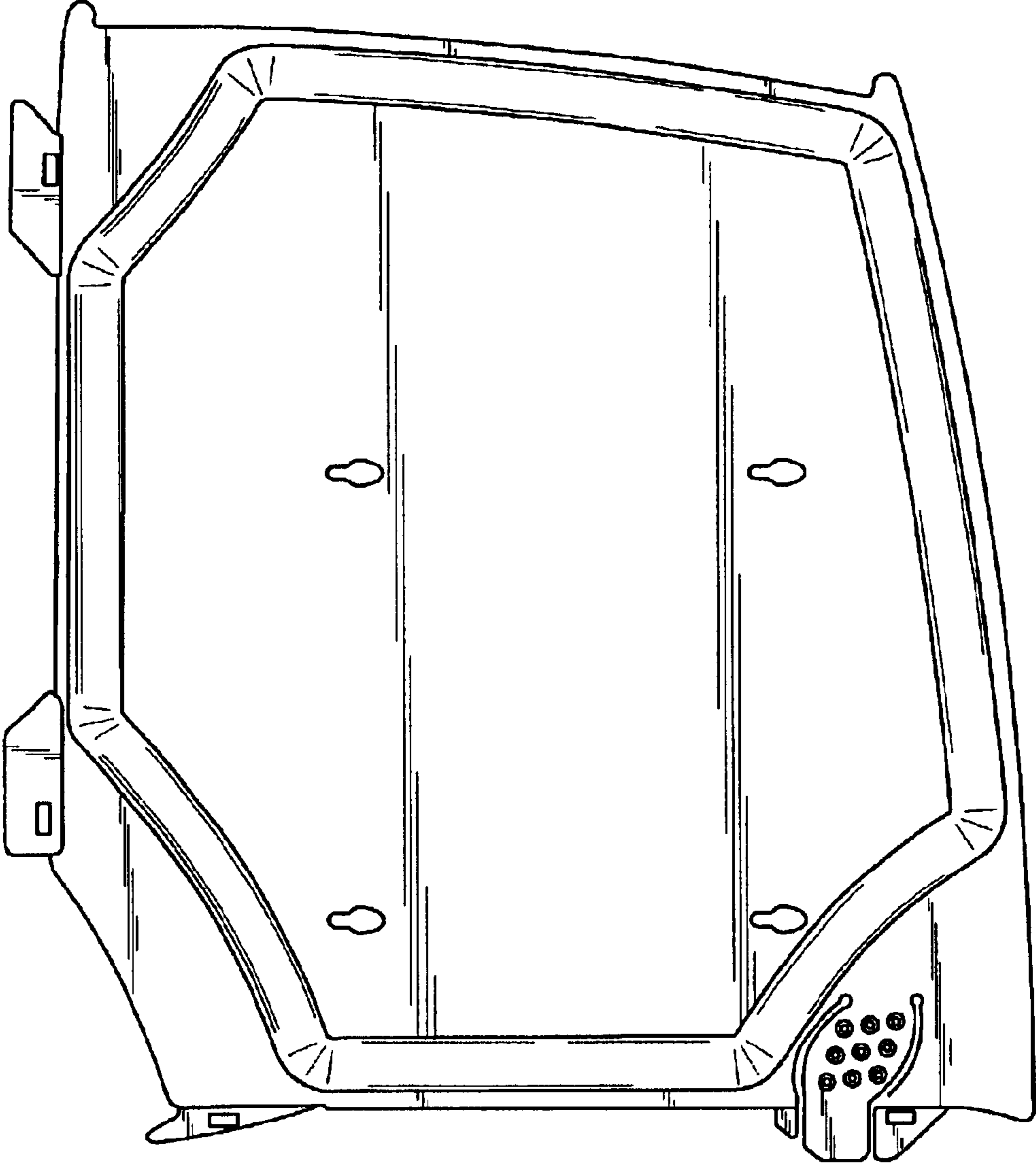


Fig. 4

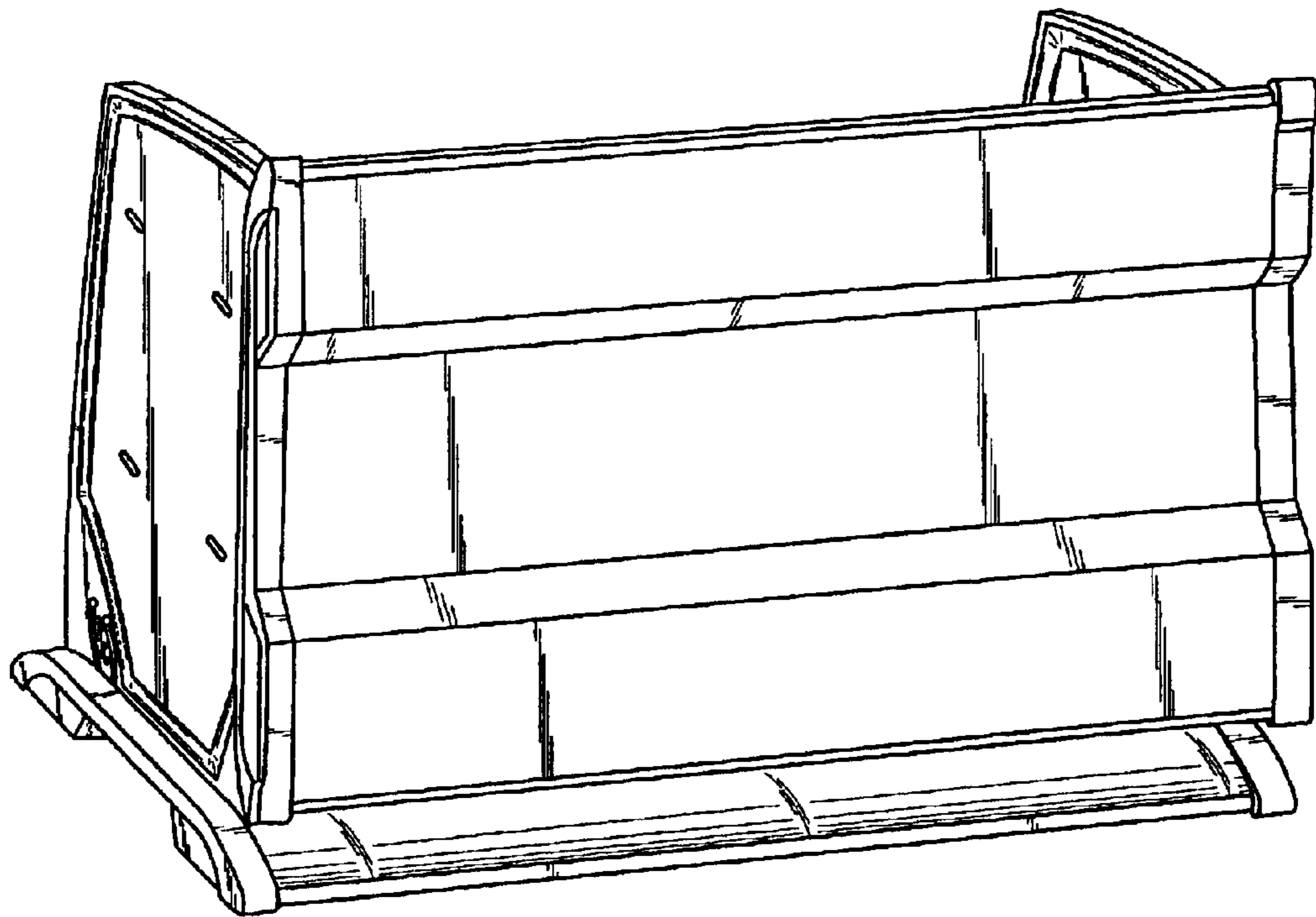


Fig. 5