

US00D496956S1

(12) **United States Design Patent** (10) **Patent No.:** **US D496,956 S**
Wani (45) **Date of Patent:** **** Oct. 5, 2004**

(54) **CAMERA**
(75) **Inventor:** **Yuki Wani, Machida (JP)**
(73) **Assignee:** **Olympus Corporation, Tokyo (JP)**
(**) **Term:** **14 Years**
(21) **Appl. No.:** **29/200,840**
(22) **Filed:** **Mar. 4, 2004**

D323,336 S 1/1992 Moro et al. D16/209
5,508,769 A * 4/1996 Inoue et al. 396/349
6,036,376 A 3/2000 Owashi et al. 396/349
6,104,882 A 8/2000 Inazuka 396/349
6,151,455 A 11/2000 Mikami et al. 396/448
D453,942 S * 2/2002 Suzuki et al. D16/219
6,347,893 B1 * 2/2002 Shiono et al. 396/448
D456,036 S * 4/2002 Suzuki et al. D16/219
D464,665 S * 10/2002 Yoshida D16/212
D483,786 S 12/2003 Rushihata D16/212

* cited by examiner

Related U.S. Application Data

(62) Division of application No. 29/182,028, filed on May 19, 2003.

Foreign Application Priority Data

Feb. 28, 2003 (JP) 2003-005258
Feb. 28, 2003 (JP) 2003-005259

(51) **LOC (7) Cl.** **16-05**
(52) **U.S. Cl.** **D16/219; D16/212**
(58) **Field of Search** **D16/200-204,**
D16/208, 209, 211, 212, 218, 219; 348/373-376;
358/909.1; 396/348, 349, 448, 535, 536-541

References Cited

U.S. PATENT DOCUMENTS

D213,806 S 4/1969 Ikegami et al. D16/212

Primary Examiner—Adir Aronovich

(74) *Attorney, Agent, or Firm*—Hogan & Hartson LLP

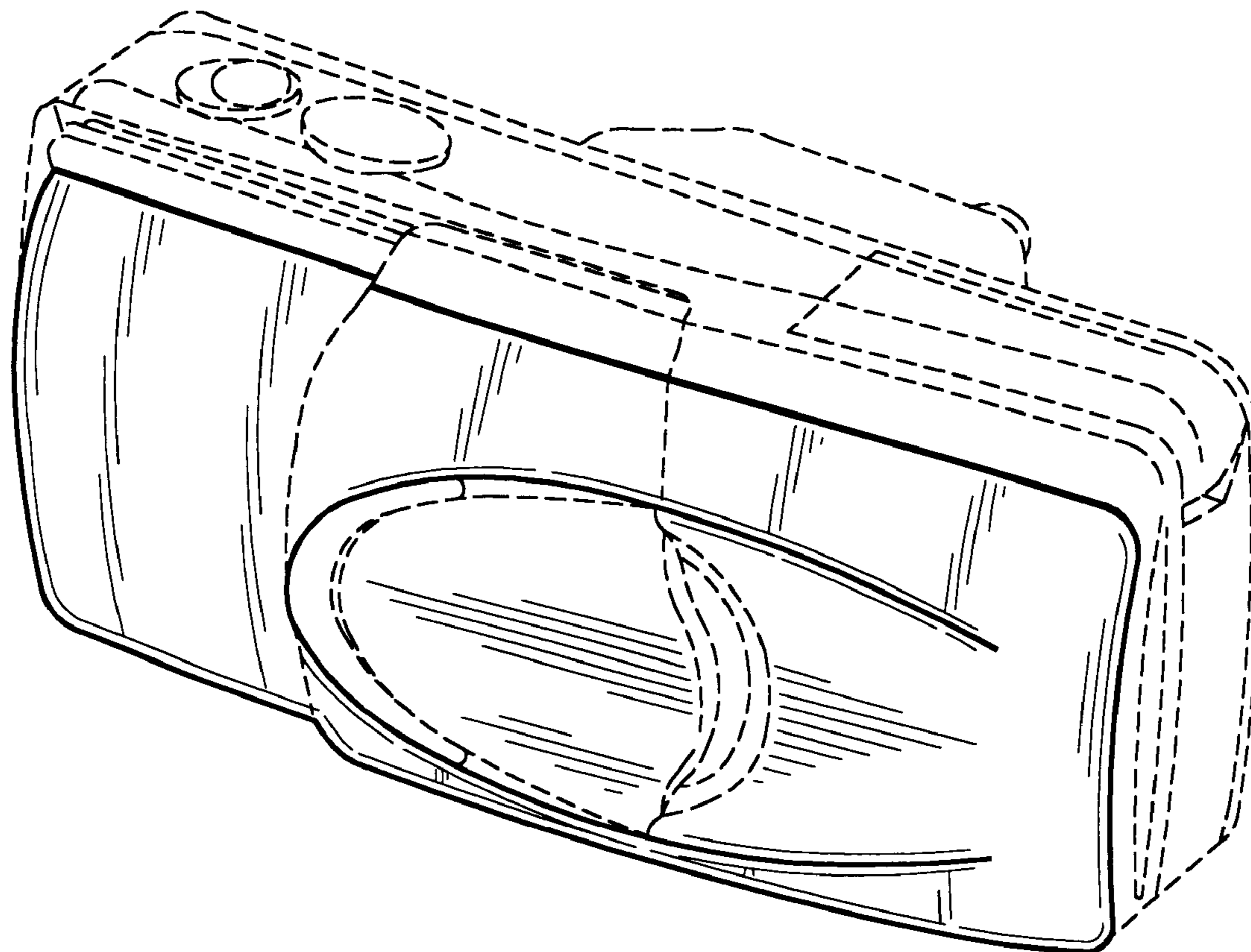
(57) **CLAIM**

The ornamental design for a camera, as shown and described.

DESCRIPTION

FIG. 1 is a front, top and right side perspective view of a camera showing my new design; and, FIG. 2 is a front, top and right side perspective view thereof, with a barrier in an opened state. The portions of the camera in broken lines are shown for illustrative purposes only and form no part of the claimed design.

1 Claim, 1 Drawing Sheet



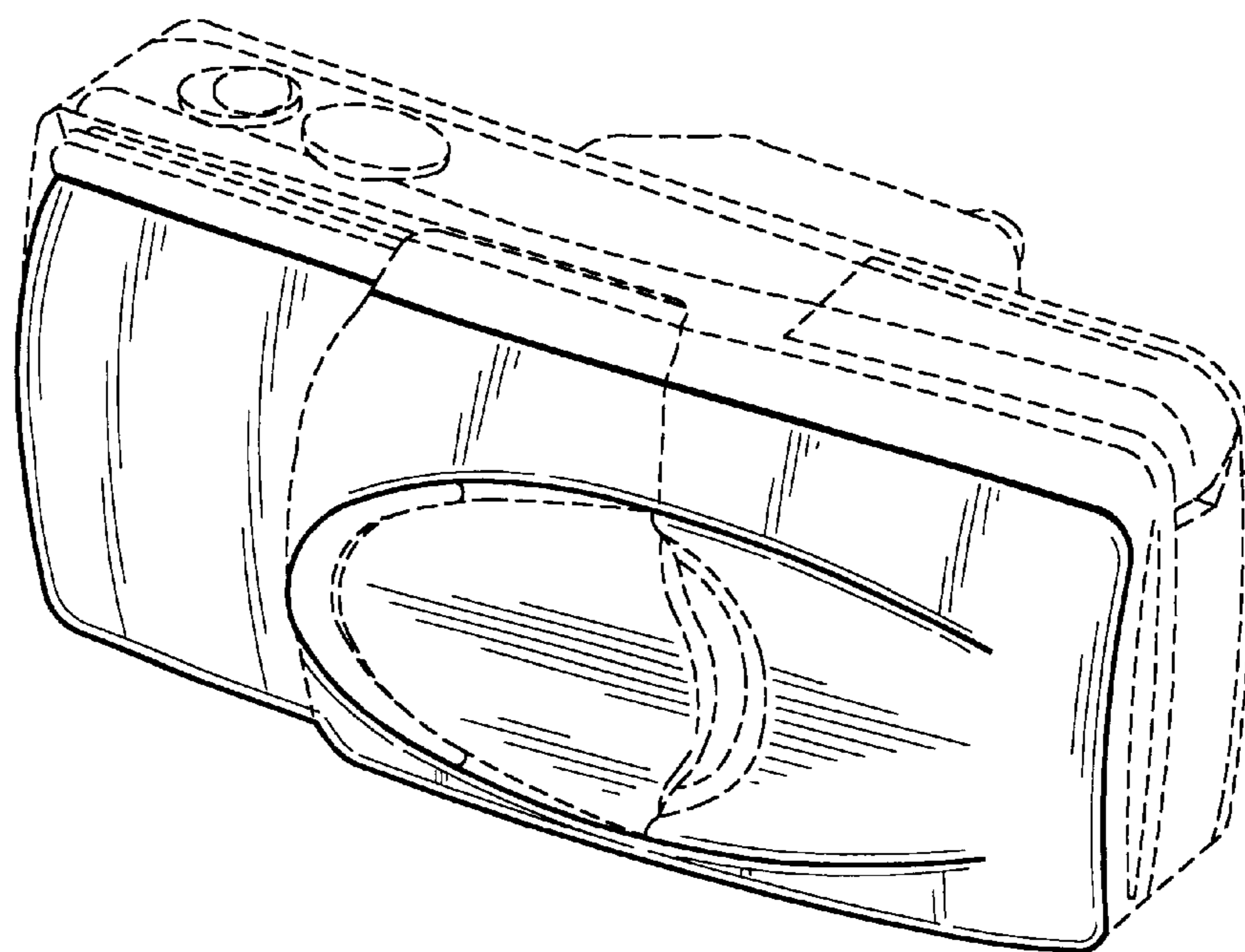


FIG. 1

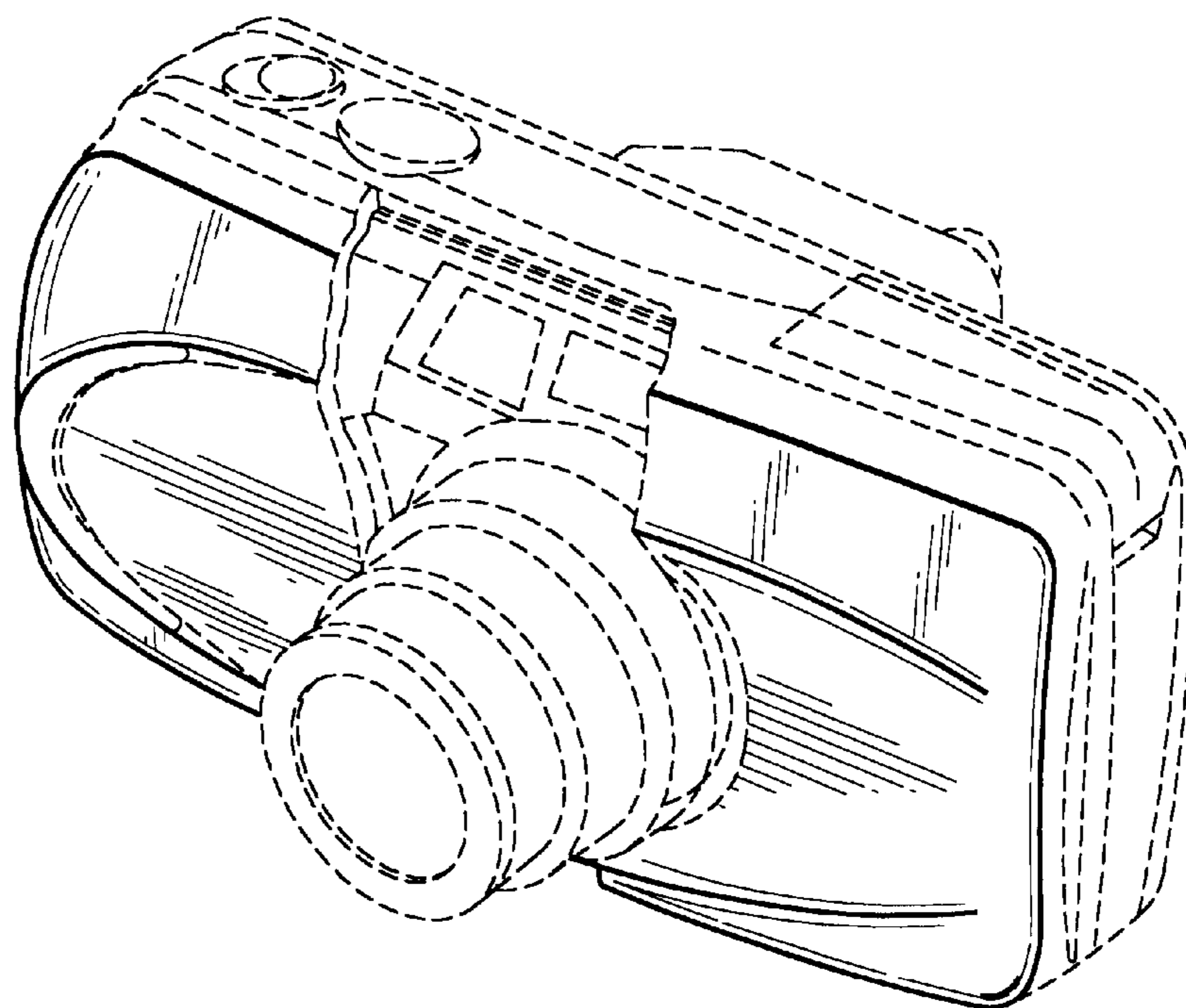


FIG. 2