

US00D496955S1

(12) **United States Design Patent**
Hayashi

(10) **Patent No.:** **US D496,955 S**

(45) **Date of Patent:** **** Oct. 5, 2004**

(54) **DIGITAL CAMERA**

(75) **Inventor:** **Tatsuyuki Hayashi, Saitama (JP)**

(73) **Assignee:** **PENTAX Corporation, Tokyo (JP)**

(**) **Term:** **14 Years**

(21) **Appl. No.:** **29/195,023**

(22) **Filed:** **Dec. 5, 2003**

(30) **Foreign Application Priority Data**

Jun. 6, 2003 (JP) 2003-015955

(51) **LOC (7) Cl.** **16-05**

(52) **U.S. Cl.** **D16/219; D16/202**

(58) **Field of Search** D16/200-204,
D16/208, 218, 219; D3/321; 190/18 A,
124, 127; 348/373-376; 358/906, 909.1;
396/535-541

(56) **References Cited**

U.S. PATENT DOCUMENTS

D114,962 S * 5/1939 Ortner D3/321
4,509,622 A * 4/1985 Morszeck 190/124
4,825,302 A * 4/1989 Tezuka et al. 358/906

5,115,895 A * 5/1992 Myers 190/18 A
D473,579 S * 4/2003 Katayama et al. D16/202
D475,382 S * 6/2003 Horikiri D16/202

* cited by examiner

Primary Examiner—Adir Aronovich

(74) *Attorney, Agent, or Firm*—Sughrue Mion, PLLC

(57) **CLAIM**

The ornamental design for a digital camera, as shown and described.

DESCRIPTION

FIG. 1 is a perspective view of the top, front and left side of a digital camera showing my new design; FIG. 2 is a front elevational view thereof; FIG. 3 is a rear elevational view thereof; FIG. 4 is a left side elevational view thereof; FIG. 5 is a right side elevational view thereof; FIG. 6 is a top plan view thereof; and, FIG. 7 is a bottom plan view thereof. The portions of the digital camera in broken lines are shown for illustrative purposes only and form no part of the claimed design.

1 Claim, 5 Drawing Sheets

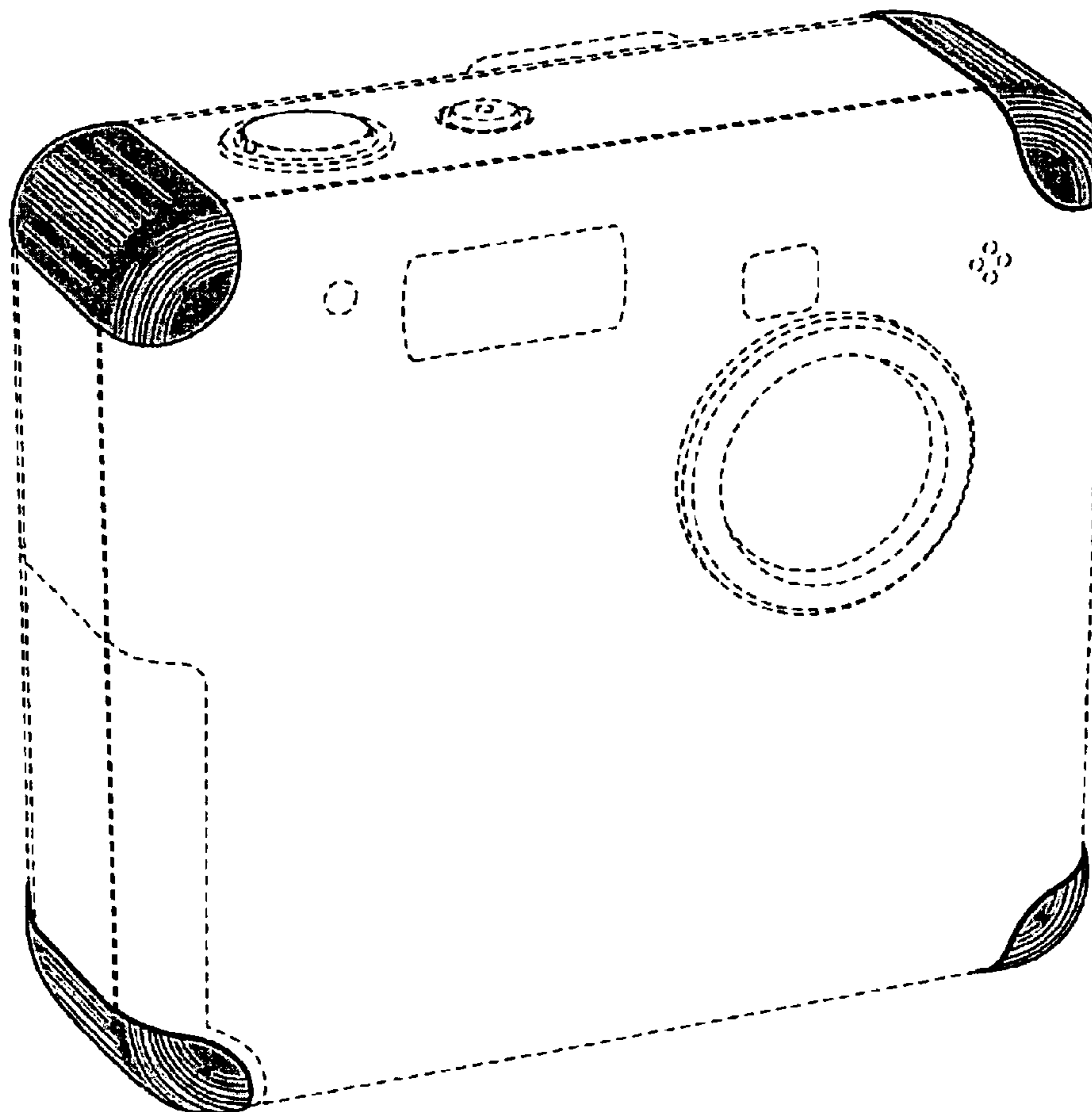


FIG. 1

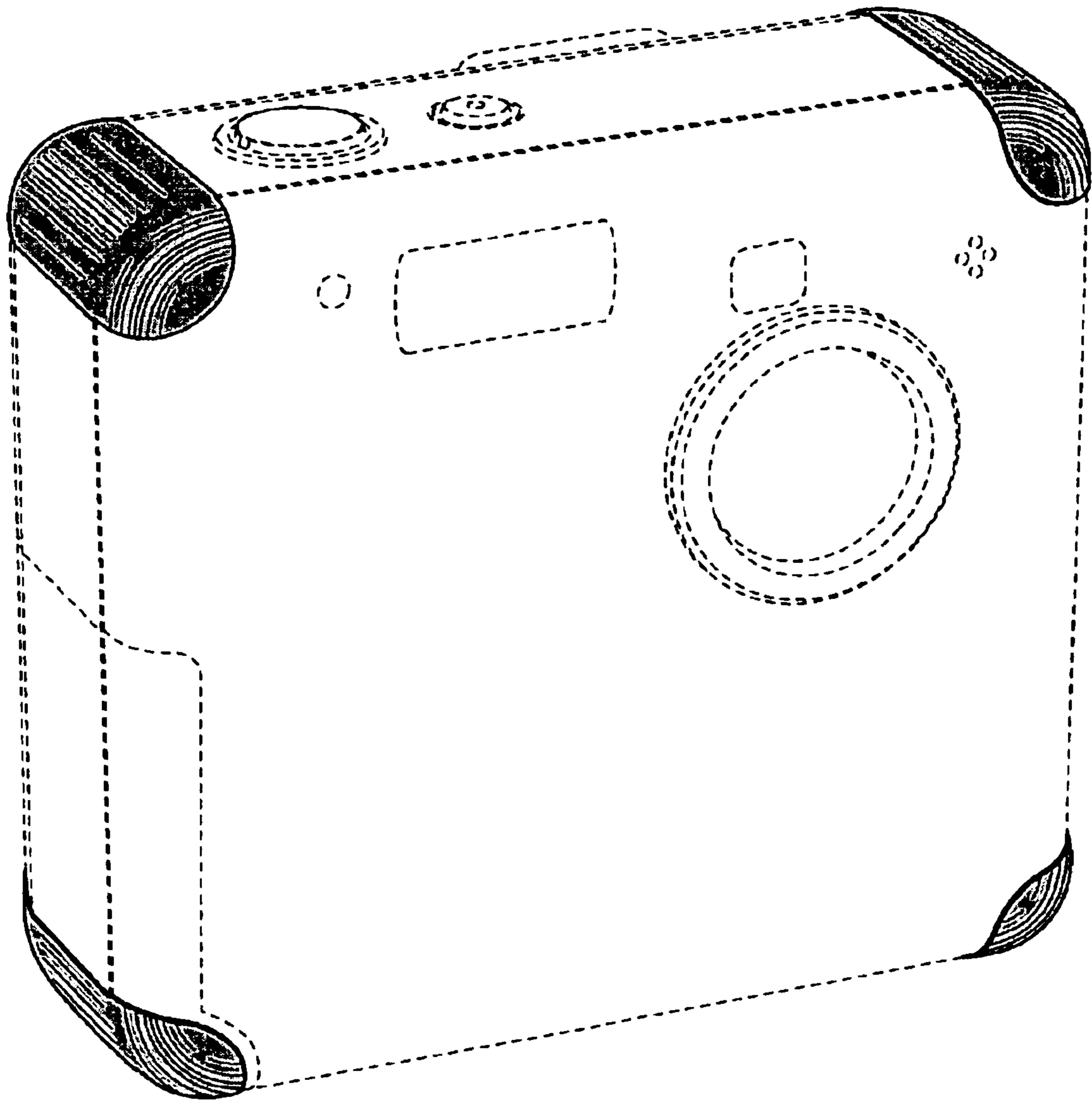


FIG. 2

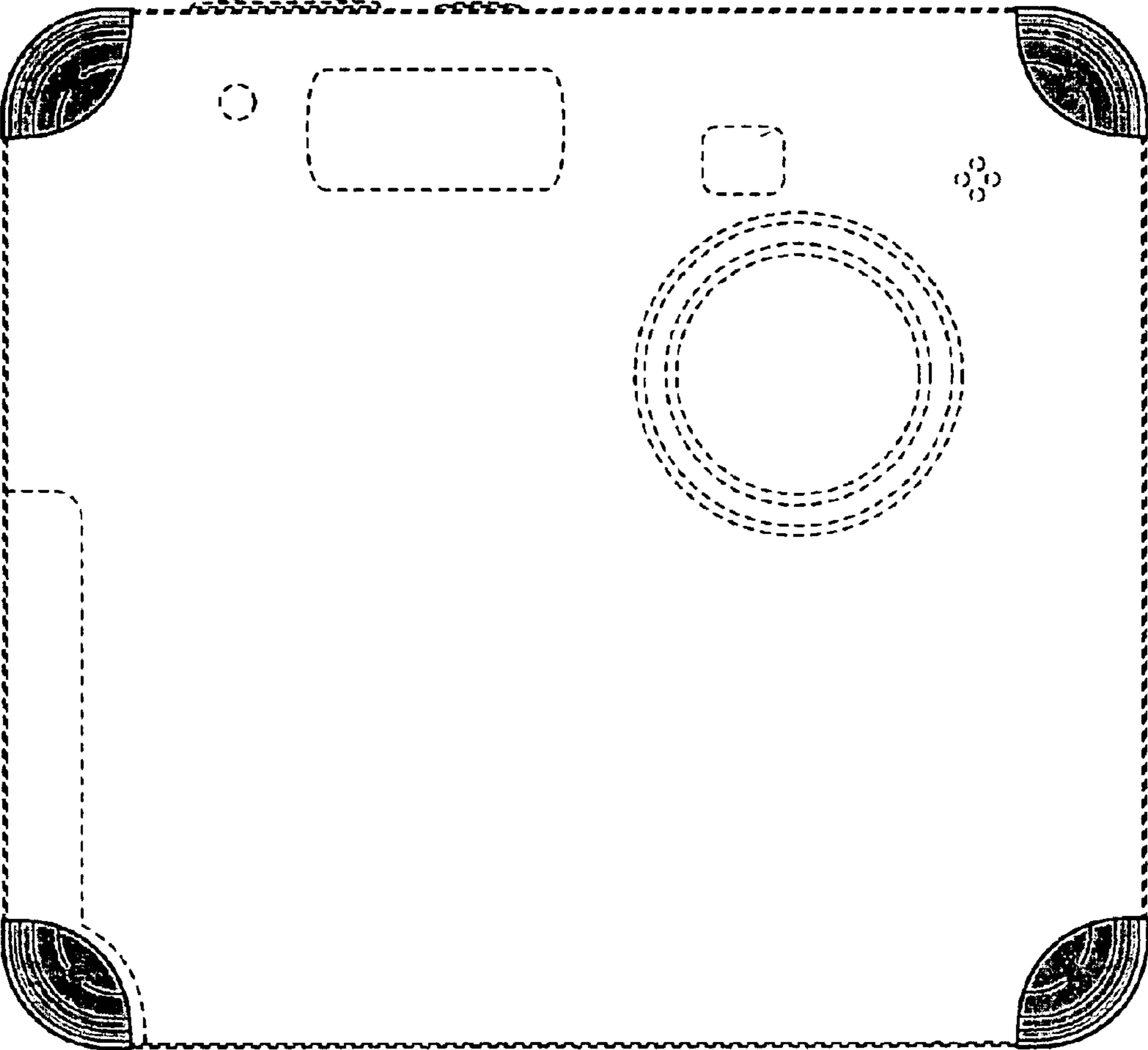


FIG. 3

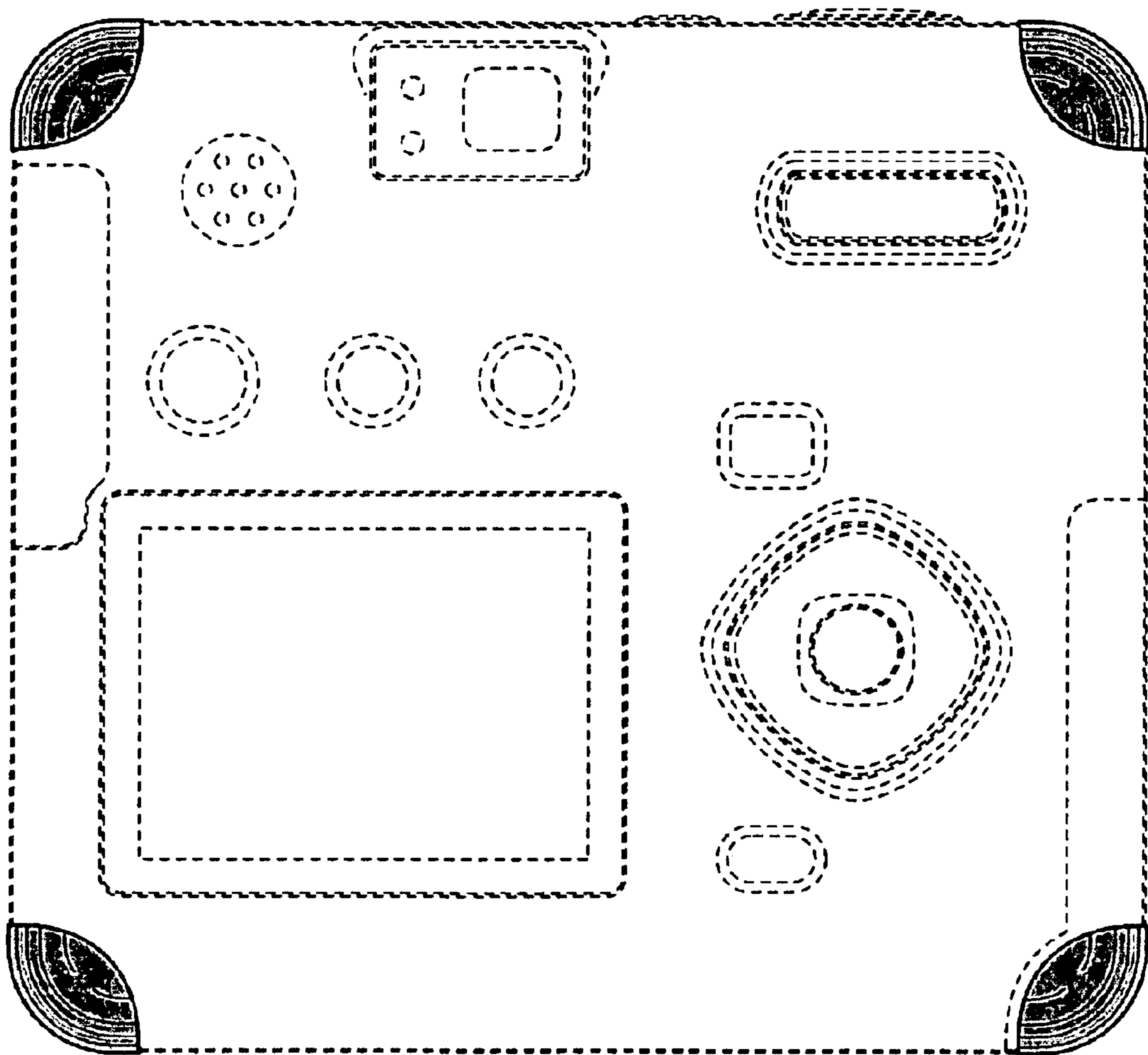


FIG. 4

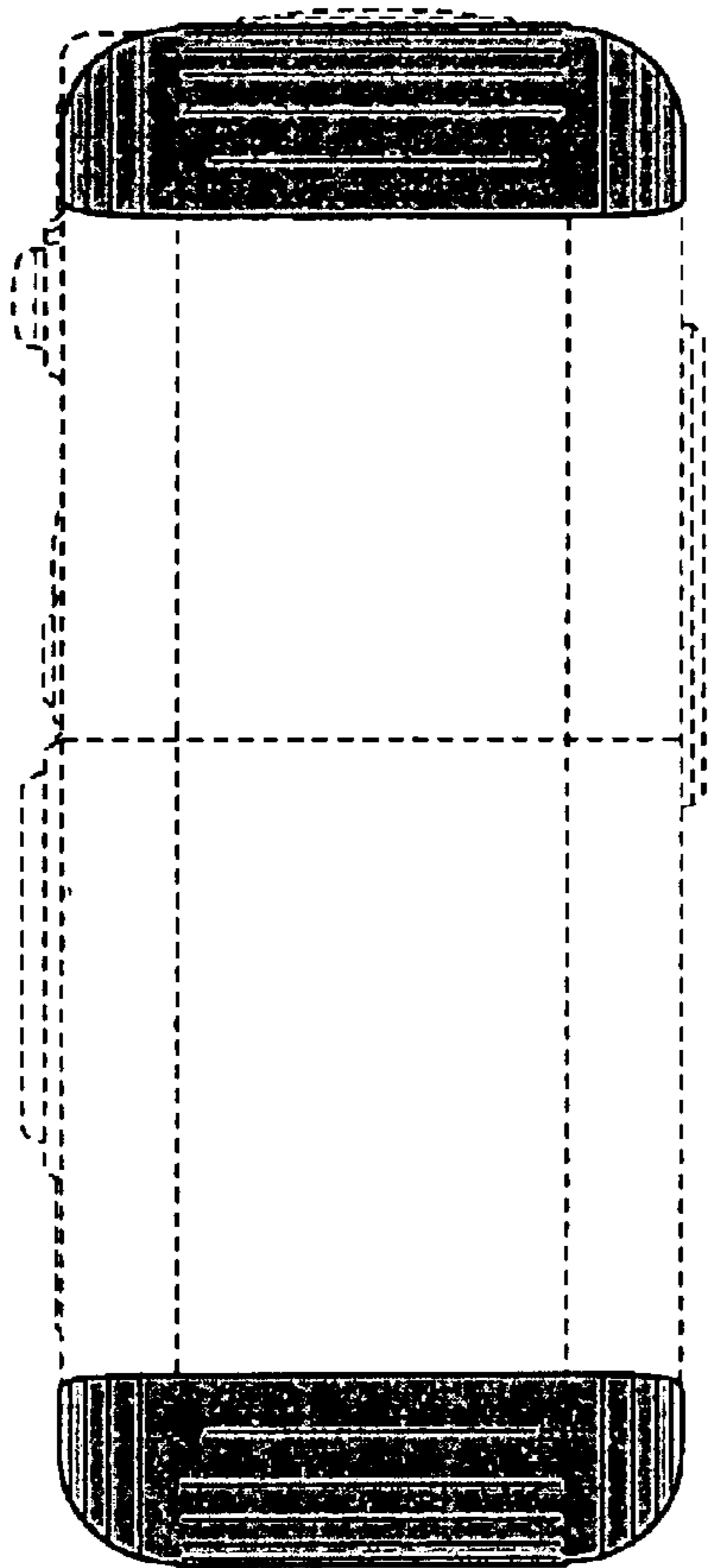


FIG. 5

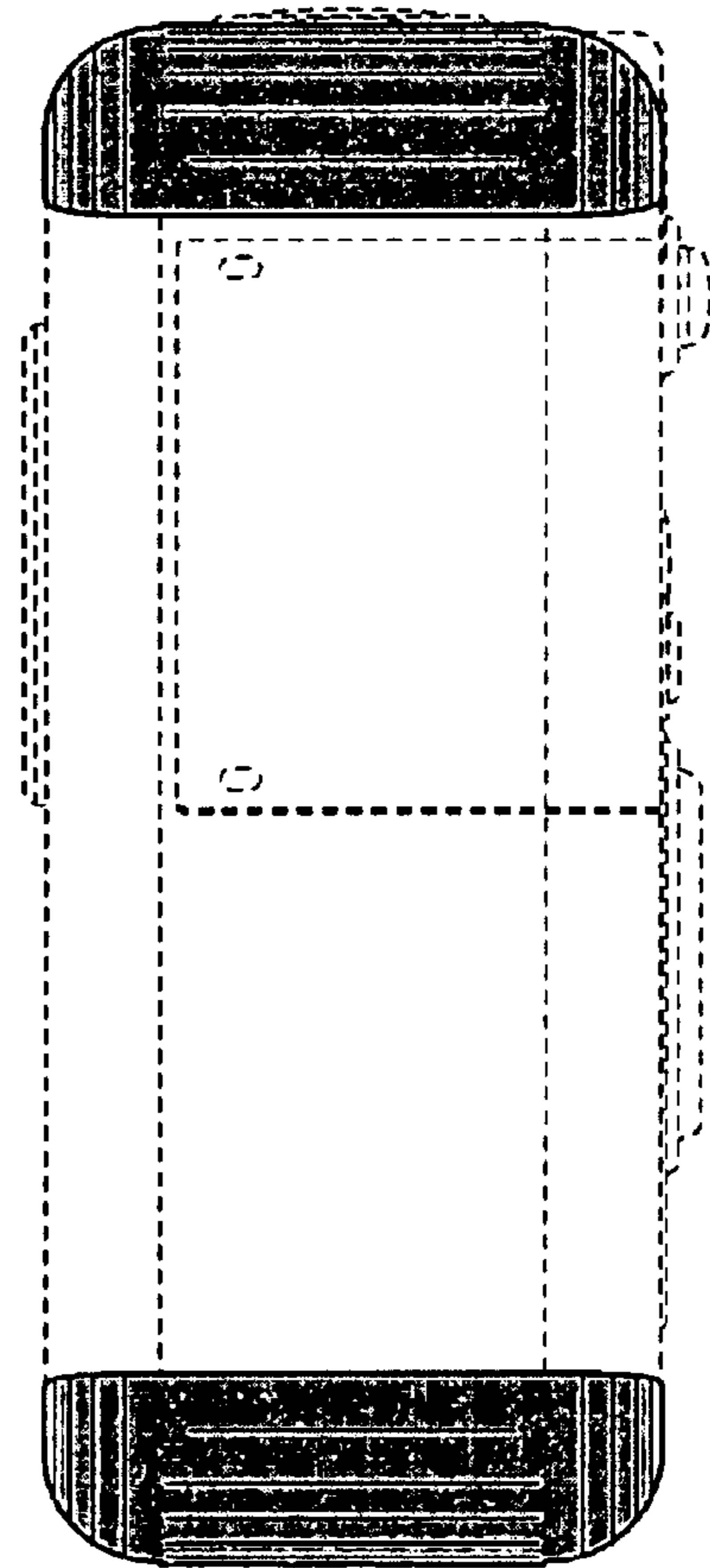


FIG. 6

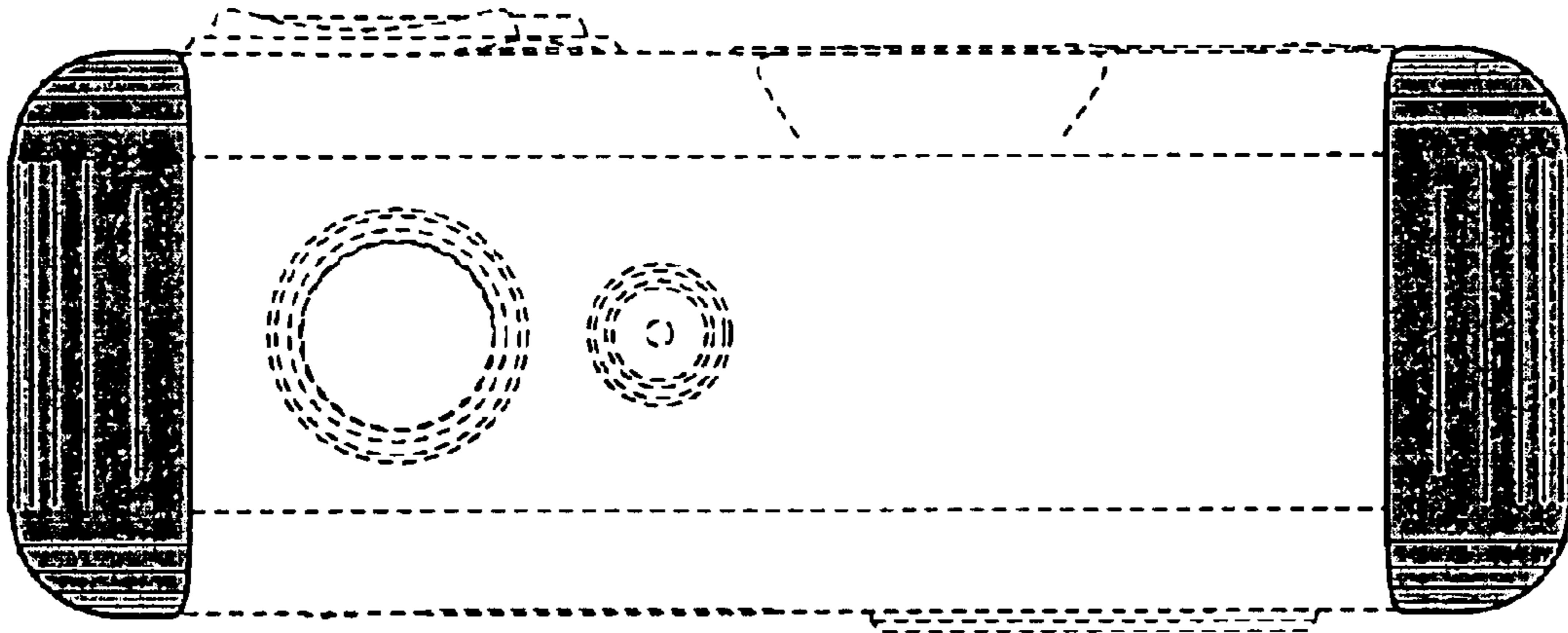


FIG. 7

