



US00D496953S1

(12) **United States Design Patent**
Wu et al.

(10) **Patent No.:** **US D496,953 S**

(45) **Date of Patent:** **** Oct. 5, 2004**

(54) **DIGITAL CAMERA**

(75) Inventors: **Wen-Ming Wu**, Taipei (TW); **Shu-Fen Ke**, Taipei (TW); **Fu-Long Hong**, Taipei (TW)

(73) Assignee: **BenQ Corporation**, Taoyuan Shien (TW)

(**) Term: **14 Years**

(21) Appl. No.: **29/198,459**

(22) Filed: **Jan. 30, 2004**

(30) **Foreign Application Priority Data**

Nov. 19, 2003 (TW) 92306994

(51) **LOC (7) Cl.** **16-01**

(52) **U.S. Cl.** **D16/202**

(58) **Field of Search** D16/200–205,
D16/208, 209, 212, 213, 218; 348/373–376;
358/909.1; 396/535–541

(56) **References Cited**

U.S. PATENT DOCUMENTS

D349,110 S * 7/1994 Ohno D16/202

D391,590 S * 3/1998 Sumita D16/202
D410,663 S * 6/1999 Ogasawara D16/202
D432,149 S * 10/2000 Sumita D16/202
6,445,417 B1 * 9/2002 Yoshida et al. 348/374
D476,023 S * 6/2003 Sumita D16/202

* cited by examiner

Primary Examiner—Adir Aronovich

(74) *Attorney, Agent, or Firm*—Rabin & Berdo, P.C.

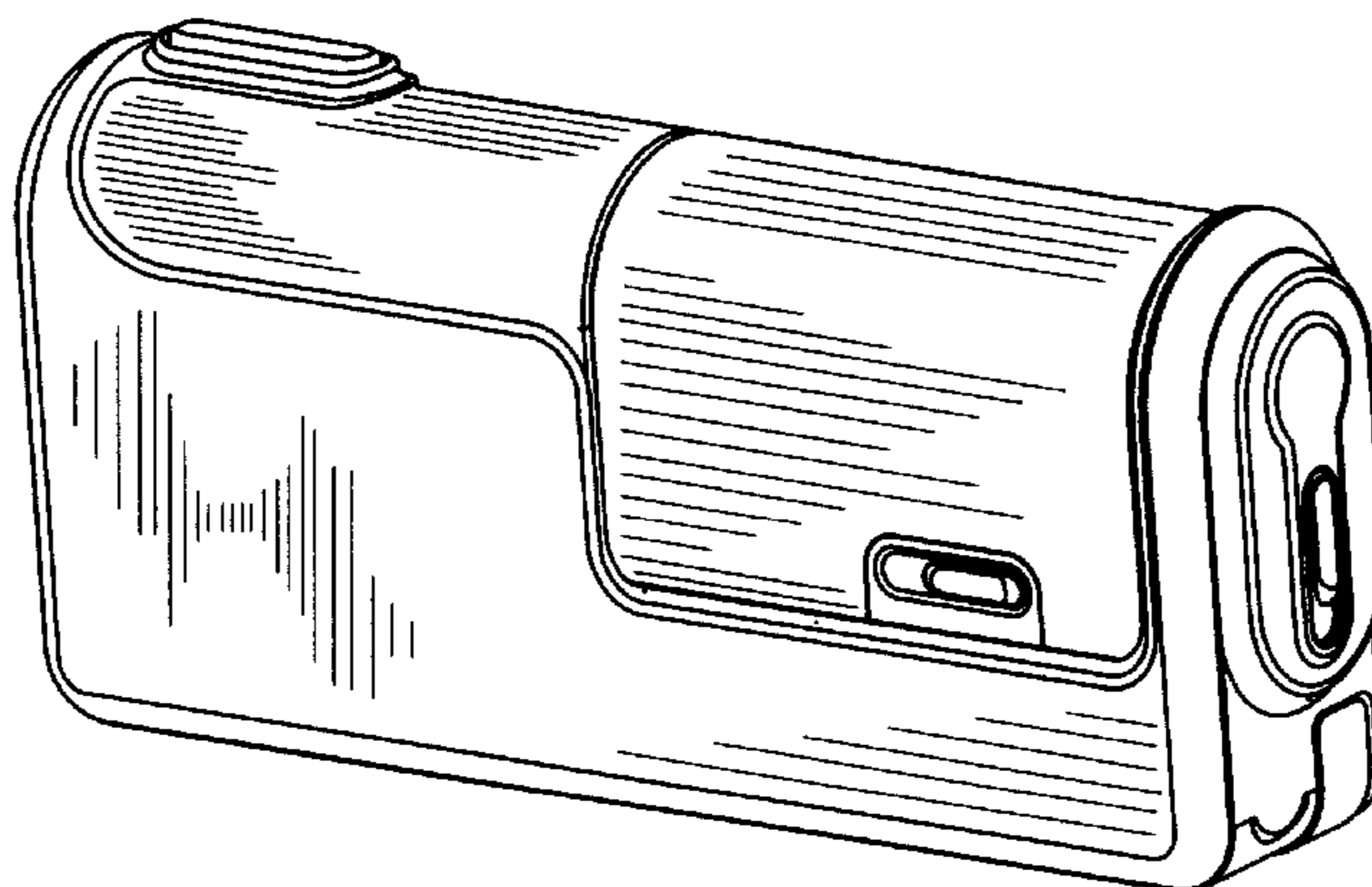
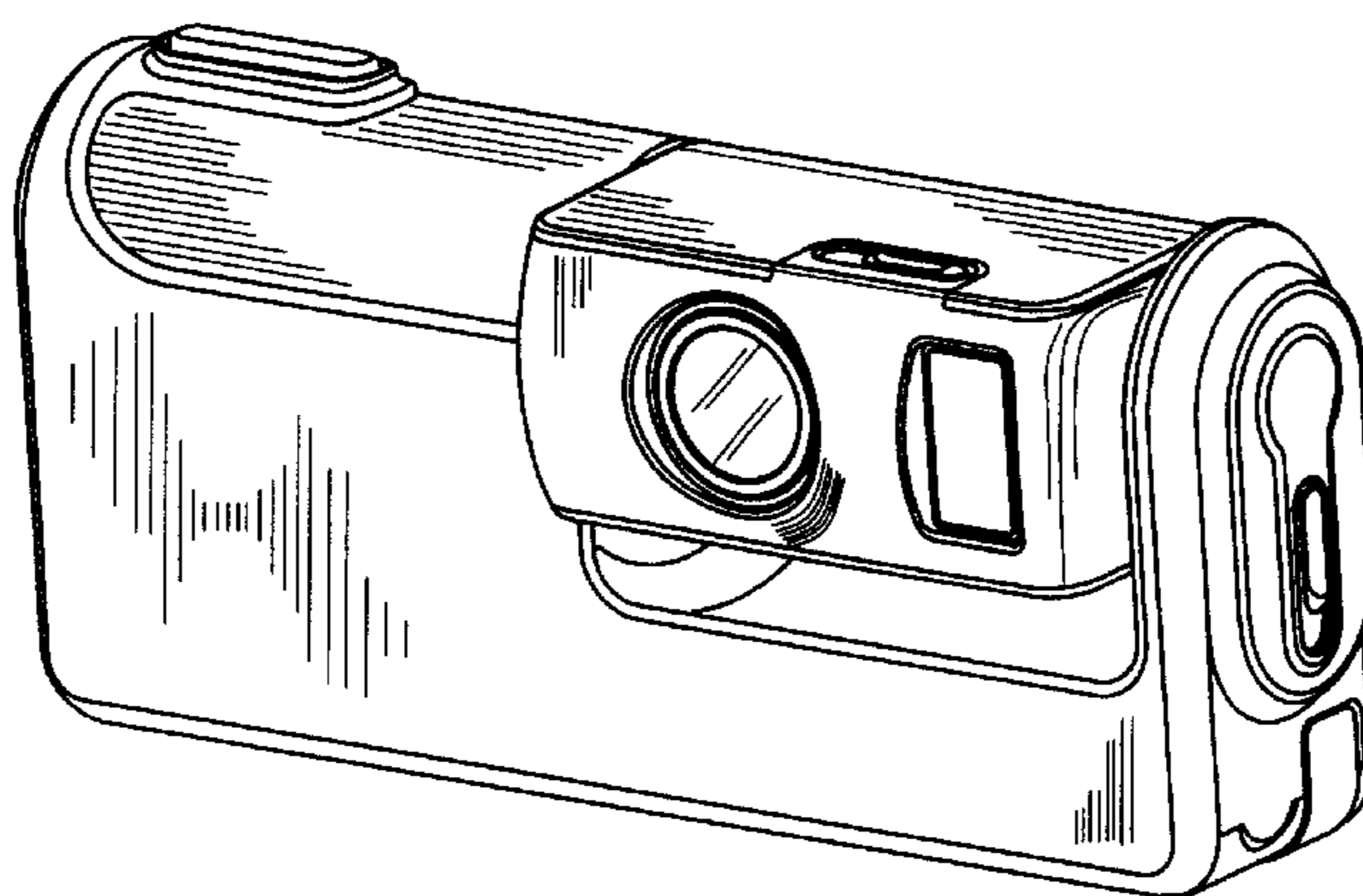
(57) **CLAIM**

The ornamental design for a digital camera, as shown and described.

DESCRIPTION

FIG. 1 is a perspective view of the front, top and right side of a digital camera showing our new design; FIG. 2 is a front elevational view thereof; FIG. 3 is a left side elevational view thereof; FIG. 4 is a right side elevational view thereof; FIG. 5 is a top plan view thereof; FIG. 6 is a bottom plan view thereof; FIG. 7 is a rear elevational view thereof; and, FIG. 8 is a perspective view of the front, top and left side thereof with a camera lens in the closed position.

1 Claim, 8 Drawing Sheets



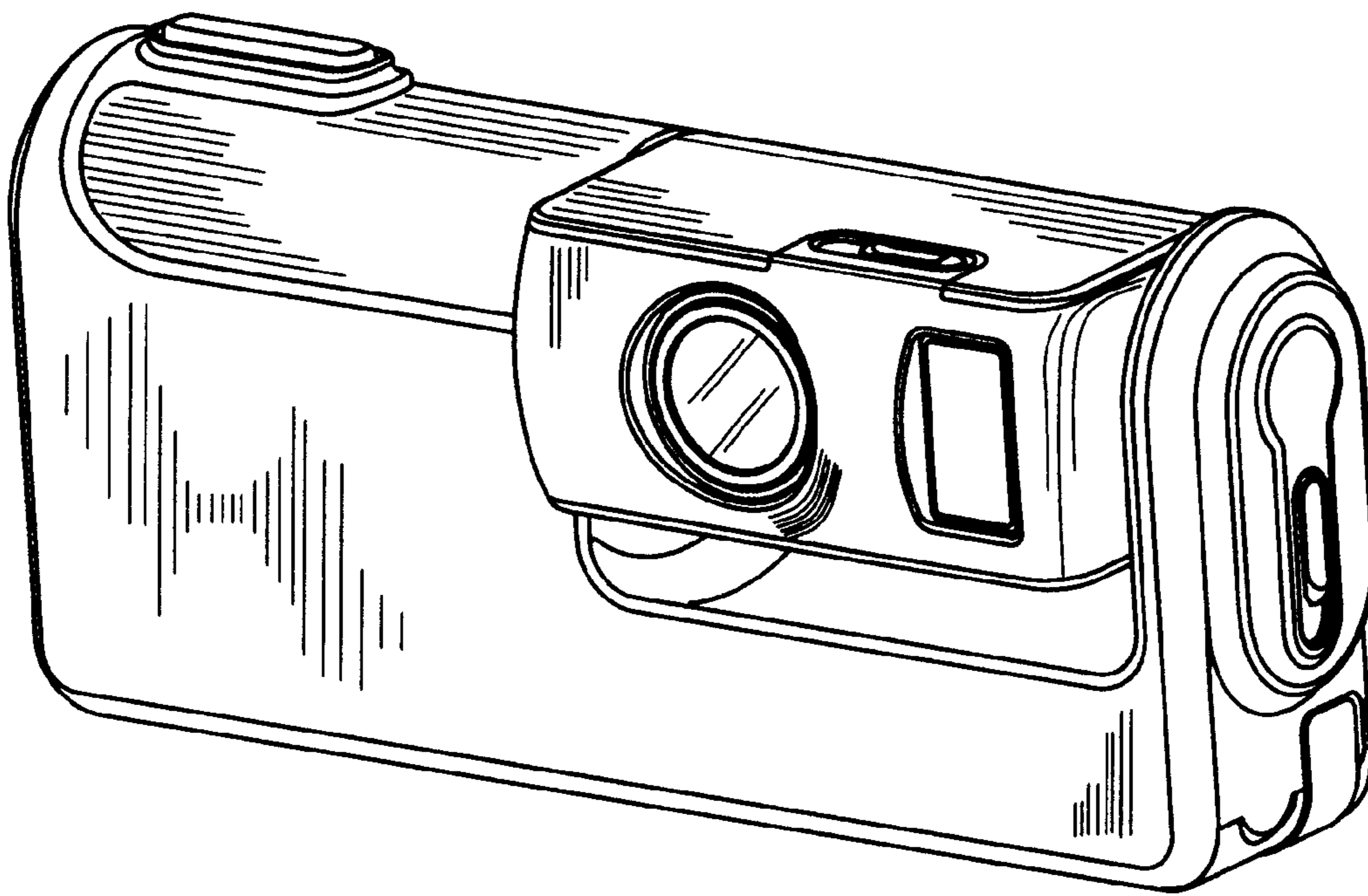


FIG. 1

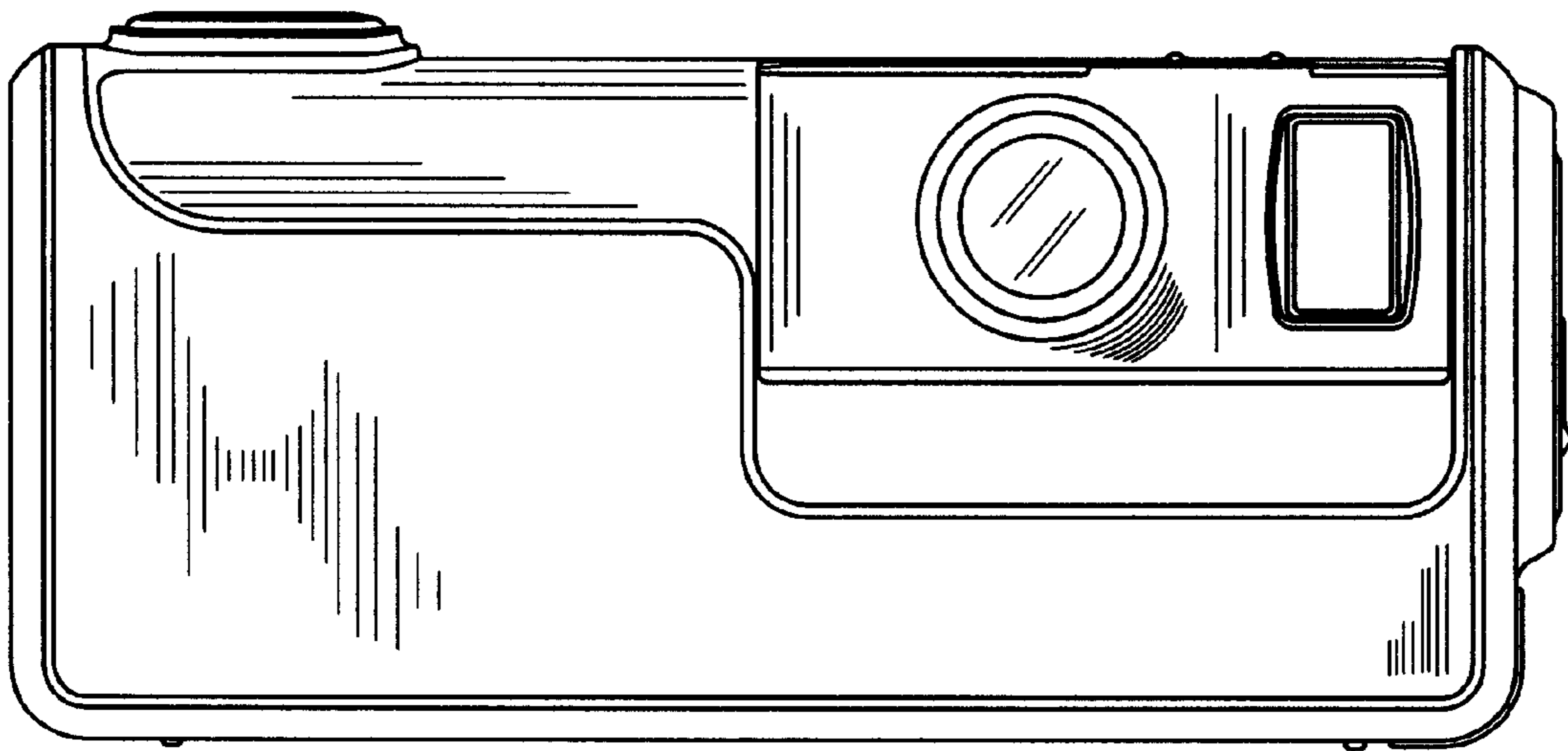


FIG. 2

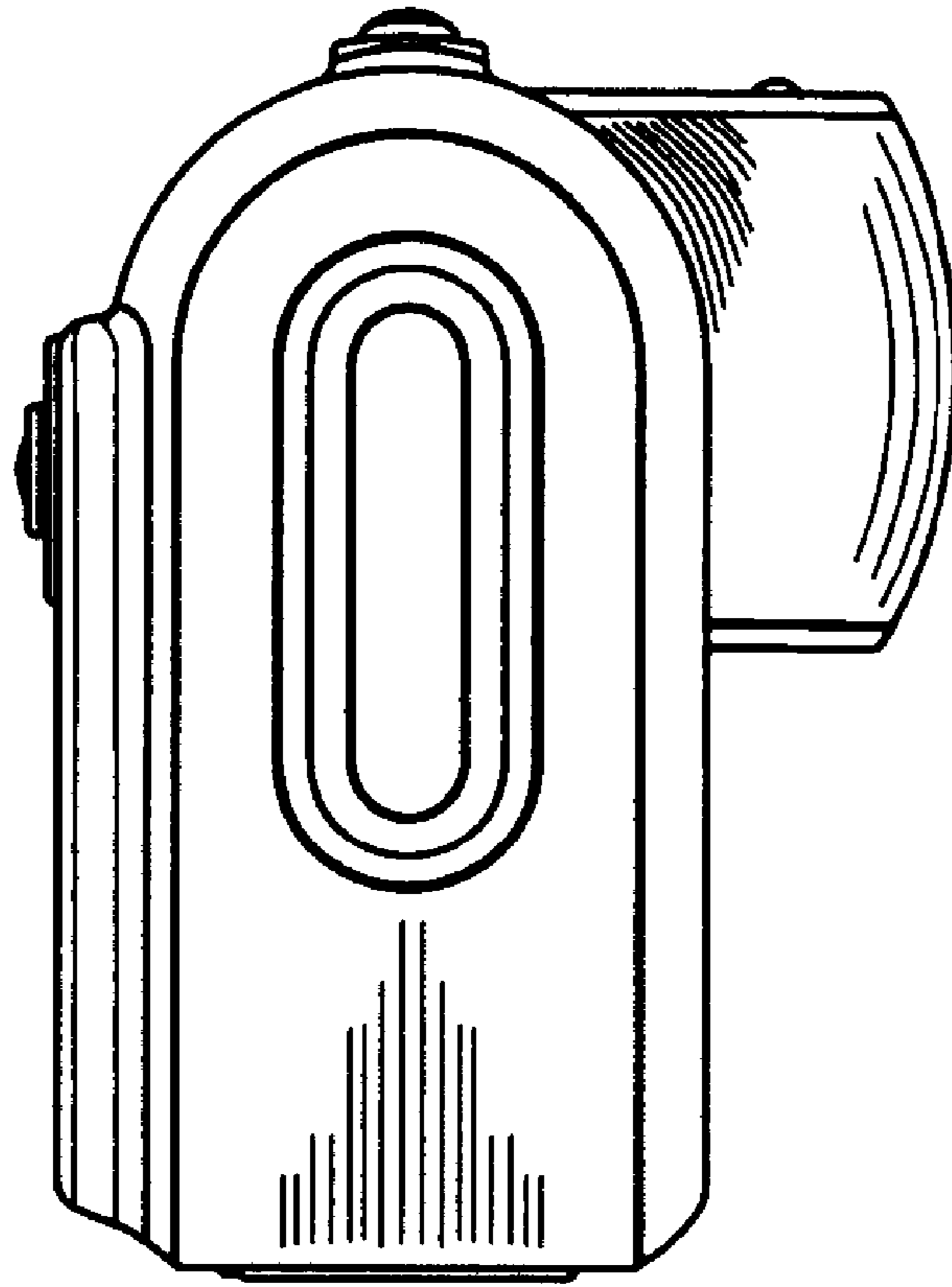


FIG. 3

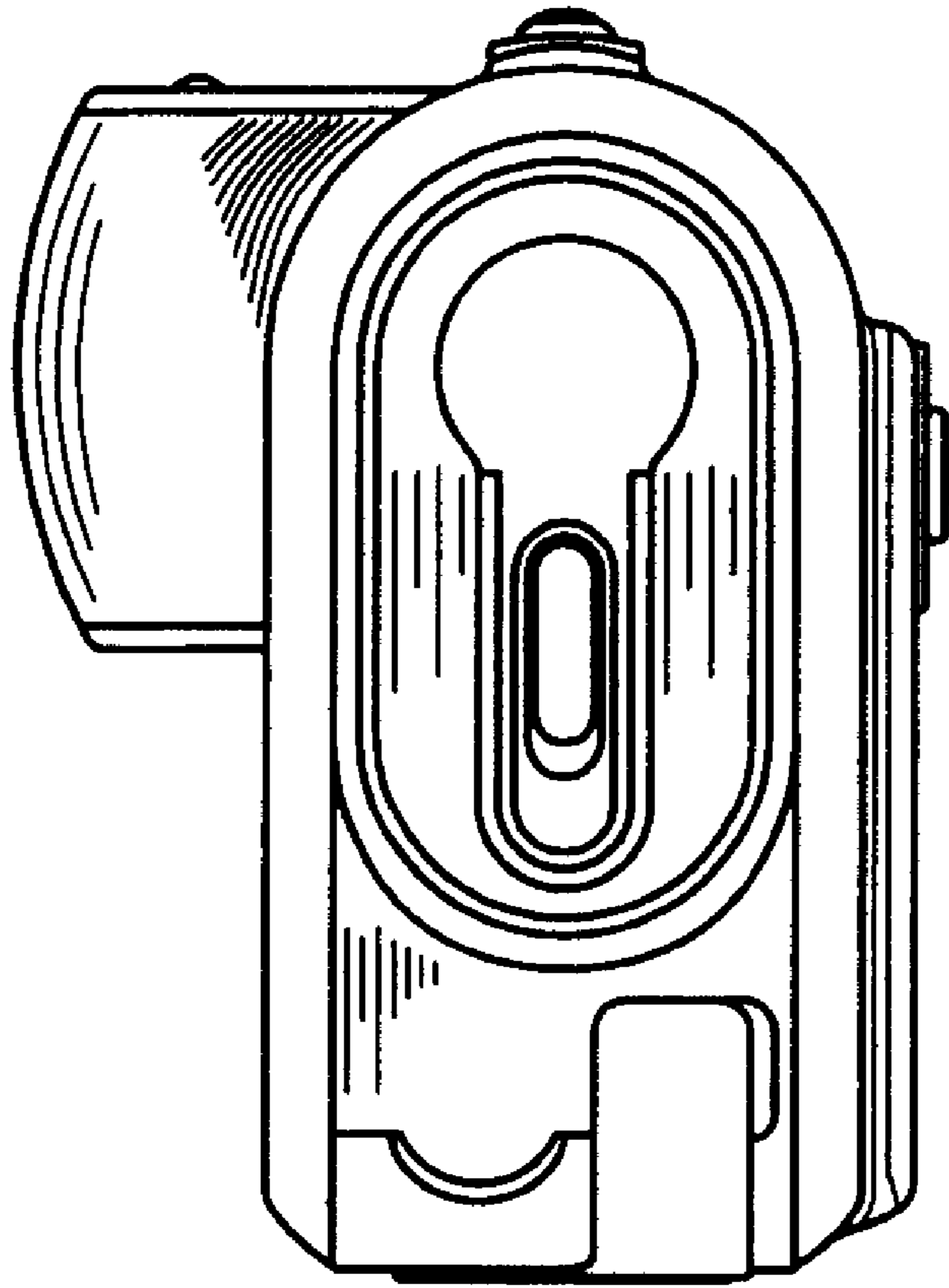


FIG. 4

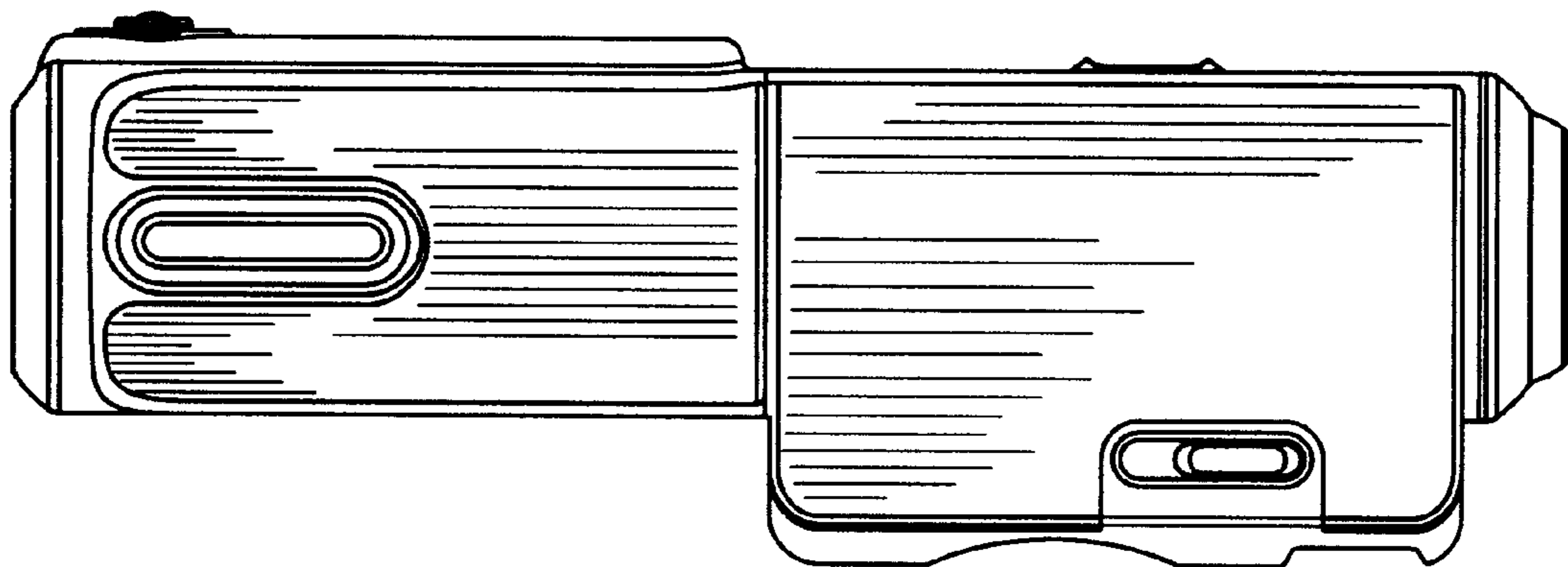


FIG. 5

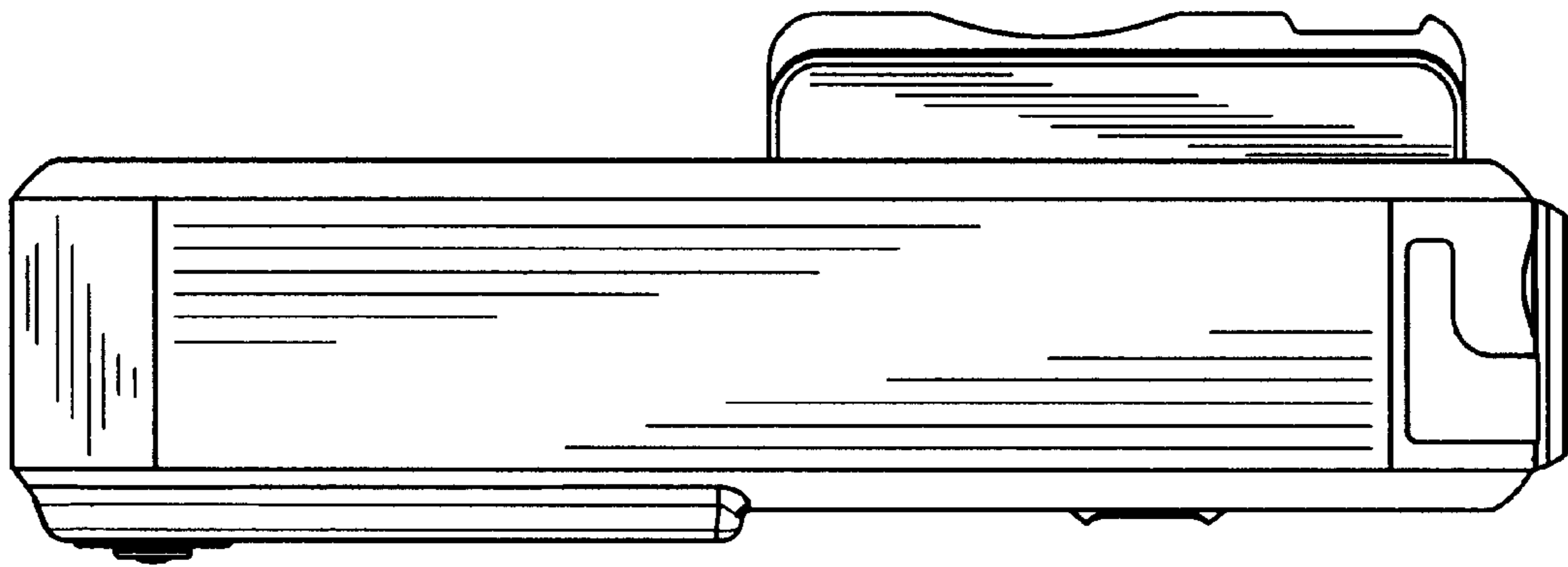


FIG. 6

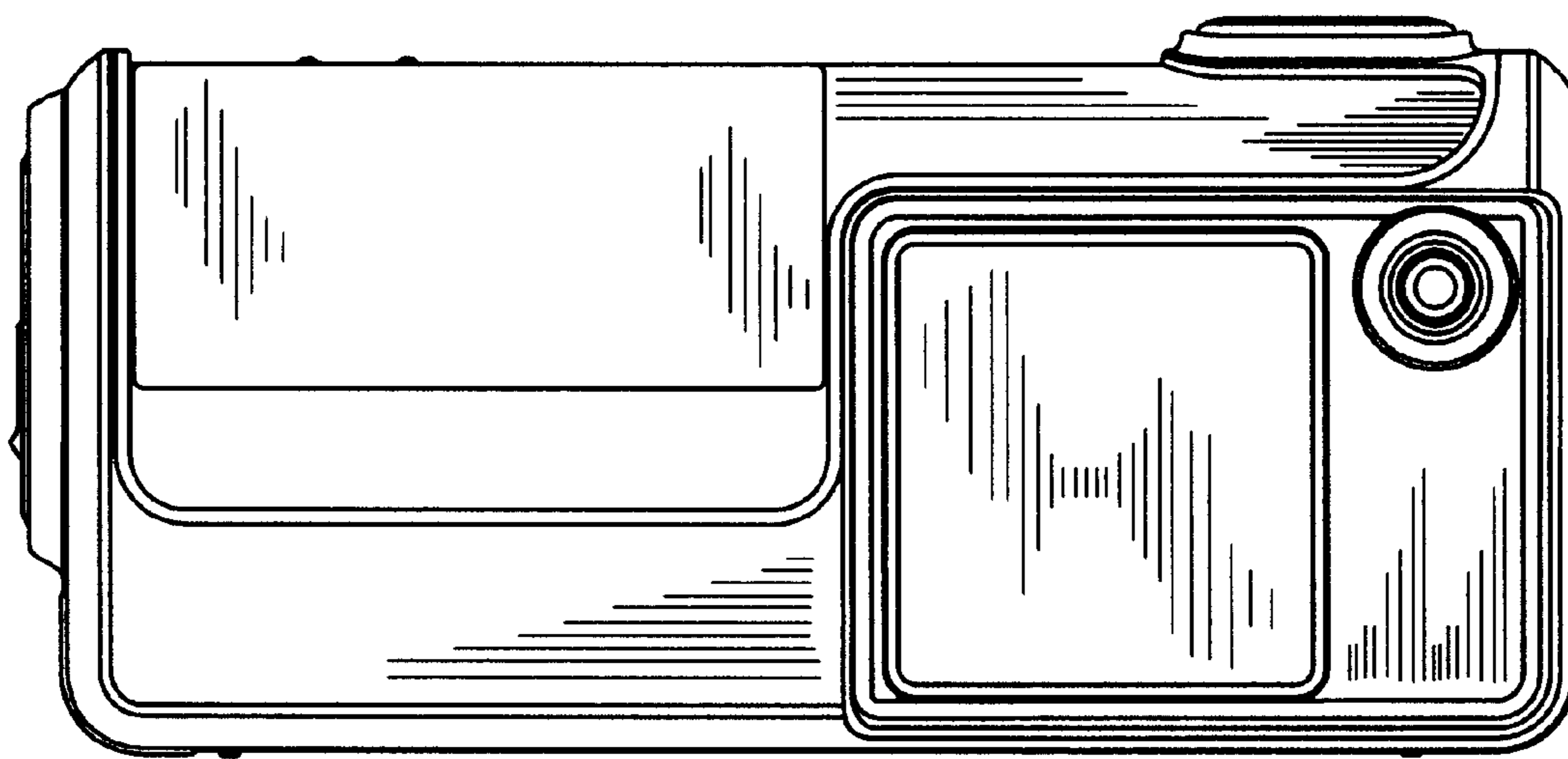


FIG. 7

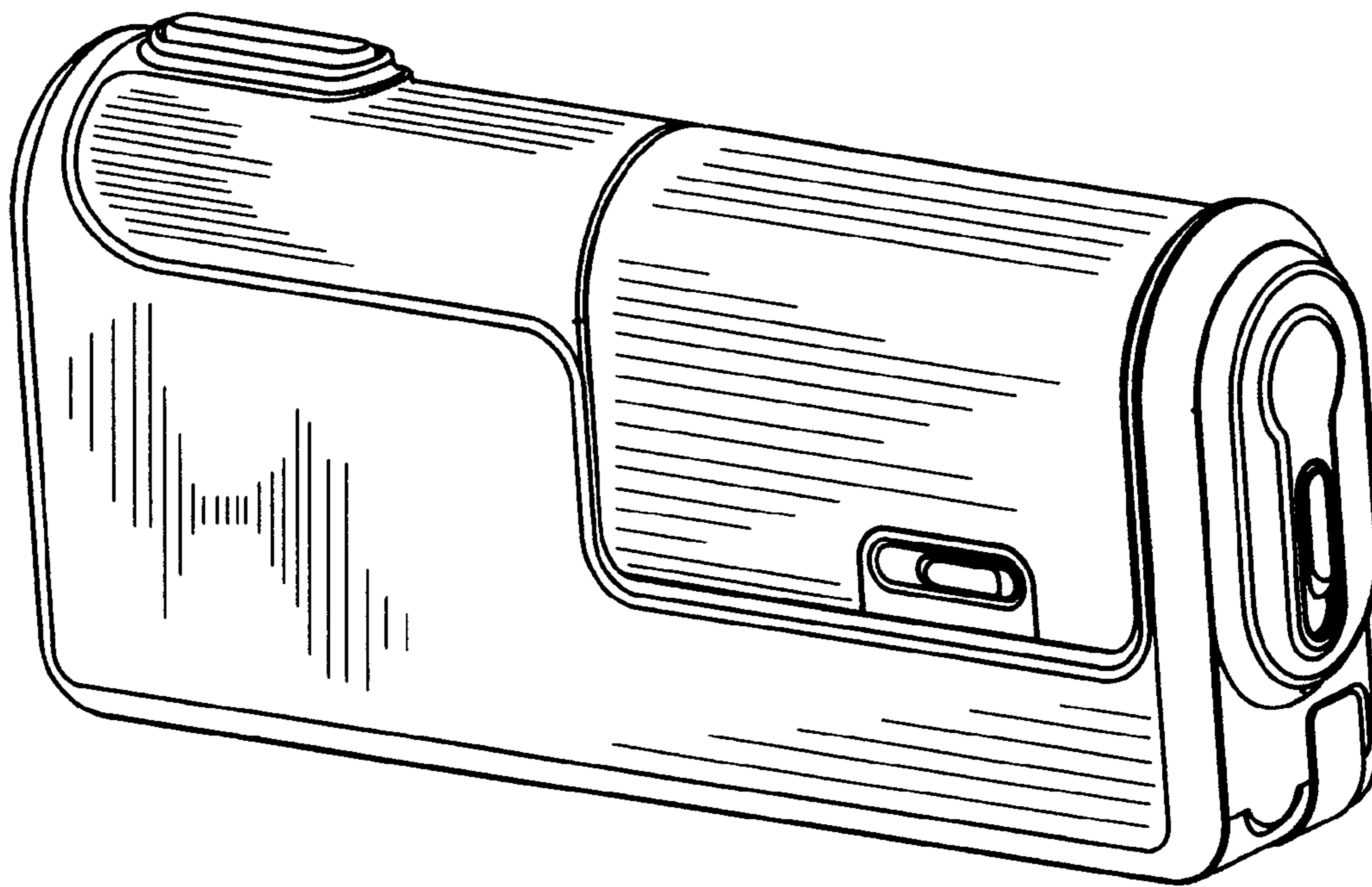


FIG. 8