

US00D496948S1

(12) **United States Design Patent** (10) **Patent No.:** **US D496,948 S**
Charland et al. (45) **Date of Patent:** **** Oct. 5, 2004**

(54) **SQUARE DRILL BIT**

FOREIGN PATENT DOCUMENTS

(76) Inventors: **Luc Charland**, 1553, O'Reilly Street,
Sherbrooke, Quebec (CA), J1J 1C2;
Roger Charland, 1553, O'Reilly Street,
Sherbrooke, Quebec (CA), J1J 1C2

EP 0 358 786 A1 3/1990

(**) Term: **14 Years**

OTHER PUBLICATIONS

(21) Appl. No.: **29/183,431**

Concentrix Overburden Drilling System.
Outils de forage Sandvik Coromant TUBEX.
Centrex.
Stratex Drill Systems.
Symmetrix For drilling of tube umbrella.

(22) Filed: **Jun. 12, 2003**

* cited by examiner

(51) **LOC (7) Cl.** **15-09**

Primary Examiner—Antoine D. Davis

(52) **U.S. Cl.** **D15/139**

(57) **CLAIM**

(58) **Field of Search** D15/139; 175/292,
175/296, 300, 385, 386, 320, 414

The ornamental design for a square drill bit, as shown and described.

(56) **References Cited**

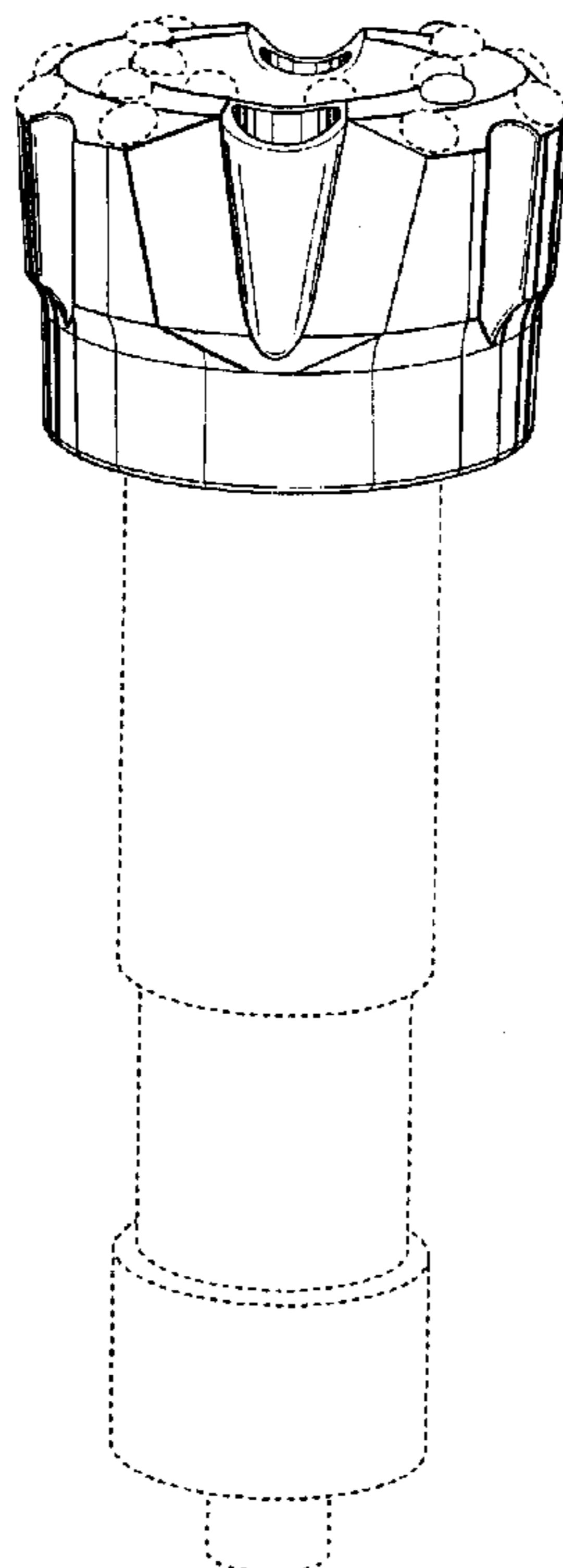
DESCRIPTION

U.S. PATENT DOCUMENTS

3,870,114 A	3/1975	Pulk et al.	
4,765,416 A	8/1988	Bjerkling et al.	
5,259,469 A	* 11/1993	Stjernstrom et al. 175/385
5,435,401 A	7/1995	Hedlund et al.	
5,542,483 A	8/1996	Edman	
5,590,726 A	1/1997	Jarvela et al.	
5,839,519 A	11/1998	Spedale, Jr.	
5,921,332 A	7/1999	Spedale, Jr.	
5,934,394 A	8/1999	Fareham	
5,957,224 A	9/1999	Ilomaki	
6,021,856 A	2/2000	Pascale	
6,076,618 A	* 6/2000	.ANG.sberg 175/385
6,102,141 A	8/2000	Engstrom et al.	
6,112,835 A	9/2000	Grafe et al.	
6,182,776 B1	2/2001	Asberg	
6,658,968 B2	* 12/2003	Linden et al. 76/108.2

FIG. 1 is a perspective view of a square drill bit according to the present invention;
FIG. 2 is a top plan view of the square drill bit of FIG. 1;
FIG. 3 is a front view of the square drill bit of FIG. 1;
FIG. 4 is a back view of the square drill bit of FIG. 1;
FIG. 5 is a left side view of the square drill bit of FIG. 1;
FIG. 6 is a right side view of the square drill bit of FIG. 1;
and,
FIG. 7 is a perspective view of the driver drill bit of FIG. 1 in co-operation with a crown bit, wherein the broken lines illustrate components that form no part of the design.
The broken lines in the figures are for illustrative purposes only and form no part of the claimed design.

1 Claim, 7 Drawing Sheets



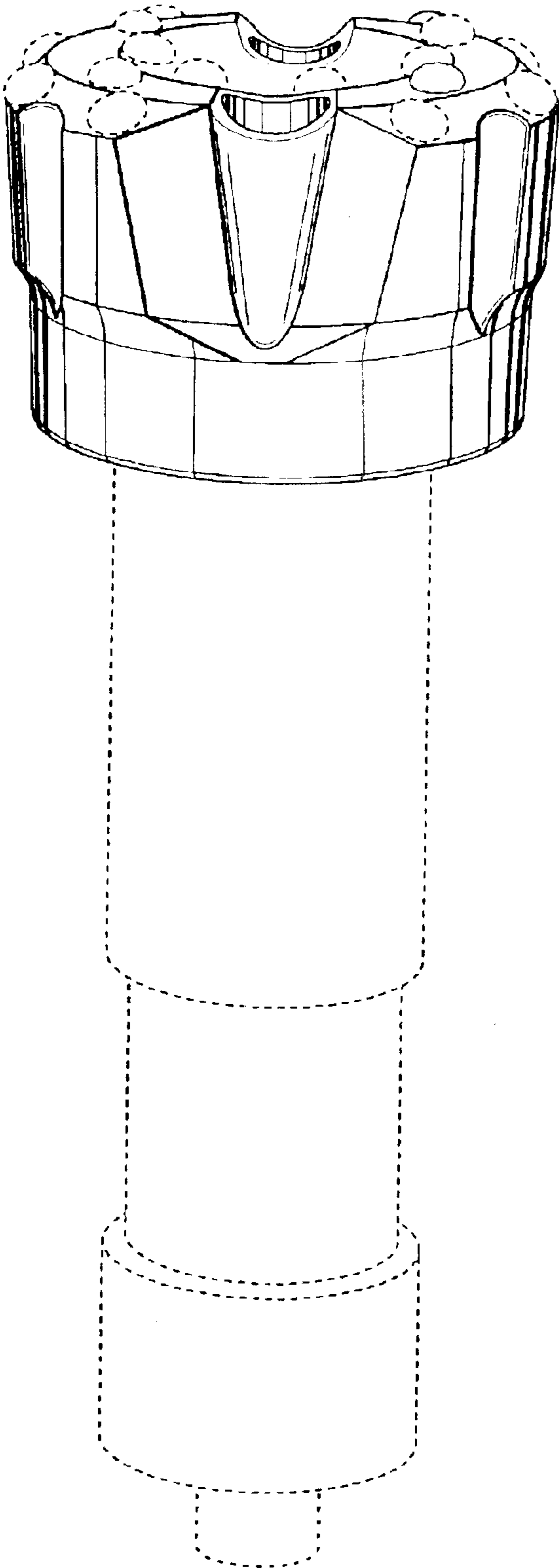


FIG. 1

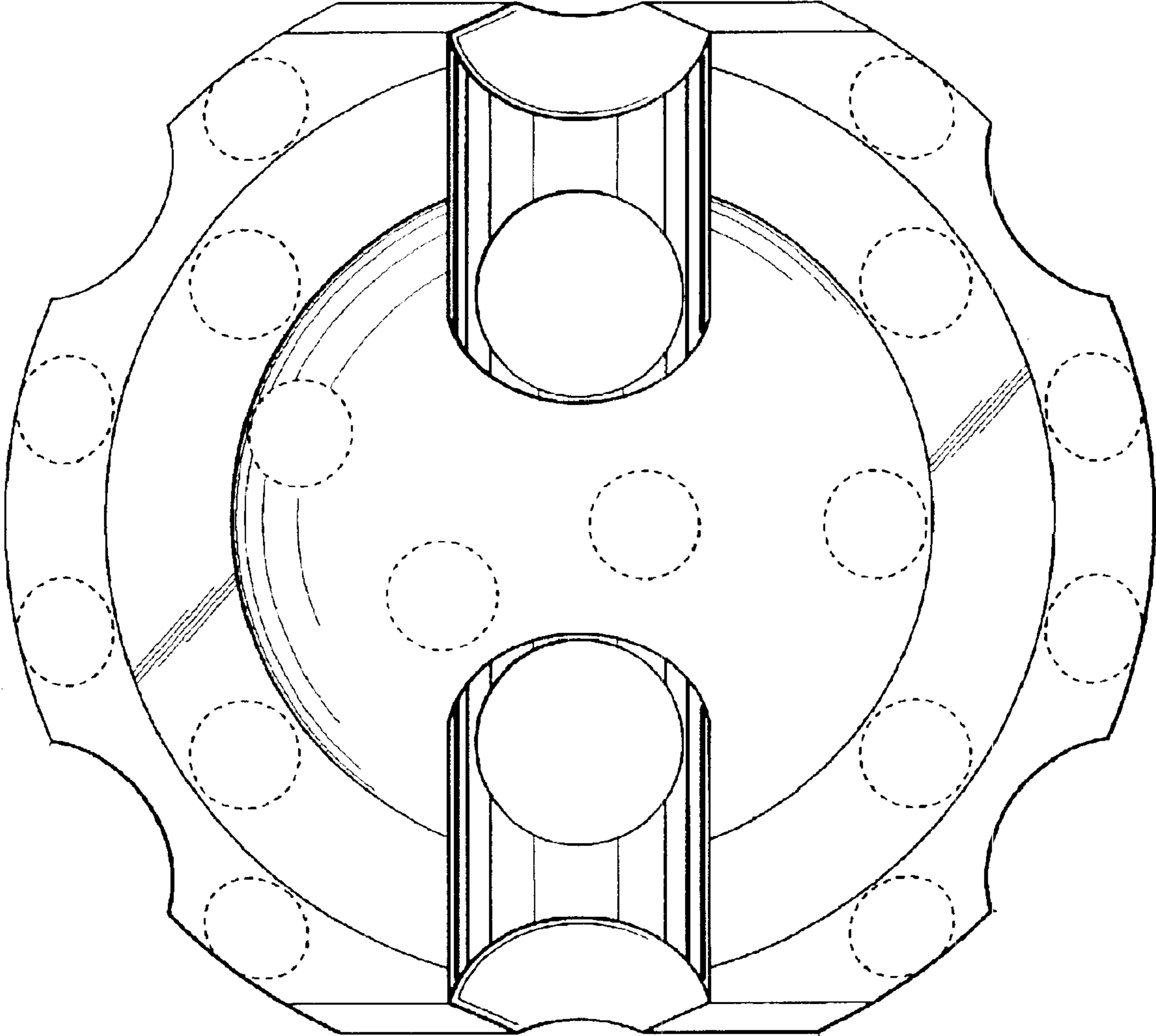


FIG. 2

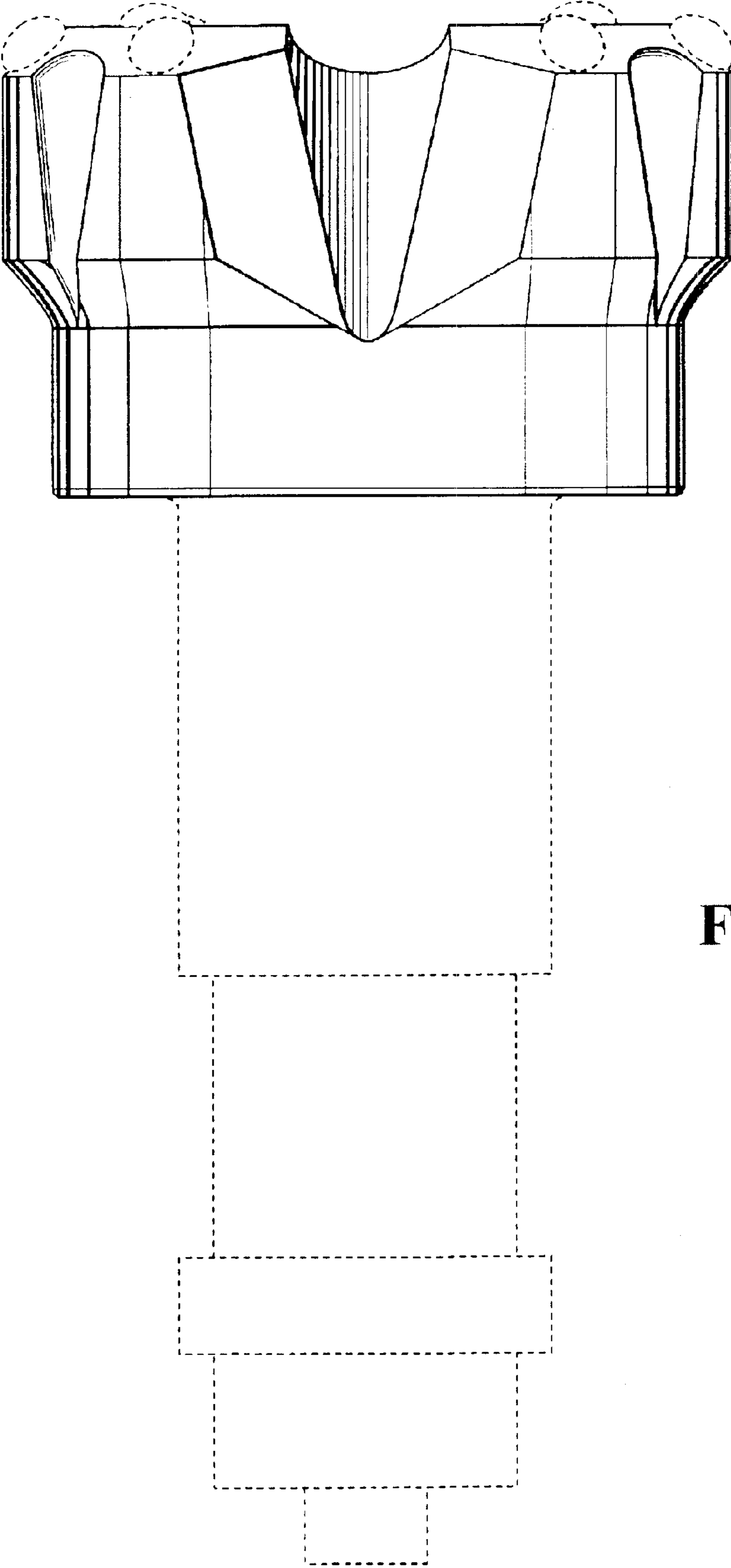


FIG. 3

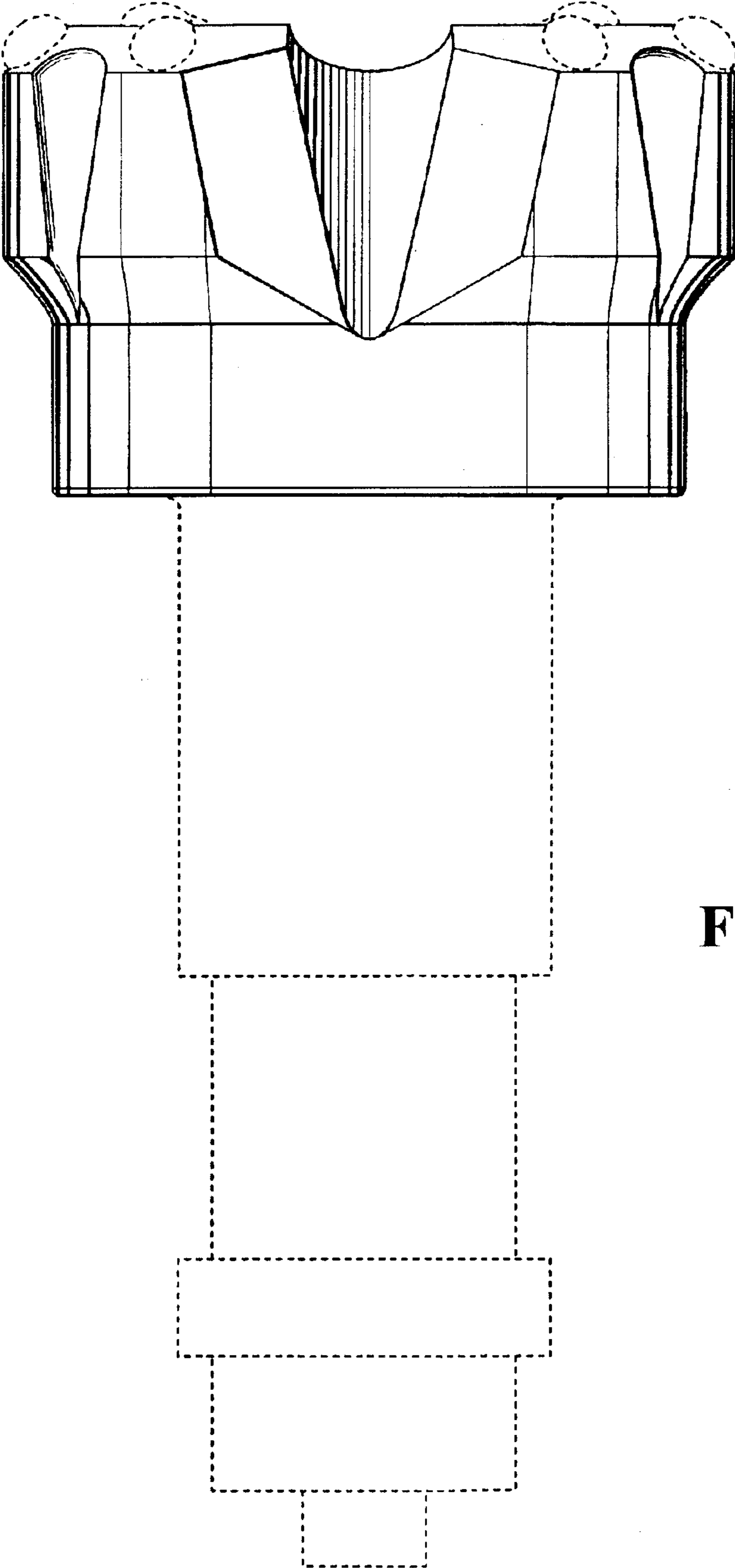


FIG. 4

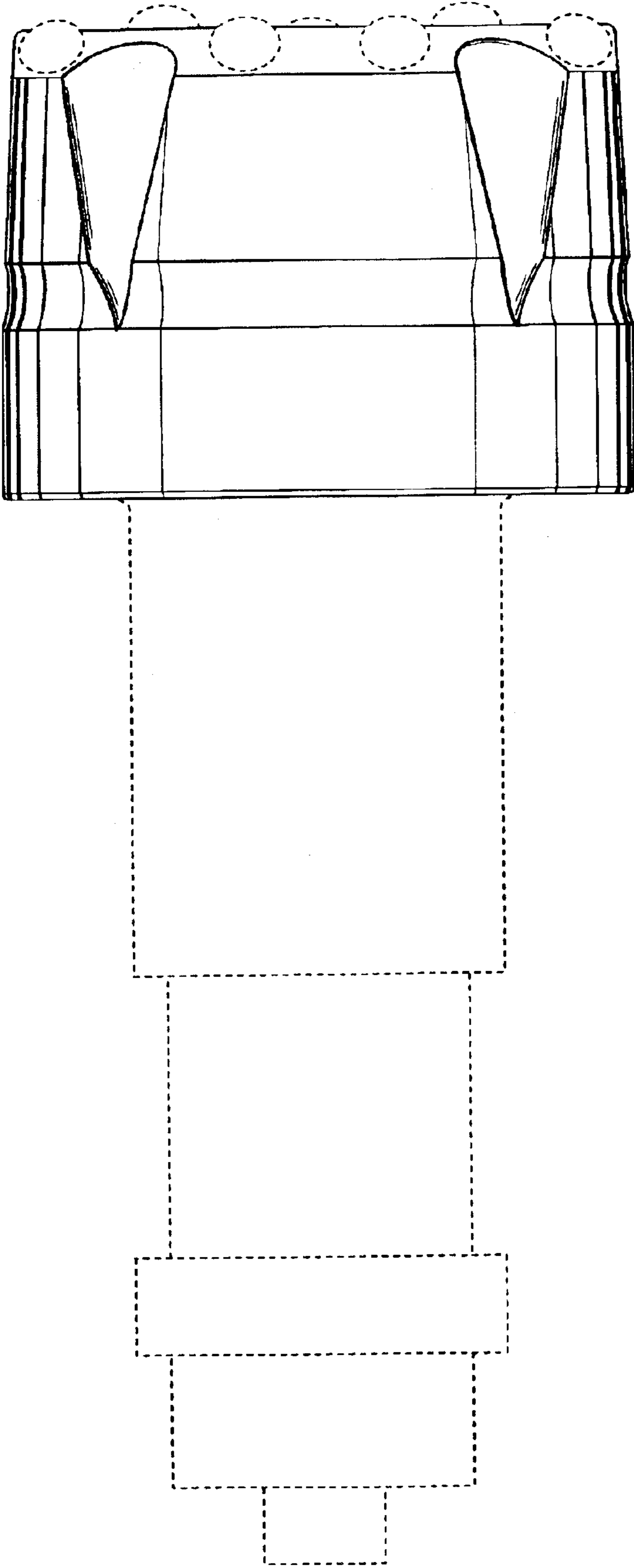


FIG. 5

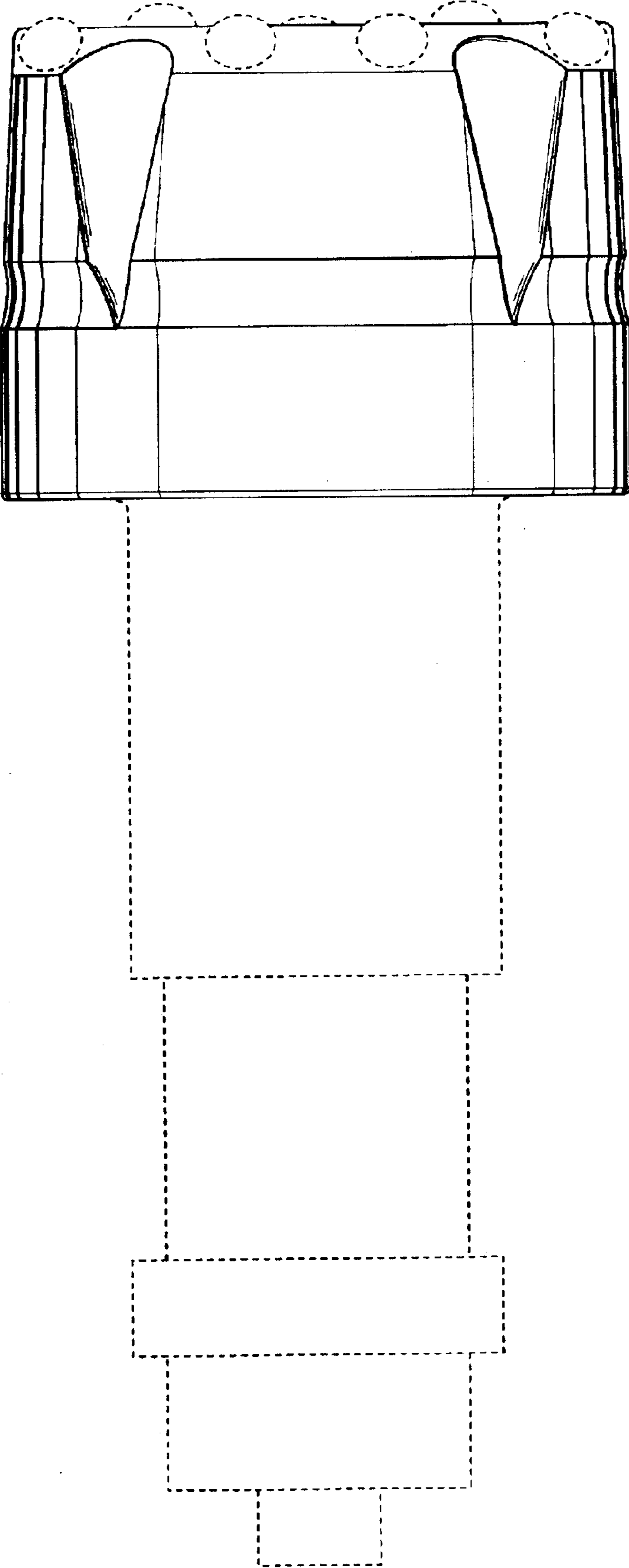


FIG. 6

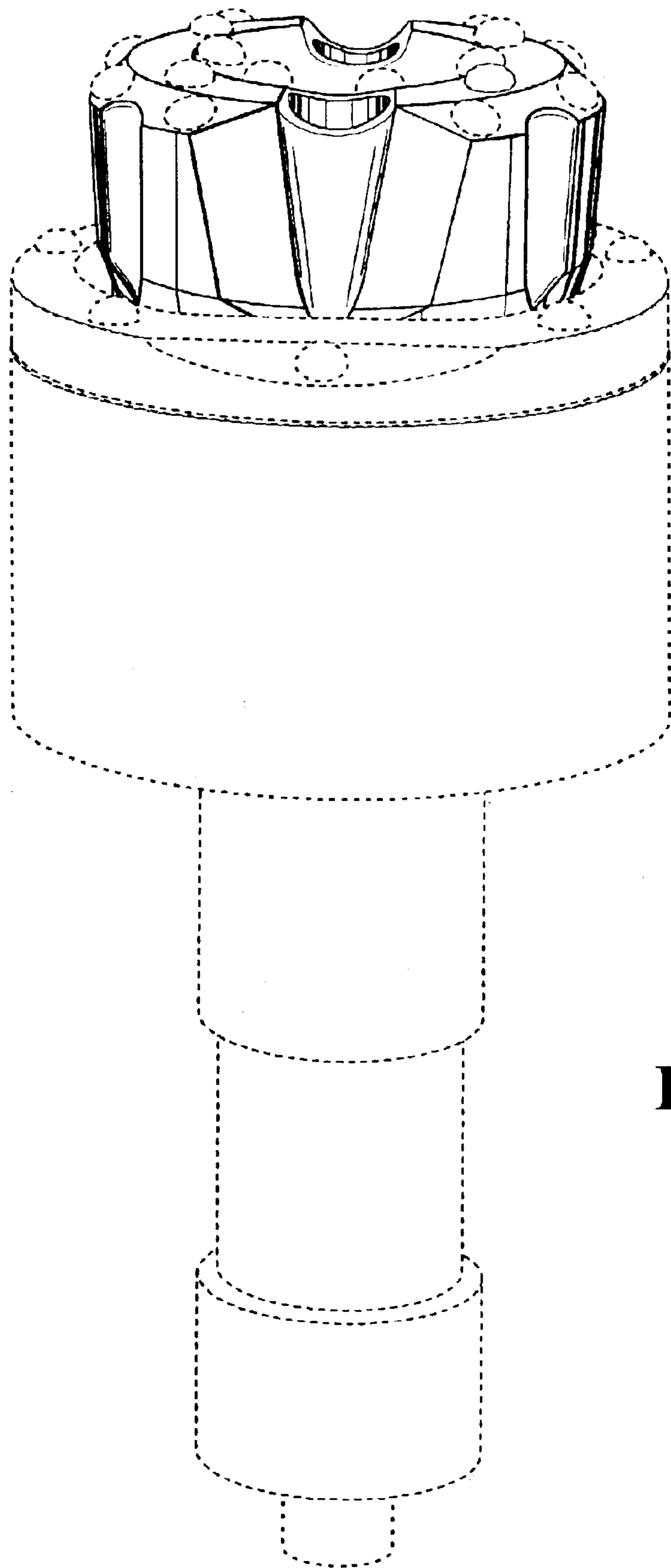


FIG. 7

UNITED STATES PATENT AND TRADEMARK OFFICE
CERTIFICATE OF CORRECTION

PATENT NO. : Des. 496,948 S
DATED : October 5, 2004
INVENTOR(S) : Luc Charland et al.

Page 1 of 1

It is certified that error appears in the above-identified patent and that said Letters Patent is hereby corrected as shown below:

Title page,

DESCRIPTION,

Fig. 1, the term "present invention" should read -- present design --

Fig. 7, the term "driver drill bit" should read -- square drill bit --

Signed and Sealed this

Fifth Day of April, 2005

A handwritten signature in black ink on a light gray dotted background. The signature reads "Jon W. Dudas" in a cursive style.

JON W. DUDAS

Director of the United States Patent and Trademark Office