

US00D496947S1

(12) **United States Design Patent**
Baulk

(10) **Patent No.:** **US D496,947 S**

(45) **Date of Patent:** **** Oct. 5, 2004**

(54) **LATHE**
(75) **Inventor:** **Ian Baulk**, Littletown (GB)
(73) **Assignee:** **600 UK Limited**, Leeds (GB)
(**) **Term:** **14 Years**

D445,807 S * 7/2001 Baulk D15/127
6,609,441 B1 * 8/2003 Sugimoto et al. 74/813 L
6,640,678 B2 * 11/2003 Kumano 82/129
6,655,246 B2 * 12/2003 Grossmann 82/117

* cited by examiner

Primary Examiner—Antoine D. Davis
(74) *Attorney, Agent, or Firm*—Workman Nydegger

(21) **Appl. No.:** **29/187,134**
(22) **Filed:** **Jul. 28, 2003**

(57) **CLAIM**

The ornamental design for a lathe, as shown and described.

(30) **Foreign Application Priority Data**

DESCRIPTION

May 1, 2003 (GB) 3012515

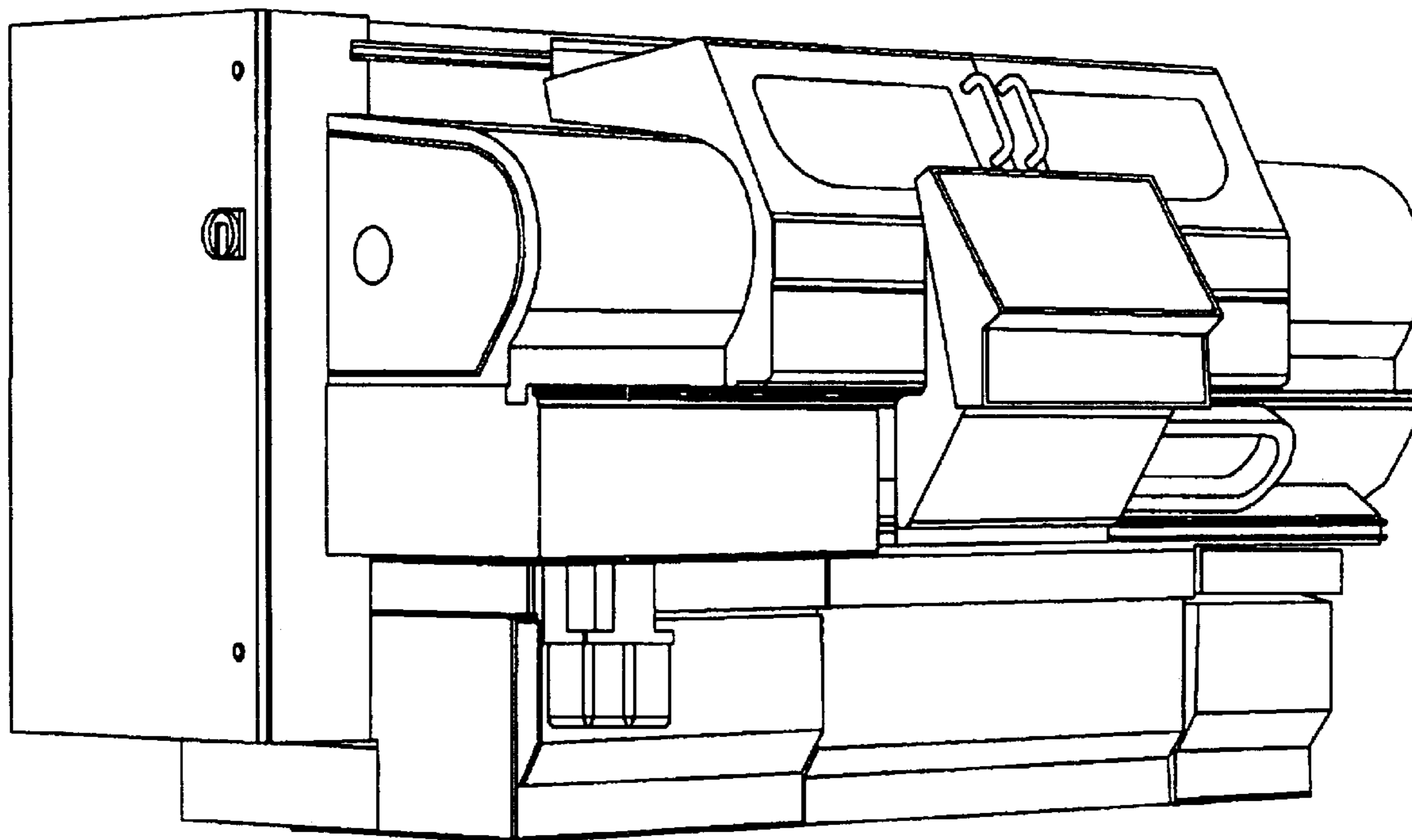
(51) **LOC (7) Cl.** **15-09**
(52) **U.S. Cl.** **D15/130**
(58) **Field of Search** D15/130; 82/117,
82/123, 132, 149, 129, 121

FIG. 1 is an elevated front view of a lathe;
FIG. 2 is a top plan view of the lathe shown in FIG. 1;
FIG. 3 is a right side perspective view of the lathe shown in FIG. 1;
FIG. 4 is a lower perspective view of the lathe shown in FIG. 1; and,
FIG. 5 is a left side perspective view of the lathe shown in FIG. 1.

(56) **References Cited**
U.S. PATENT DOCUMENTS

D368,917 S * 4/1996 Isshiki et al. D15/130

1 Claim, 5 Drawing Sheets



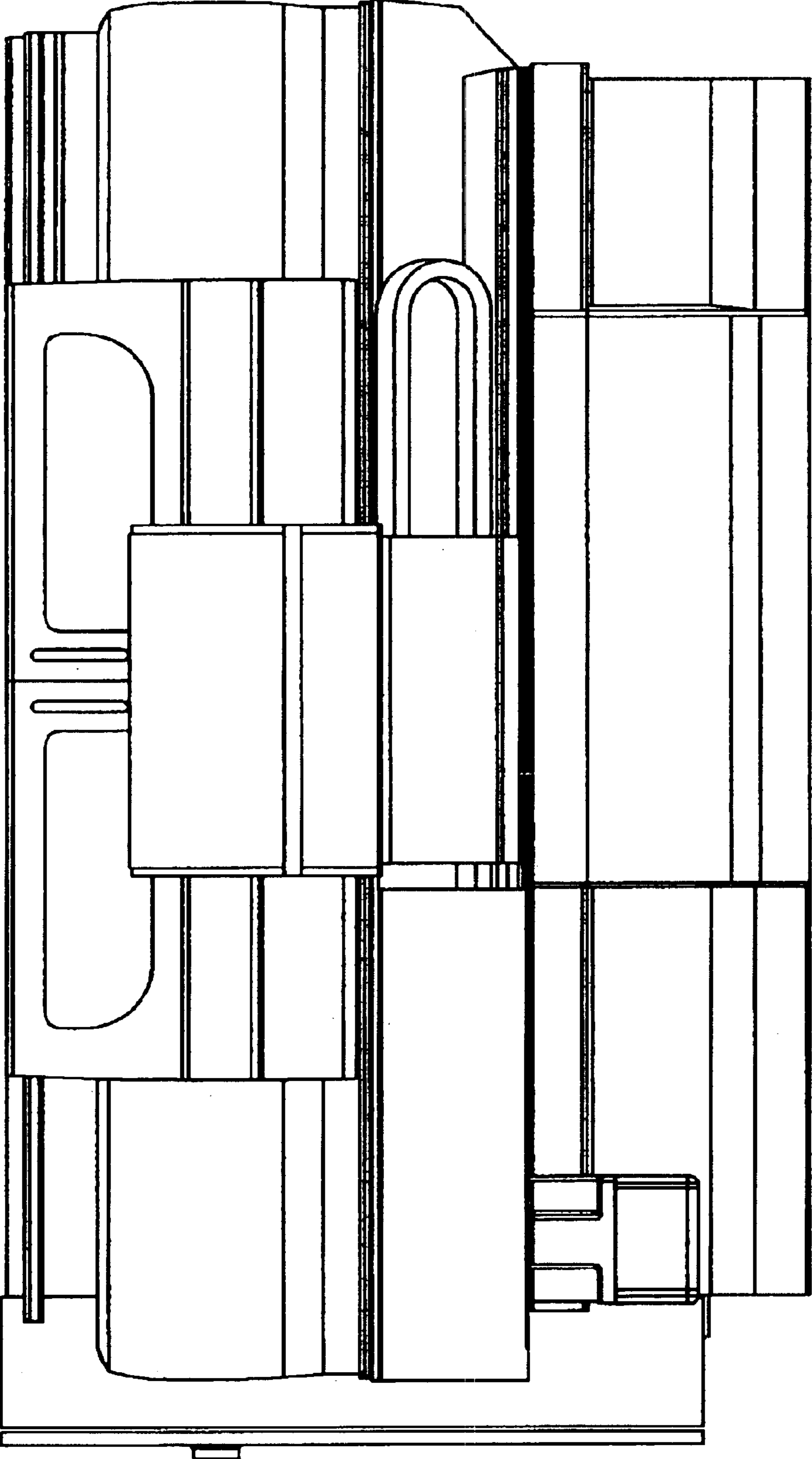


Fig. 1

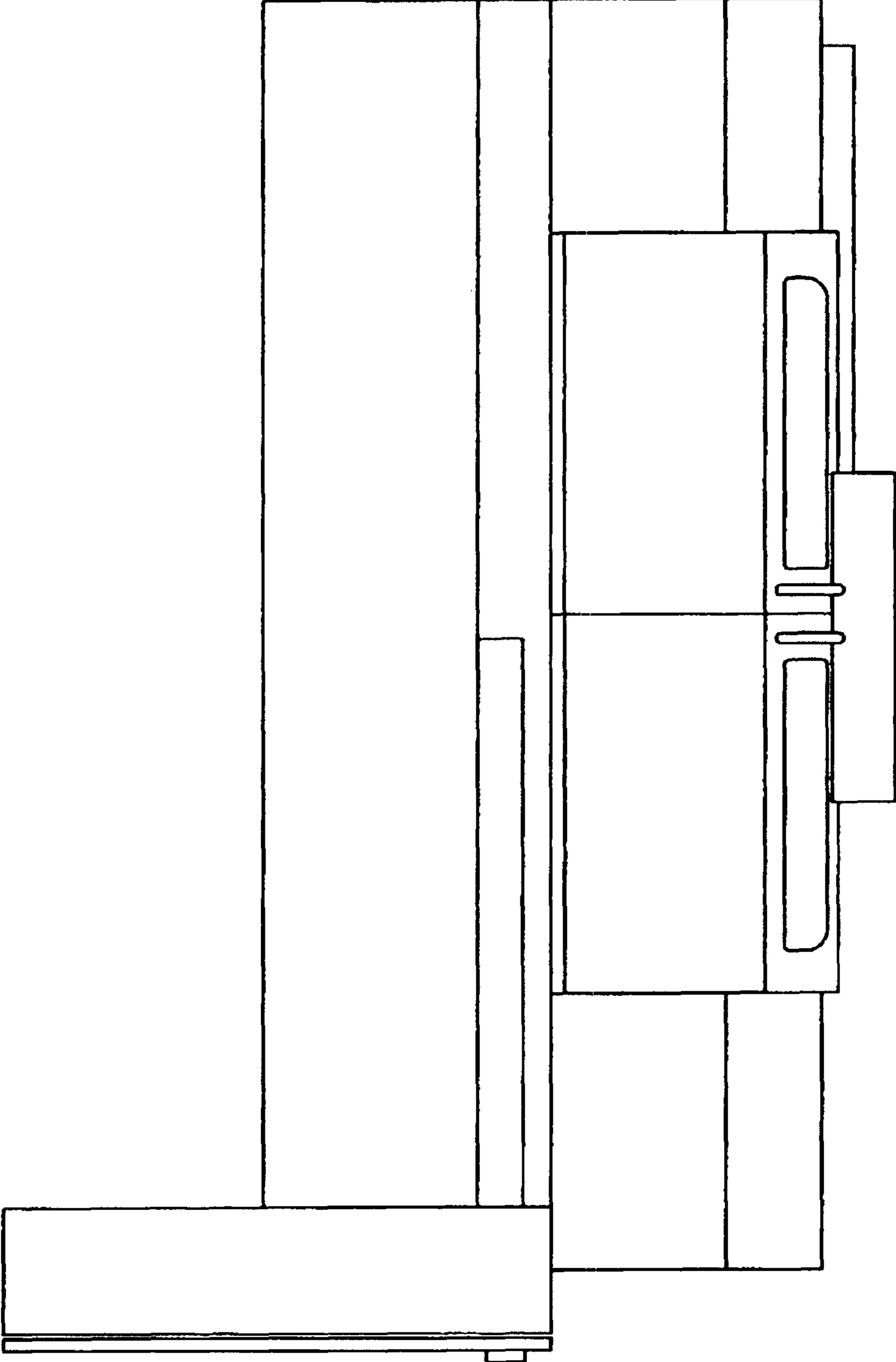


Fig. 2

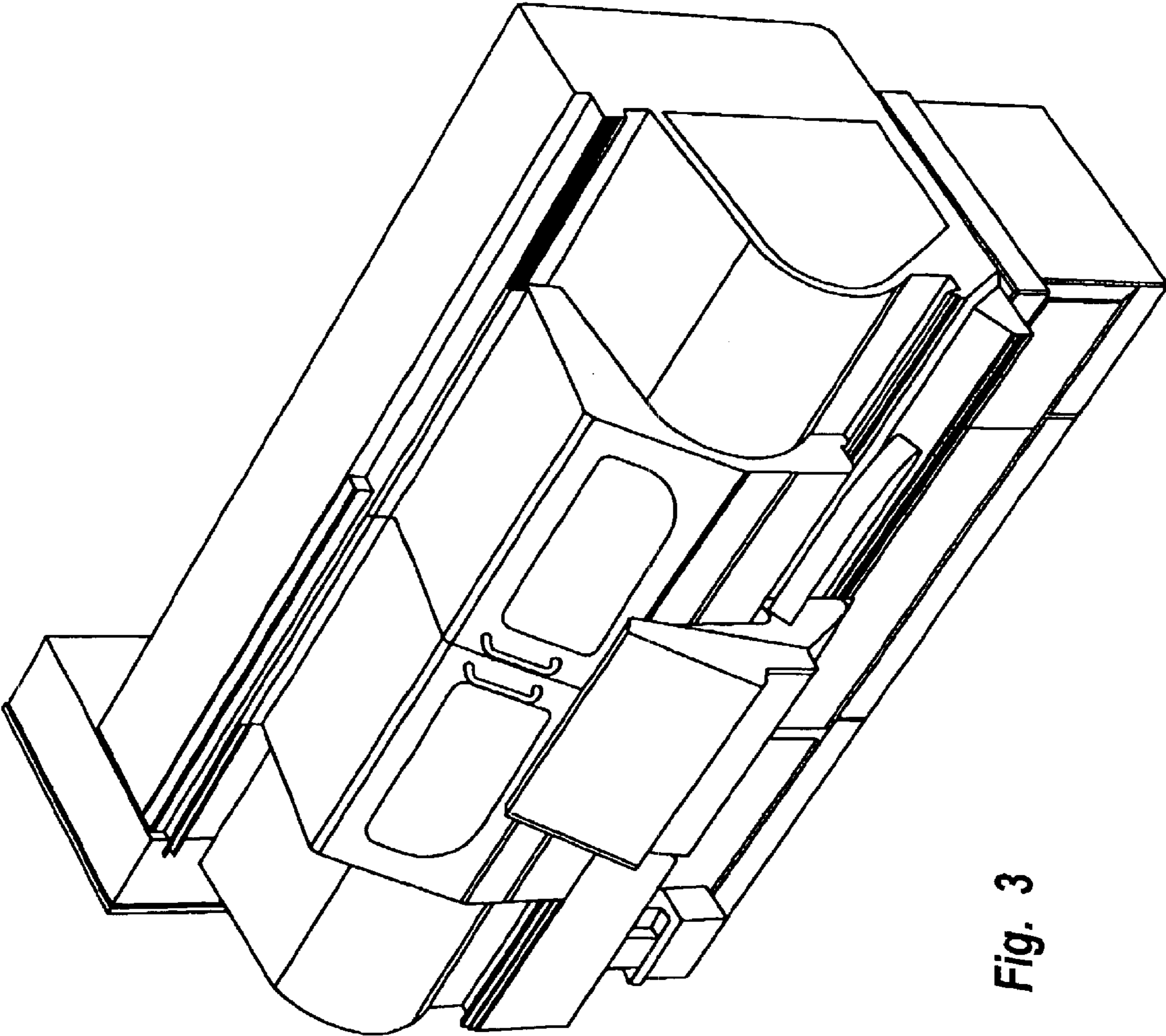


Fig. 3

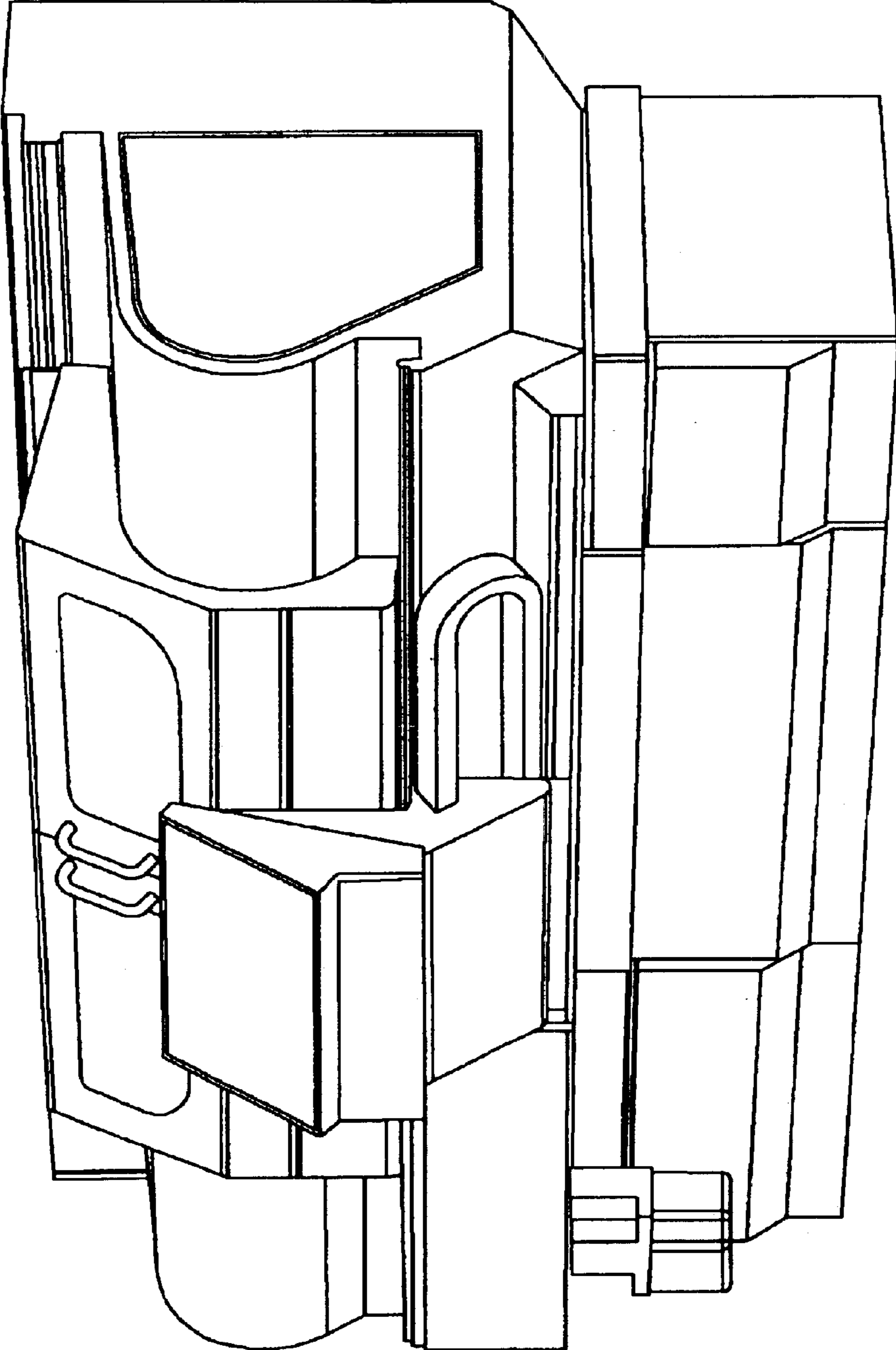


Fig. 4

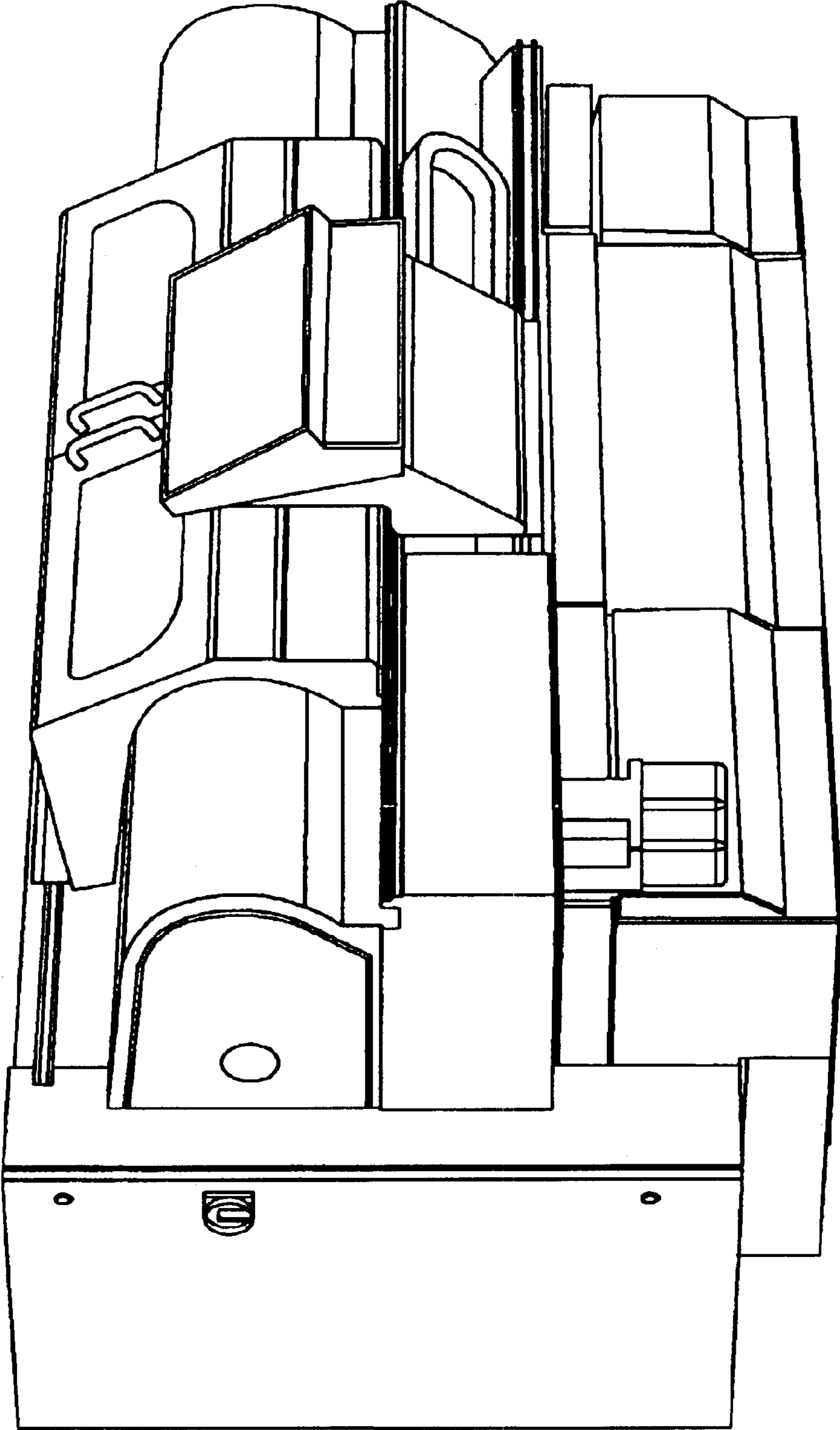


Fig. 5