

US00D496946S1

(12) **United States Design Patent**  
**Chuang**

(10) **Patent No.:** **US D496,946 S**

(45) **Date of Patent:** **\*\* Oct. 5, 2004**

(54) **PLANING MACHINE**

*Primary Examiner*—Antoine D. Davis

(76) **Inventor:** **Bor Yann Chuang**, No. 78, Yungfeng Rd. Taiping Shiang, Taichung (TW), 411

(74) *Attorney, Agent, or Firm*—Troxell Law Office PLLC

(\*\*) **Term:** **14 Years**

(57) **CLAIM**

The ornamental design for a planing machine, is shown and described.

(21) **Appl. No.:** **29/187,209**

(22) **Filed:** **Jan. 5, 2004**

**DESCRIPTION**

(51) **LOC (7) Cl.** ..... **15-09**

FIG. 1 is a perspective view of a planing machine in the present design.

(52) **U.S. Cl.** ..... **D15/124**

FIG. 2 is a right view of a planing machine in the present design.

(58) **Field of Search** ..... D15/124; 144/112.1, 144/124, 144.1, 129, 117 R, 130, 114 R, 218, 154.5, 225, 228, 230, 242.5, 245.1, 246.1, 250.2, 253.2, 253.8, 252.1

FIG. 3 is a top view of a planing machine in the present design.

(56) **References Cited**

FIG. 4 is a front view of a planing machine in the present design.

**U.S. PATENT DOCUMENTS**

FIG. 5 is a bottom view of a planing machine in the present design.

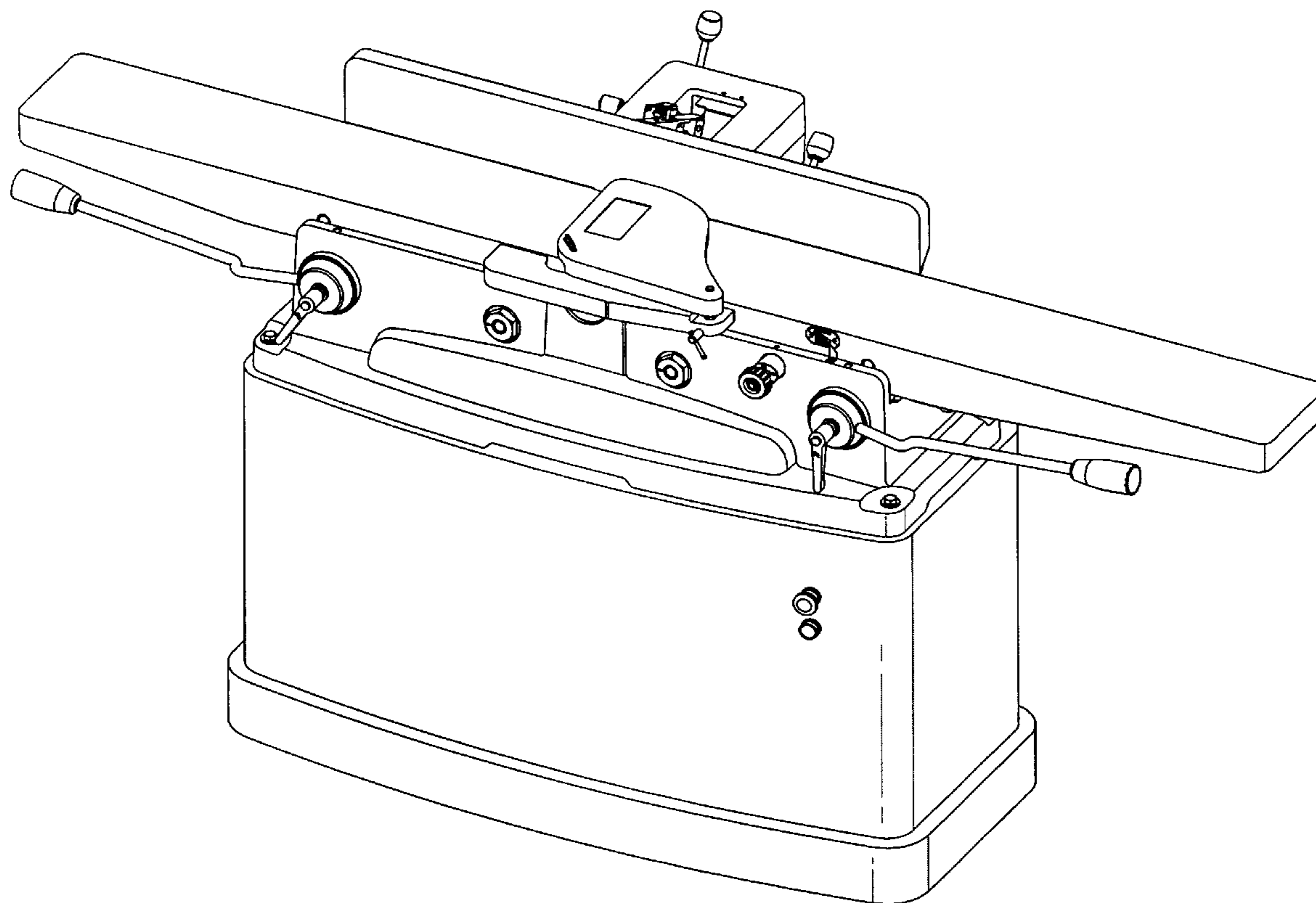
D284,286 S	*	6/1986	Pioch et al.	.....	D15/127
D307,592 S	*	5/1990	Monobe et al.	.....	D15/127
D322,258 S	*	12/1991	Monobe	.....	D15/127
5,979,521 A	*	11/1999	Garcia	.....	144/129
6,494,239 B1	*	12/2002	Liao	.....	144/129
D471,215 S	*	3/2003	Wang	.....	D15/127

FIG. 6 is a left view of a planing machine in the present design; and,

FIG. 7 is a rear view of a planing machine in the present design.

\* cited by examiner

**1 Claim, 7 Drawing Sheets**



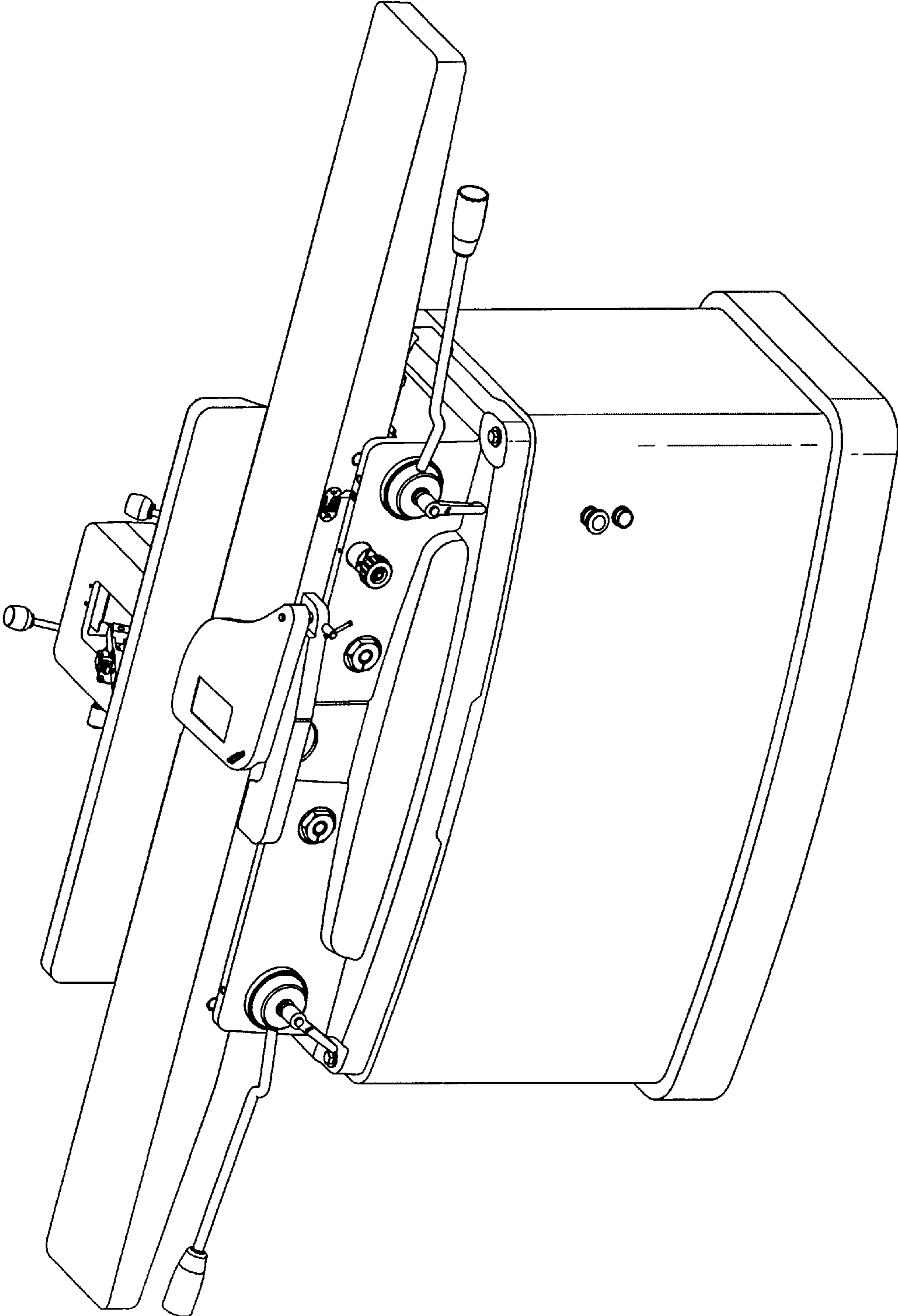


FIG. 1

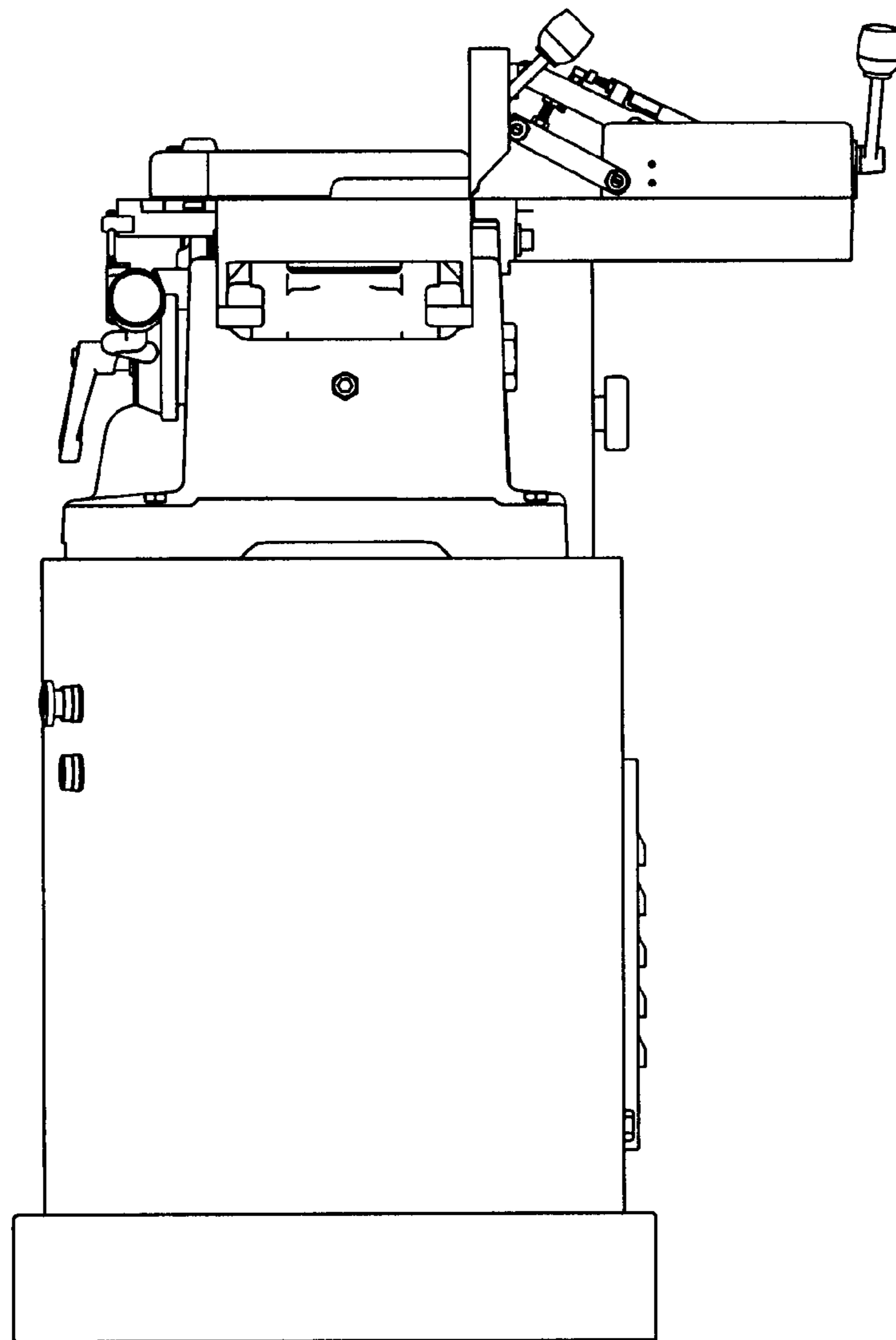


FIG. 2

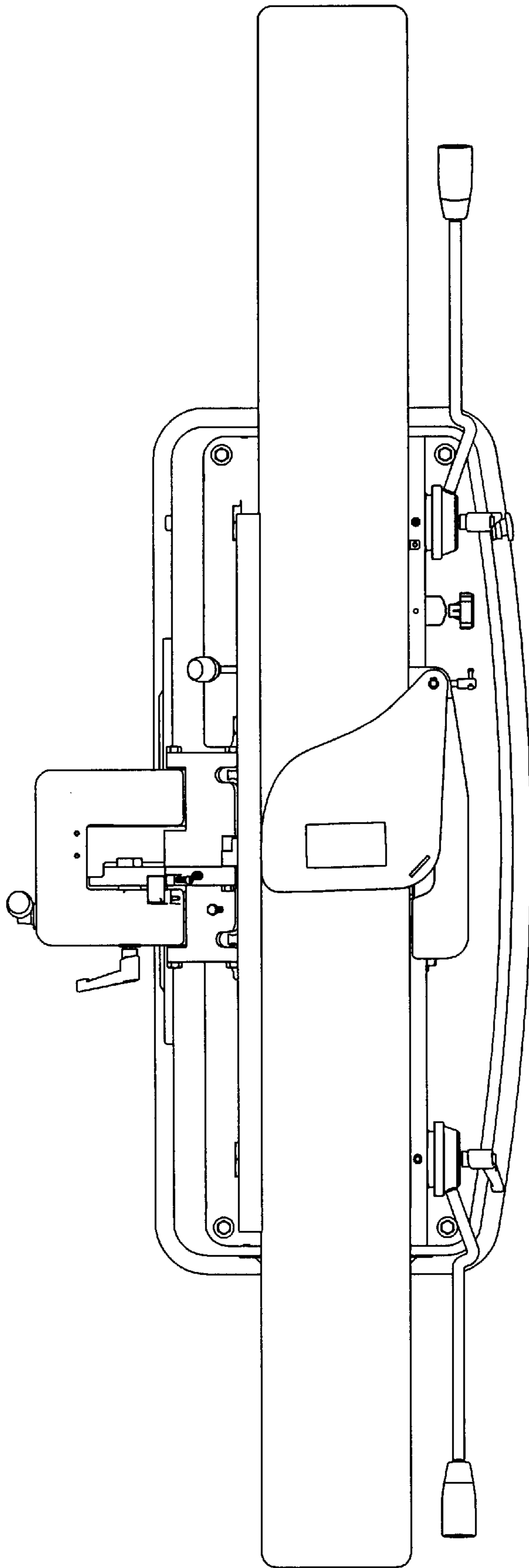


FIG. 3

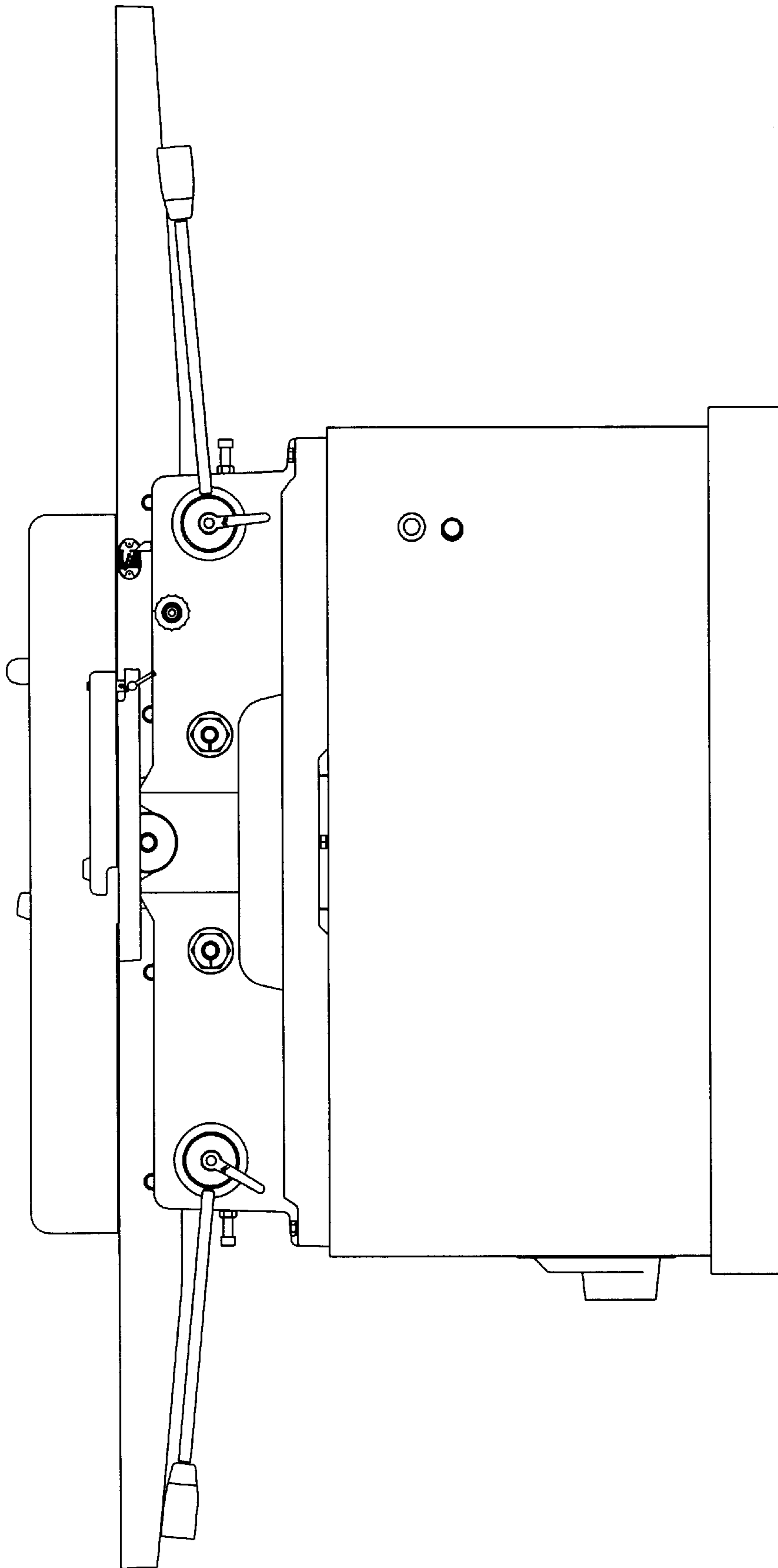


FIG. 4

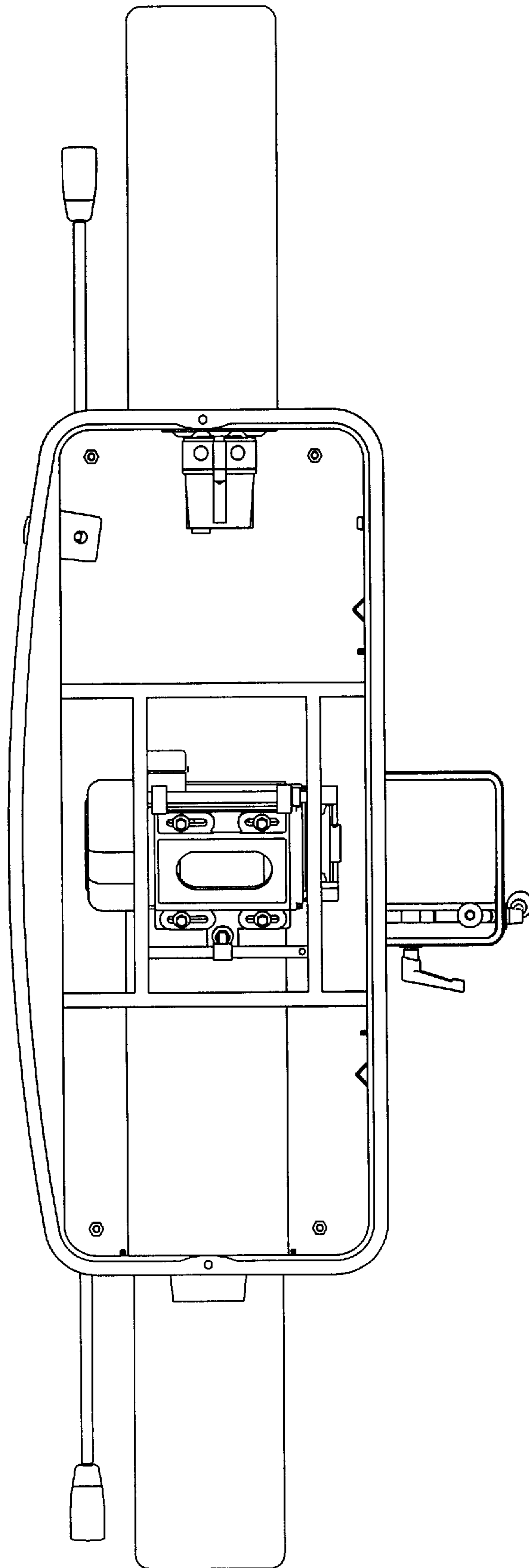


FIG. 5

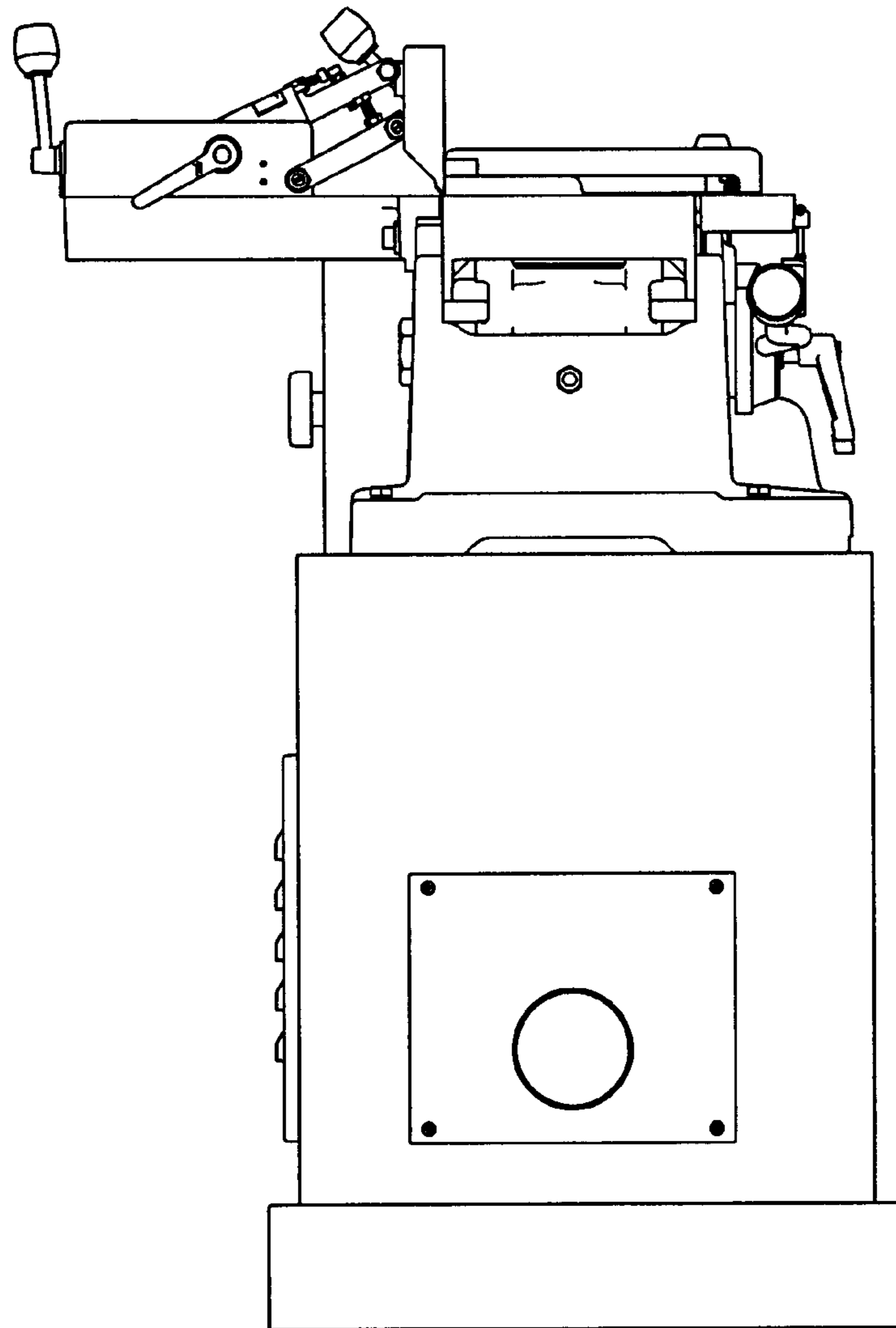


FIG. 6

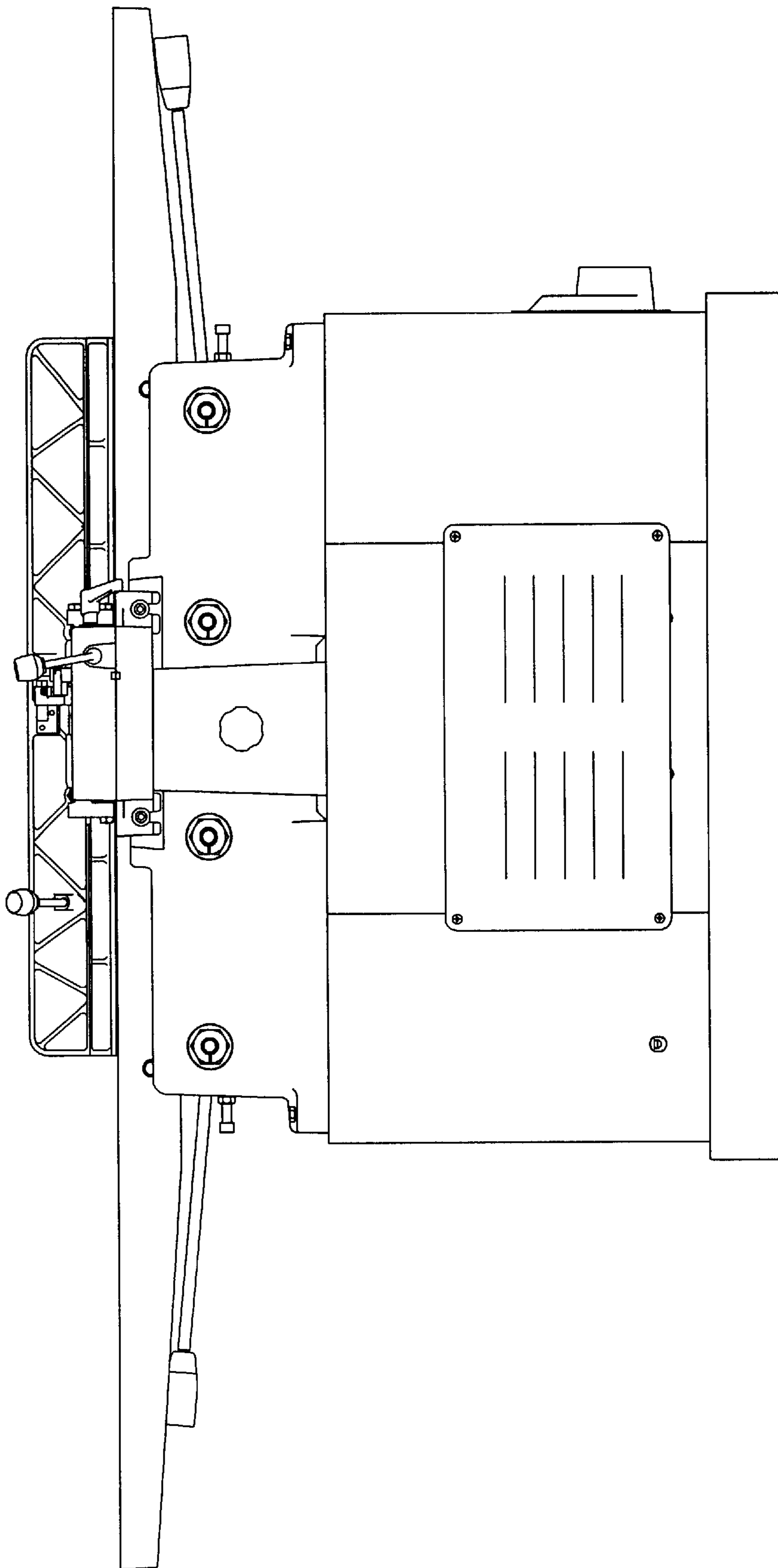


FIG. 7