



US00D496945S1

(12) **United States Design Patent** (10) **Patent No.:** **US D496,945 S**
Daniel (45) **Date of Patent:** **** Oct. 5, 2004**

- (54) **FORK AND GRAPPLE ATTACHMENT**
- (76) Inventor: **Timothy E. Daniel**, 287 County Rd.
#1850 E., Carlock, IL (US) 61725
- (**) Term: **14 Years**
- (21) Appl. No.: **29/181,183**
- (22) Filed: **May 6, 2003**
- (51) **LOC (7) Cl.** **15-03**
- (52) **U.S. Cl.** **D15/32**
- (58) **Field of Search** D15/10, 22-26,
D15/28, 32; 414/723, 724, 729, 739, 722,
694; 37/406, 461, 462; 294/2, 68.23, 104

(56) **References Cited**

U.S. PATENT DOCUMENTS

D306,599 S	*	3/1990	Hunter	D15/32
D332,271 S	*	1/1993	DuBose et al.	D15/32
5,472,249 A	*	12/1995	Fiedler	294/2
5,564,885 A	*	10/1996	Staben, Jr.	414/724
5,813,822 A	*	9/1998	Pisco	414/723
D403,000 S	*	12/1998	Leach	D15/32

OTHER PUBLICATIONS

Industrial Machine Trader, Web Page, Retrieved from the Internet: <<http://www.industrialgroup.com>>, p. B, Sep. 25, 2001, [retrieved May 23, 2003].

Grapple Brochure/Sidney Manufacturing, Web Page, Retrieved from the Internet: <<<http://www.gregorygrappler.com/printgrapple.htm>>>, pp. 1-2. [Retrieved May 28, 2003].

Advertisement for "Solesbee Skid-steer Grapple/Rake" and "AnBo Hydraulic Grapple Rake," *Equipment Today*, Jan. 2002, cover page and p. 8A, published by Cygnus Business Media.

Advertisement for "FFC T-Rex Demolition Attachment" and "Sheyenne Quick-tach Grapple," *Equipment Today*, Jan. 2002, p. 10A, published by Cygnus Business Media.

Advertisement for "Werk-Brau JackBucket," *Equipment Today*, Jan. 2002, p. 20A, published by Cygnus Business Media.

Advertisement for "Woods HSG Series Scrap Grapple Bucket," *Equipment Today*, Jan. 2002, p. 21A, published by Cygnus Business Media.

Advertisement for "Avenco Root Grapple," *Equipment Today*, Jan. 2002, p. 23A, published by Cygnus Business Media.

Advertisement for "John Deere Worksite Pro Grapples," *Equipment Today*, Jan. 2002, p. 24A, published by Cygnus Business Media.

Advertisement for "Woods Equipment Company," *Equipment Today*, Jan. 2002, p. 20, published by Cygnus Business Media.

Advertisement for "Skid Steer Slab Crab," *Equipment Today*, Mar. 2002, cover page and pp. 156-157, published by Cygnus Business Media.

Advertisement by Case from "1800 Series Skid Steers" entitled "1845C—A Proven Leader," pp. 14-15.

Bobcat brochure B-1595 entitled "Attachments for loaders/excavators" advertising "Industrial Grapple".

Bradco brochure B-GB2-5/97 entitled "Grapple Buckets".

Farmer's Factory Co. Product Sheet FFC 9-88 entitled "Scrap Grapple Bucket" and "Attachments" page.

* cited by examiner

Primary Examiner—Mitchell Siegel

(74) *Attorney, Agent, or Firm*—Husch & Eppenberger, LLC; Robert C. Haldiman; David A. Chambers

(57) **CLAIM**

The ornamental design of a fork and grapple attachment, substantially as shown and described.

DESCRIPTION

FIG. 1 is a side view of a fork and grapple attachment embodying my new design and showing a moved position of the grapple;

FIG. 2 is a front view thereof;

FIG. 3 is a top view thereof;

FIG. 4 is a bottom view thereof; and,

FIG. 5 is a back view thereof.

The broken line showing is for illustrative purposes only and forms no part of the claimed design.

1 Claim, 5 Drawing Sheets

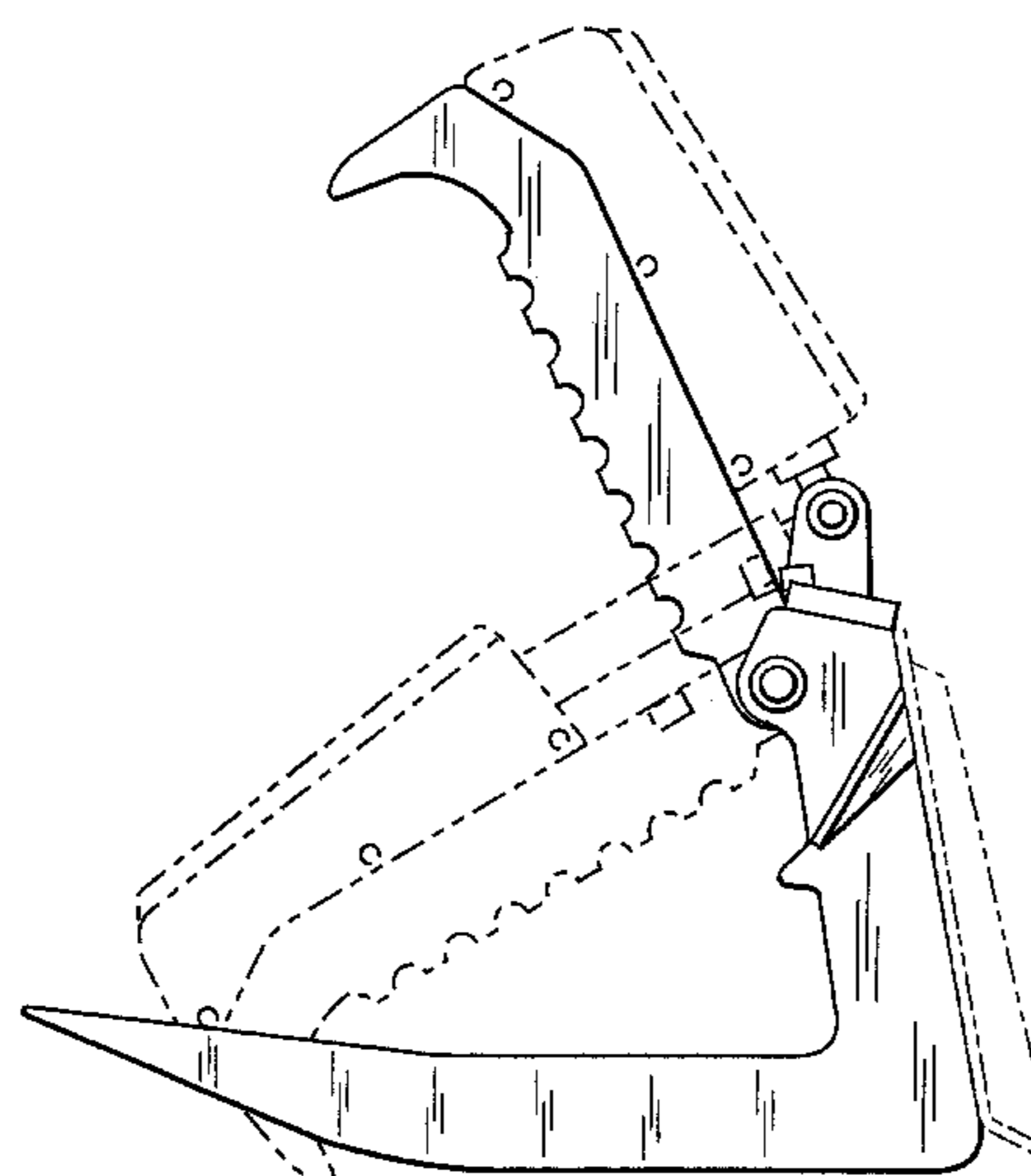


FIG. 1.

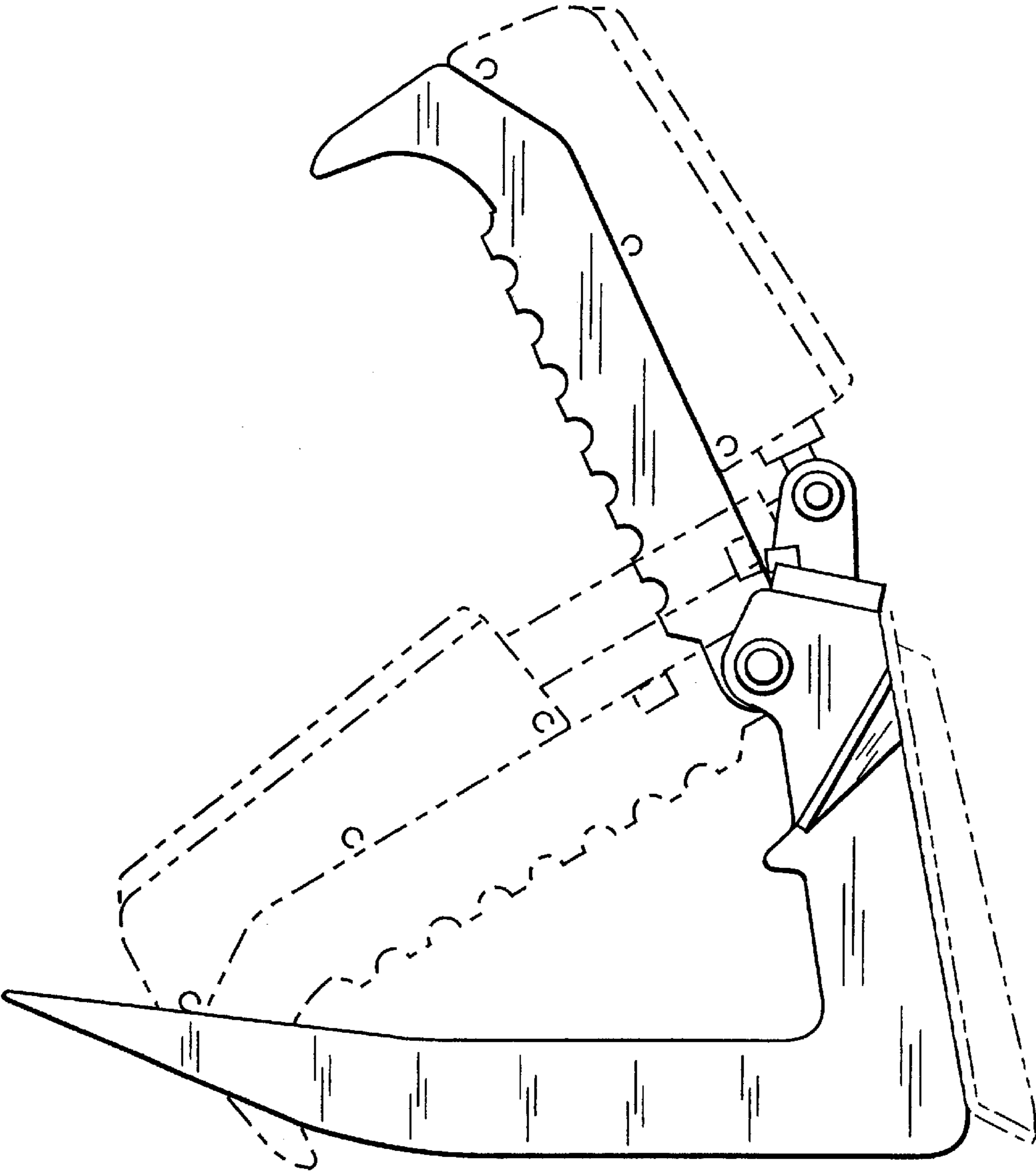


FIG. 2

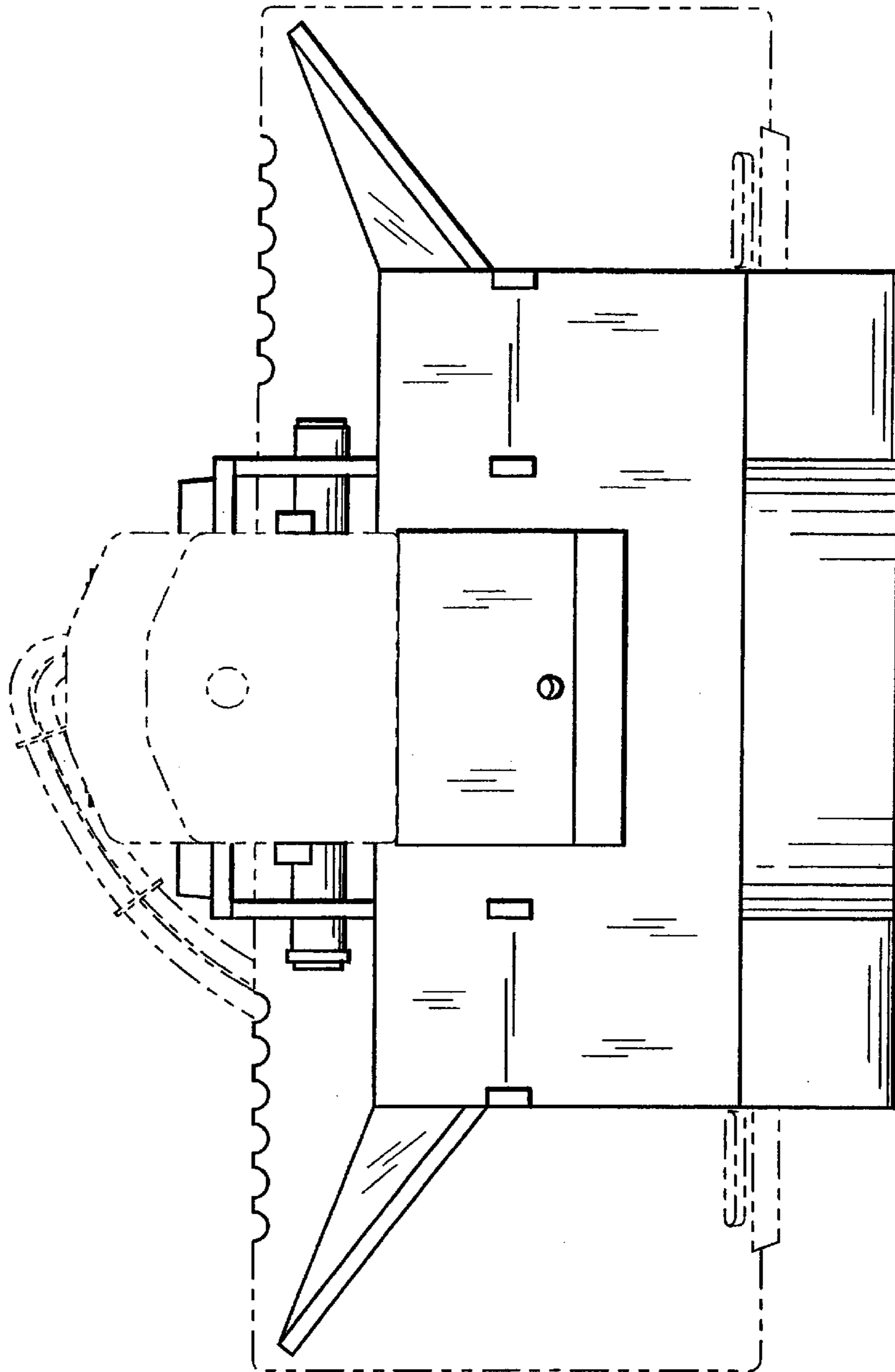


FIG. 3

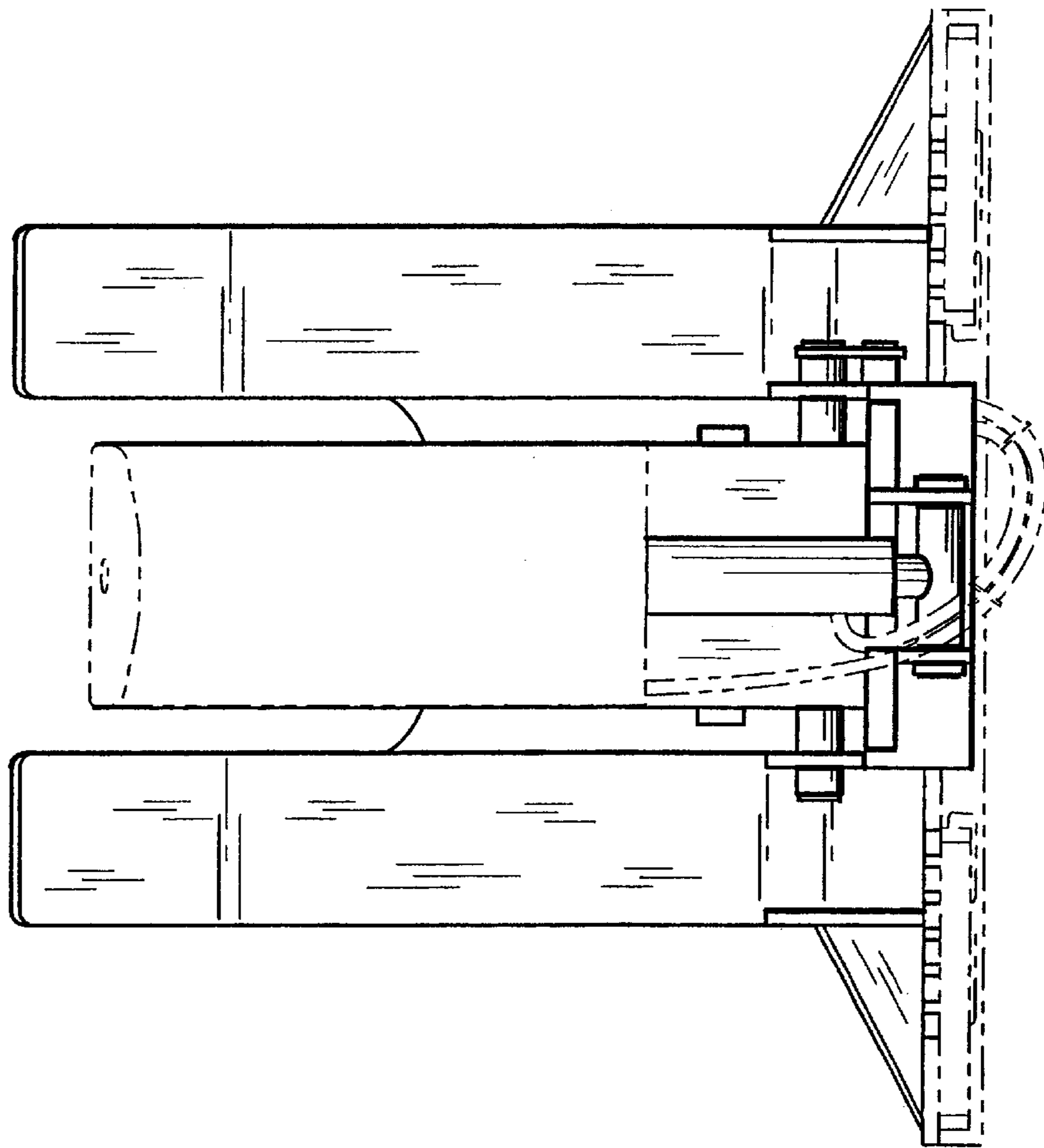


FIG. 4

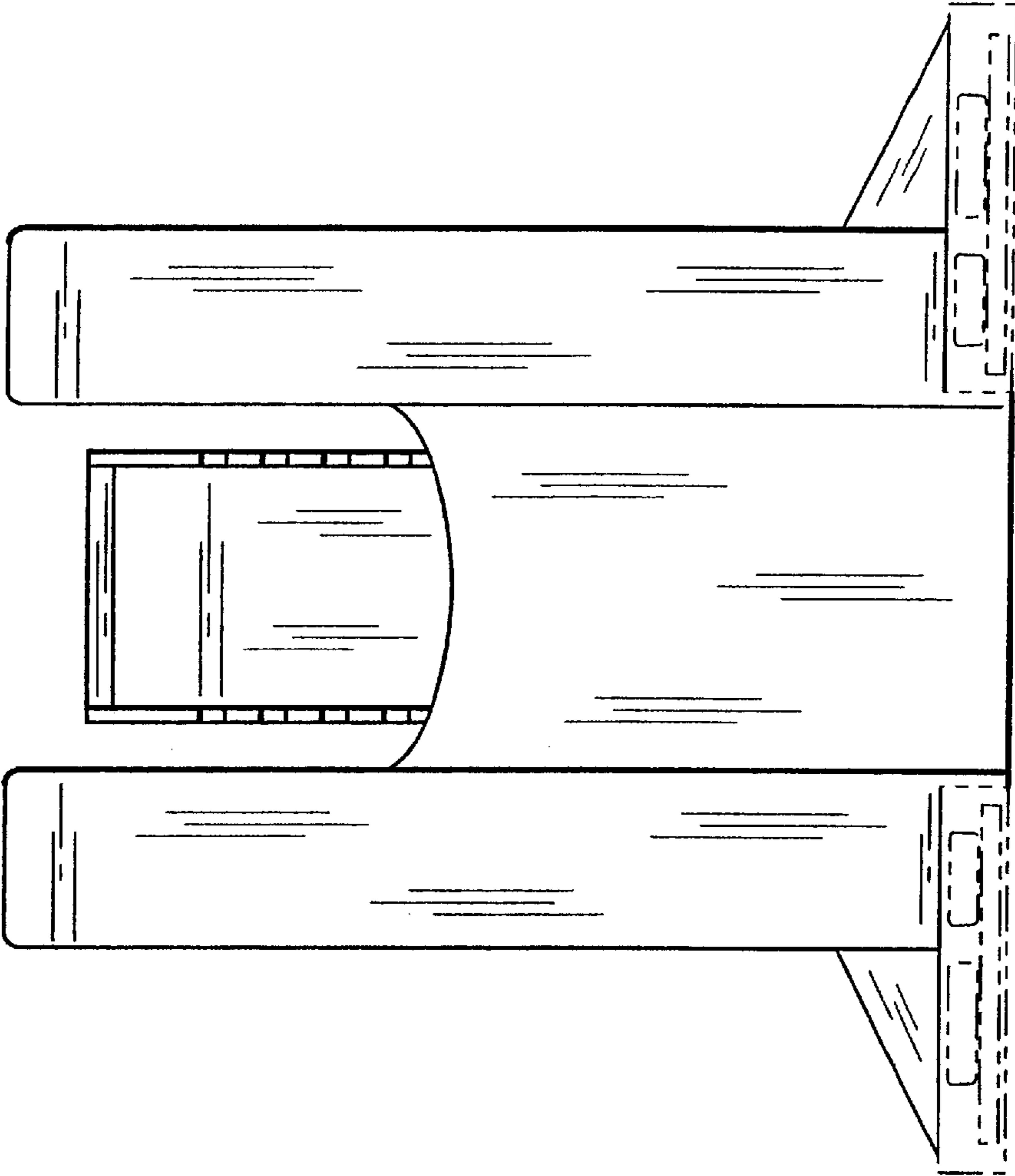


FIG. 5

