

US00D496937S1

(12) **United States Design Patent** (10) **Patent No.:** **US D496,937 S**
Ozolins et al. (45) **Date of Patent:** **** Oct. 5, 2004**

(54) **MULTI-PANEL COMPUTER DISPLAY**
 (75) Inventors: **Helmars E. Ozolins**, Orient, NY (US);
Sigrid G. Moeslinger, New York, NY
 (US); **Masamichi Udagawa**, New York,
 NY (US)

D404,026 S 1/1999 Hasegawa
 5,904,328 A 5/1999 Leveridge et al.
 5,918,841 A 7/1999 Sweere et al.
 5,949,643 A 9/1999 Batio

(List continued on next page.)

FOREIGN PATENT DOCUMENTS

JP	3-291722	12/1991
JP	10-55165	2/1998
JP	11-271730	10/1999
WO	DM/049537	* 8/1999
WO	DM/053554	* 7/2000

(73) Assignee: **Bloomberg LP**, New York, NY (US)
 (**) Term: **14 Years**

(21) Appl. No.: **29/190,262**

(22) Filed: **Sep. 17, 2003**

OTHER PUBLICATIONS

Related U.S. Application Data

(63) Continuation-in-part of application No. 29/166,844, filed on Sep. 3, 2002.

(51) **LOC (7) Cl.** **14-02**
 (52) **U.S. Cl.** **D14/375**
 (58) **Field of Search** D14/371-376,
 D14/125-129; 248/917-924; 349/12, 1,
 2, 11, 62; 345/104, 156, 168, 173, 901-905,
 87, 1.1, 1.3; 348/180, 184, 325, 739, 383;
 361/681

SMARTGLAS Mounting Options, <http://www.pixelvision.com/sgmount.htm>, dated Sep. 8, 1998, pp. 1-4.
 SMARTGLAS System Components, <http://www.pixelvision.com/sgcomp.htm>, dated Sep. 8, 1998, pp. 1-3.
 Bloomberg LP, "The BLOOMBERG® Flat Panel," brochure, Copyright 2000, 4 pages.
 NexTag, "Peerless Industries Peerless Jumbo 2000 Wall Mount—JMW2650/For 25-27 Inch Monitors/Adjustable Tilt Up To 30 Degrees/Black Fused Epoxy Finish—Compare Prices," Copyright 1999-2000, 5 pages.

Primary Examiner—Freda S. Nunn
 (74) *Attorney, Agent, or Firm*—Brown Raysman Millstein Felder & Steiner

(56) **References Cited**

U.S. PATENT DOCUMENTS

3,909,525 A	9/1975	Fagan
D278,820 S	5/1985	Woodhall
D305,646 S	1/1990	Kato et al.
D305,647 S	1/1990	Kato et al.
5,076,524 A	12/1991	Reh et al.
5,122,941 A	6/1992	Gross et al.
5,224,861 A	7/1993	Glass et al.
D340,235 S	10/1993	Robak et al.
5,537,127 A	7/1996	Jingu
5,590,021 A	12/1996	Register
5,673,170 A	9/1997	Register
5,687,939 A	11/1997	Moscovitch
D395,041 S	6/1998	Leveridge et al.
D395,298 S	6/1998	Rosen

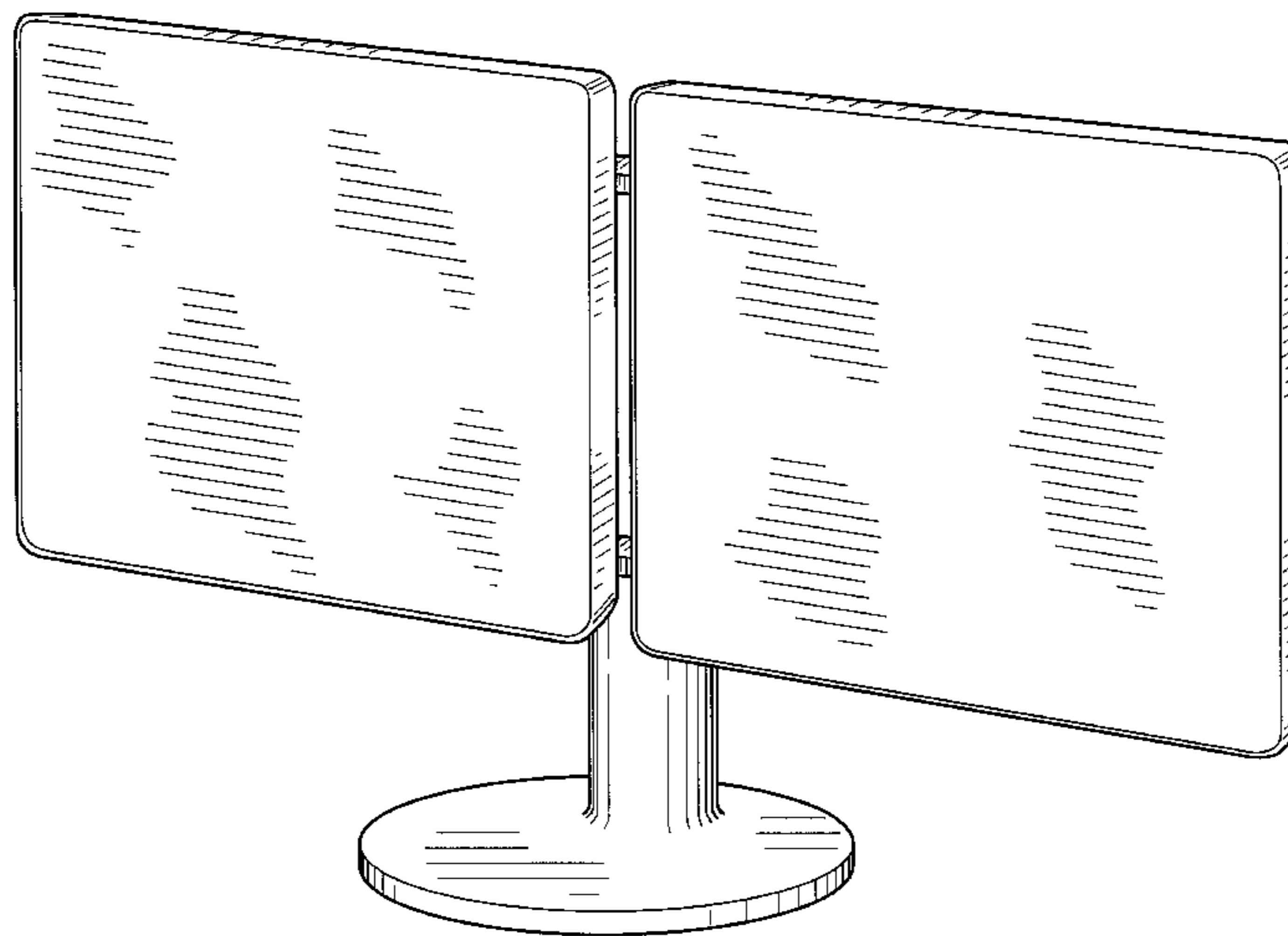
(57) **CLAIM**

We claim the ornamental design for a multi-panel computer display, as shown and described.

DESCRIPTION

FIG. 1 is a front perspective view of our design for a multi-panel computer display; and,
 FIG. 2 is a front elevation thereof.
 Portions of the display not shown in the drawings form no part of the claimed design.

1 Claim, 2 Drawing Sheets



US D496,937 S

Page 2

U.S. PATENT DOCUMENTS

6,015,120 A	1/2000	Sweere et al.	D449,302 S	10/2001	Jung
6,019,332 A	2/2000	Sweere et al.	6,339,410 B1	1/2002	Milner et al.
D425,036 S	5/2000	Copus et al.	6,343,006 B1	1/2002	Moscovitch et al.
6,061,104 A	5/2000	Evanicky et al.	D458,257 S	6/2002	Rosen et al.
6,094,340 A	7/2000	Min	D458,603 S	6/2002	Lee
RE36,978 E	12/2000	Moscovitch	D458,604 S	6/2002	Ma et al.
6,189,842 B1	2/2001	Bergeron Gull et al.	D458,927 S	6/2002	Wang et al.
6,212,068 B1	4/2001	Rooyakkers et al.	6,449,143 B2	9/2002	Rooyakkers et al.
6,216,989 B1	4/2001	Shioya et al.	6,575,419 B1	6/2003	Masuda et al.
6,222,507 B1	4/2001	Gouko	2002/0011544 A1	1/2002	Bosson
6,233,138 B1	5/2001	Osgood	2002/0020792 A1	2/2002	Lee
6,276,655 B1	8/2001	Byoun	2002/0130981 A1	9/2002	Ma et al.
6,295,038 B1	9/2001	Rebeske	2002/0149906 A1	10/2002	Ichimura

* cited by examiner

FIG. 1

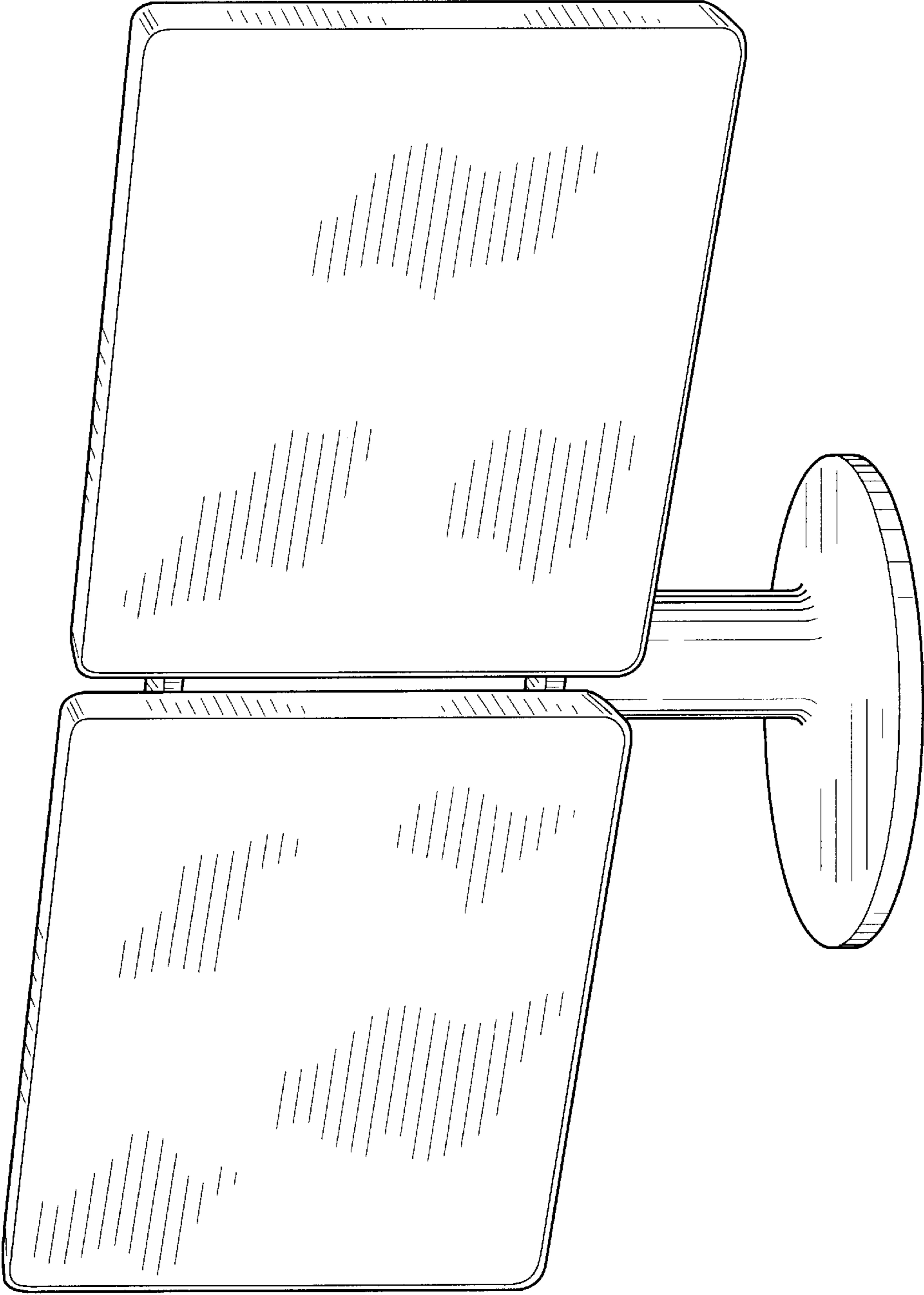


FIG. 2

