



US00D496934S1

(12) **United States Design Patent**  
**Borsboom**

(10) **Patent No.:** **US D496,934 S**

(45) **Date of Patent:** **\*\* Oct. 5, 2004**

(54) **LIQUID CRYSTAL DISPLAY**

(75) **Inventor:** **Antonious M. Borsboom**, Singapore (SG)

(73) **Assignee:** **Hannspree, Inc.**, Taipei (TW)

(\*\*) **Term:** **14 Years**

(21) **Appl. No.:** **29/197,439**

(22) **Filed:** **Jan. 13, 2004**

(51) **LOC (7) Cl.** ..... **14-02**

(52) **U.S. Cl.** ..... **D14/371**

(58) **Field of Search** ..... D14/371-375,  
D14/125-129; 345/104, 156, 168, 173,  
901-905, 87; 348/180, 184, 325, 739; 349/1,  
2, 11, 62; 341/12; 248/917-924; D21/515,  
329; 312/204

(56) **References Cited**

**U.S. PATENT DOCUMENTS**

- D414,164 S \* 9/1999 Rorke et al. .... D14/374
- D472,897 S \* 4/2003 Park ..... D14/375
- D473,869 S \* 4/2003 Tai ..... D14/375

\* cited by examiner

*Primary Examiner*—Freda S. Nunn

(74) *Attorney, Agent, or Firm*—Haverstock & Owens LLP

(57) **CLAIM**

The ornamental design for a liquid crystal display, as shown and described.

**DESCRIPTION**

FIG. 1 is a perspective view of a liquid crystal display of my design;

FIG. 2 is a right side elevational view of the liquid crystal display of FIG. 1;

FIG. 3 is a top plan view of the liquid crystal display of FIG. 1;

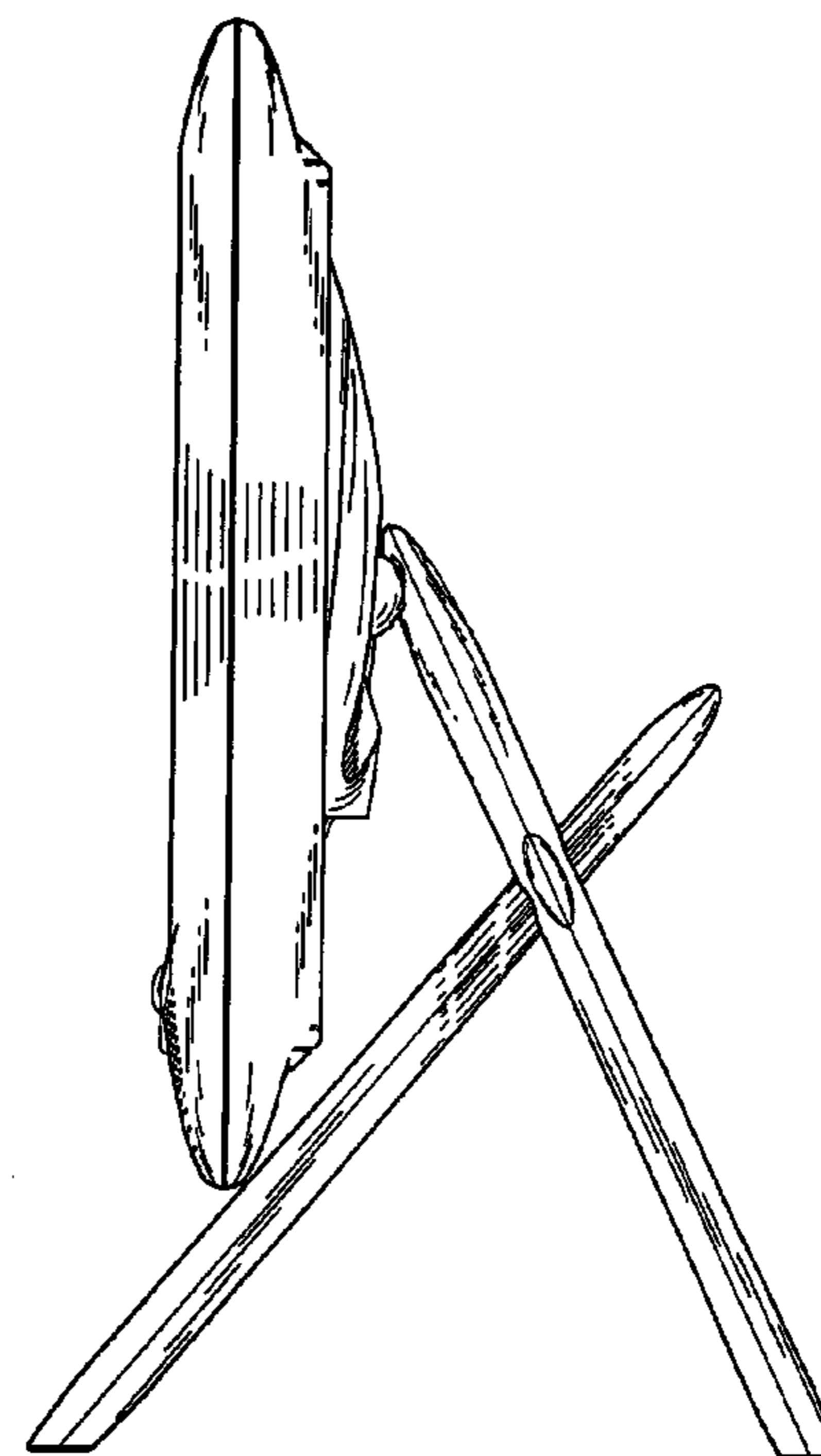
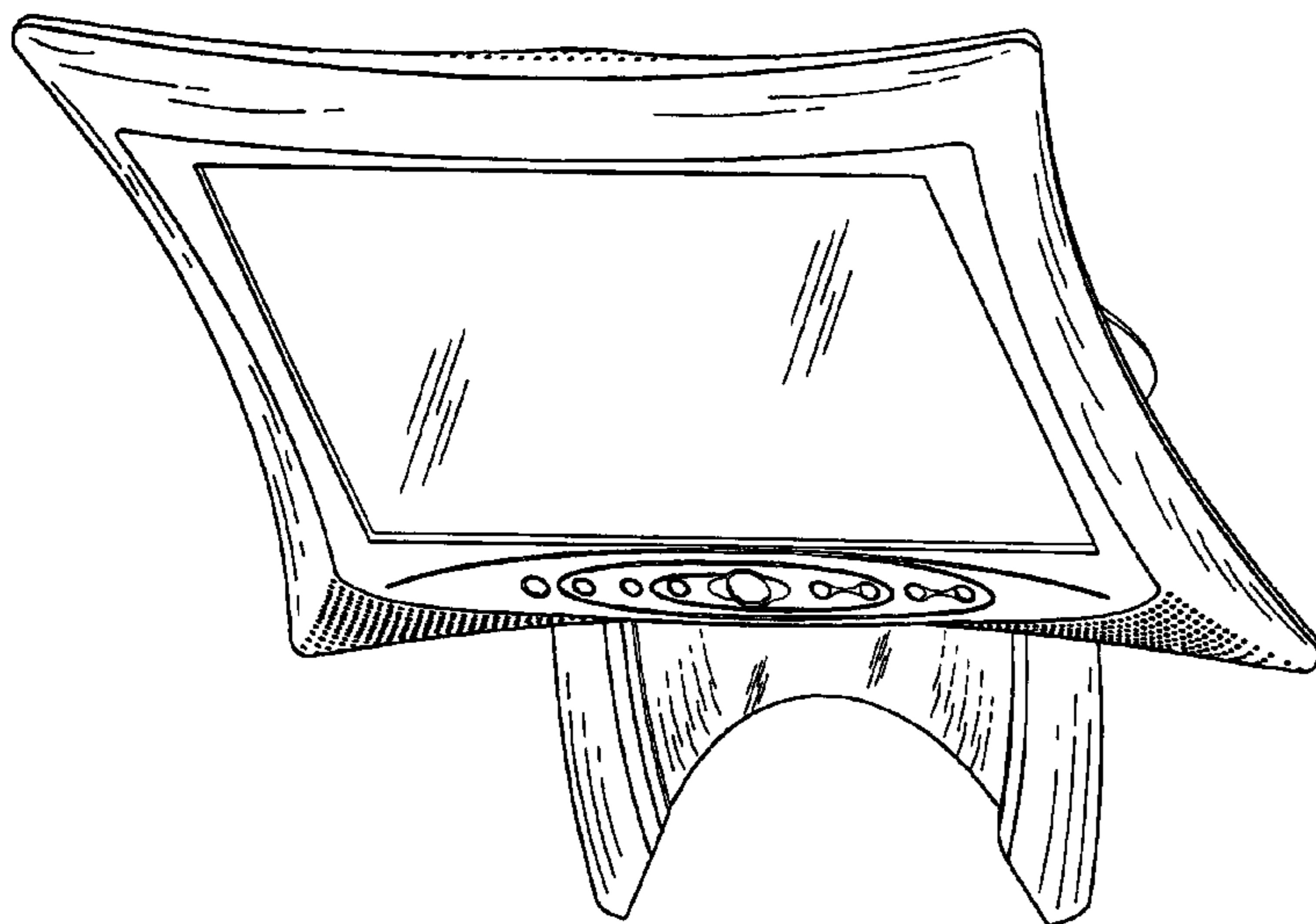
FIG. 4 is a front elevational view of the liquid crystal display of FIG. 1;

FIG. 5 is a bottom plan view of the liquid crystal display of FIG. 1;

FIG. 6 is a left side elevational view of the liquid crystal display of FIG. 1; and,

FIG. 7 is a rear elevational view of the liquid crystal display of FIG. 1.

**1 Claim, 7 Drawing Sheets**



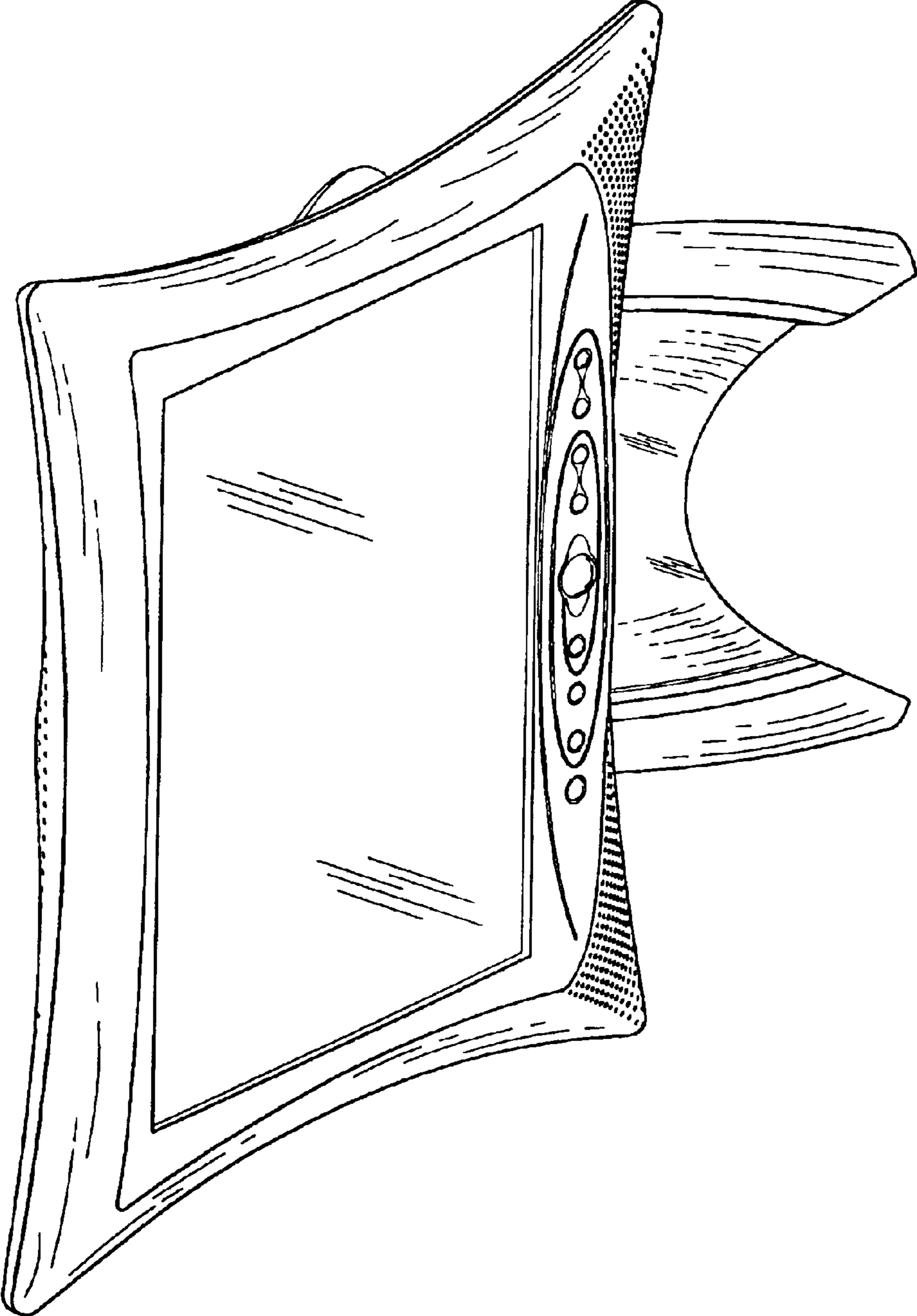


Fig. 1

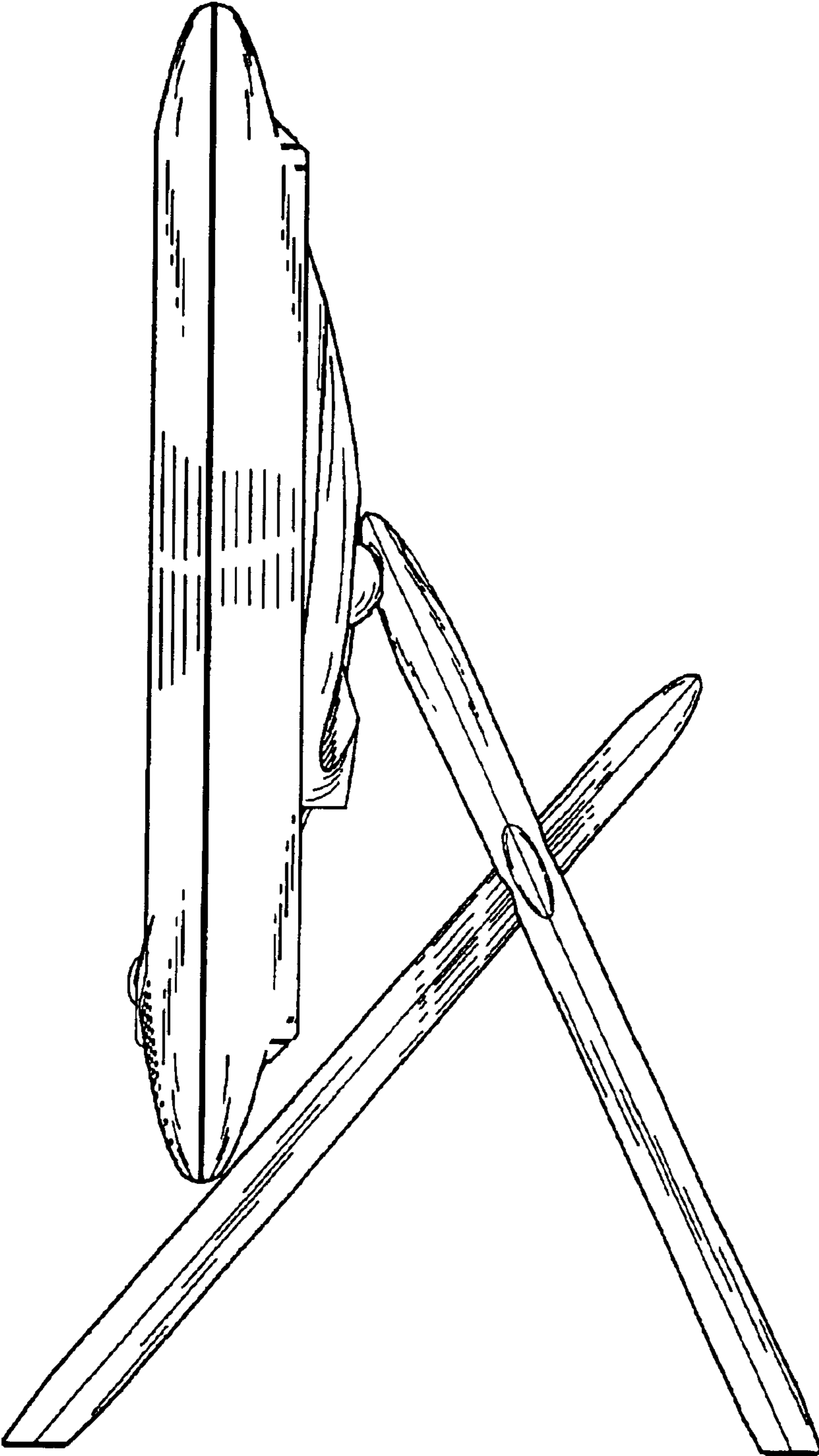


Fig. 2

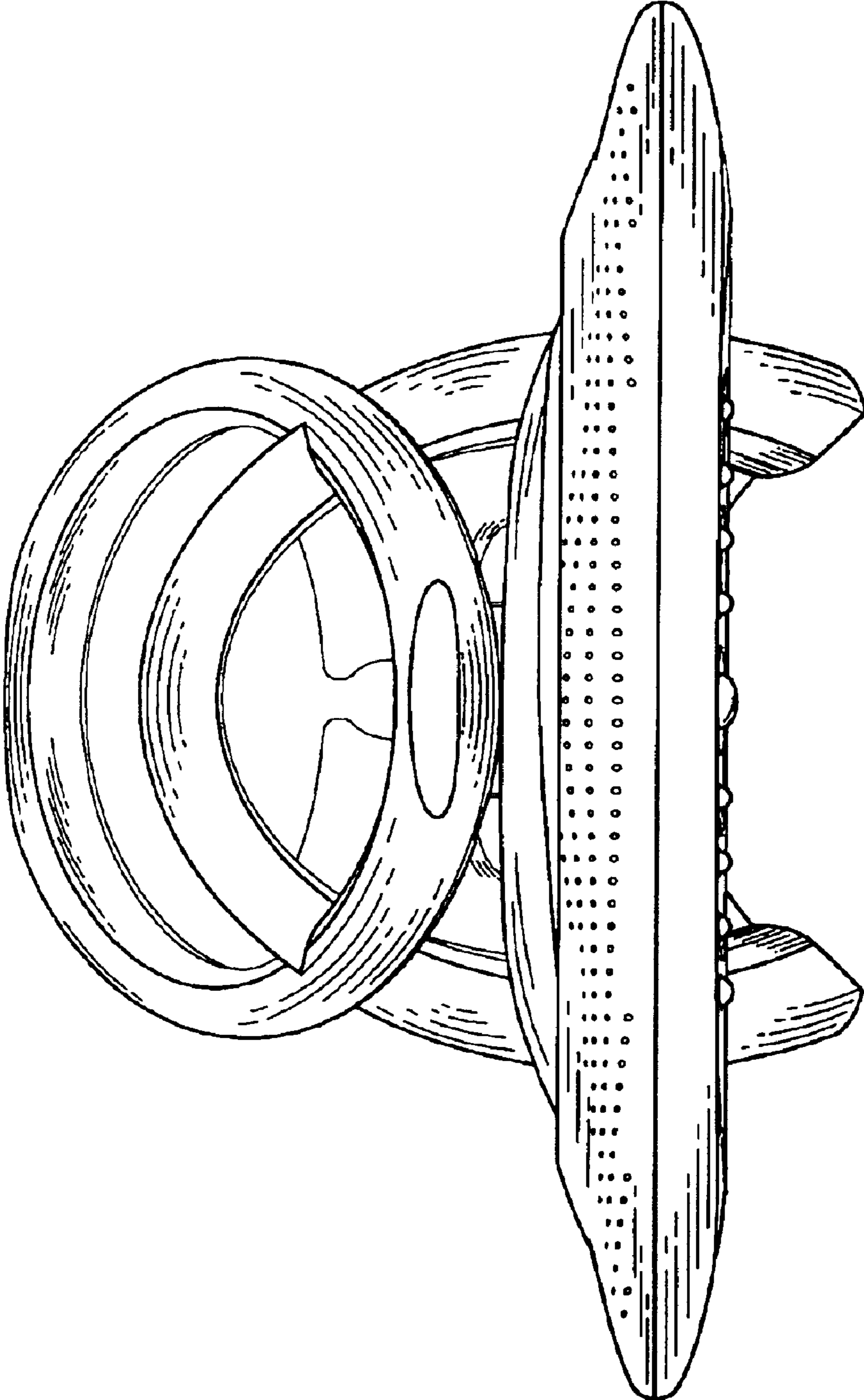


Fig. 3

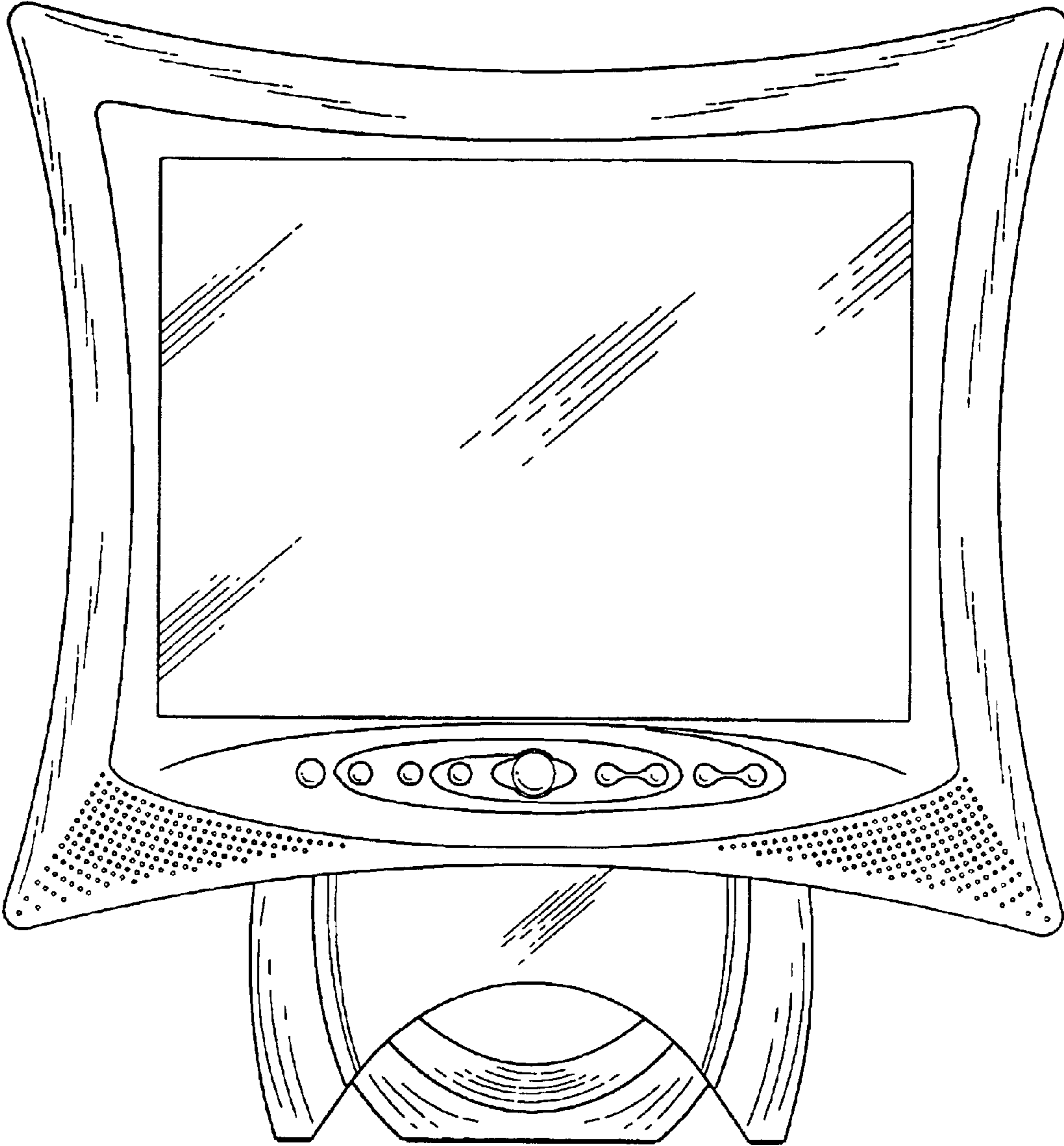


Fig. 4

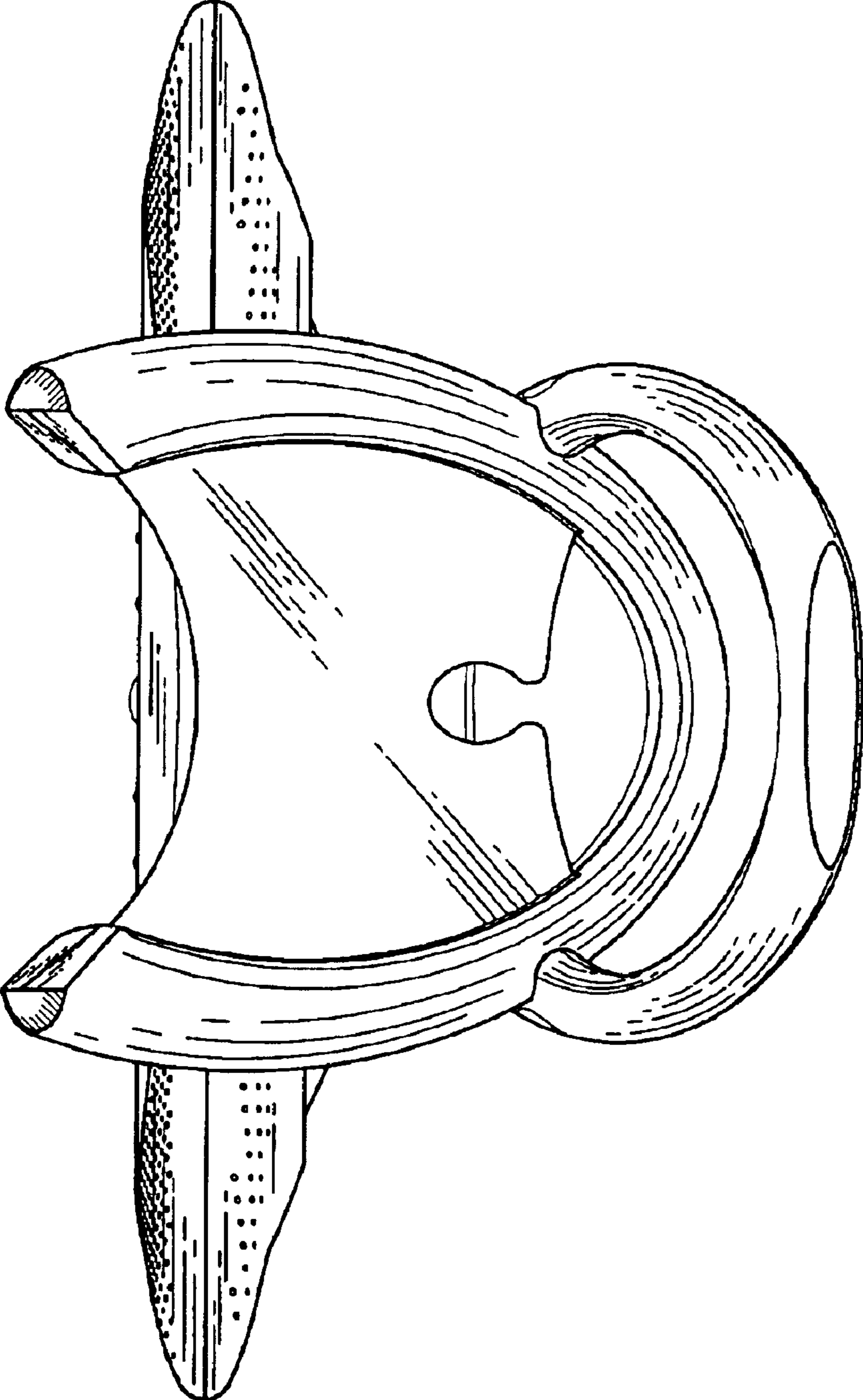


Fig. 5

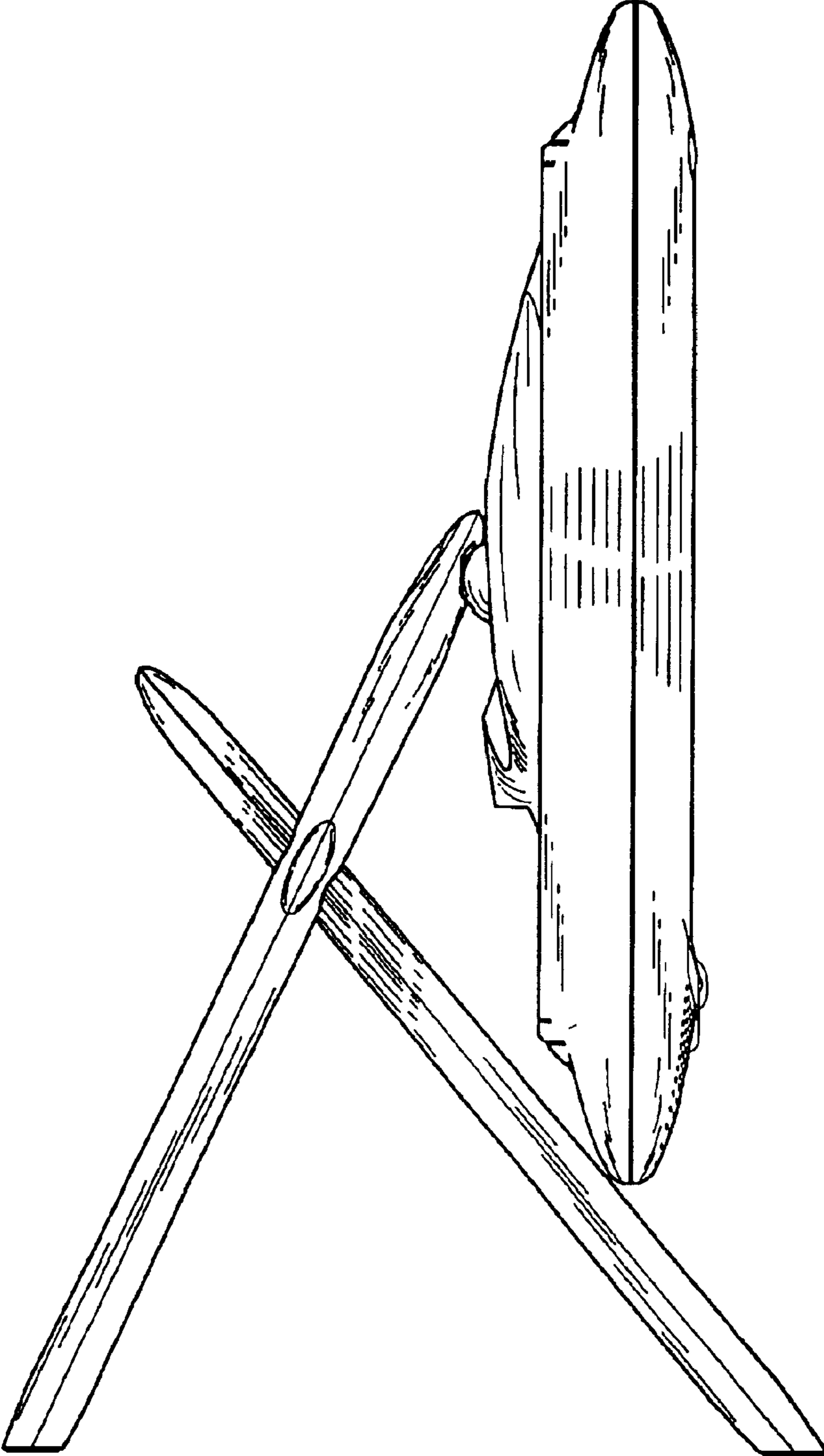


Fig. 6

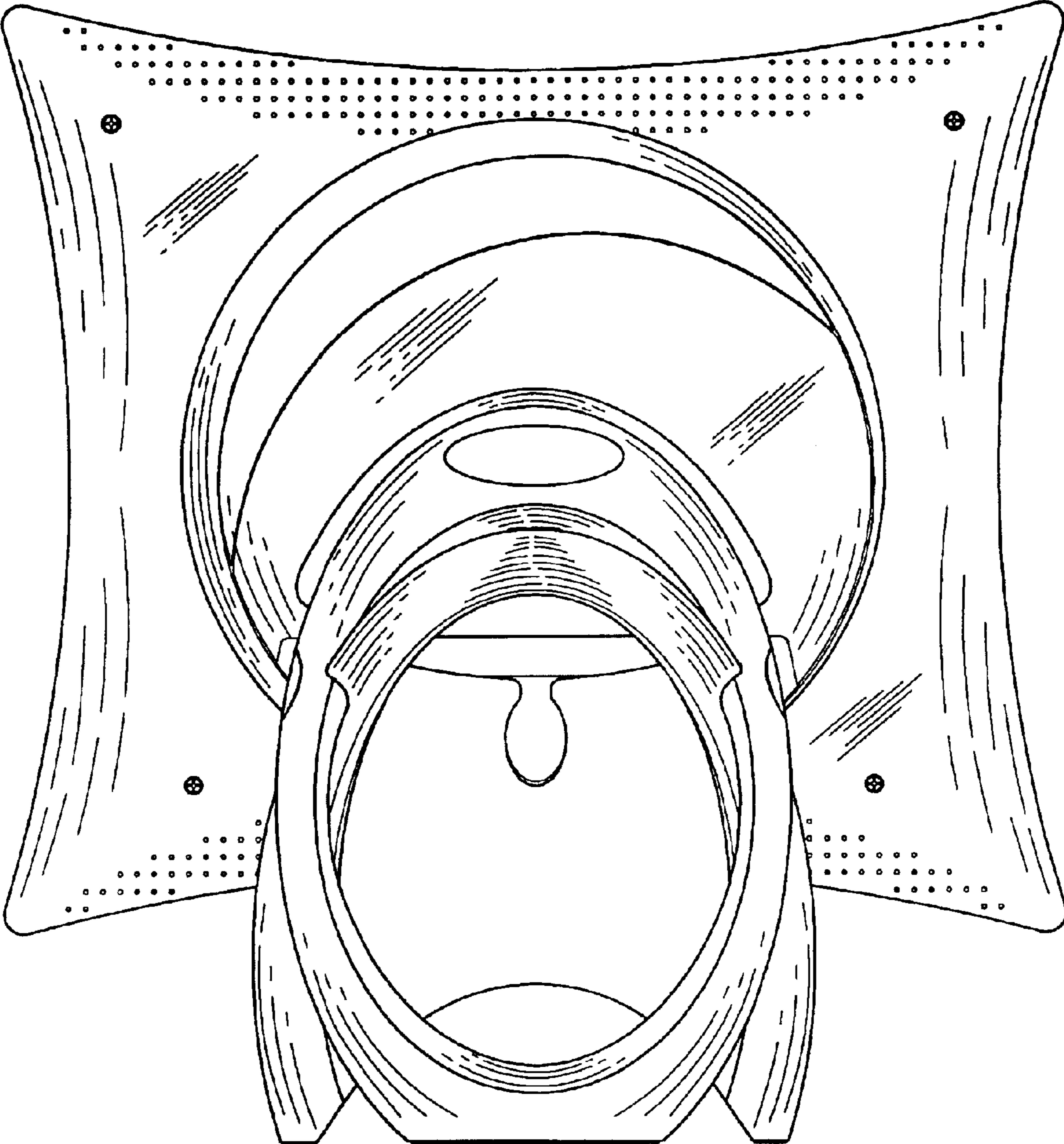


Fig. 7