



US00D496929S1

(12) **United States Design Patent**
Liu

(10) **Patent No.:** **US D496,929 S**
(45) **Date of Patent:** **** Oct. 5, 2004**

(54) **TELEPHONE LINE DUPLEX SPLITTER**

6,368,160 B2 * 4/2002 Chang 439/676
D481,010 S * 10/2003 Yu D13/147

(75) Inventor: **Fabian Liu, Taipei (TW)**

* cited by examiner

(73) Assignee: **Tsay-E International Inc., Taipei (TW)**

Primary Examiner—Prabhakar Deshmukh

(**) Term: **14 Years**

Assistant Examiner—Selina Sikder

(74) *Attorney, Agent, or Firm*—Rosenberg, Klein & Lee

(21) Appl. No.: **29/185,601**

(57) **CLAIM**

(22) Filed: **Jul. 1, 2003**

The ornamental design for a telephone line duplex splitter, as shown.

(51) **LOC (7) Cl.** **13-03**

(52) **U.S. Cl.** **D14/256; D13/147**

(58) **Field of Search** D13/133, 146,
D13/147; D14/256; 439/344, 409, 425,
533, 638, 640, 654, 660, 676

DESCRIPTION

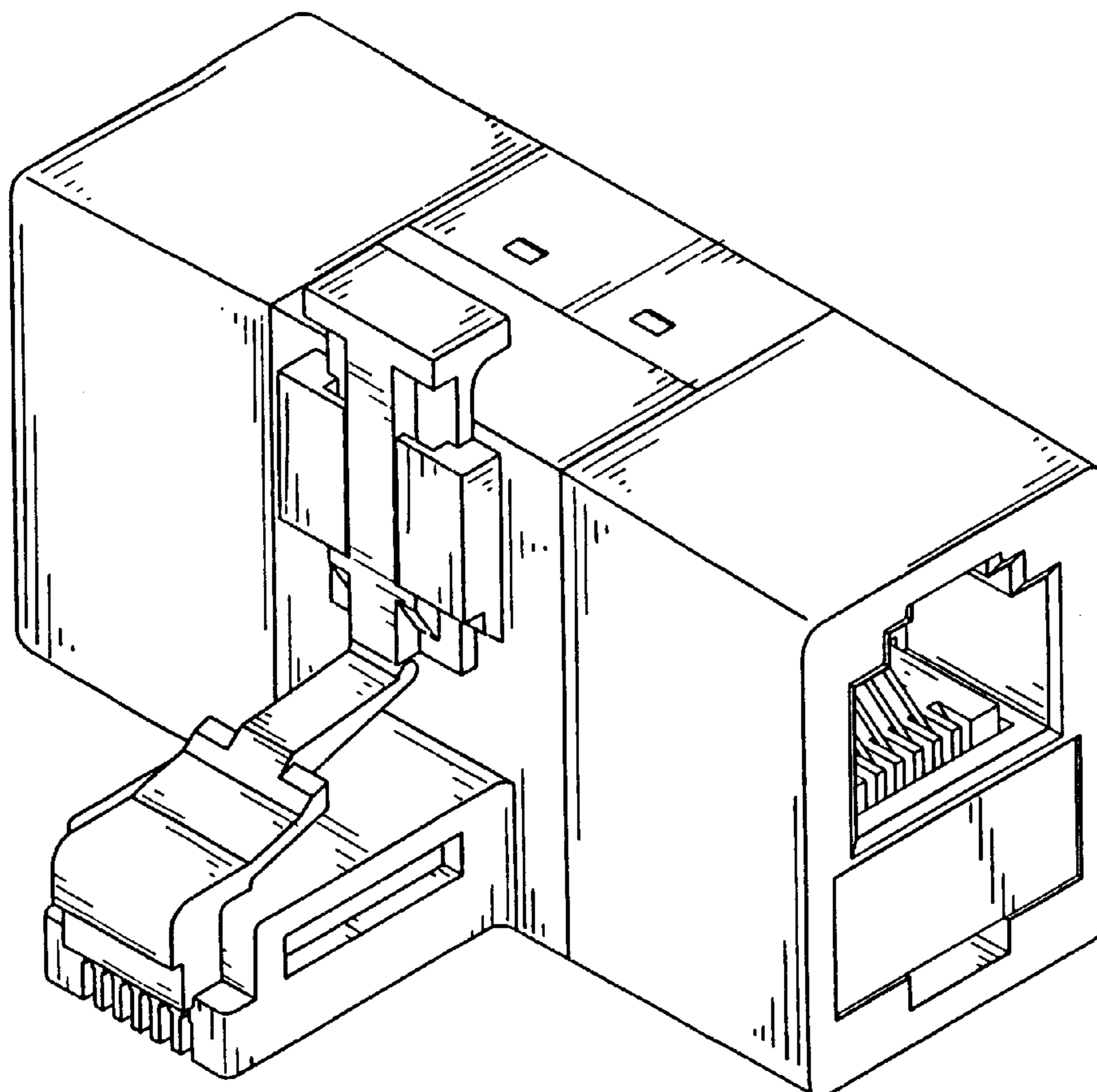
(56) **References Cited**

U.S. PATENT DOCUMENTS

4,295,702 A	*	10/1981	Snyder	439/425
5,044,981 A	*	9/1991	Suffi et al.	439/533
5,328,390 A	*	7/1994	Johnston et al.	439/638
5,762,518 A	*	6/1998	Tanigawa et al.	439/409
D425,868 S	*	5/2000	Doorhy et al.	D13/147
6,340,313 B1	*	1/2002	Hwang	439/638

FIG. 1 is a perspective view of a telephone line duplex splitter, showing my new design;
FIG. 2 is a front elevational view thereof;
FIG. 3 is a rear elevational view thereof;
FIG. 4 is a left side elevational view thereof;
FIG. 5 is a right side elevational view thereof;
FIG. 6 is a top plan view thereof; and,
FIG. 7 is a bottom plan view thereof.
The broken line showing of the environment is for illustrative purpose only and forms no part of the claimed design.

1 Claim, 6 Drawing Sheets



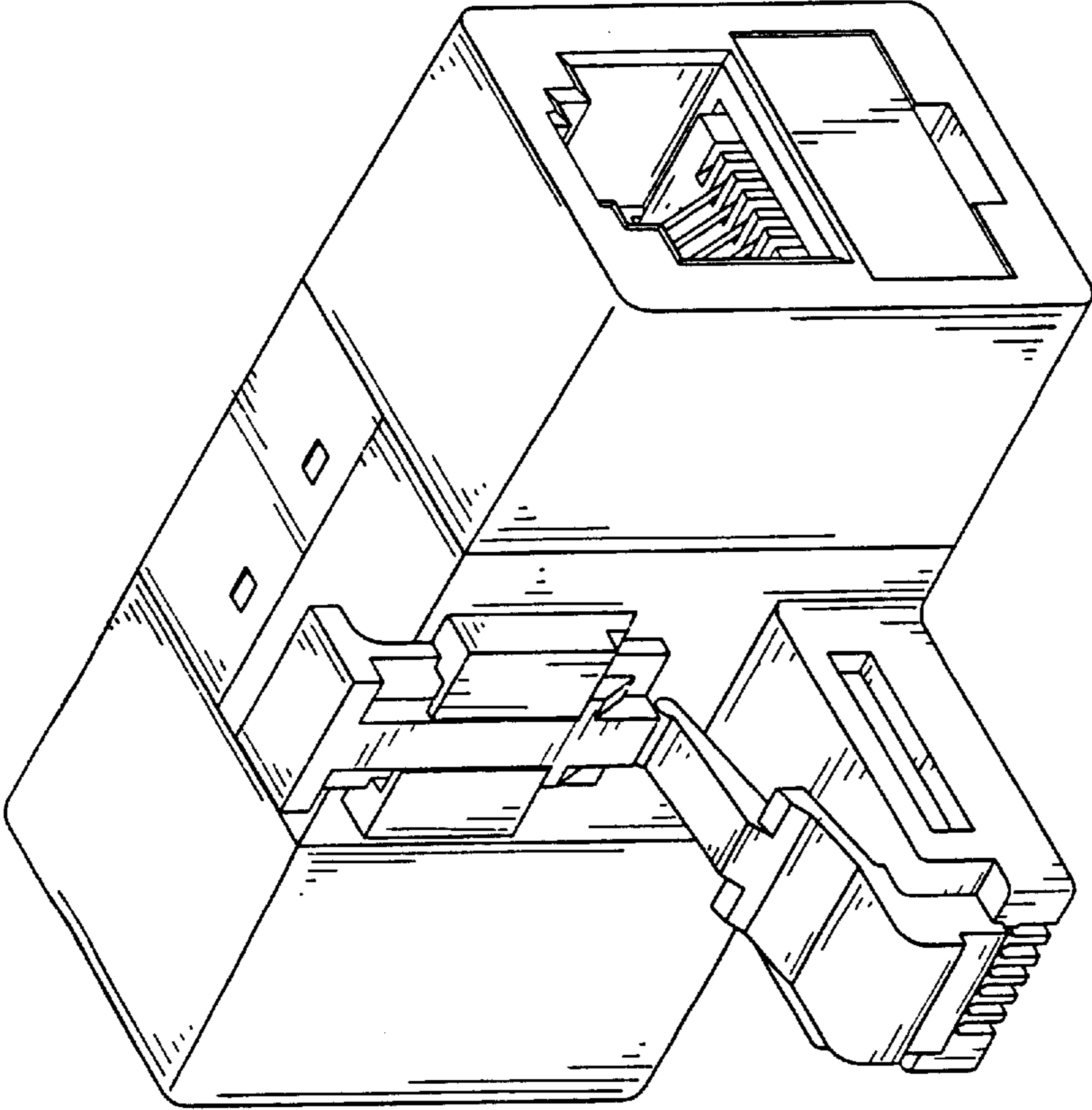


FIG.1

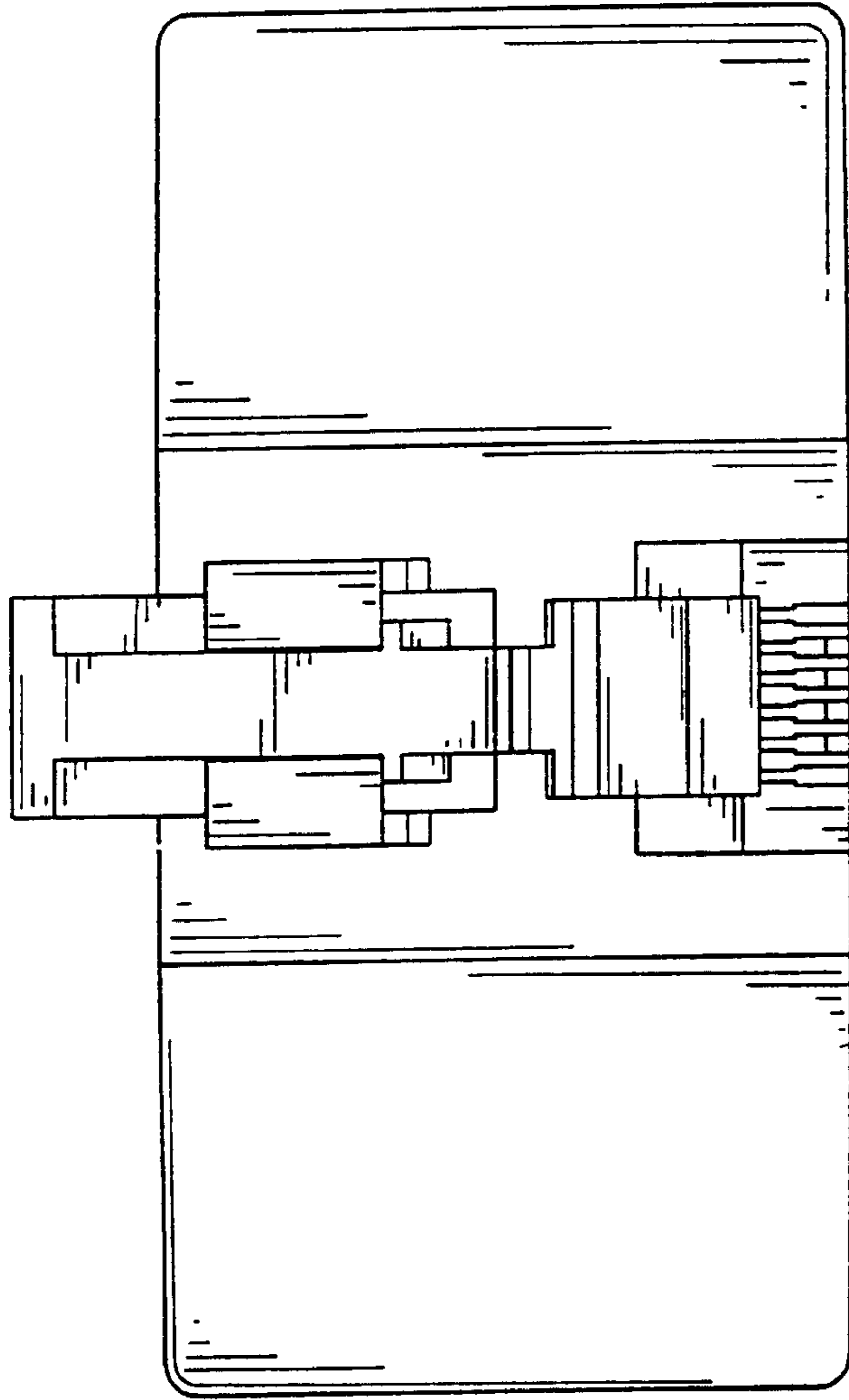


FIG. 2

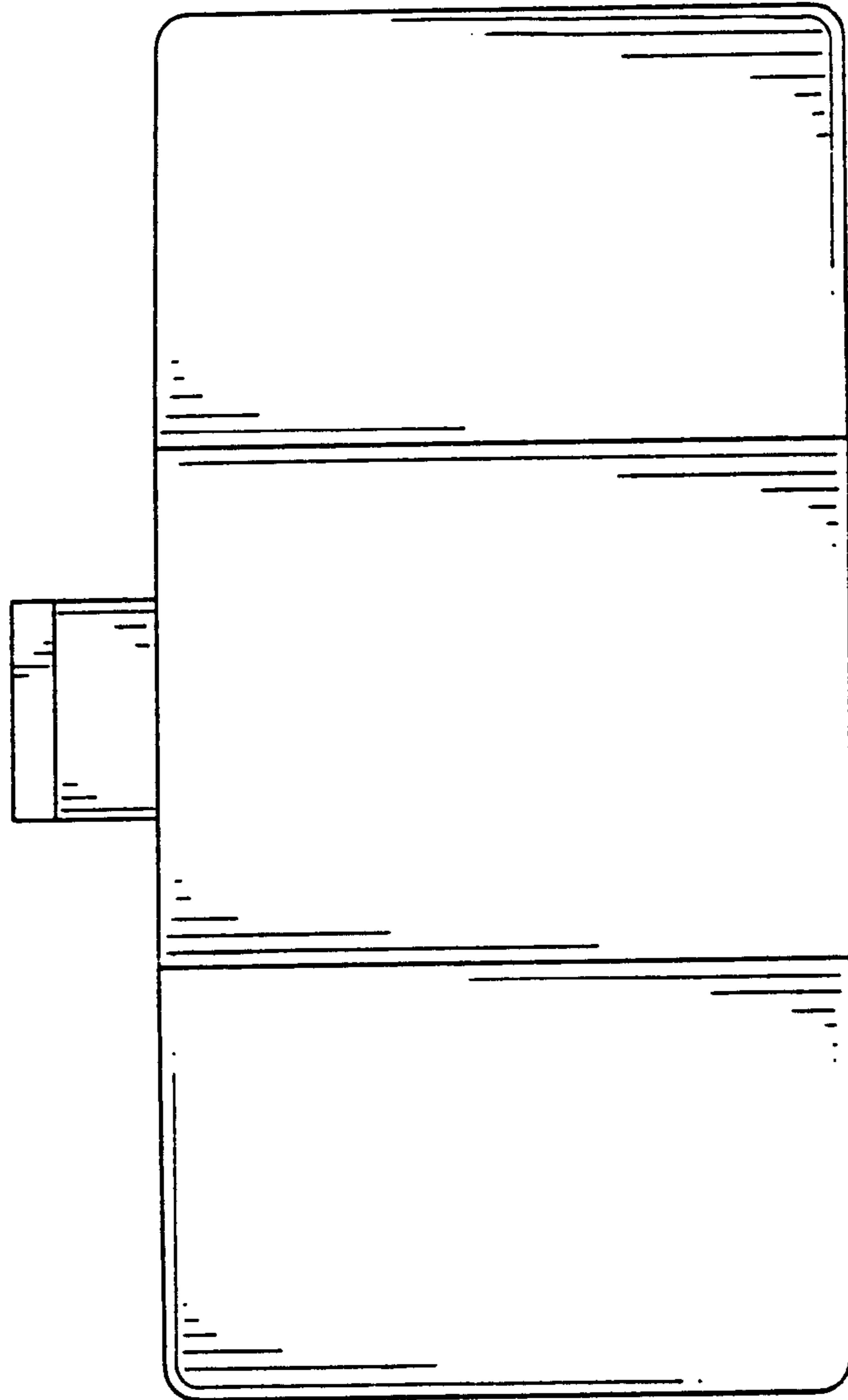


FIG. 3

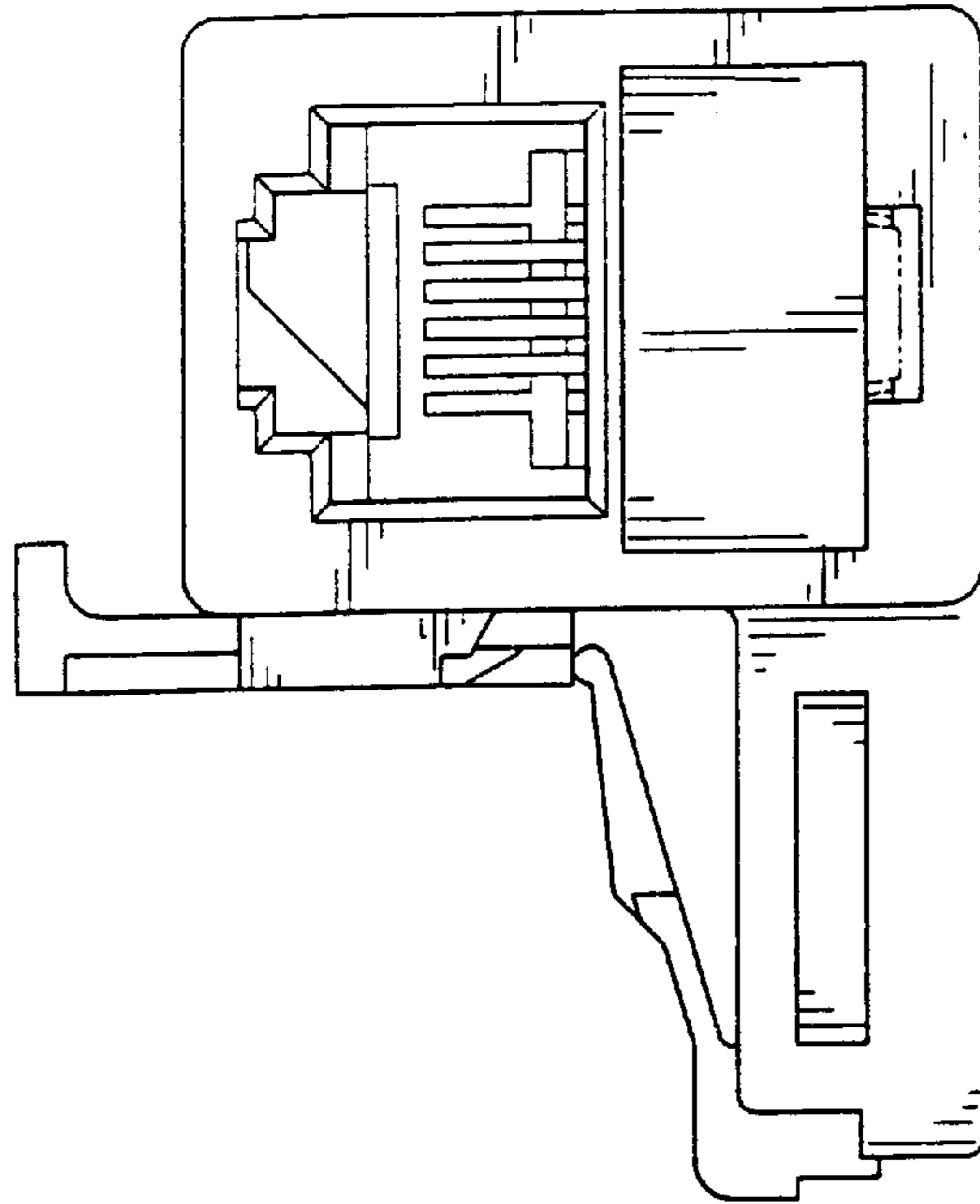


FIG. 5

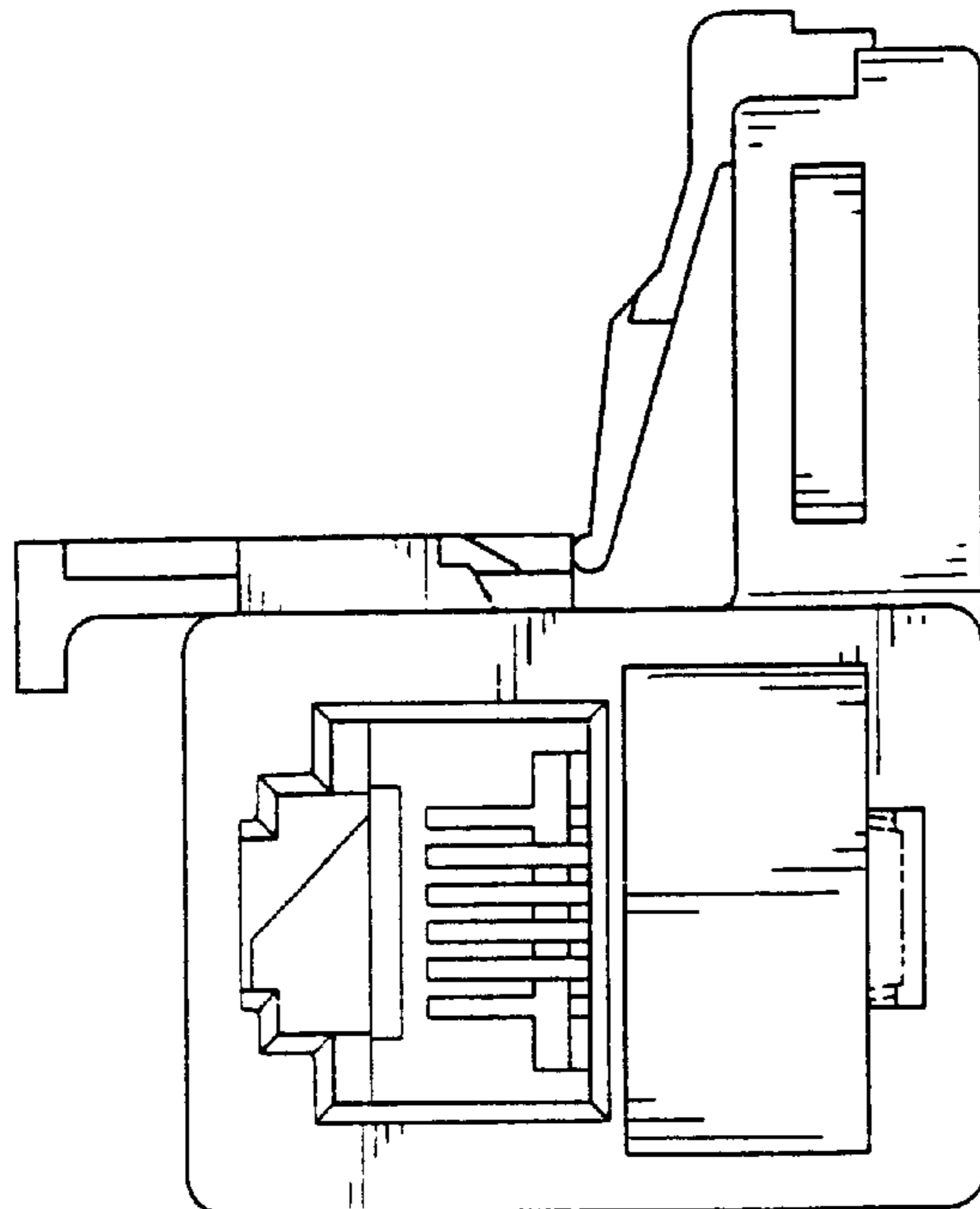


FIG. 4

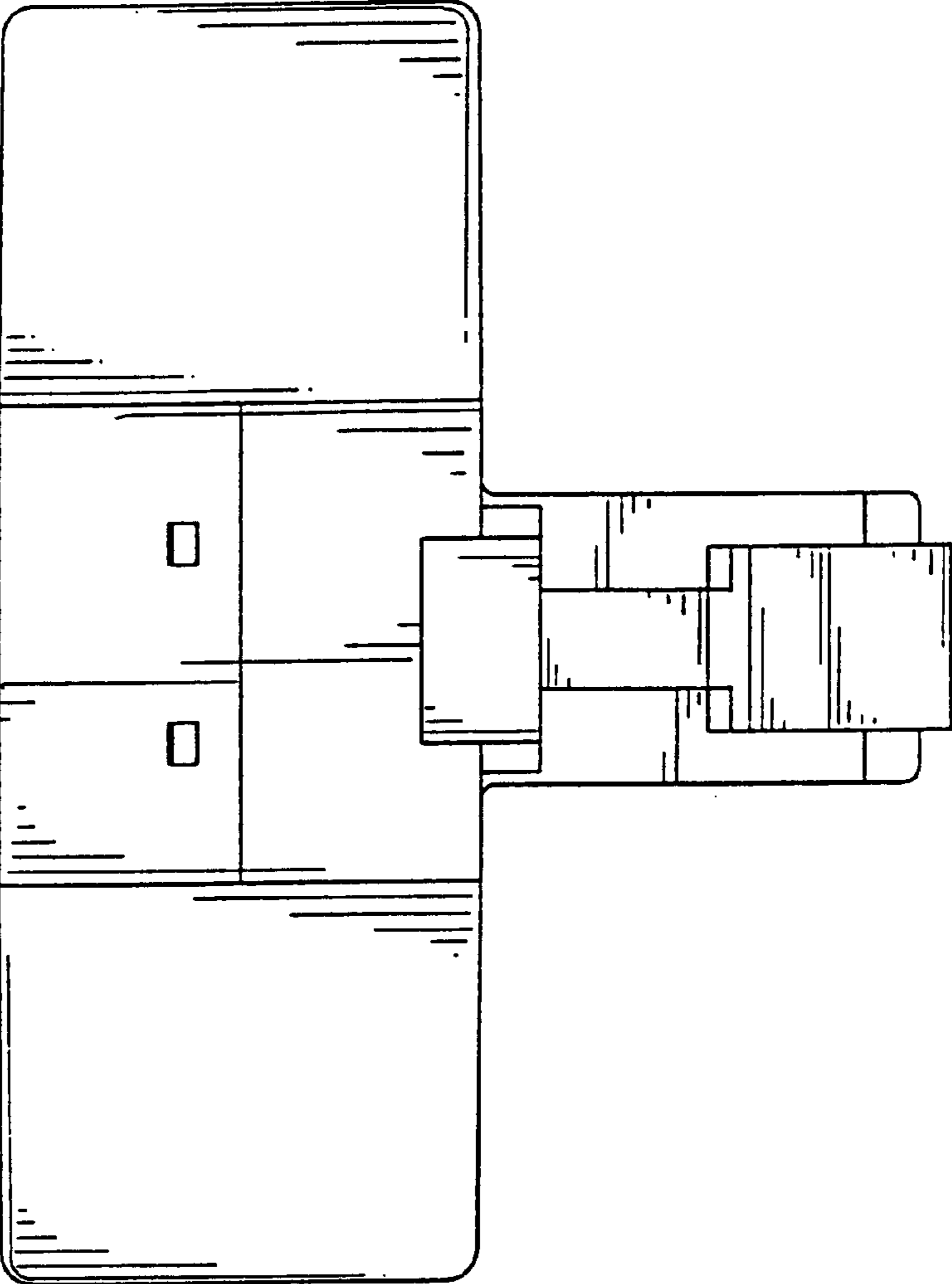


FIG. 6

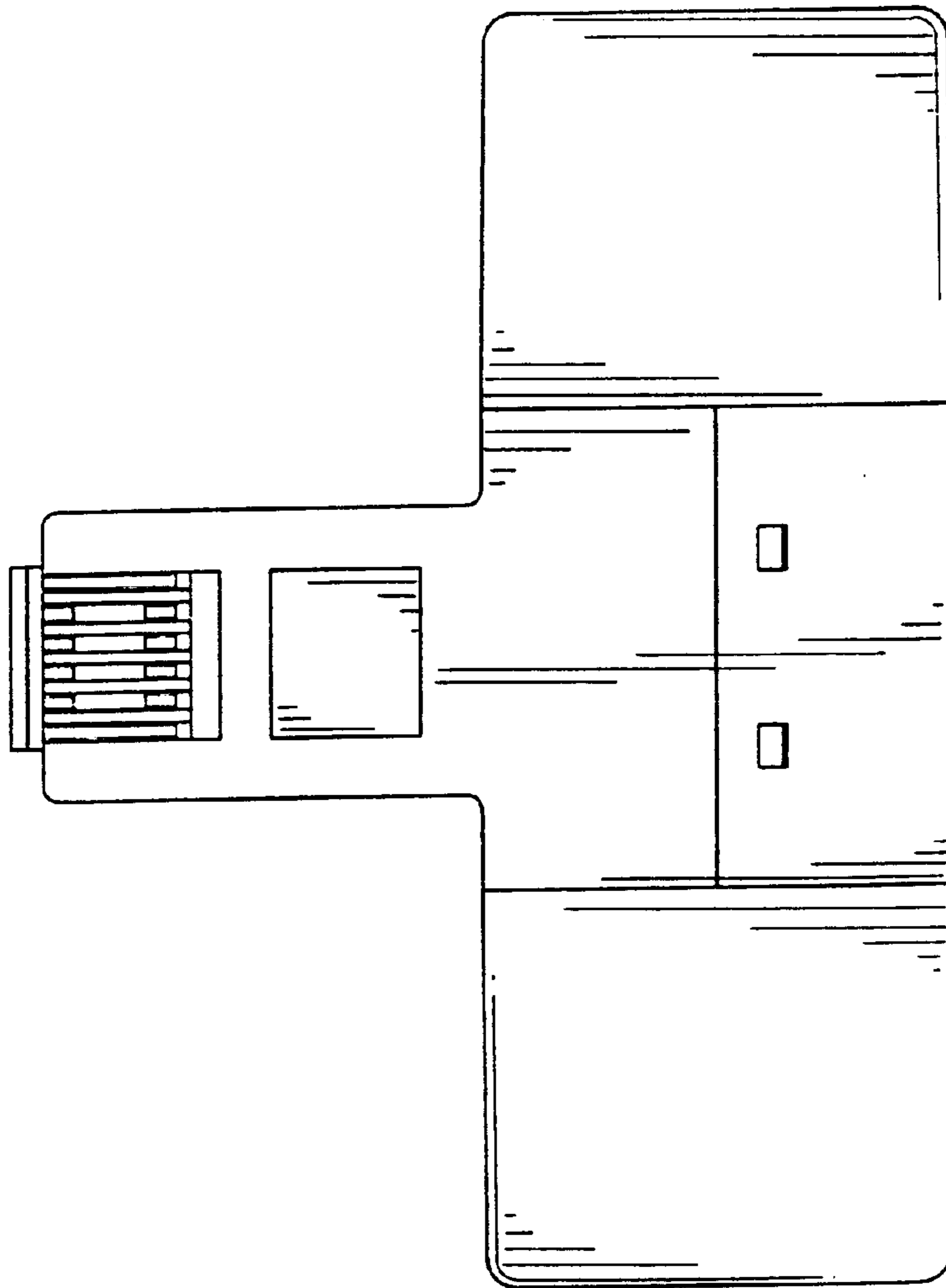


FIG.7