

US00D496920S1

(12) **United States Design Patent**
Peng et al.

(10) **Patent No.:** **US D496,920 S**
(45) **Date of Patent:** **** Oct. 5, 2004**

(54) **CELLULAR PHONE**

(75) Inventors: **Chun-Chieh Peng**, Taipei (TW);
Feng-Chun Wang, Taipei Hsien (TW)

(73) Assignee: **Quanta Computer, Inc.**, Taoyuan
Hsien (TW)

(**) Term: **14 Years**

(21) Appl. No.: **29/199,610**

(22) Filed: **Feb. 17, 2004**

(51) **LOC (7) Cl.** **14-03**

(52) **U.S. Cl.** **D14/138**

(58) **Field of Search** D14/137, 138,
D14/218, 147-148, 247-249, 401, 144,
455, 456, 341-347, 338-340, 399, 426,
387, 429, 453, 244, 246; 379/433.01-433.13,
434, 419, 420.01-420.04, 428.01-428.02,
440, 368-370; 455/550.1-90.3; D13/168;
D18/2, 7; 345/168, 169; D21/329, 331,
517; D10/37, 126; D11/80; D28/78, 79,
82

(56) **References Cited**

U.S. PATENT DOCUMENTS

D16,127 S	*	6/1885	Ladd	D10/37
D225,586 S	*	12/1972	Stahl	D28/82
D249,332 S	*	9/1978	Hauf	D9/420
D291,991 S	*	9/1987	Lee	D14/147
D292,286 S	*	10/1987	Basch	D14/143
D292,581 S	*	11/1987	Yoshiharu	D14/147
D310,093 S	*	8/1990	Sakaguchi et al.	D18/7
D358,149 S	*	5/1995	Fellinger	D14/138
D359,733 S	*	6/1995	Fellinger	D14/138
D363,069 S	*	10/1995	Bro	D14/191
D371,126 S	*	6/1996	Bro	D14/138
D371,792 S	*	7/1996	Patton	D14/218
D371,793 S	*	7/1996	Patton	D14/218
D408,590 S	*	4/1999	Litton	D28/82
D424,558 S	*	5/2000	Hong	D14/143
D424,751 S	*	5/2000	Kudo et al.	D28/78
D427,172 S	*	6/2000	Bequir	D14/138
D439,376 S	*	3/2001	Lerolle	D28/82
D447,476 S	*	9/2001	Chaiken et al.	D14/345
D451,485 S	*	12/2001	Moss	D14/138
D465,466 S	*	11/2002	Hyun	D14/138

D468,283 S	*	1/2003	Hong et al.	D14/138
D469,367 S	*	1/2003	Mirabelli et al.	D10/65
D473,345 S	*	4/2003	Thorpe	D28/82
D476,572 S	*	7/2003	Merritt	D9/504
D487,082 S	*	2/2004	Wang et al.	D14/247
D487,263 S	*	3/2004	Wang et al.	D14/247
D487,441 S	*	3/2004	Wang et al.	D14/138
D487,442 S	*	3/2004	Wang et al.	D14/138
D487,454 S	*	3/2004	Wang et al.	D14/247
D488,142 S	*	4/2004	Wang et al.	D14/138
D488,151 S	*	4/2004	Pitt et al.	D14/247
D489,045 S	*	4/2004	Wang et al.	D14/138
D489,343 S	*	5/2004	Wang et al.	D14/138
2002/0068617 A1	*	6/2002	Han	455/569

FOREIGN PATENT DOCUMENTS

WO	DM/058448	*	12/2001
WO	DM/062031	*	11/2002
WO	DM/064370	*	9/2003

* cited by examiner

Primary Examiner—Jeffrey Asch

(74) *Attorney, Agent, or Firm*—Thomas, Kayden,
Horstemeyer & Risley

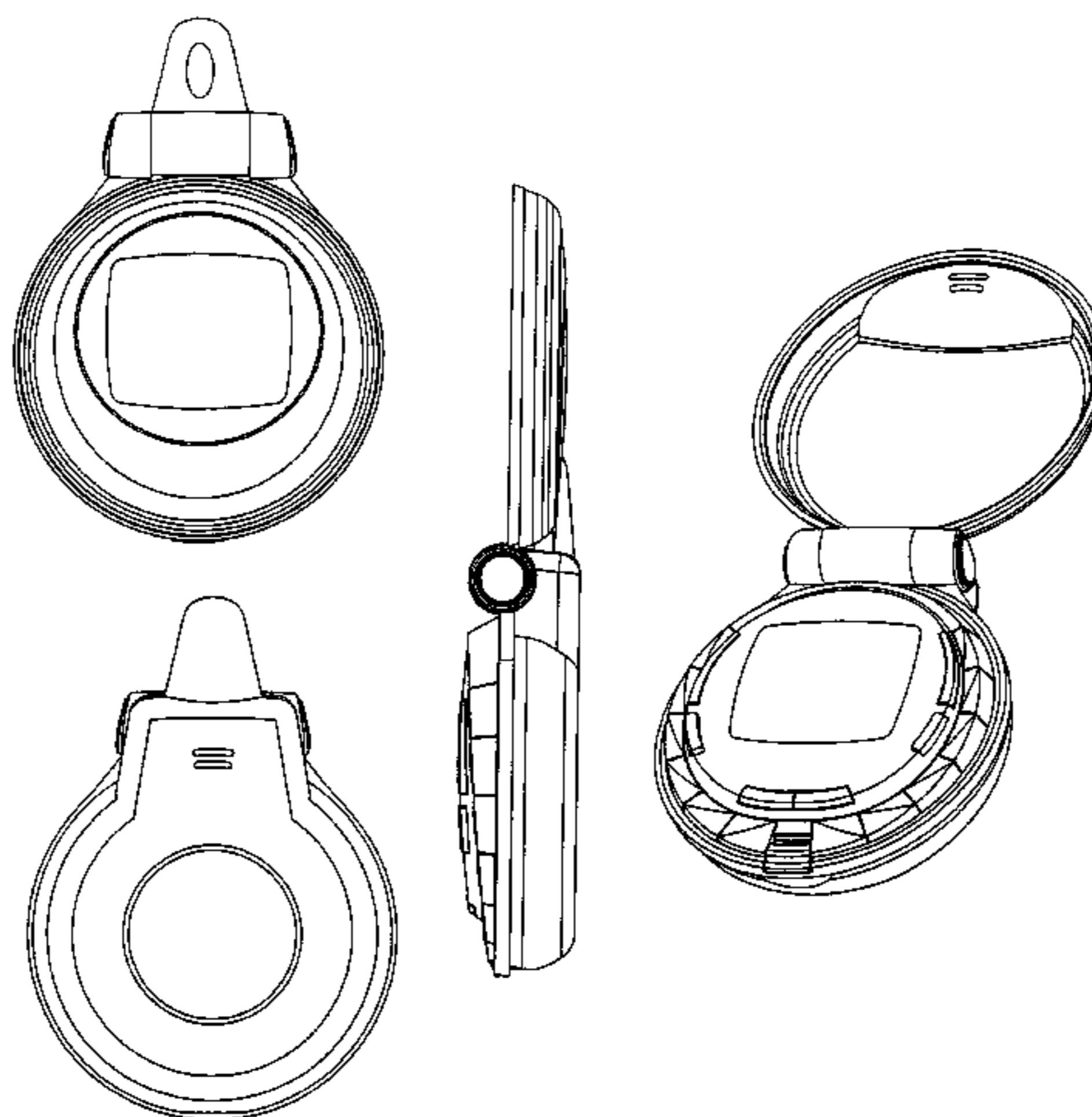
(57) **CLAIM**

The ornamental design for a cellular phone, as shown and described.

DESCRIPTION

FIG. 1 is a front elevational view of a cellular phone showing our new design with the lid in a closed position; FIG. 2 is a rear elevational view thereof; FIG. 3 is a left side elevational view thereof; FIG. 4 is a right side elevational view thereof; FIG. 5 is a top plan view thereof; FIG. 6 is a bottom plan view thereof; FIG. 7 is a front, side perspective view thereof; FIG. 8 is a front elevational view of a cellular phone showing our new design with the lid in an open position; FIG. 9 is a rear elevational view thereof; FIG. 10 is a left side elevational view thereof; FIG. 11 is a right side elevational view thereof; FIG. 12 is a top plan view thereof; FIG. 13 is a bottom plan view thereof; and, FIG. 14 is a front side perspective view thereof.

1 Claim, 8 Drawing Sheets



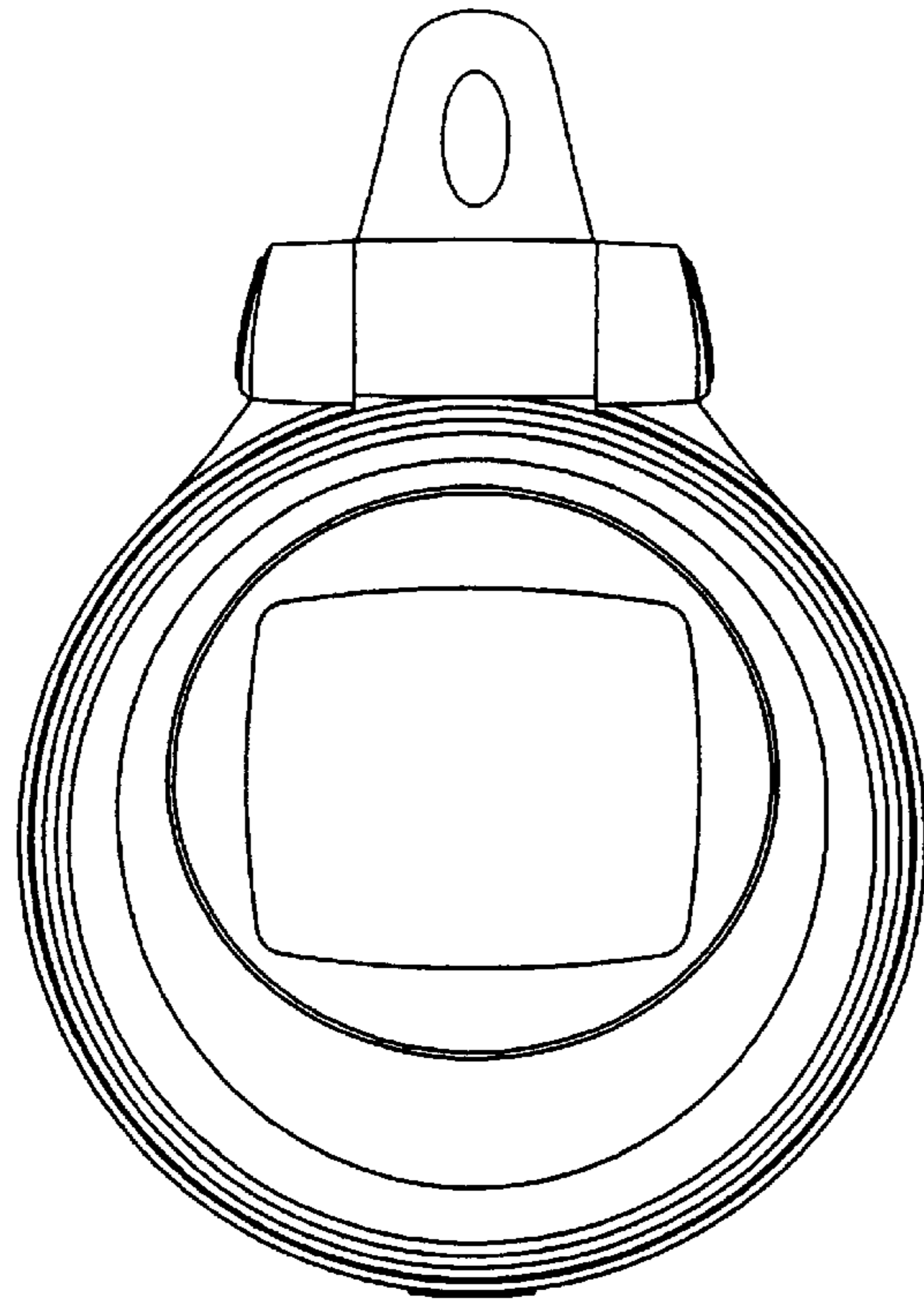


Fig. 1

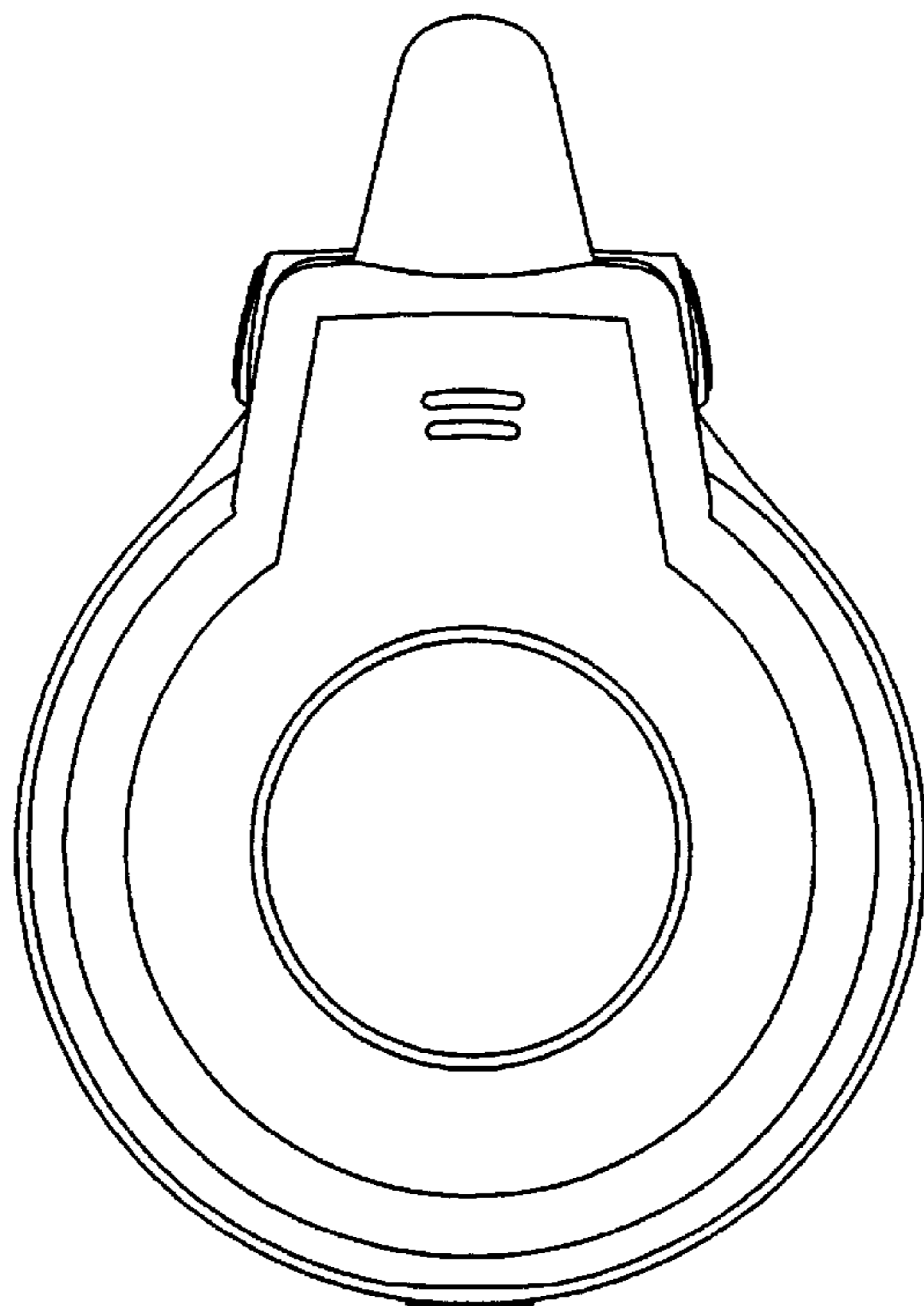


Fig. 2

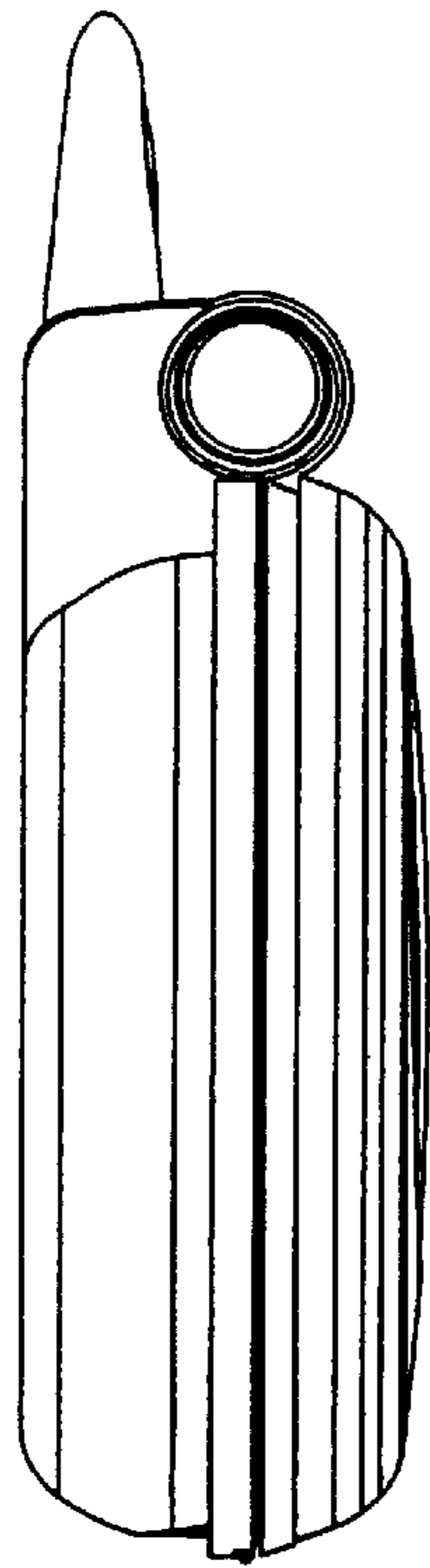


Fig. 3

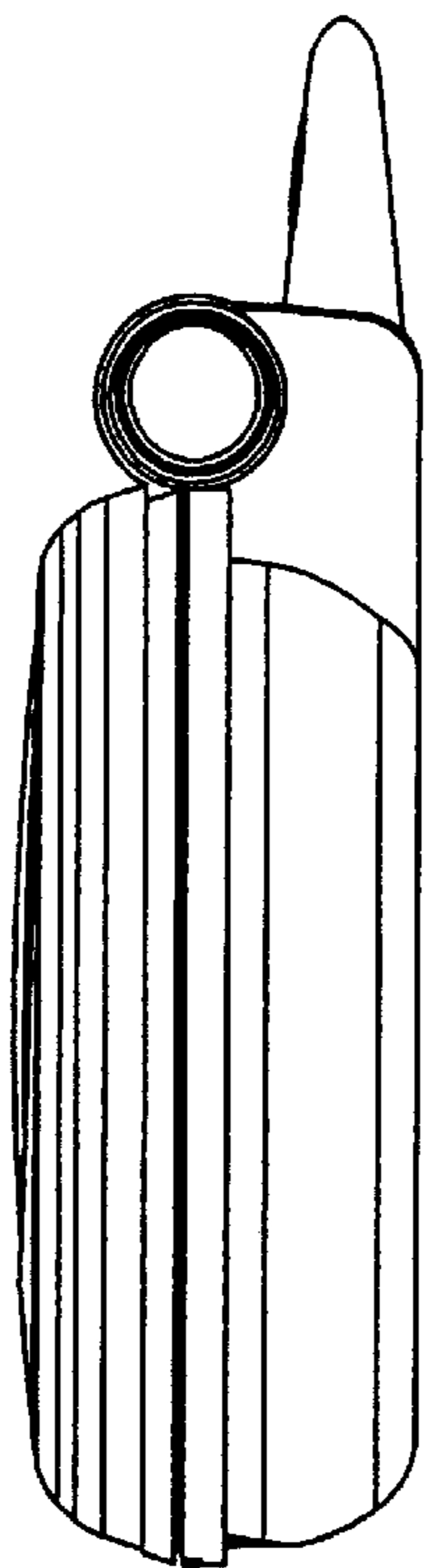


Fig. 4

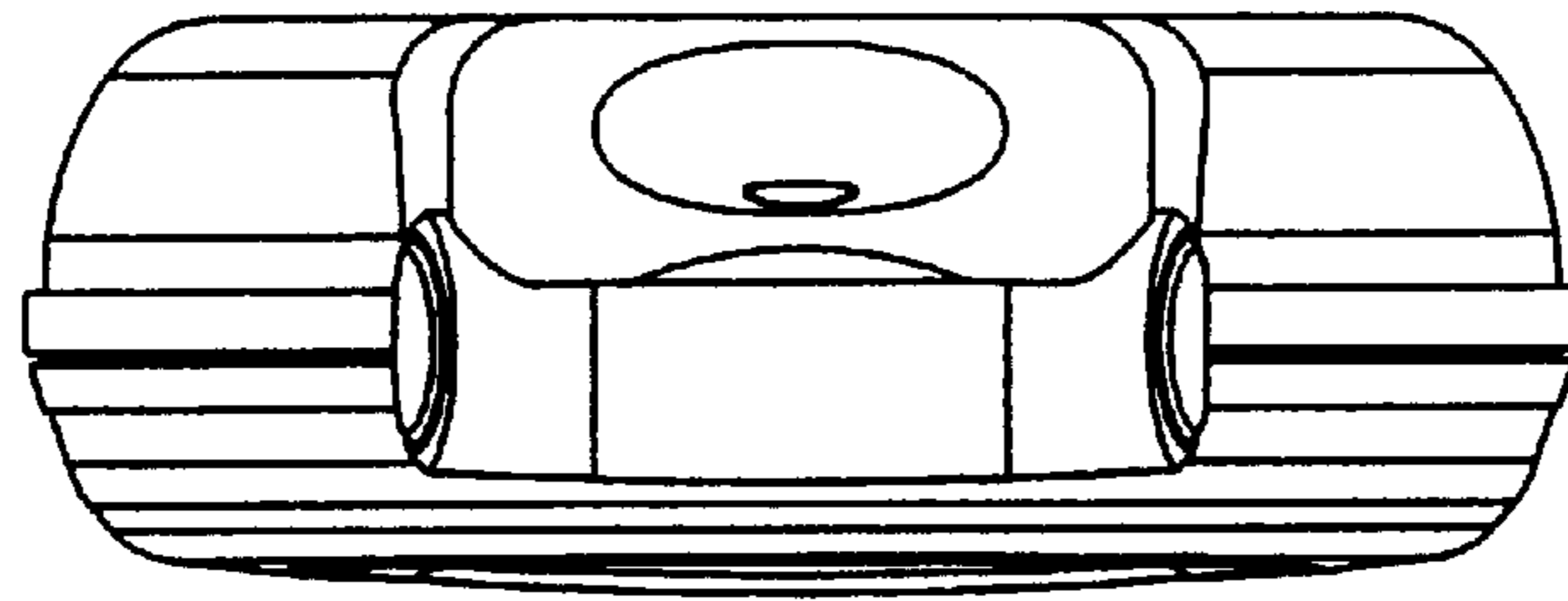


Fig. 5

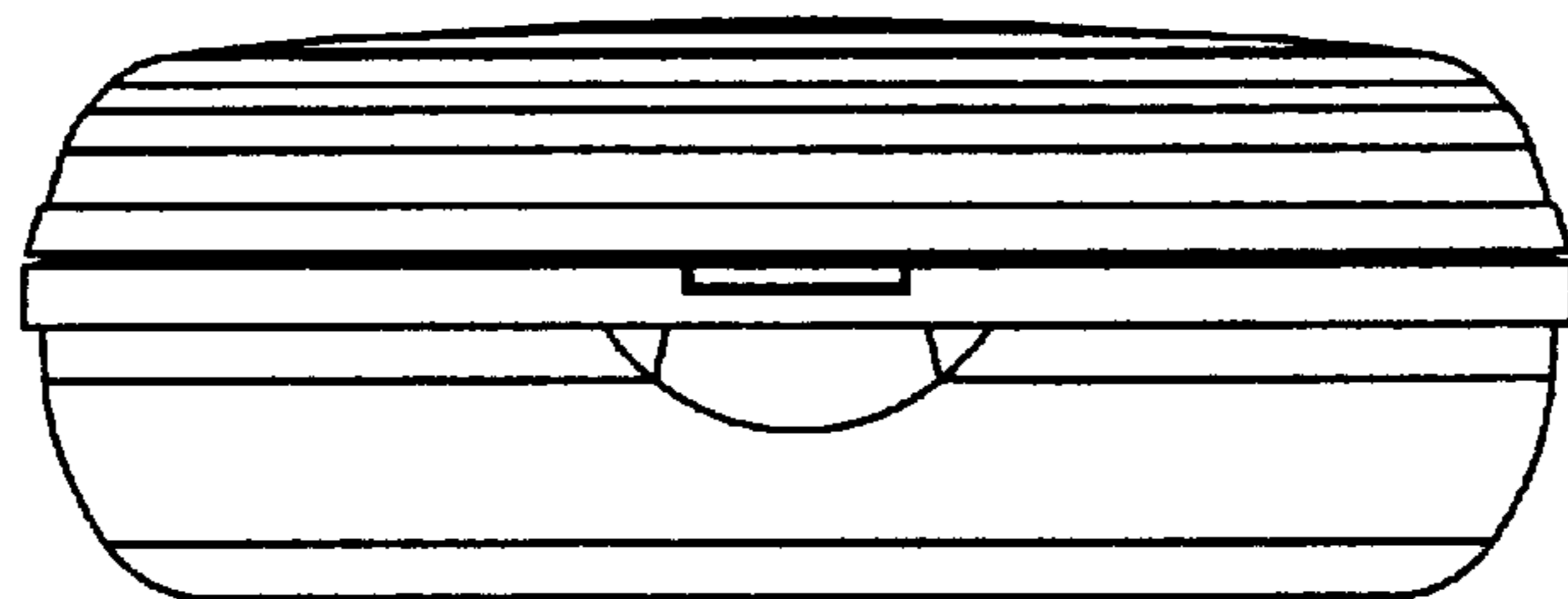


Fig. 6

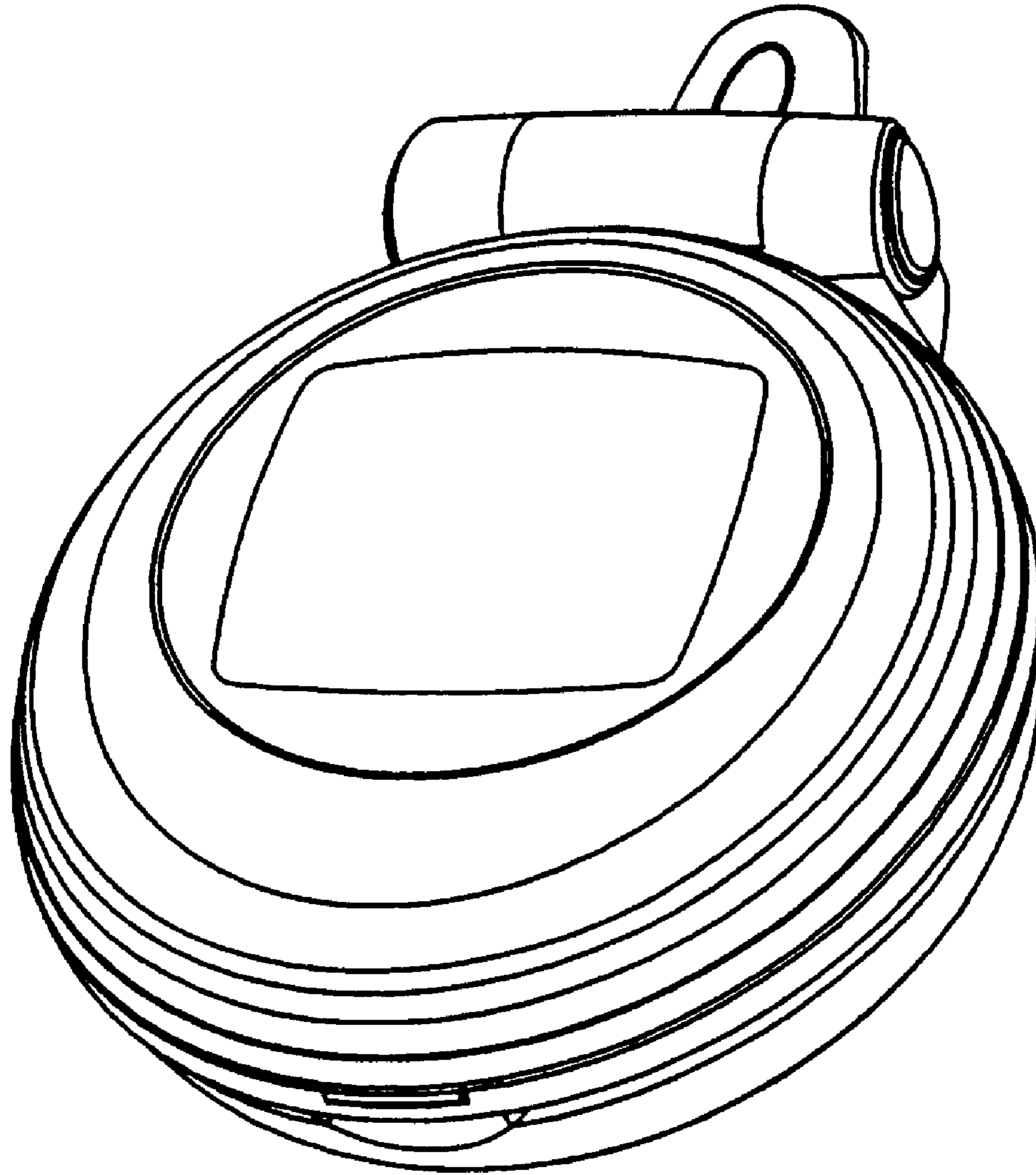


Fig. 7

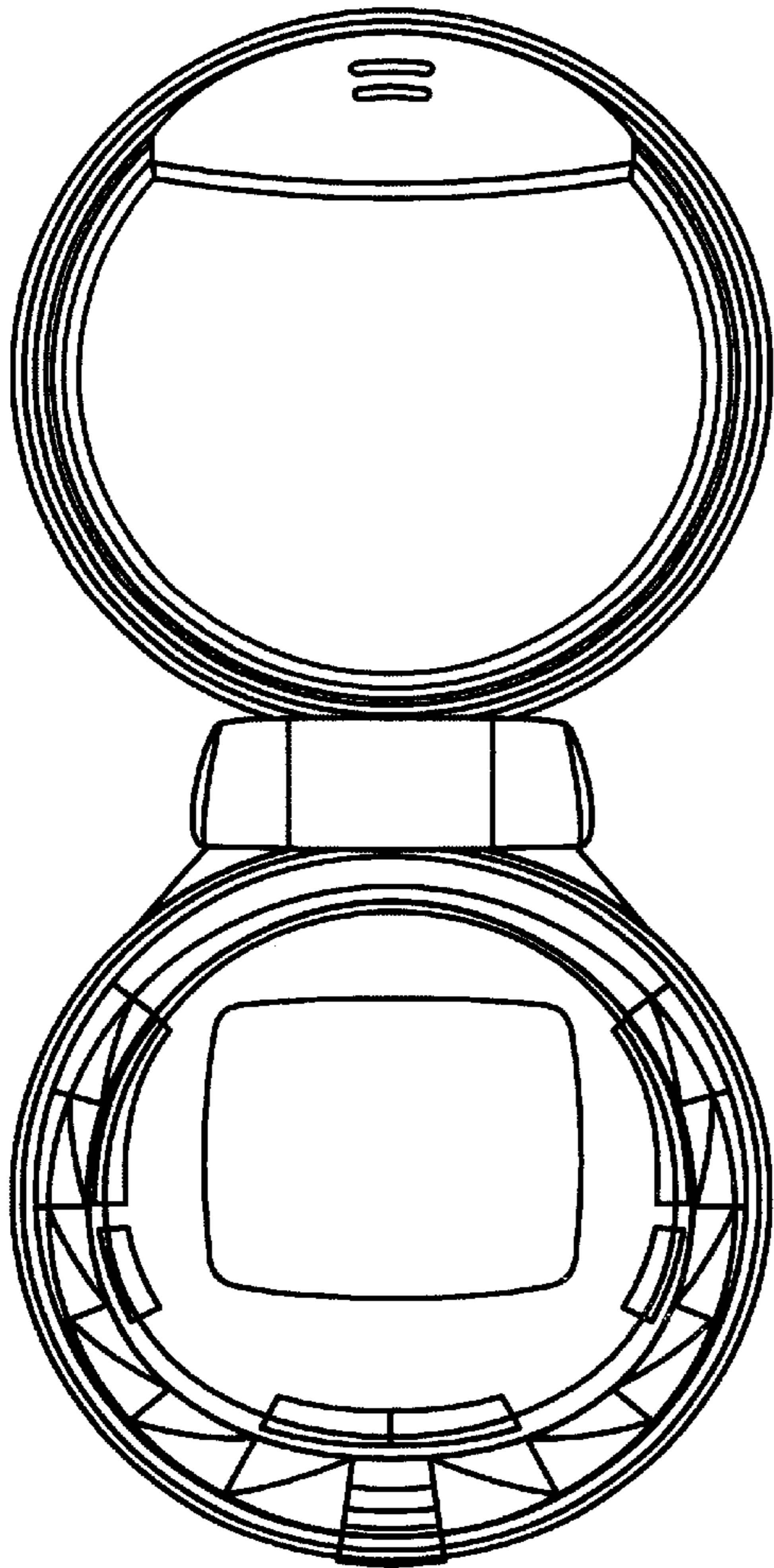


Fig. 8

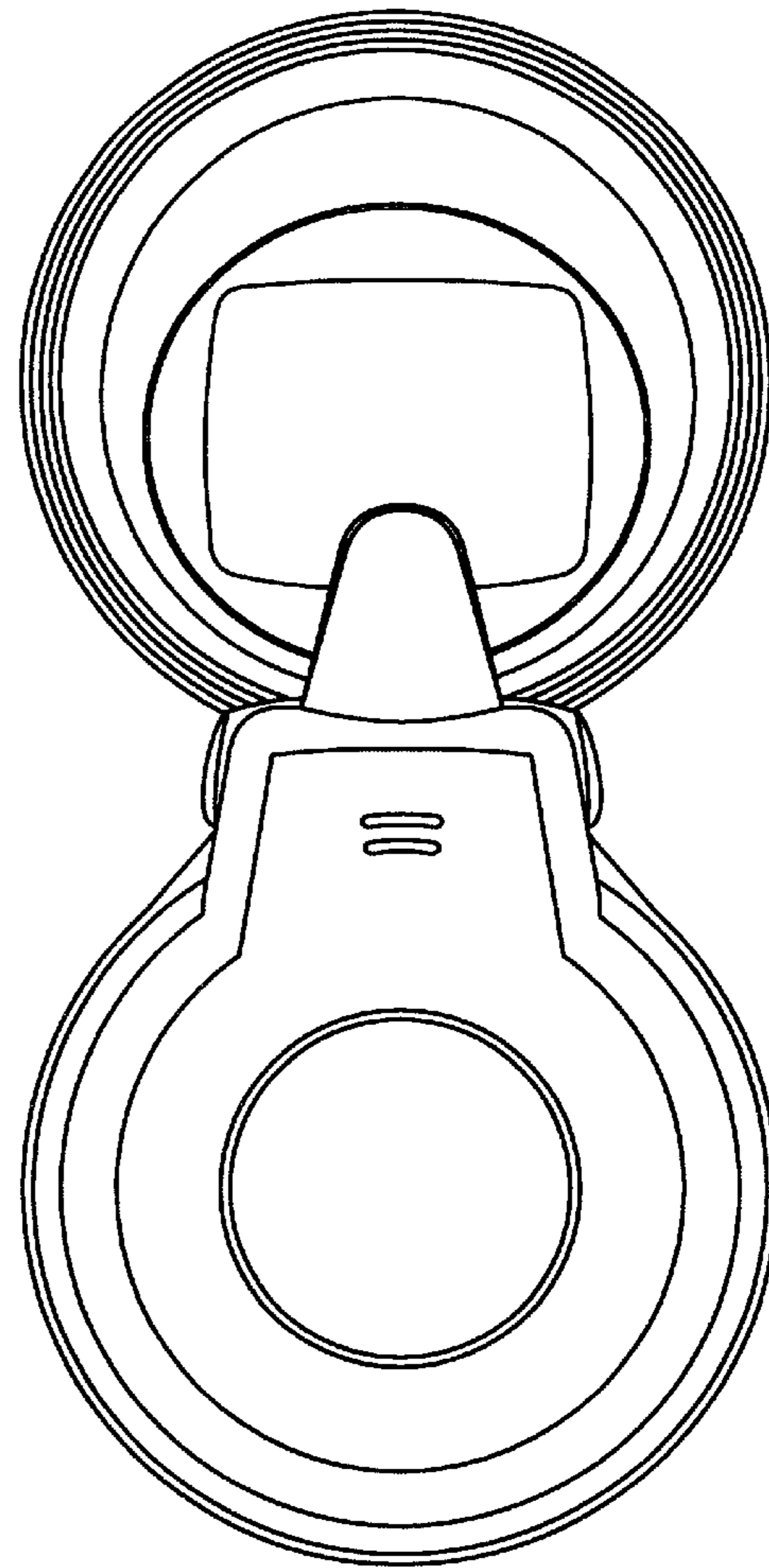


Fig. 9

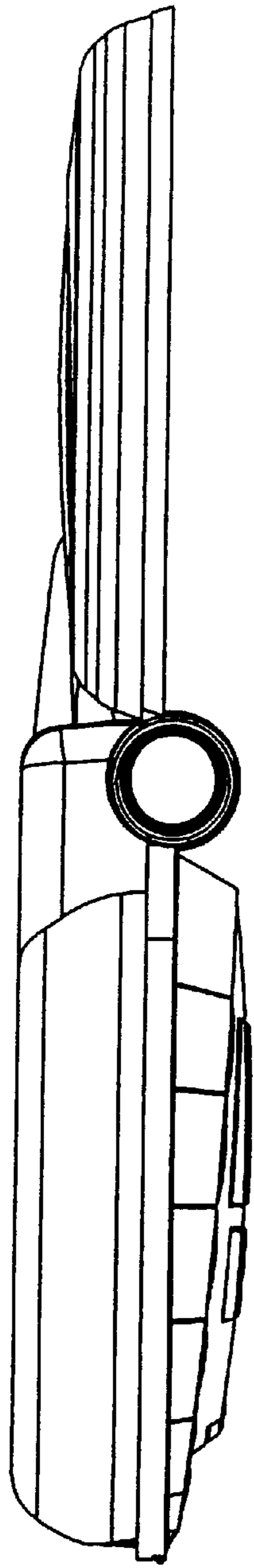


Fig. 10

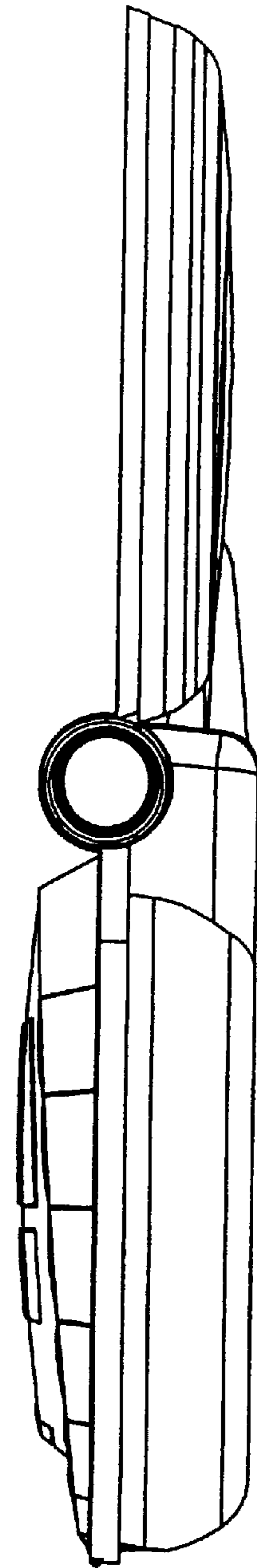


Fig. 11

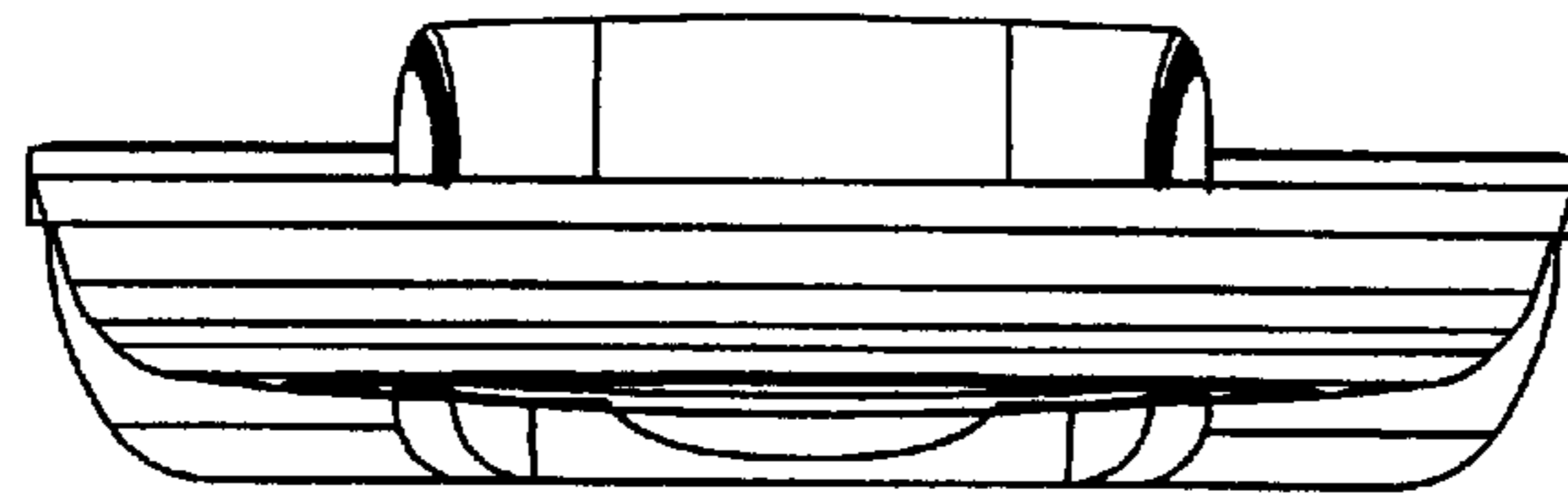


Fig. 12

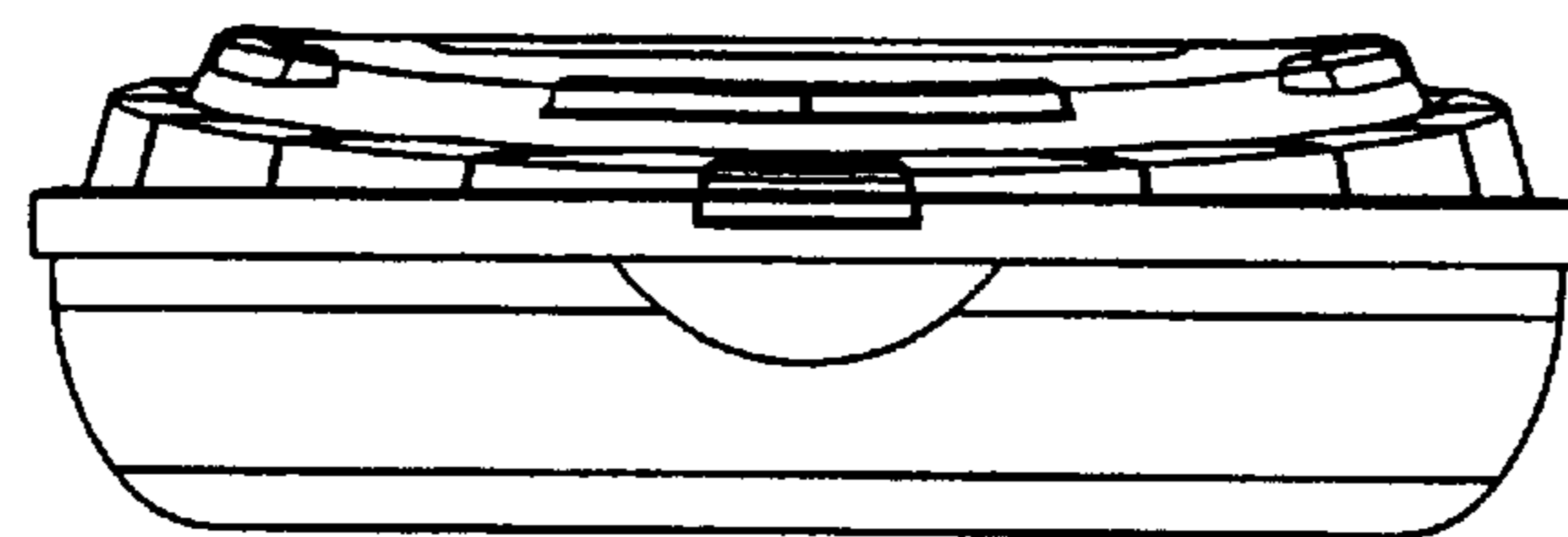


Fig. 13

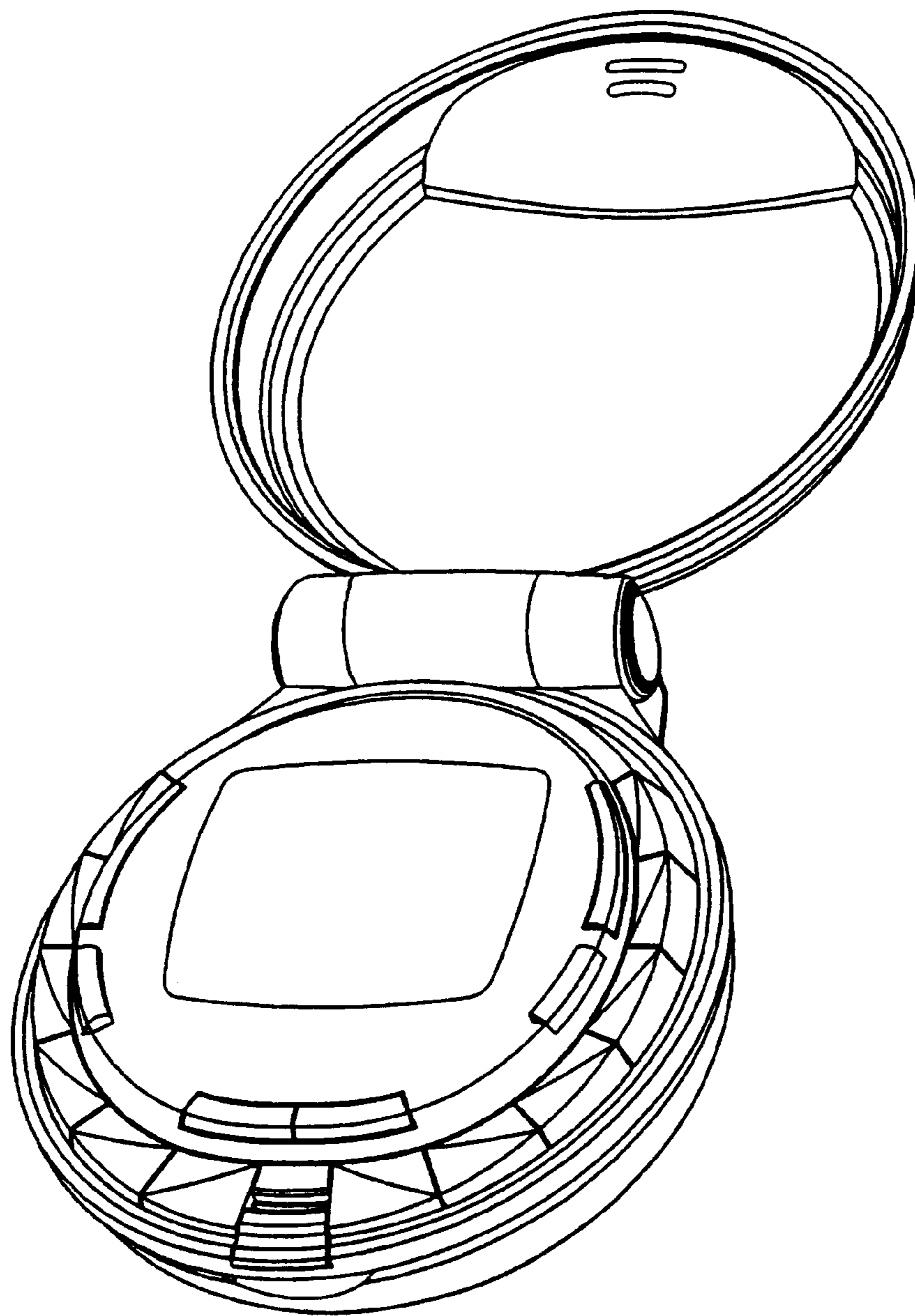


Fig. 14