

US00D496916S1

(12) **United States Design Patent**  
**Wang et al.**

(10) **Patent No.: US D496,916 S**  
(45) **Date of Patent: \*\* Oct. 5, 2004**

(54) **CELLULAR PHONE**

(75) Inventors: **Feng-Chun Wang**, Taichung (TW);  
**Gwo-Chyuan Chen**, Taipei (TW)

(73) Assignee: **Quanta Computer, Inc.**, Taoyuan  
Hsien (TW)

(\*\*) Term: **14 Years**

(21) Appl. No.: **29/188,324**

(22) Filed: **Aug. 15, 2003**

(51) **LOC (7) Cl.** ..... **14-03**

(52) **U.S. Cl.** ..... **D14/138**

(58) **Field of Search** ..... D14/137, 138,  
D14/218, 147-148, 247-249, 401, 144,  
455, 456, 341-347, 338-340, 399, 426,  
387, 429, 453, 244, 246; 379/433.01-433.13,  
434, 419, 420.01-420.04, 428.01-428.02,  
440, 368-370; 455/550.1-90.3; D13/168;  
D18/2, 7; 345/168, 169; D21/329, 331,  
517; D10/37, 126; D11/80; D28/78, 79,  
82

(56) **References Cited**

**U.S. PATENT DOCUMENTS**

- D16,127 S \* 6/1885 Ladd ..... D10/37
- D225,586 S \* 12/1972 Stahl ..... D28/82
- D249,332 S \* 9/1978 Hauf ..... D9/420
- D291,991 S \* 9/1987 Lee ..... D14/147
- D292,286 S \* 10/1987 Basch ..... D14/143
- D292,581 S \* 11/1987 Yoshiharu ..... D14/147
- D310,093 S \* 8/1990 Sakaguchi et al. .... D18/7
- D336,435 S \* 6/1993 Yusa ..... D10/2
- D339,299 S \* 9/1993 Kawashima ..... D10/31
- D358,149 S \* 5/1995 Fellingner ..... D14/138
- D359,733 S \* 6/1995 Fellingner ..... D14/138
- D363,069 S \* 10/1995 Bro ..... D14/191
- D371,126 S \* 6/1996 Bro ..... D14/138
- D371,792 S \* 7/1996 Patton ..... D14/218
- D371,793 S \* 7/1996 Patton ..... D14/218
- D392,336 S \* 3/1998 Liu ..... D21/329
- D424,558 S \* 5/2000 Hong ..... D14/143

- D424,751 S \* 5/2000 Kudo et al. .... D28/78
- D427,172 S \* 6/2000 Bequir ..... D14/138
- D434,016 S \* 11/2000 Hunt ..... D14/138

(List continued on next page.)

**FOREIGN PATENT DOCUMENTS**

- WO DM/058448 \* 12/2001
- WO DM/062031 \* 11/2002
- WO DM/06437 \* 9/2003

*Primary Examiner*—Jeffrey Asch

(74) *Attorney, Agent, or Firm*—Thomas, Kayden,  
Horstemeyer & Risley

(57) **CLAIM**

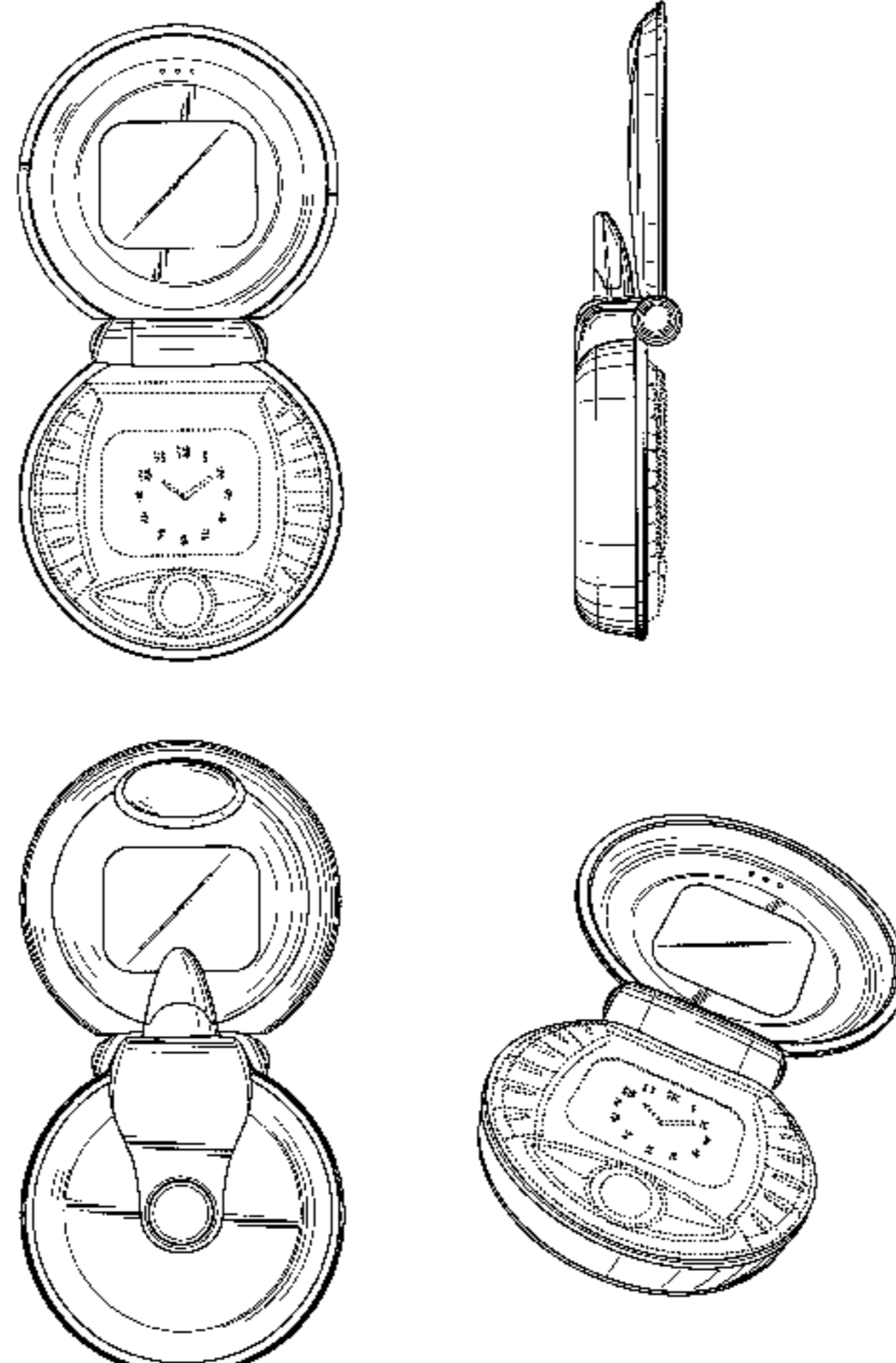
The ornamental design for a cellular phone, as shown and described.

**DESCRIPTION**

FIG. 1 is a front elevational view of a cellular phone showing our new design with the lid in a closed position; FIG. 2 is a rear elevational view thereof; FIG. 3 is a left side elevational view thereof; FIG. 4 is a right side elevational view thereof; FIG. 5 is a top plan view thereof; FIG. 6 is a bottom plan view thereof; FIG. 7 is a front, side perspective view thereof; FIG. 8 is another front, side perspective view thereof; FIG. 9 is a front elevational view of a cellular phone showing our new design with the lid in an open position; FIG. 10 is a rear elevational view thereof; FIG. 11 is a left side elevational view thereof; FIG. 12 is a right side elevational view thereof; FIG. 13 is a top plan view thereof; FIG. 14 is a bottom plan view thereof; FIG. 15 is a front, side perspective view thereof; and, FIG. 16 is a front elevational view thereof.

The broken lines showing the outline of all of the internal features on the bottom half of the phone including the keypad and clock is for illustration purposes only and forms no part of the claimed invention.

**1 Claim, 8 Drawing Sheets**



# US D496,916 S

Page 2

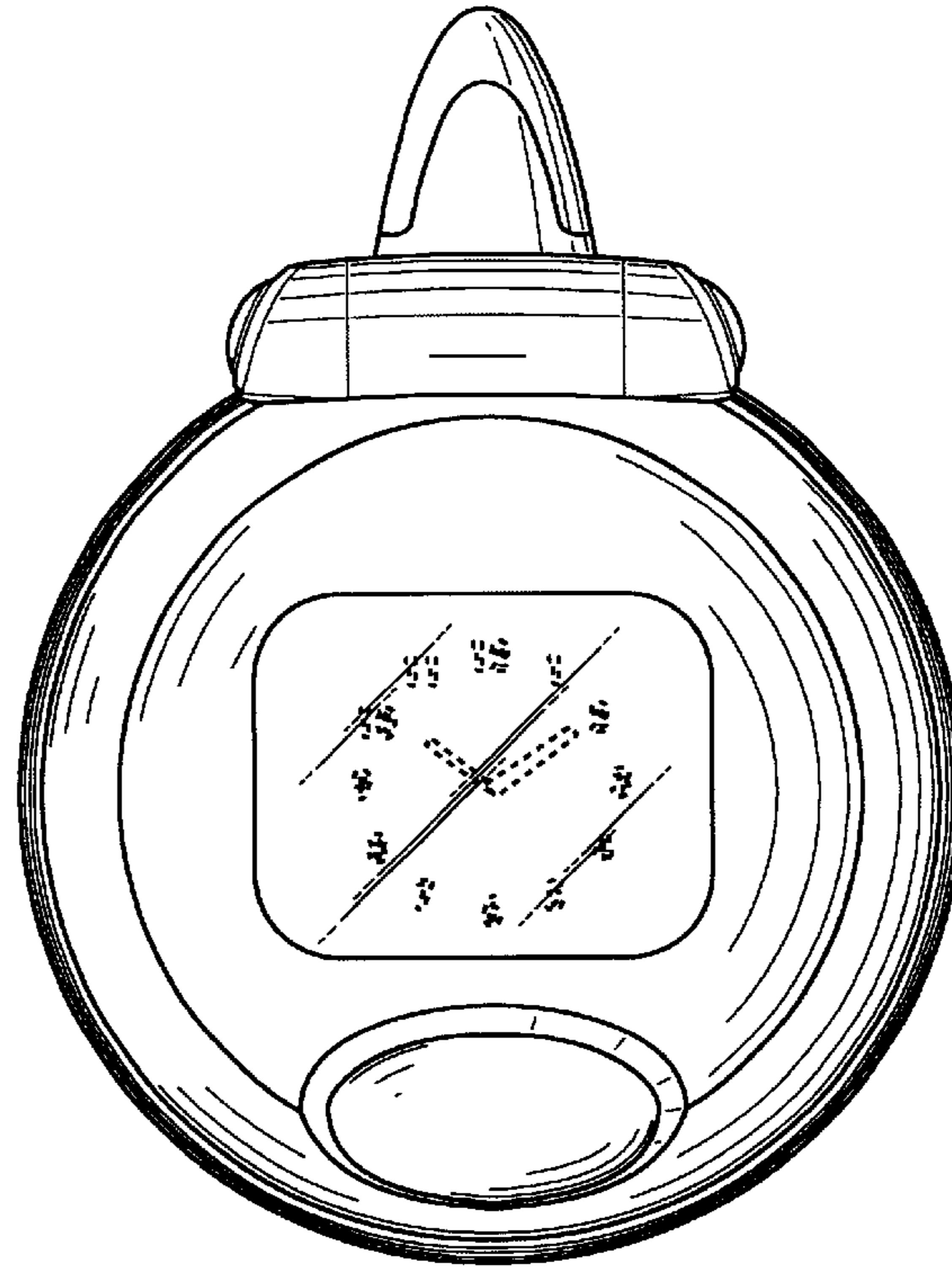
---

## U.S. PATENT DOCUMENTS

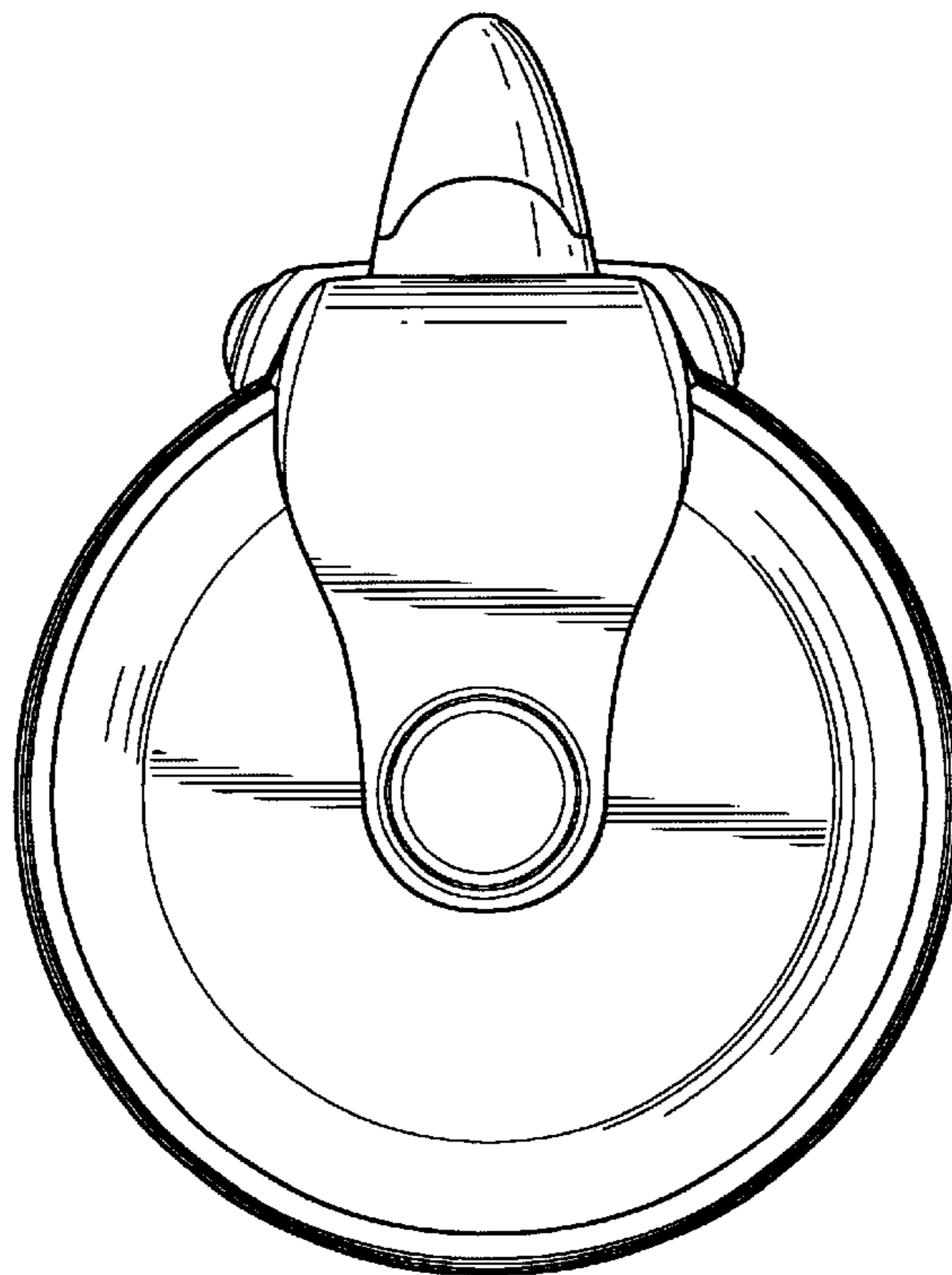
D439,376 S	*	3/2001	Lerolle .....	D28/82	D476,572 S	*	7/2003	Merritt .....	D9/504
D440,959 S	*	4/2001	Wolf et al. ....	D14/191	D487,441 S	*	3/2004	Wang et al. ....	D14/138
D447,476 S	*	9/2001	Chaiken et al. ....	D14/345	D487,442 S	*	3/2004	Wang et al. ....	D14/138
D451,078 S	*	11/2001	Kim .....	D14/138	D488,142 S	*	4/2004	Wang et al. ....	D14/138
D451,485 S	*	12/2001	Moss .....	D14/138	D489,045 S	*	4/2004	Wang et al. ....	D14/138
D453,751 S	*	2/2002	Bearden .....	D14/138	D489,343 S	*	5/2004	Wang et al. ....	D14/138
D461,791 S	*	8/2002	Ma .....	D14/206	2002/0068617 A1	*	6/2002	Han .....	455/569
D473,345 S	*	4/2003	Thorpe .....	D28/82					

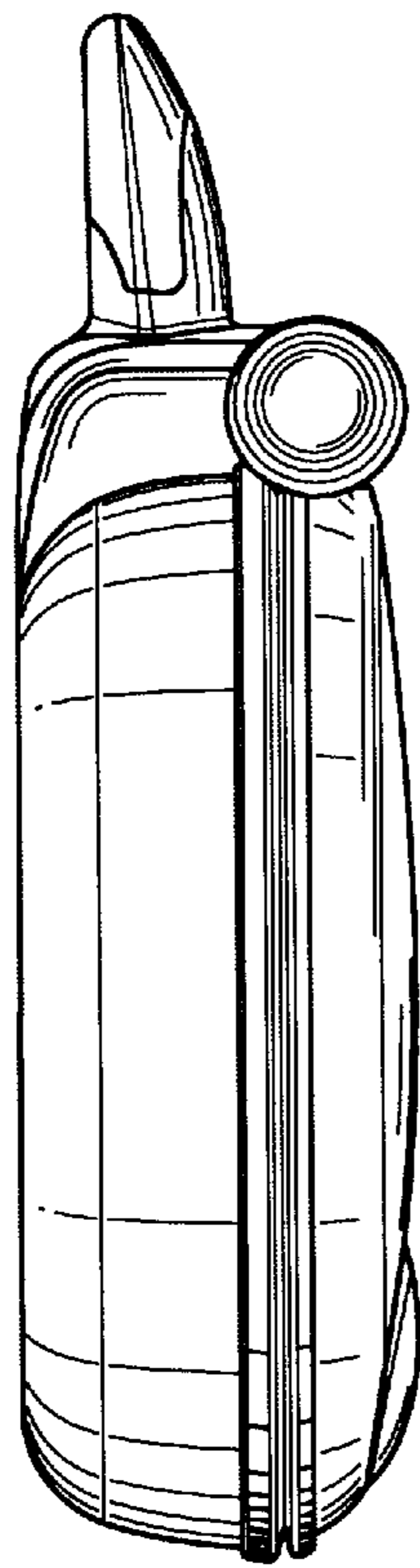
\* cited by examiner

*Fig. 1*

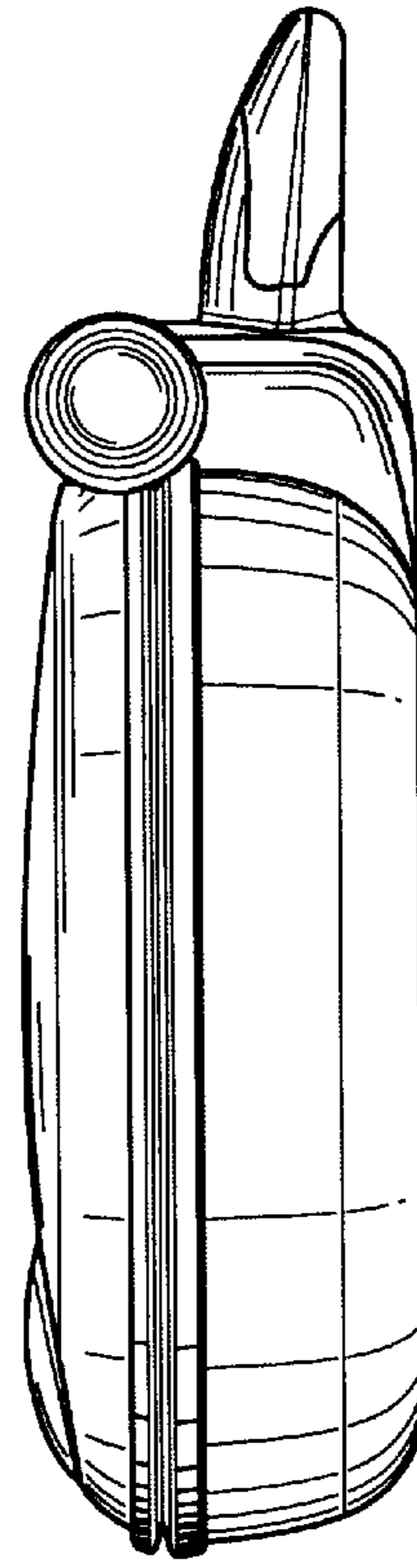


*Fig. 2*

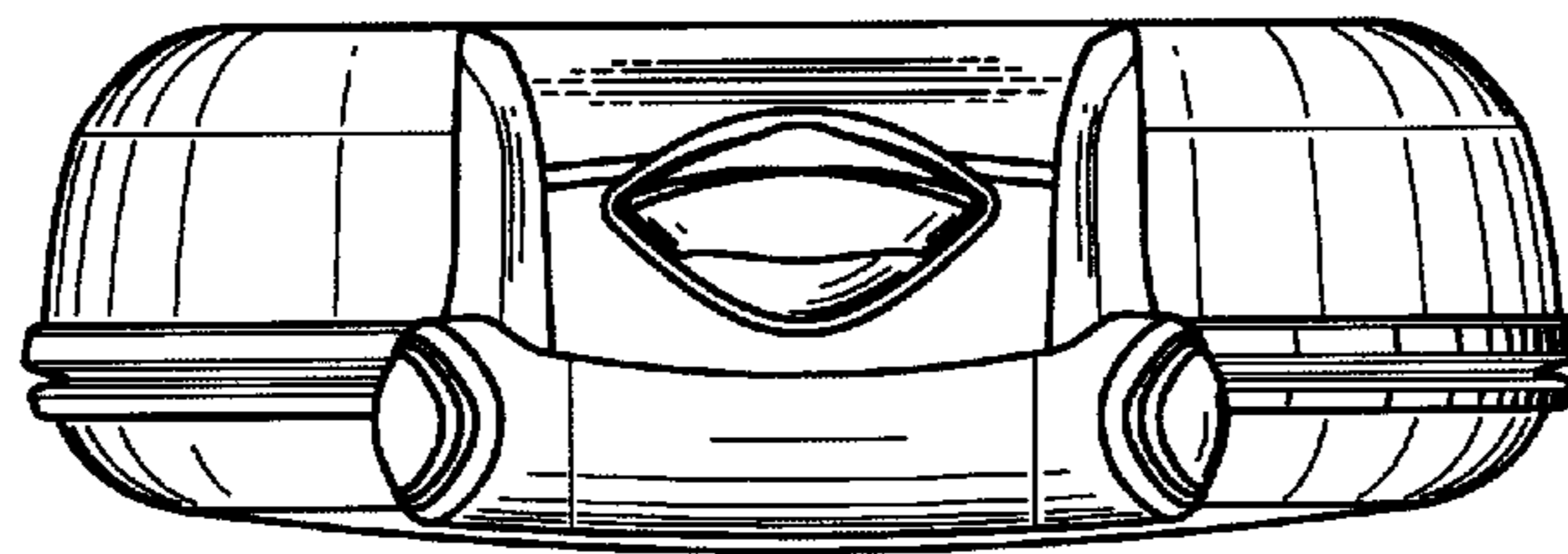




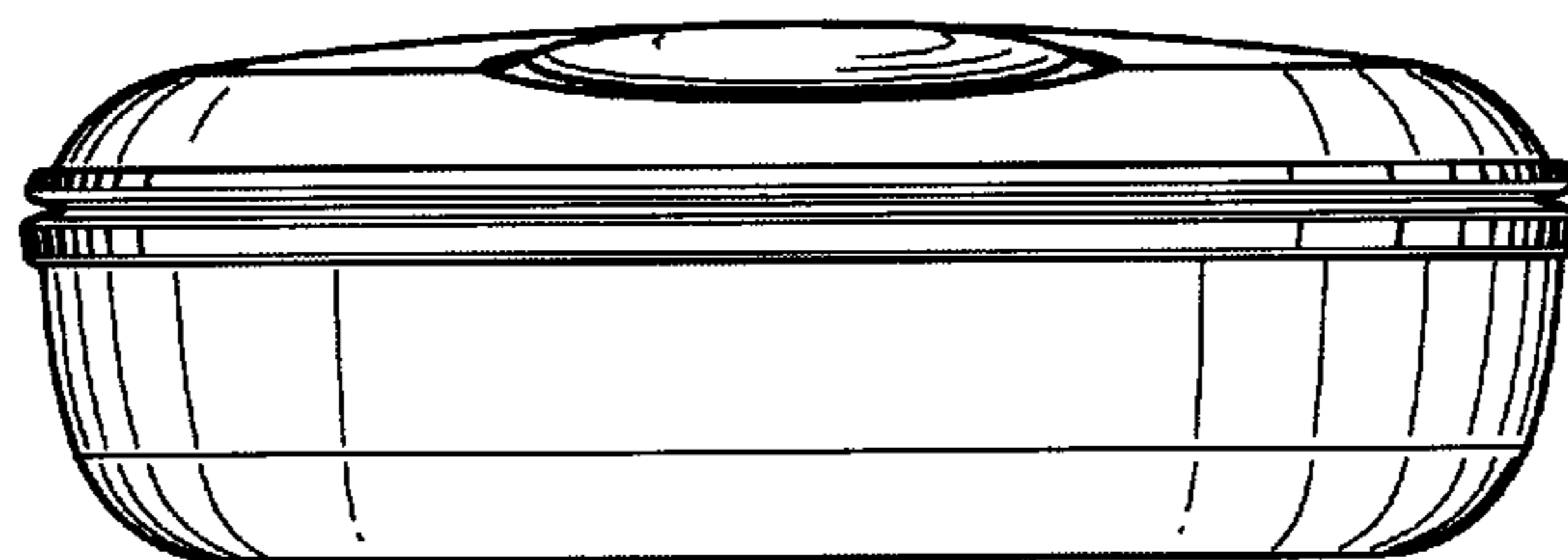
*Fig. 3*



*Fig. 4*



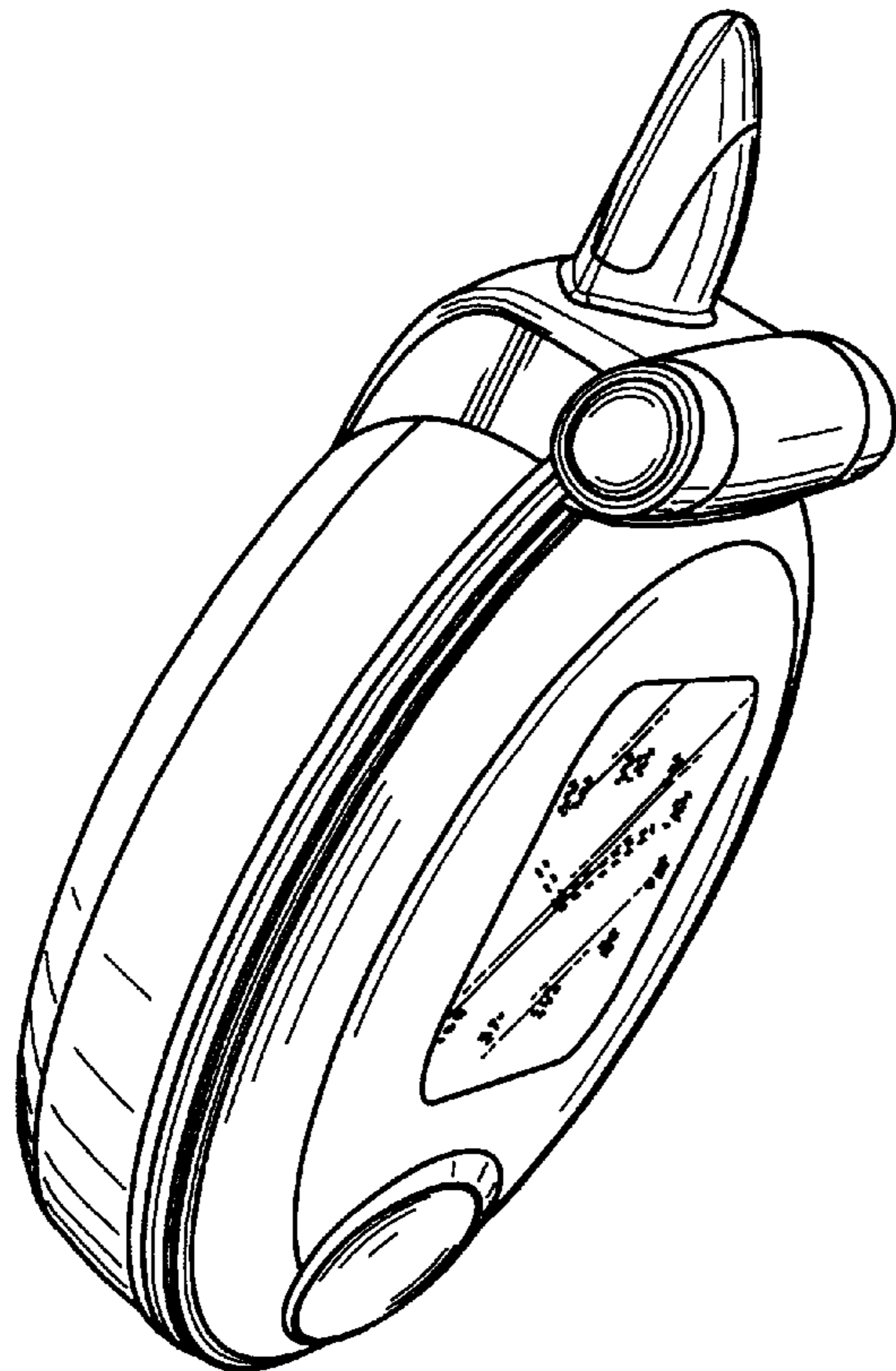
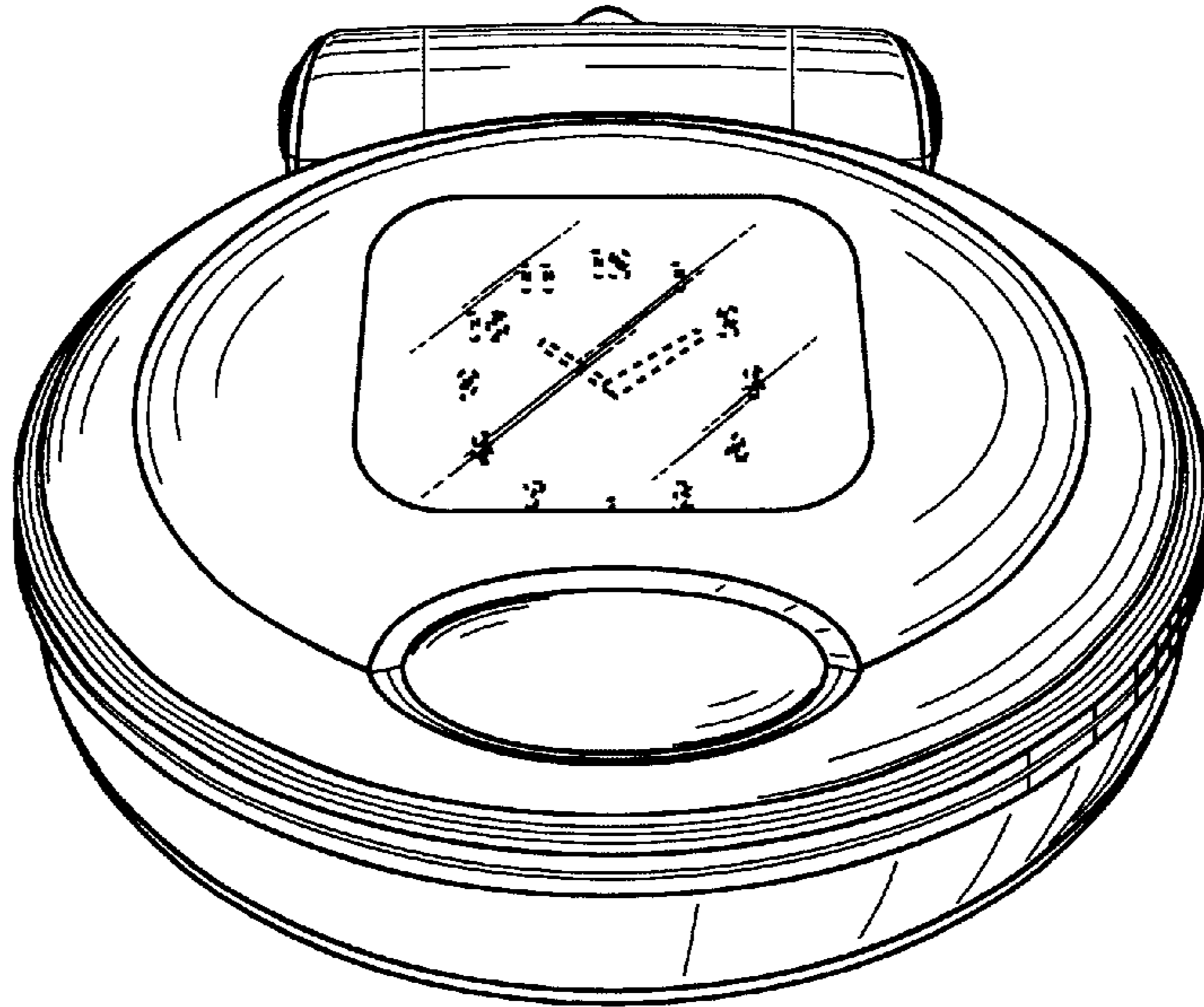
*Fig. 5*



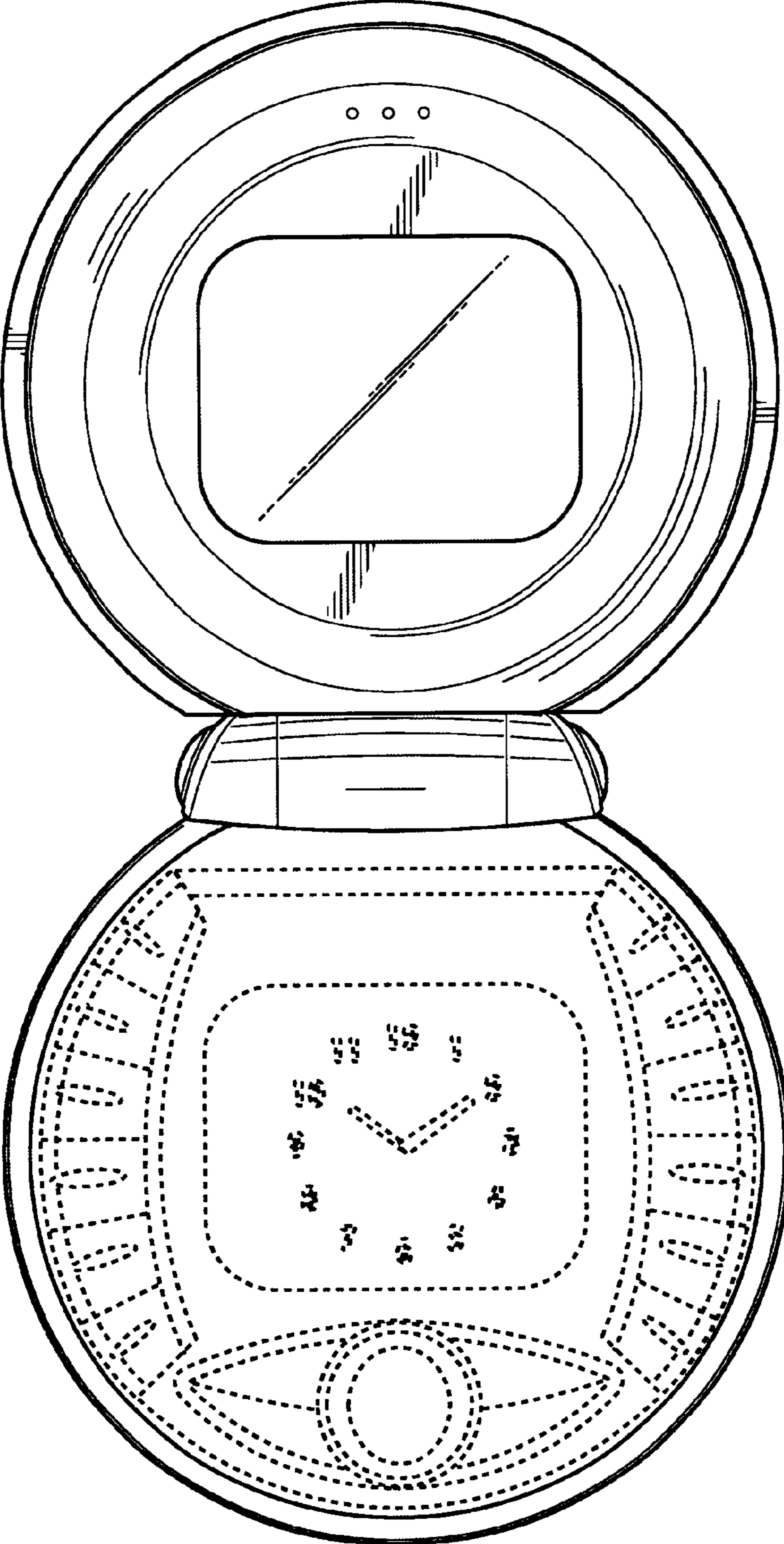
*Fig. 6*



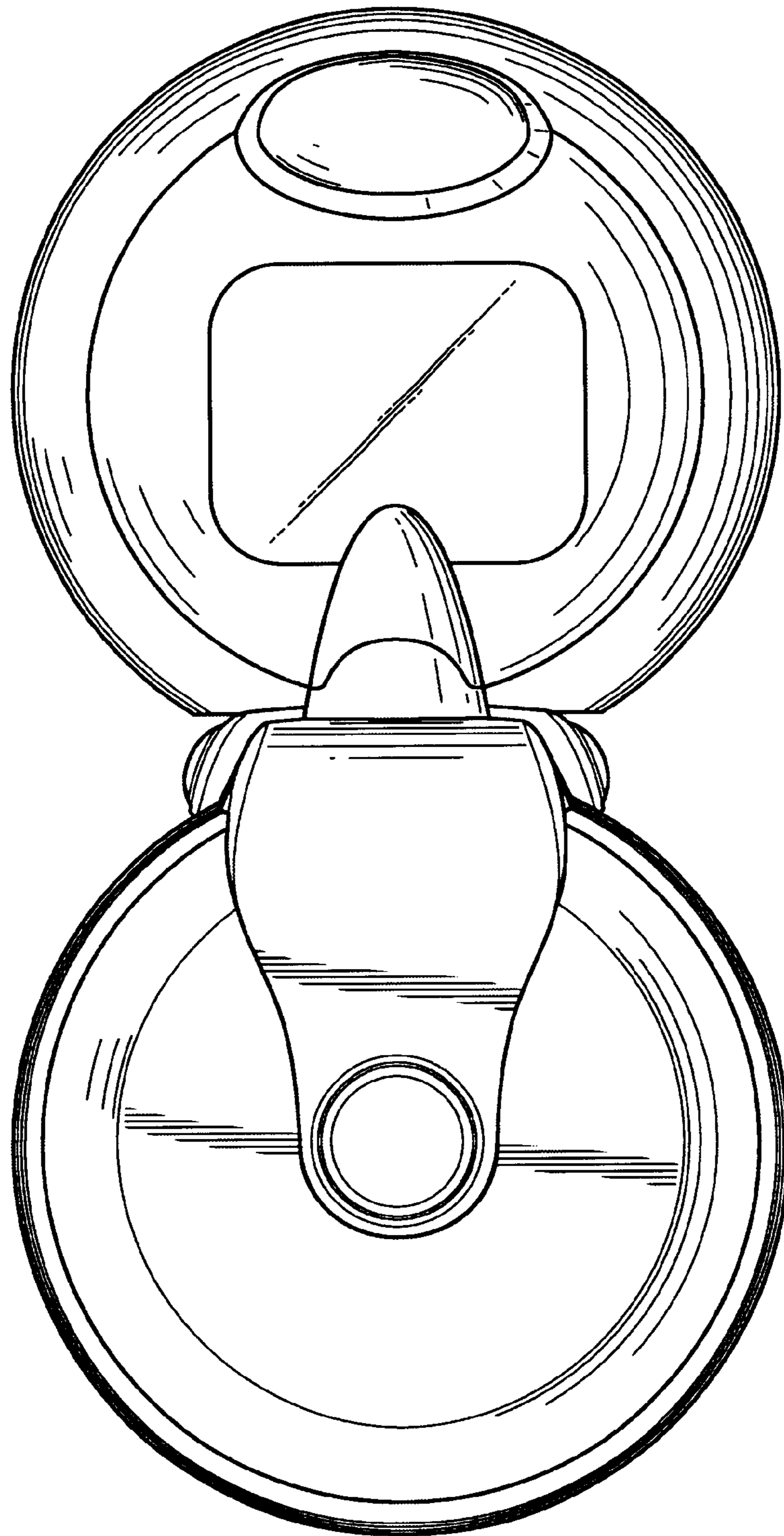
*Fig. 1*



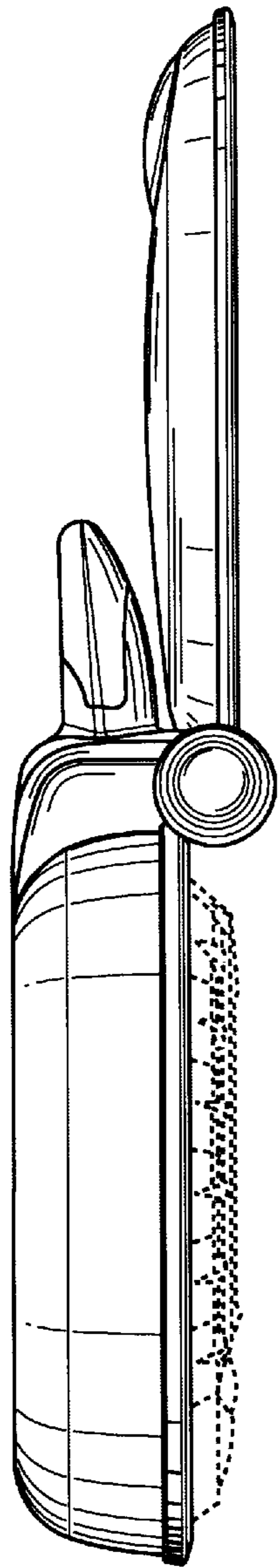
*Fig. 2*



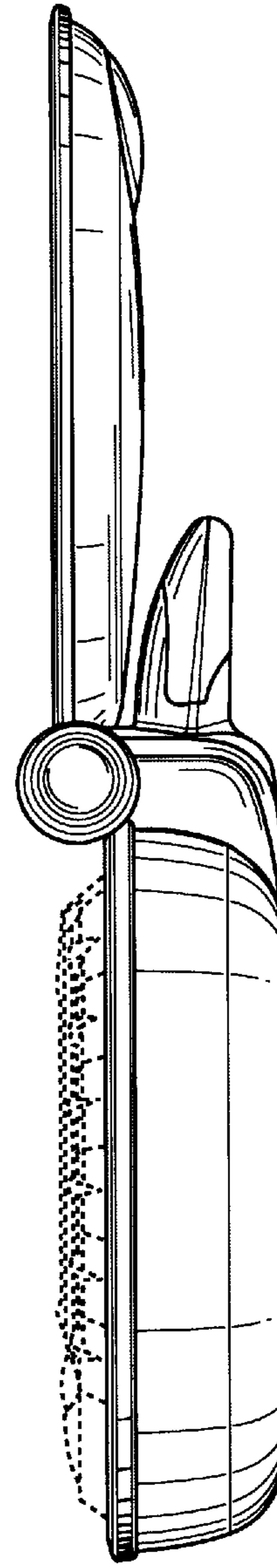
***Fig. 9***



*Fig. 10*

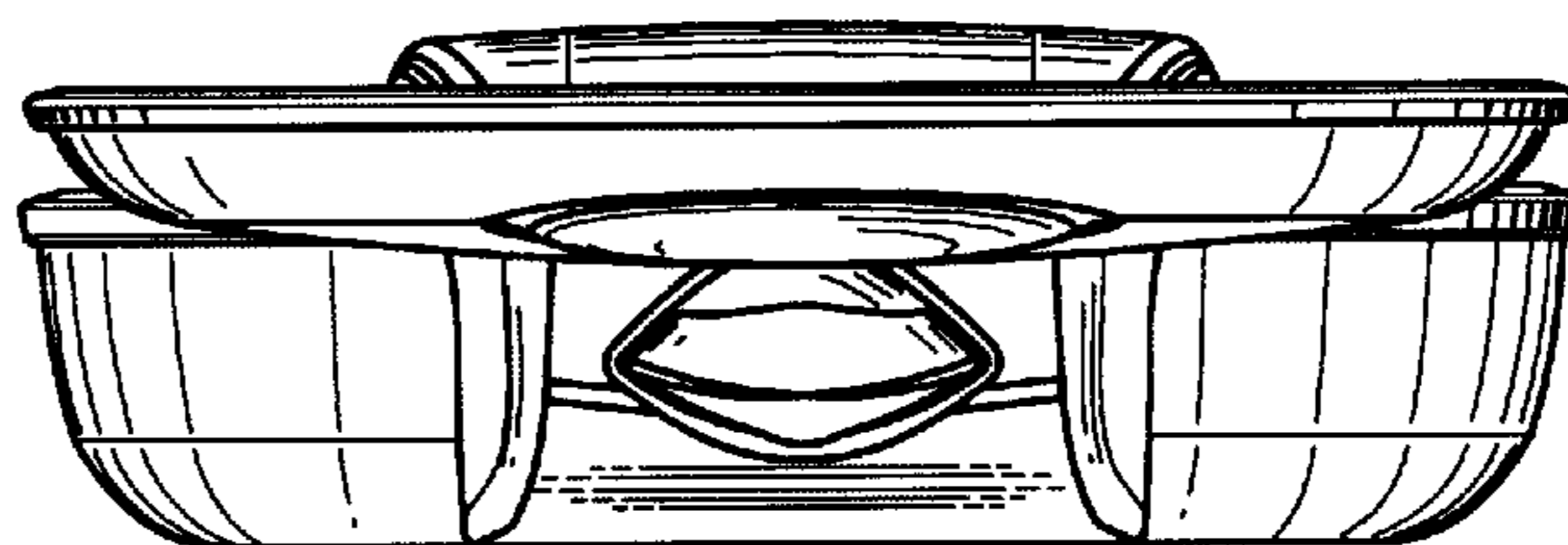


*Fig. 11*



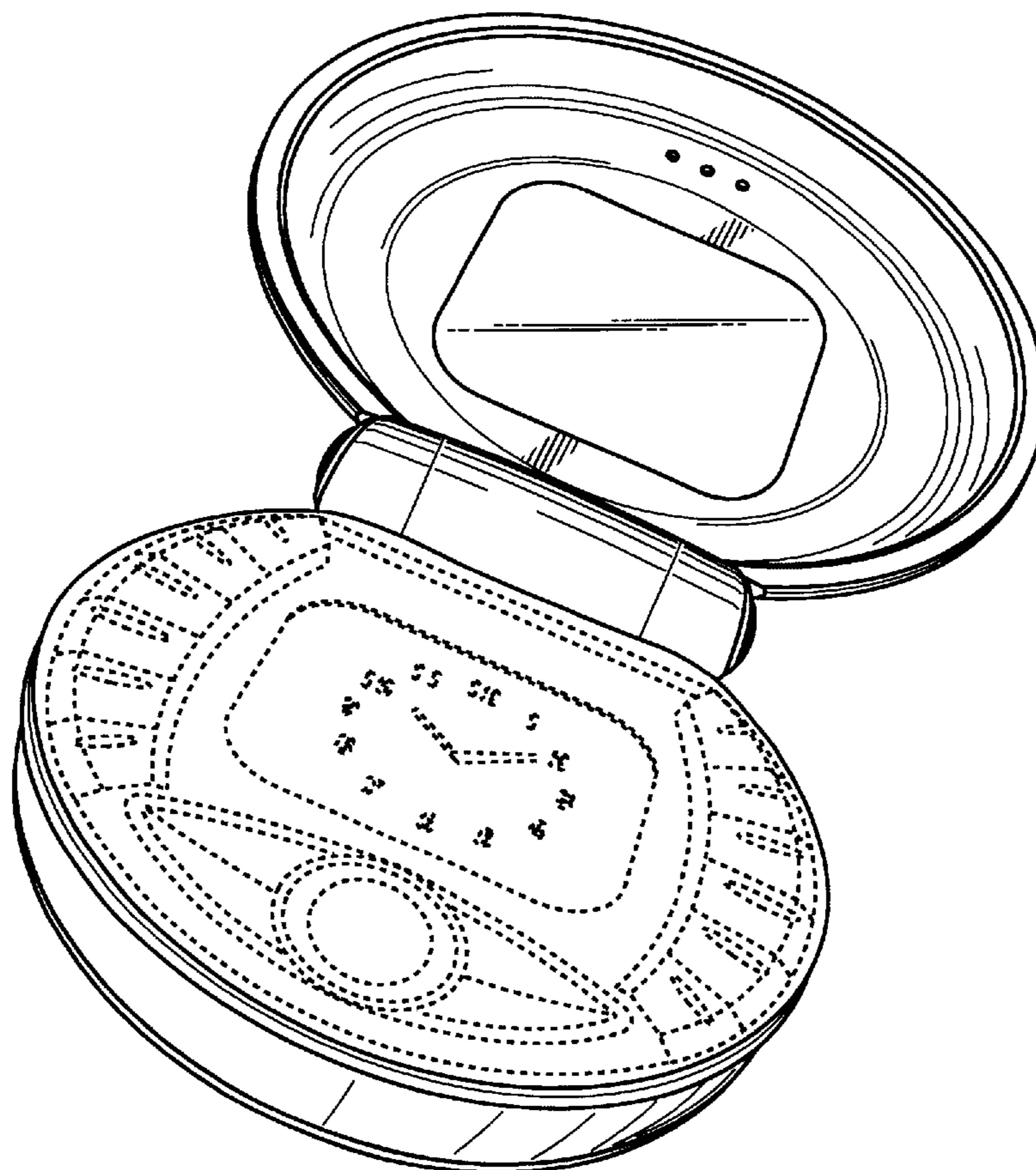
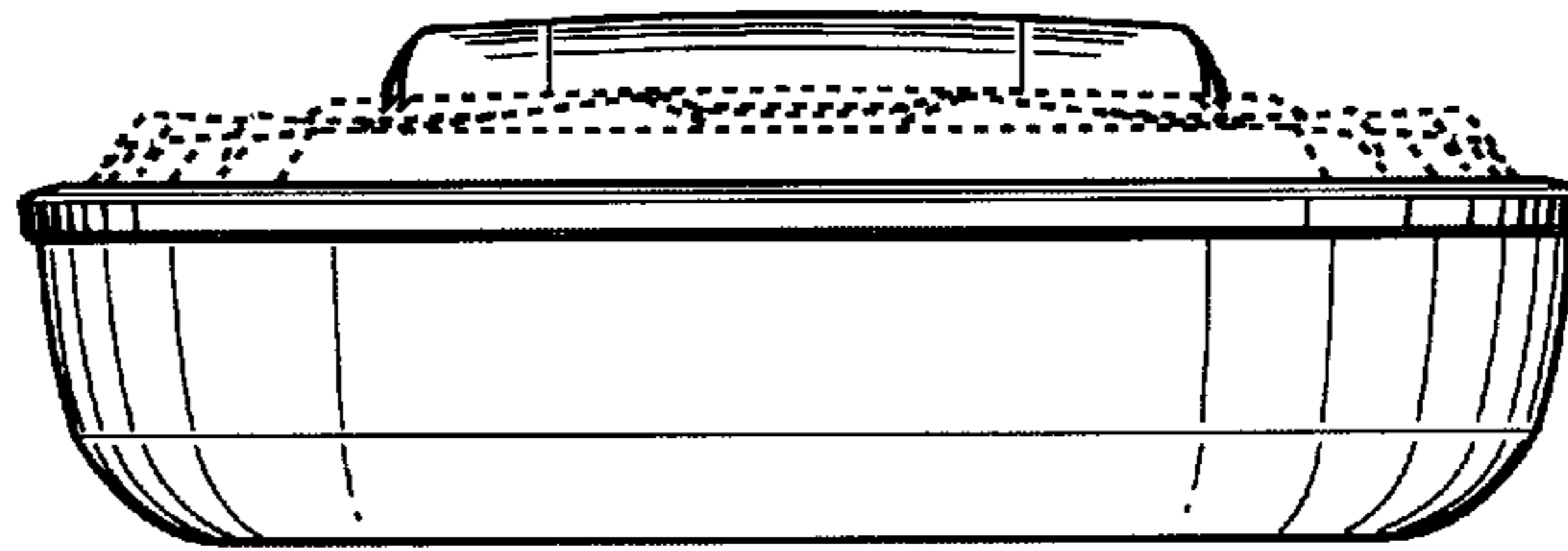
*Fig. 12*

*Fig. 13*

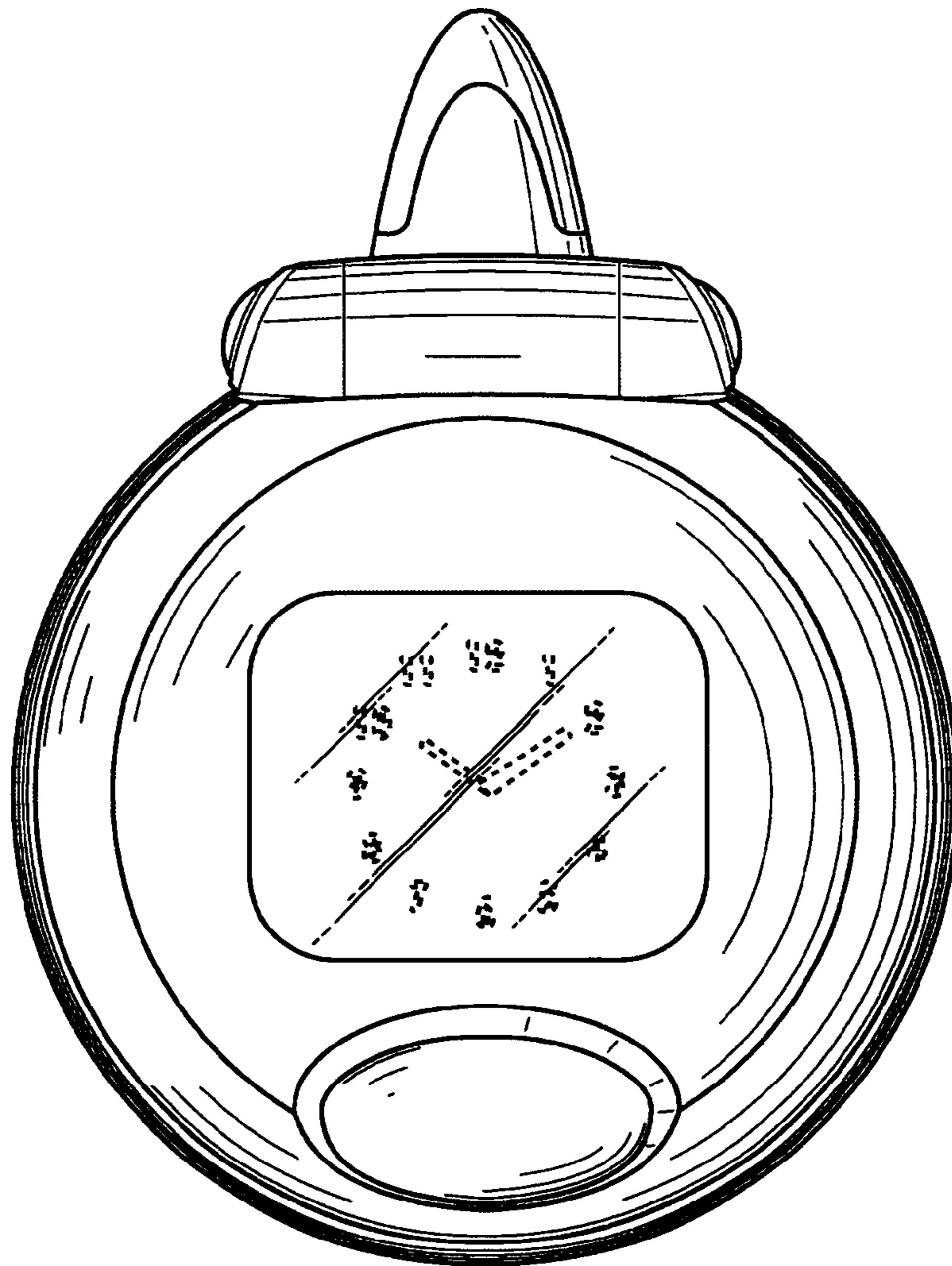




*Fig. 14*



*Fig. 15*



*Fig. 16*