

US00D496909S1

(12) **United States Design Patent** (10) **Patent No.:** **US D496,909 S**
D'Addario et al. (45) **Date of Patent:** **** Oct. 5, 2004**

(54) **RIGHT ANGLE CONNECTOR HANDLE**

(57) **CLAIM**

(75) Inventors: **James D'Addario**, Old Westbury, NY (US); **Robert O. Miller**, West Babylon, NY (US)

The ornamental design for a right angle connector handle, as shown and described.

(73) Assignee: **J. D'Addario & Company, Inc.**, Farmingdale, NY (US)

DESCRIPTION

(**) Term: **14 Years**

FIG. 1 is a top plan view illustrating the top side of a first embodiment of the inventive handle, with a transparent or translucent circular tab;

(21) Appl. No.: **29/170,595**

FIG. 2 is a right side elevational view of the handle of FIG. 1, the opposite left side view being a mirror image thereof;

(22) Filed: **Nov. 8, 2002**

FIG. 3 is a bottom view of the handle of FIG. 1;

(51) **LOC (7) Cl.** **13-03**

FIG. 4 is a front view of the handle of FIG. 1;

(52) **U.S. Cl.** **D13/154; D13/133**

FIG. 5 is a rear view of the handle of FIG. 1;

(58) **Field of Search** **D13/133, 154; 439/447, 491, 668, 669**

FIG. 6 is a top plan view illustrating the top side of a second embodiment of the inventive handle, with an opaque circular tab,

(56) **References Cited**

U.S. PATENT DOCUMENTS

- 4,018,501 A * 4/1977 Maloof 439/669
- D244,611 S * 6/1977 Gietzen D13/133
- 5,529,513 A * 6/1996 Lee 439/491
- D371,762 S * 7/1996 Lee D13/133
- D450,298 S * 11/2001 Suzuki D13/133
- D475,348 S * 6/2003 DAddario et al. D13/133
- 2002/0177364 A1 * 11/2002 Mine et al. 439/669

FIG. 7 is a right side elevational view of the handle of FIG. 6 the opposite left side view being a mirror image thereof;

FIG. 8 is a bottom view of the handle of FIG. 6;

FIG. 9 is a front view of the handle of FIG. 6; and,

FIG. 10 is a rear view of the handle of FIG. 6.

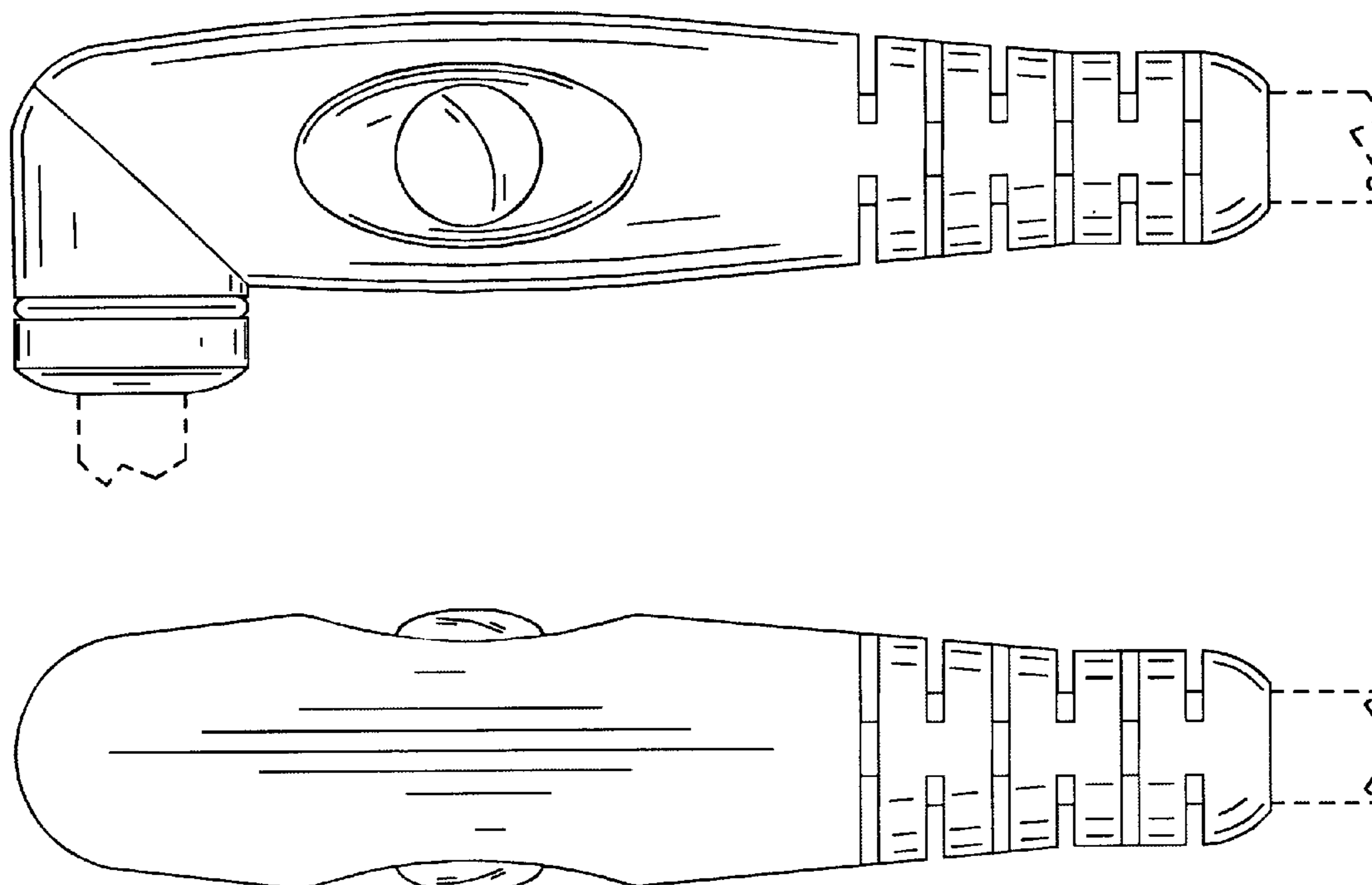
The figures show a broken-off portion of a connector plug at the handle front end and a broken-off portion of a cable at the handle rear end in broken lines. Those portions of the design shown in broken lines do not form part of the claimed invention. Also, the front and rear views are slightly canted relative to the handle axis, to improve the disclosure of the invention, but the inventive design is symmetric about the central axis.

* cited by examiner

Primary Examiner—Joel Sincavage

(74) Attorney, Agent, or Firm—Alix, Yale & Ristas, LLP

1 Claim, 2 Drawing Sheets



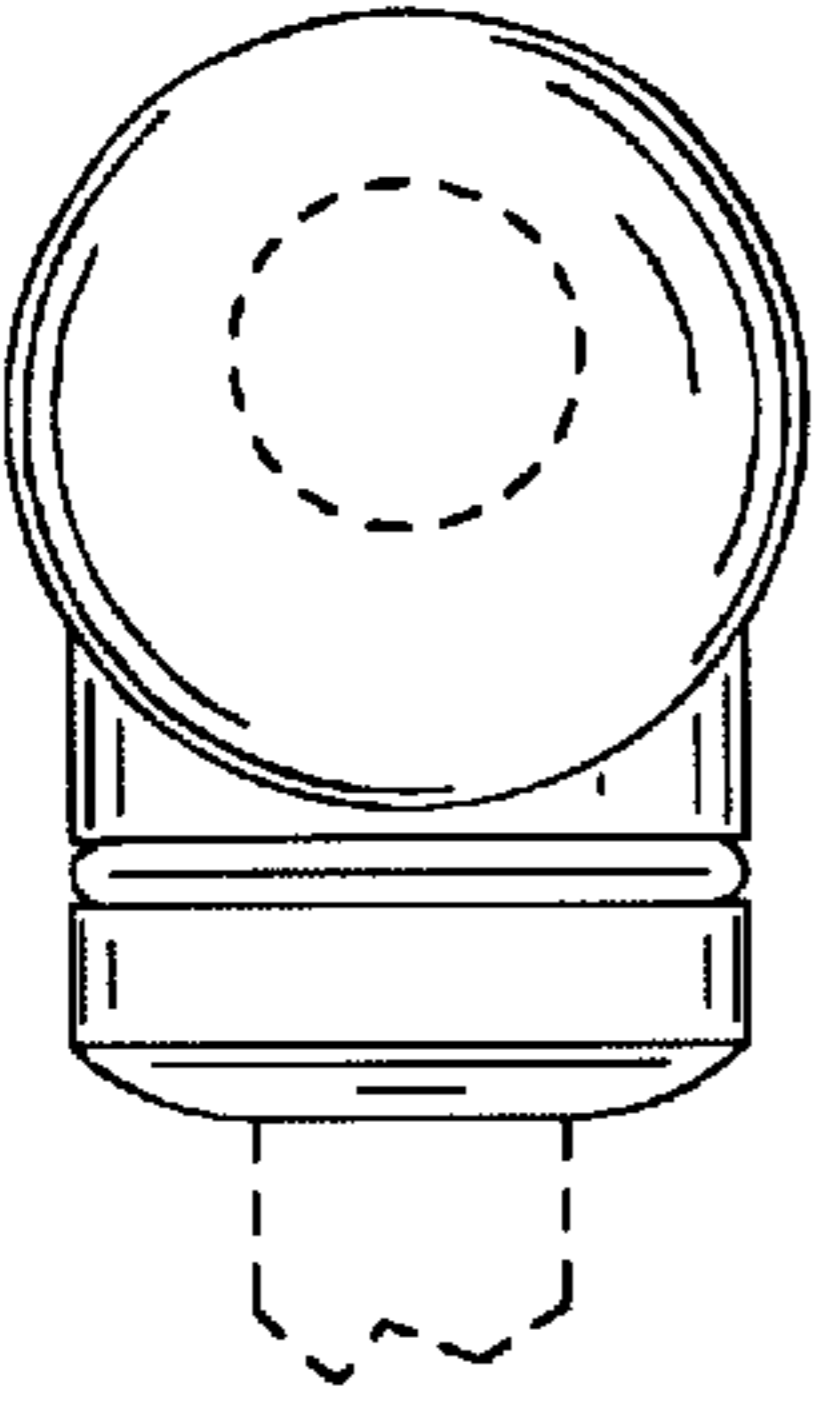


FIG. 5

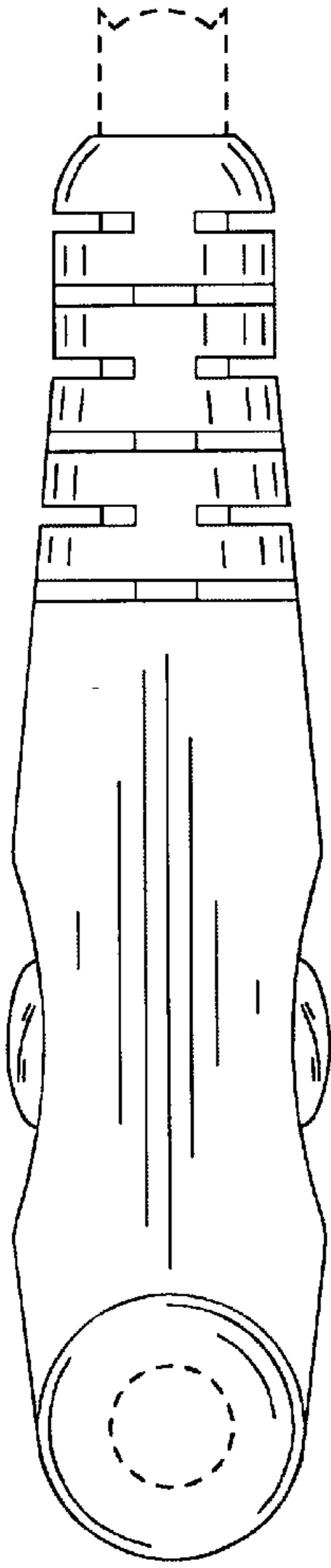


FIG. 1

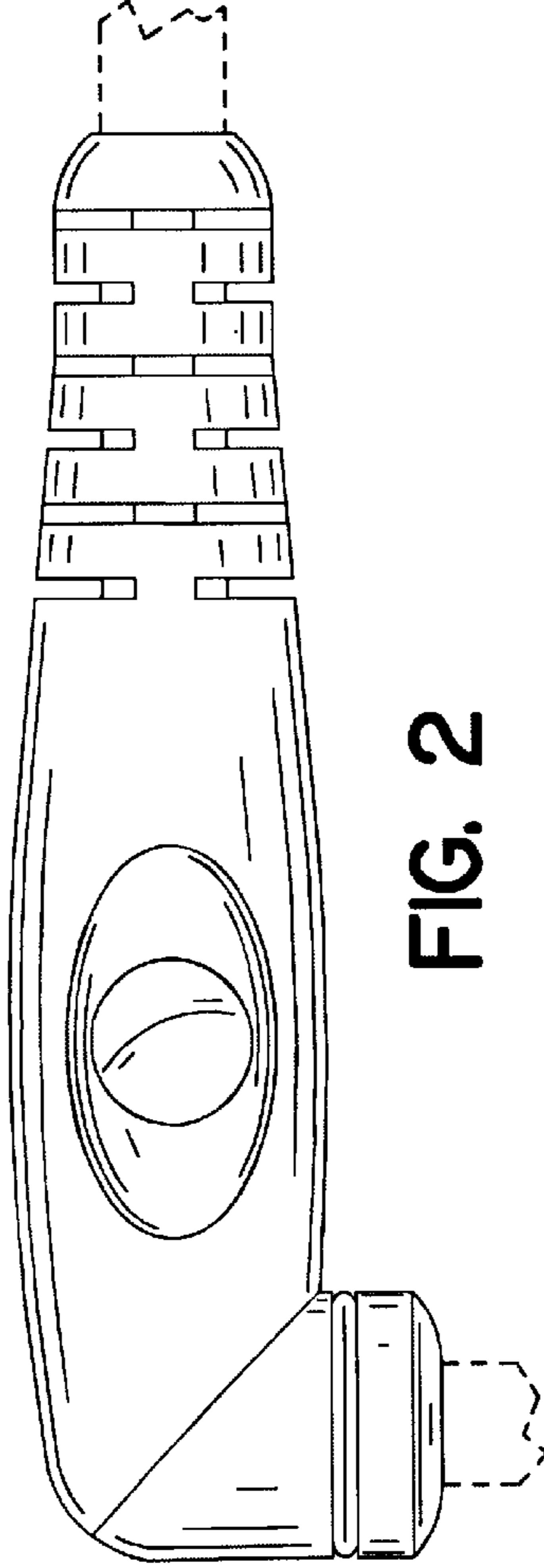


FIG. 2

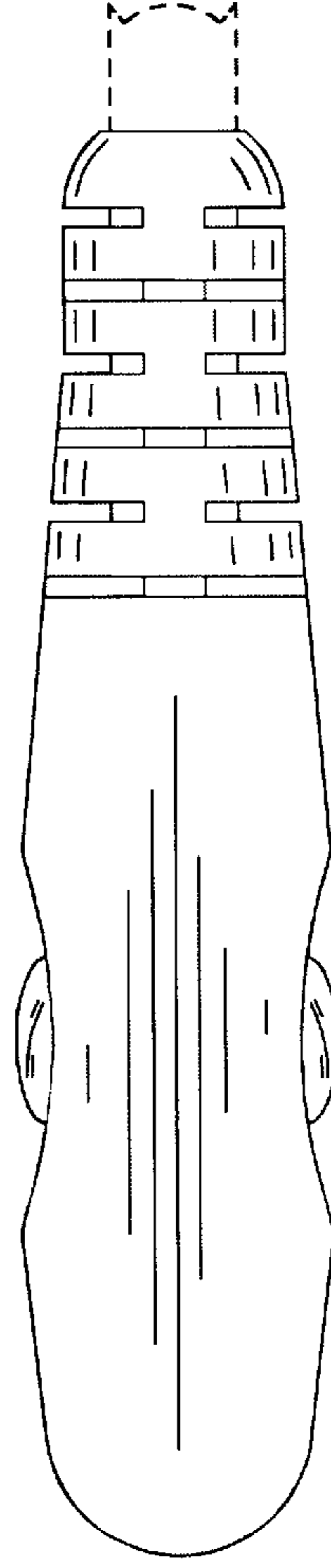


FIG. 3

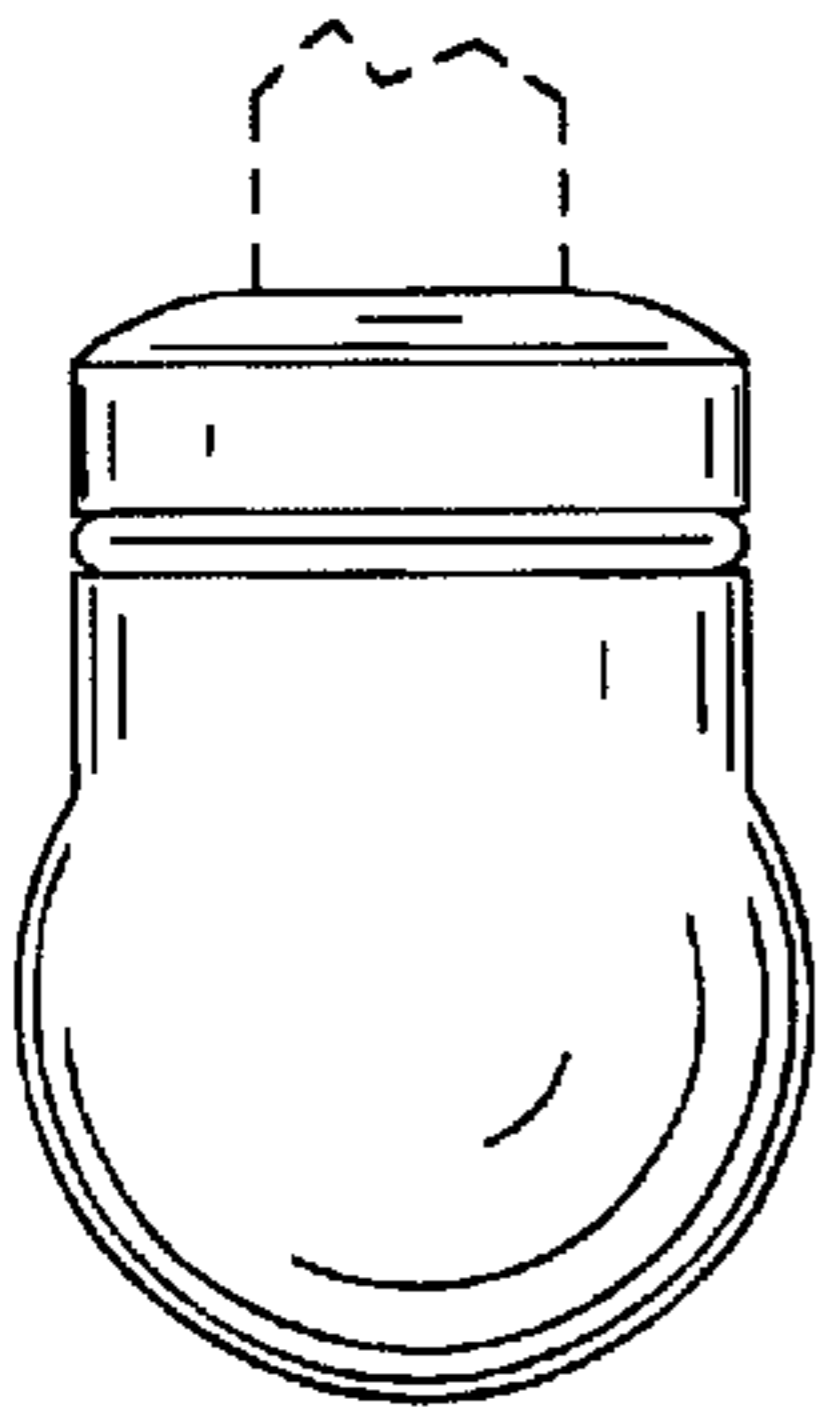


FIG. 4

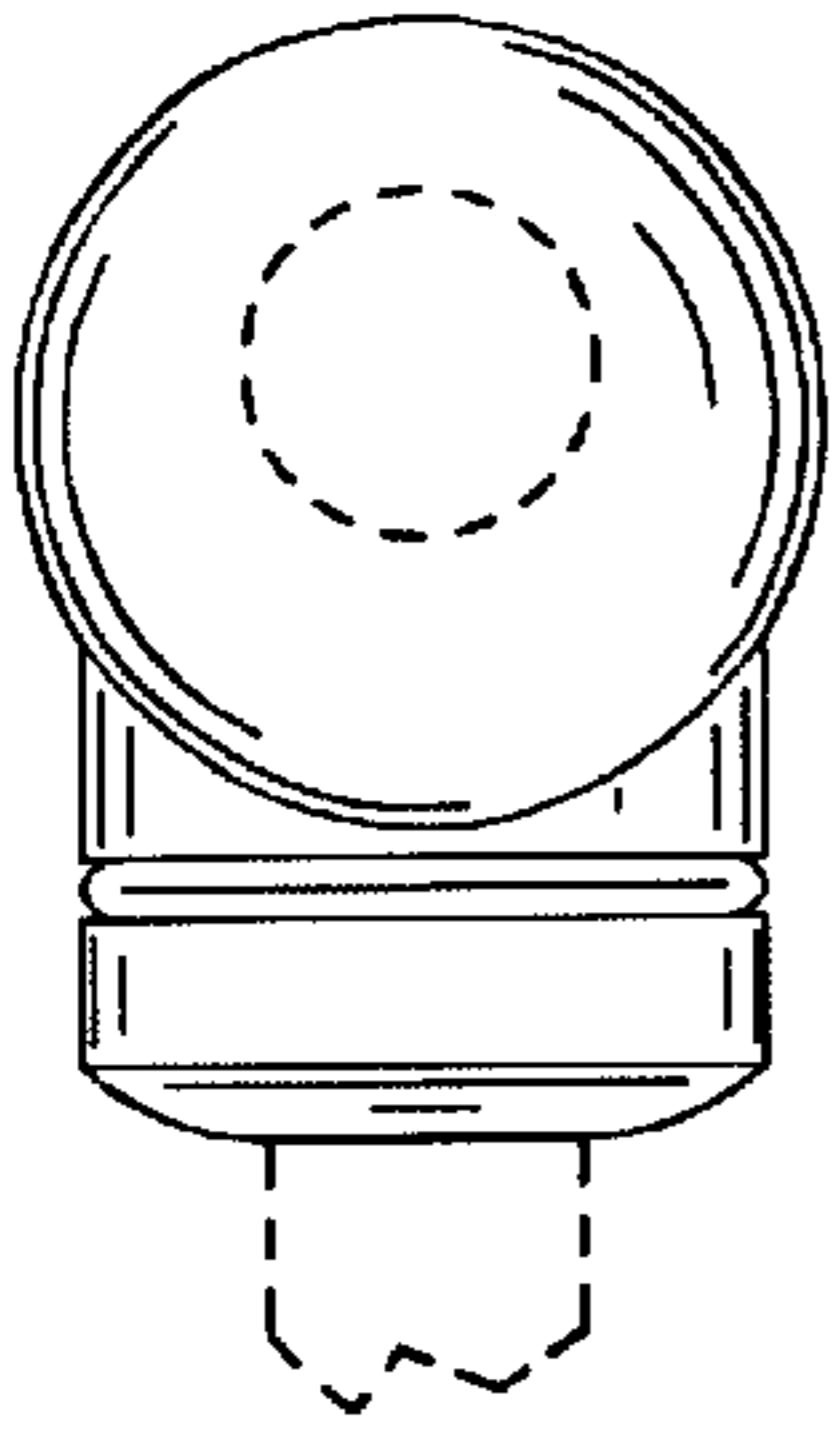


FIG. 10

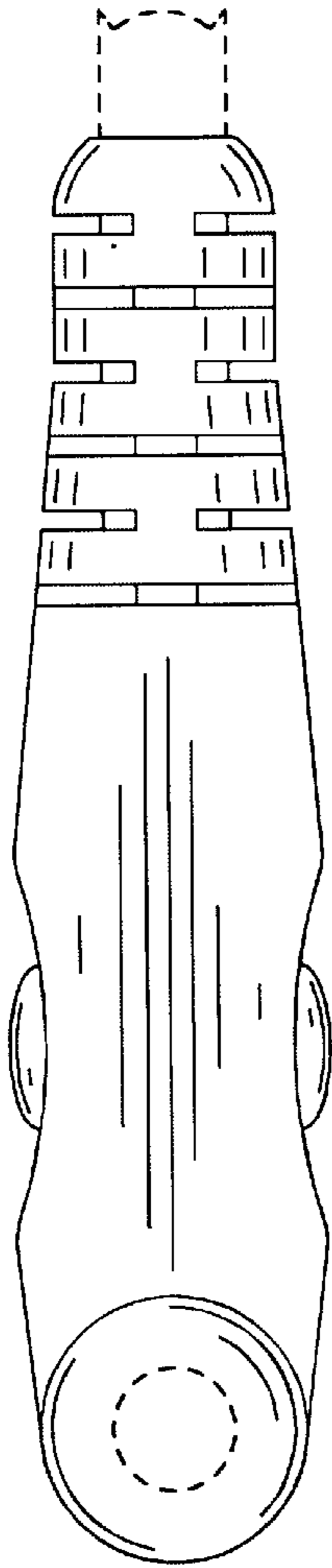


FIG. 6

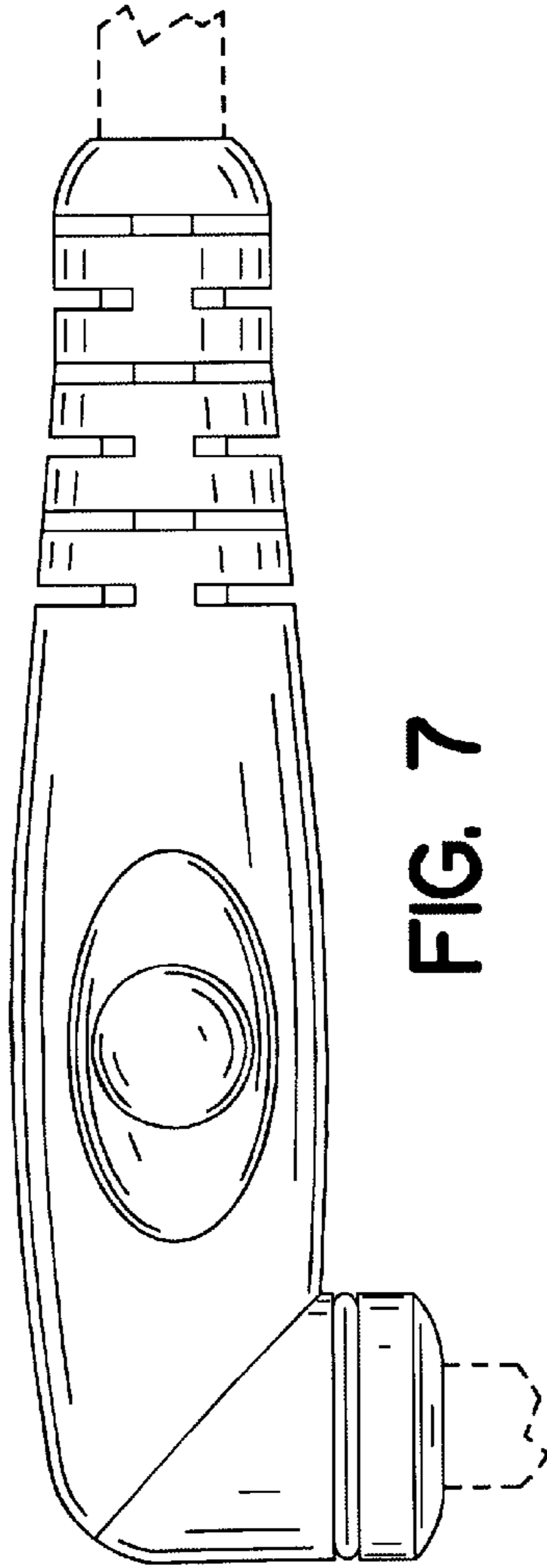


FIG. 7

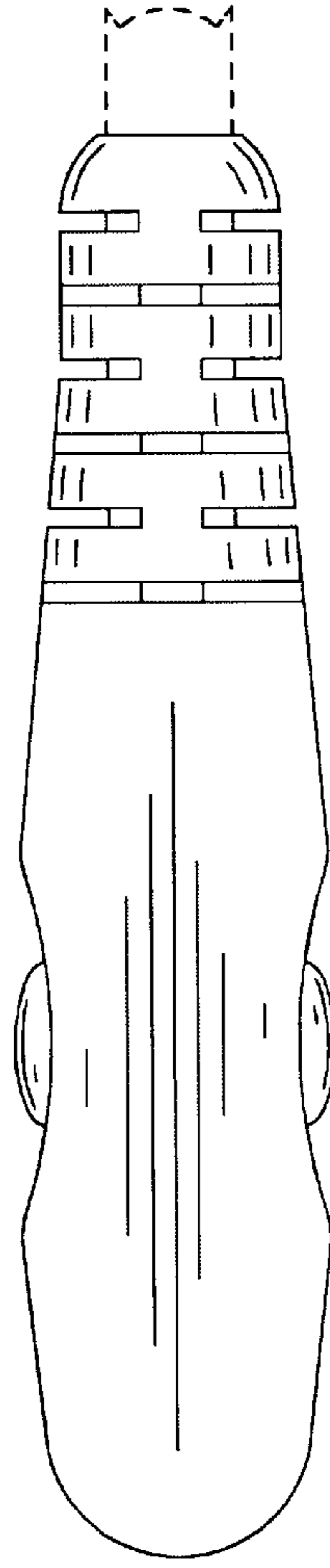


FIG. 8

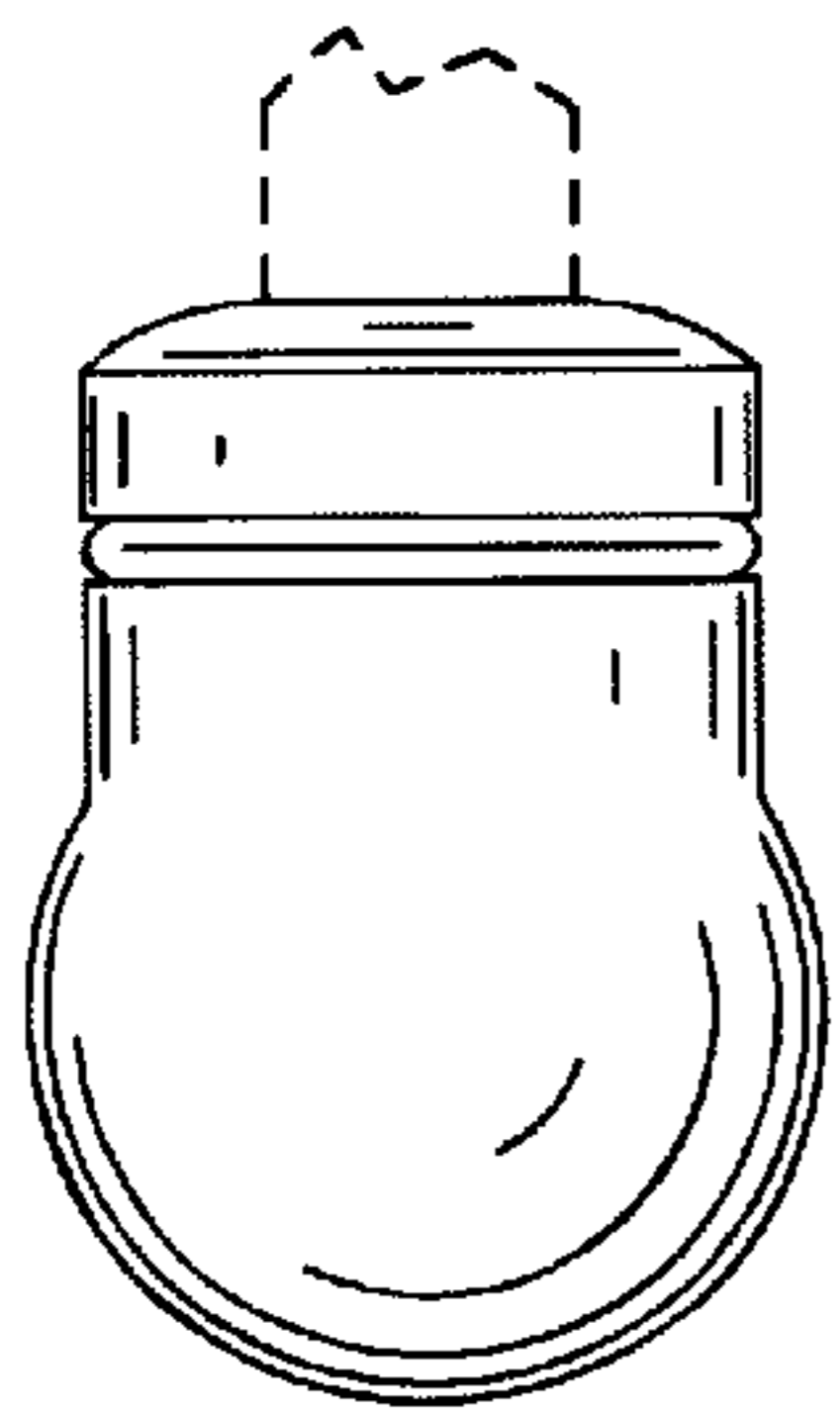


FIG. 9