



US00D496905S1

(12) **United States Design Patent**
Hsu et al.

(10) **Patent No.:** **US D496,905 S**
(45) **Date of Patent:** **** Oct. 5, 2004**

(54) **FILTER MODULE**

(75) Inventors: **Han-Cheng Hsu**, Taoyuan (TW);
Wen-Te Ko, Kaohsiung (TW)

(73) Assignee: **Delta Electronics Inc.** (TW)

(**) Term: **14 Years**

(21) Appl. No.: **29/176,993**

(22) Filed: **Mar. 4, 2003**

(30) **Foreign Application Priority Data**

Dec. 13, 2002 (TW) 91307261

(51) **LOC (7) Cl.** **13-02**

(52) **U.S. Cl.** **D13/110**

(58) **Field of Search** D13/110, 123,
D13/162, 199; 307/150, 151; 361/679,
728; 363/147; 336/90, 96

(56) **References Cited**

U.S. PATENT DOCUMENTS

D304,929 S * 12/1989 Bench et al. D13/162
D305,021 S * 12/1989 Bench et al. D13/162

D369,778 S * 5/1996 Tamaki D13/110
5,577,316 A * 11/1996 Kaelin 29/606
D432,081 S * 10/2000 Ito et al. D13/123
D468,683 S * 1/2003 Maurer D13/101
6,535,095 B2 * 3/2003 Aoki et al. 336/83
2002/0017972 A1 * 2/2002 Hsu 336/96

* cited by examiner

Primary Examiner—Prabhakar Deshmukh

Assistant Examiner—Daniel Bui

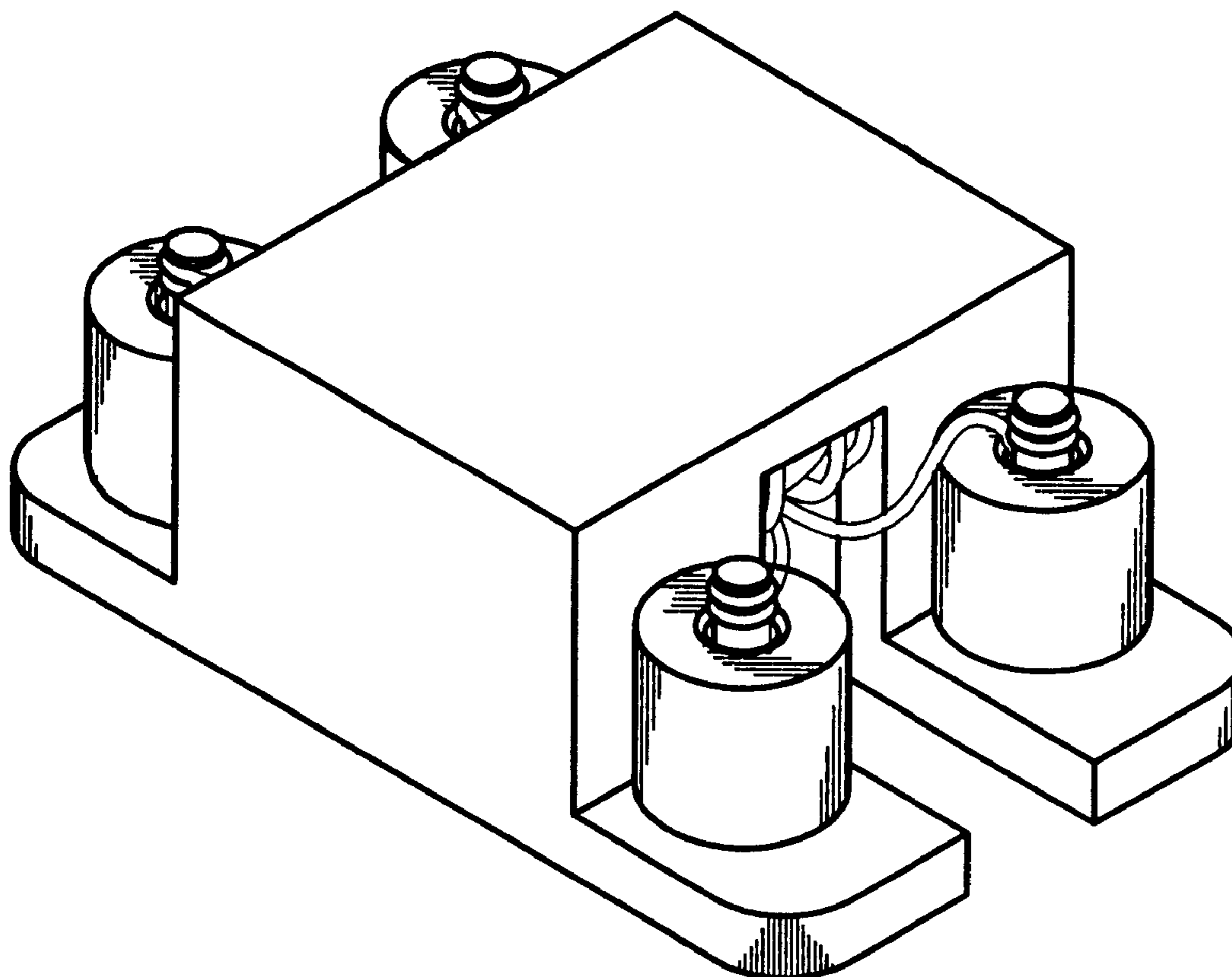
(57) **CLAIM**

The ornamental design for a filter module, as shown and described herein.

DESCRIPTION

FIG. 1 is a perspective view of a filter module showing our new design;
FIG. 2 is a right side view thereof;
FIG. 3 is a top view thereof;
FIG. 4 is a front view thereof;
FIG. 5 is a bottom view thereof;
FIG. 6 is a left side view thereof; and,
FIG. 7 is a rear view thereof.

1 Claim, 7 Drawing Sheets



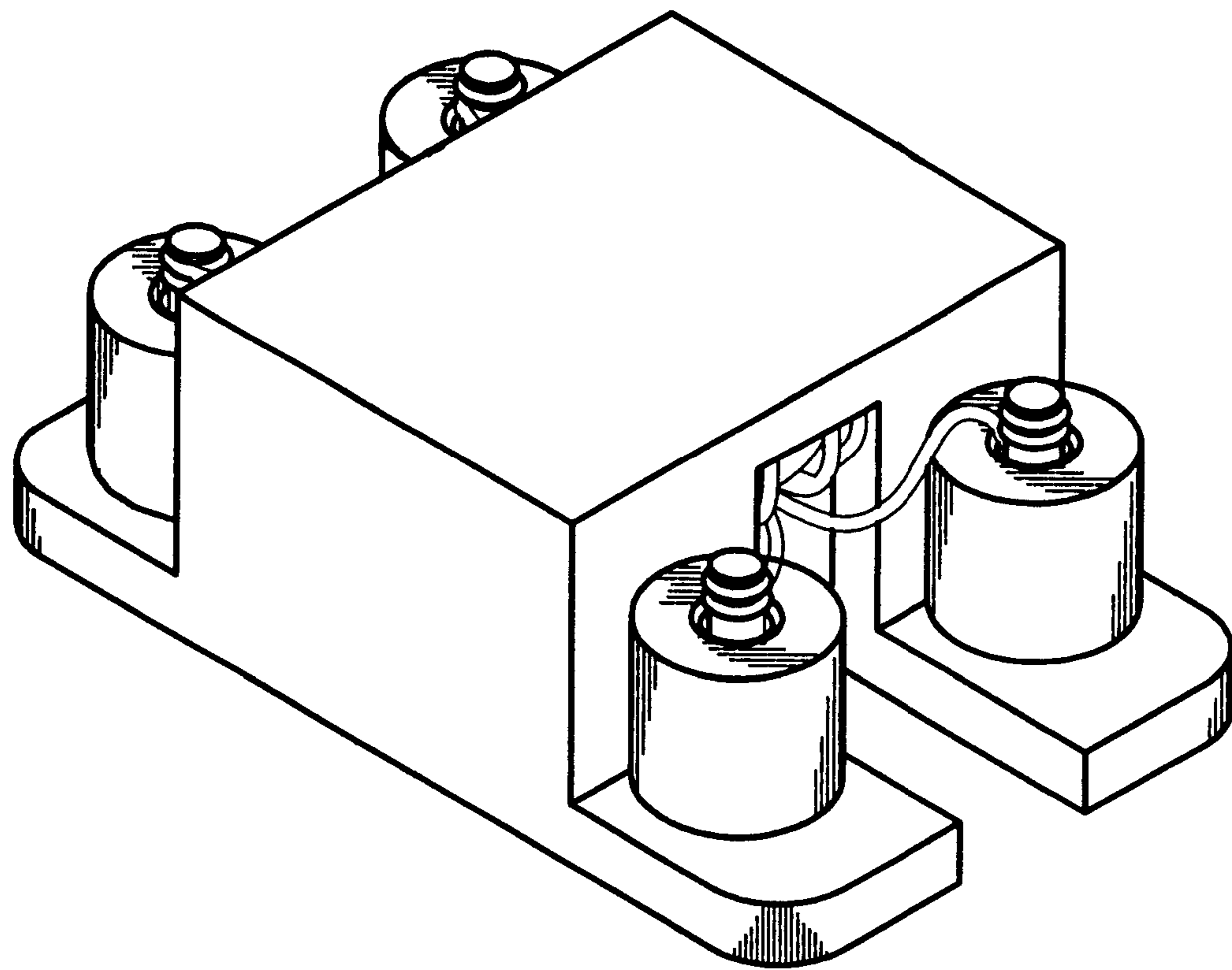


Fig. 1

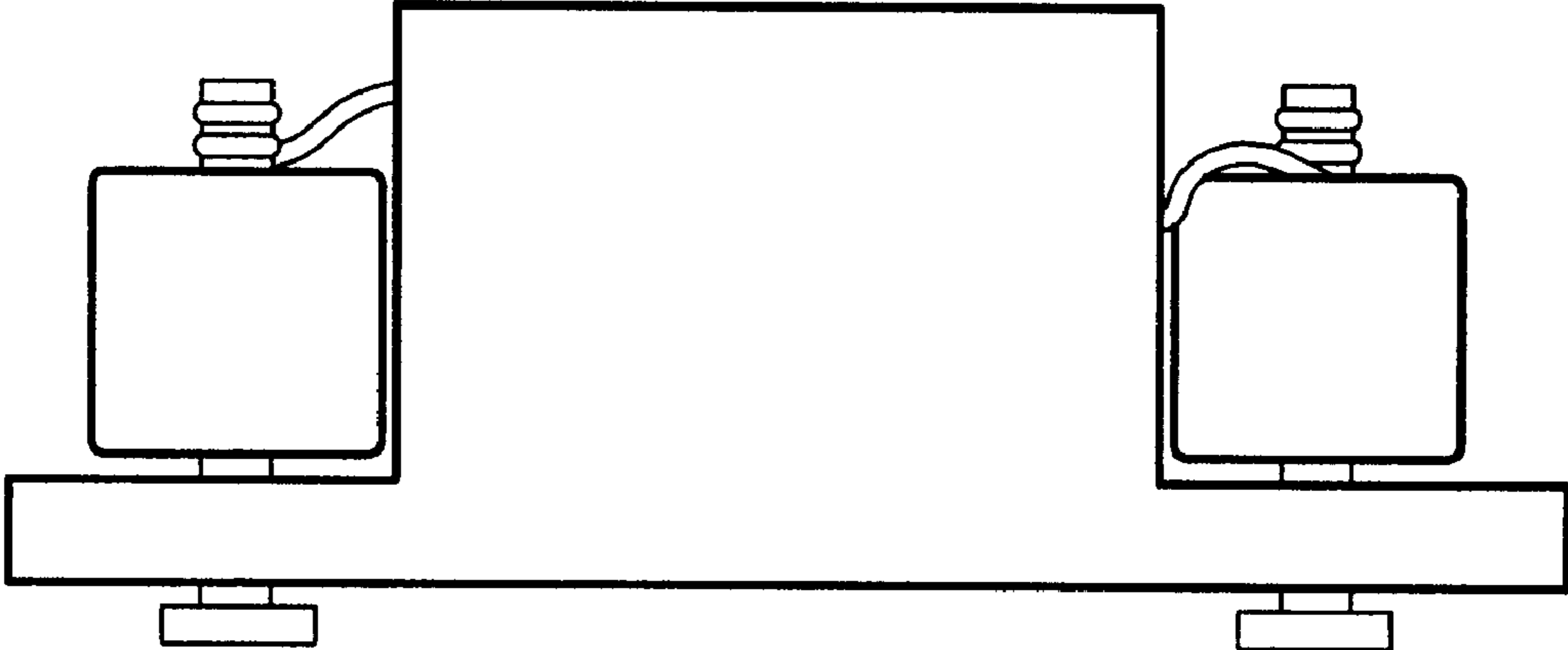


Fig. 2

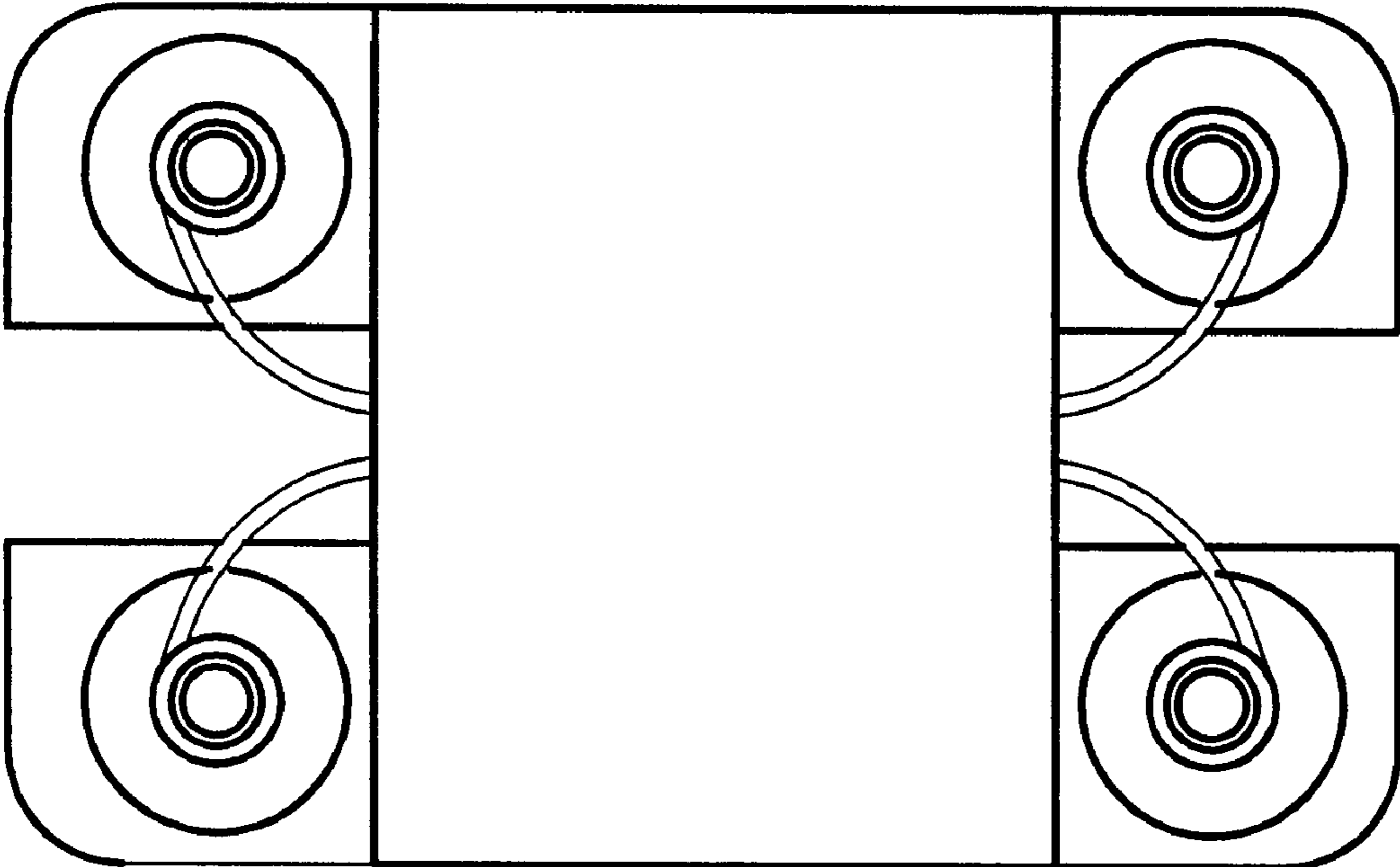


Fig. 3

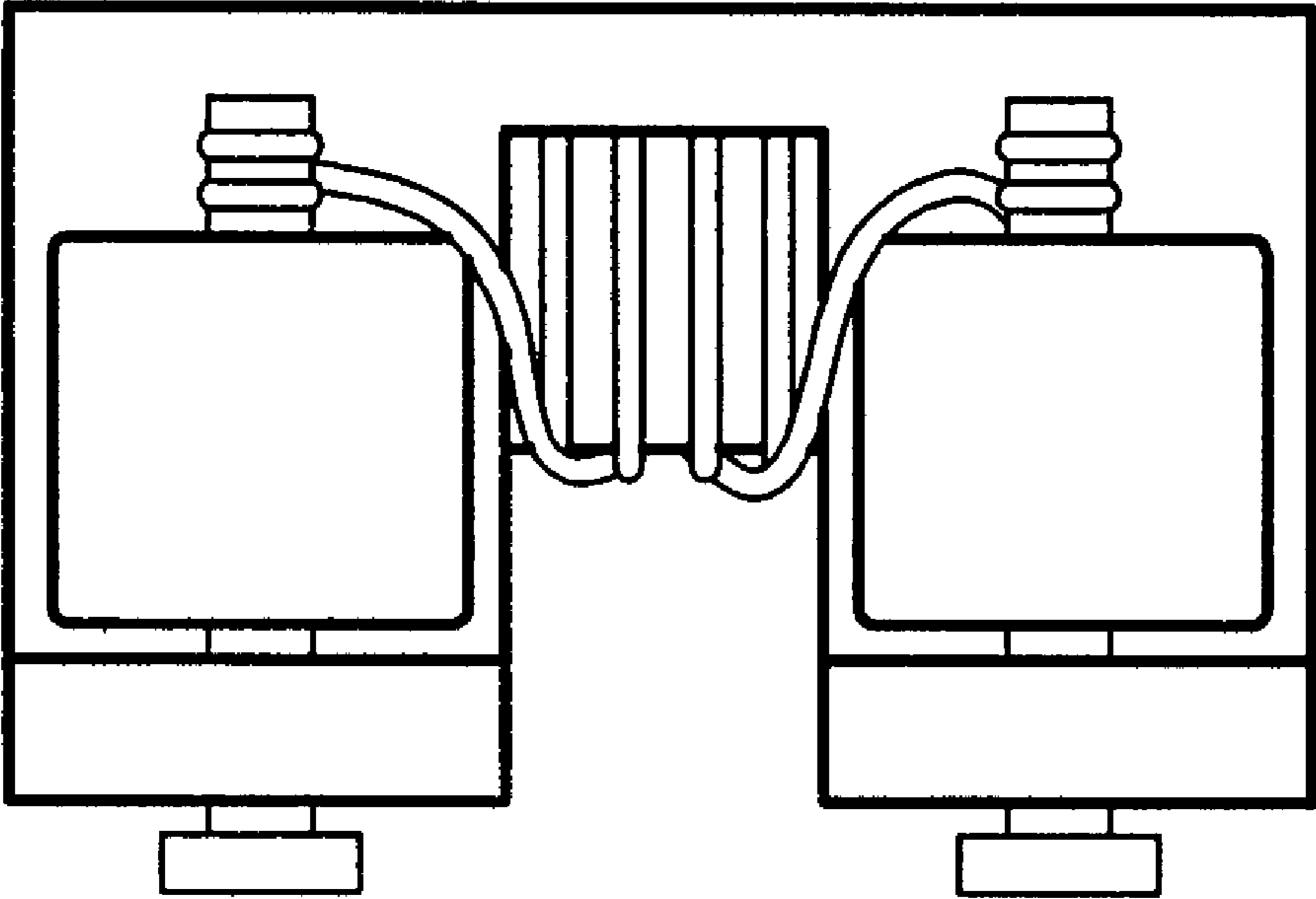


Fig. 4

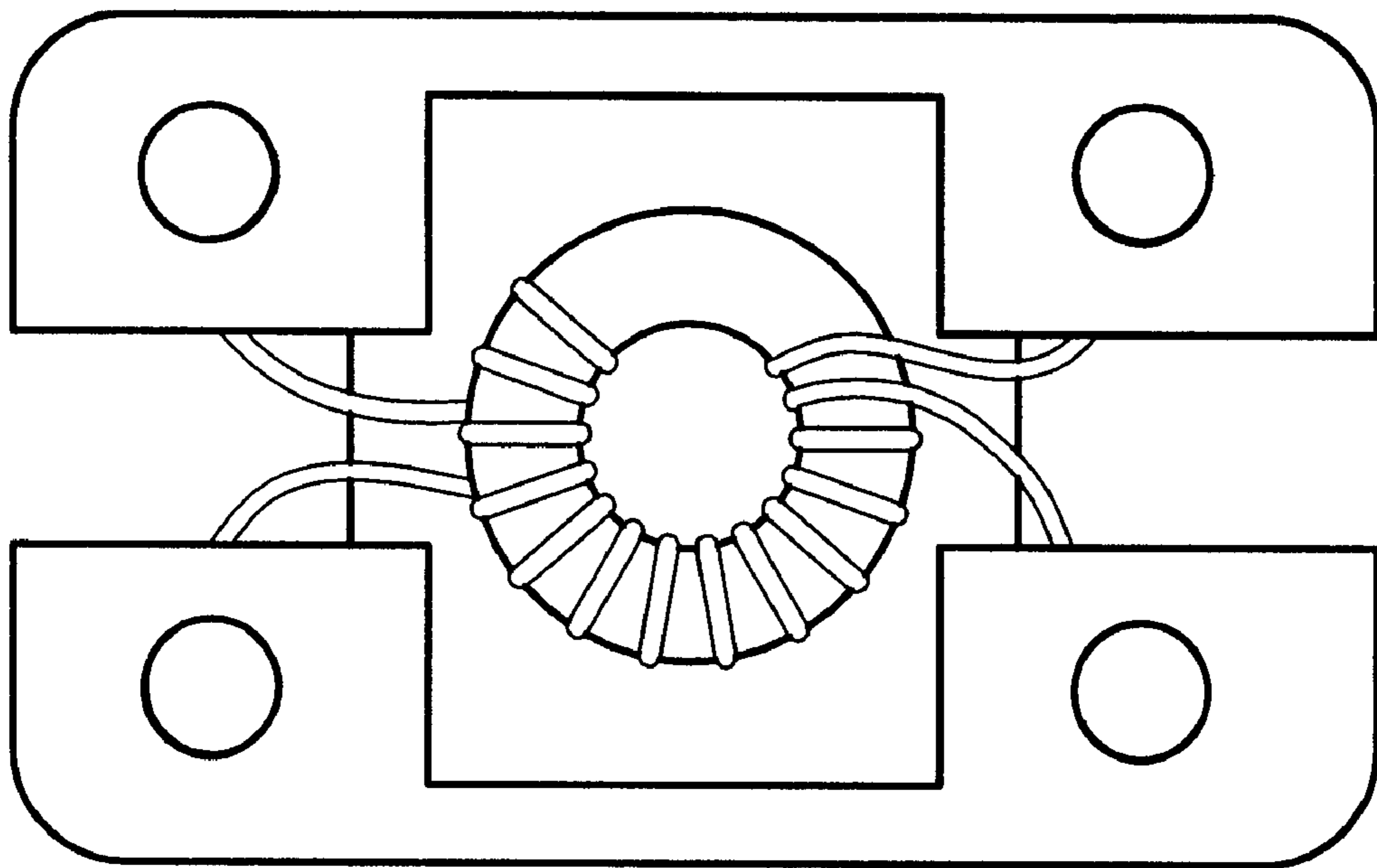


Fig. 5

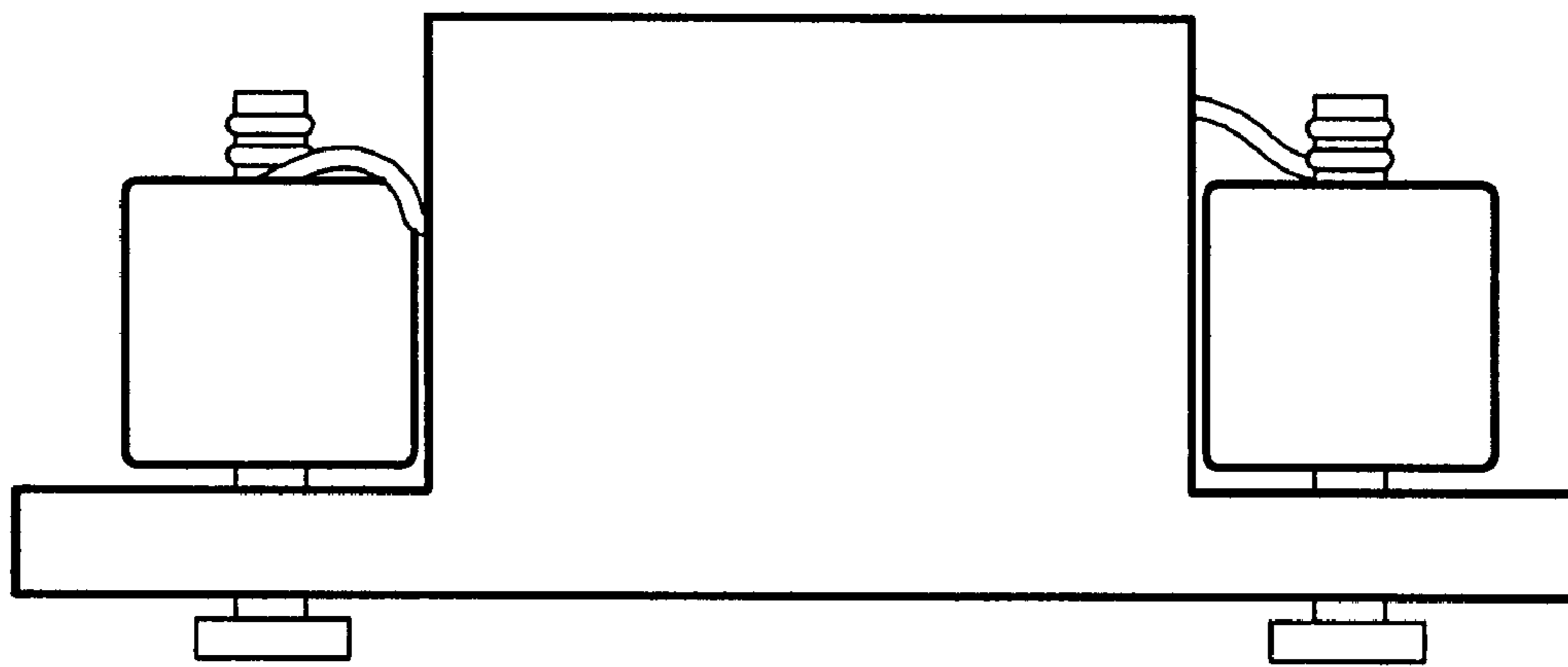


Fig. 6

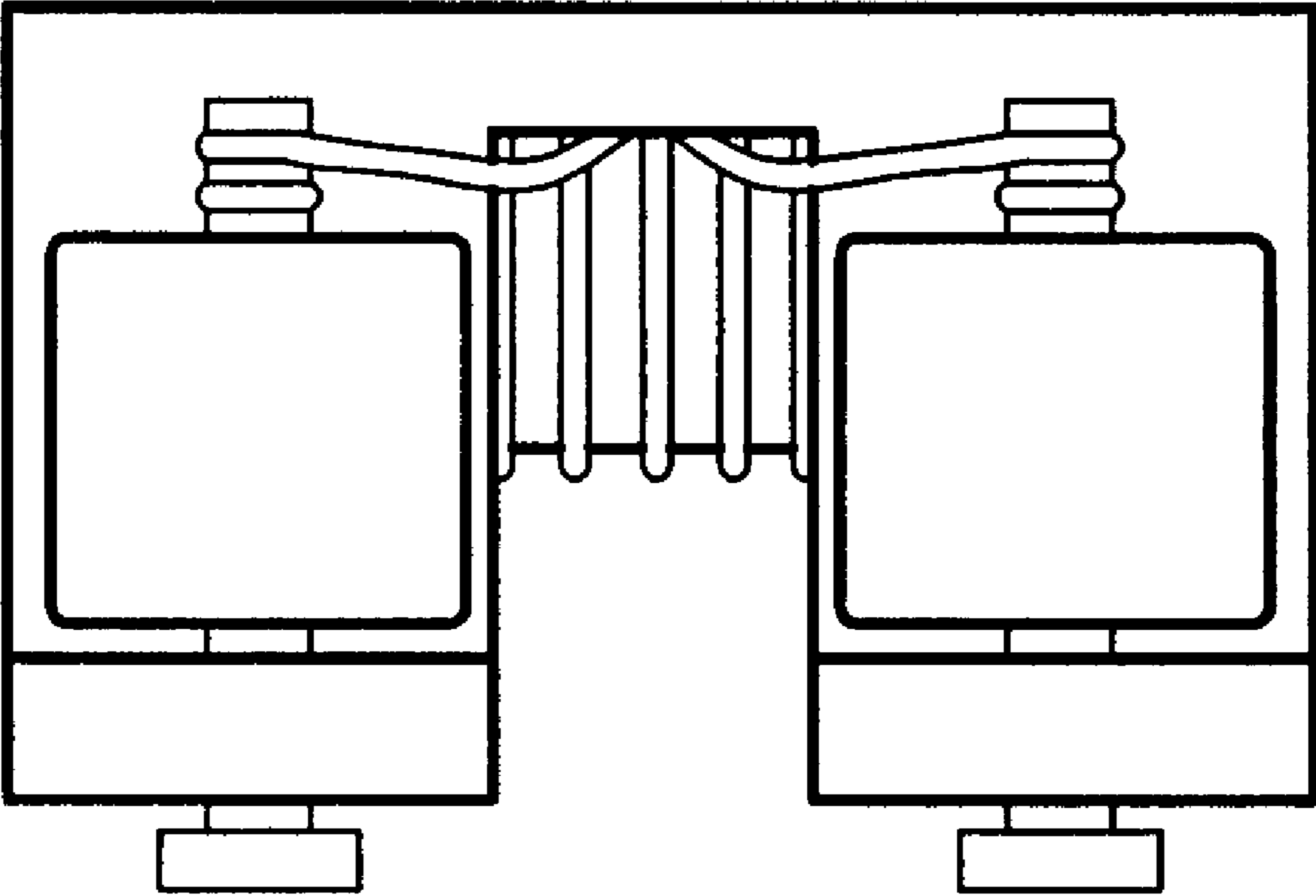


Fig. 7