



US00D496900S1

(12) **United States Design Patent**
Bulaga

(10) **Patent No.:** **US D496,900 S**

(45) **Date of Patent:** **** Oct. 5, 2004**

(54) **AIRCRAFT**

D445,086 S * 7/2001 Moshier D12/319

(76) **Inventor:** **Robert Bulaga**, 113 Crossing Way,
Folsom, CA (US) 95630

* cited by examiner

Primary Examiner—Marcus A. Jackson

(**) **Term:** **14 Years**

(57) **CLAIM**

(21) **Appl. No.:** **29/199,912**

The ornamental design for an aircraft, as shown and described

(22) **Filed:** **Feb. 20, 2004**

DESCRIPTION

(51) **LOC (7) Cl.** **12-99**

FIG. 1 is an isometric view of the aircraft of the present invention, shown from a vantage point to the front, the right, and above the aircraft;

(52) **U.S. Cl.** **D12/319**

FIG. 2 is a top plan view thereof;

(58) **Field of Search** D12/319-345;
244/4 R, 17.11, 17.17, 100 R

FIG. 3 is a bottom plan view thereof;

FIG. 4 is a left side elevational view thereof;

FIG. 5 is a right side elevational view thereof;

FIG. 6 is a front elevational view thereof; and,

FIG. 7 is a rear elevational view thereof.

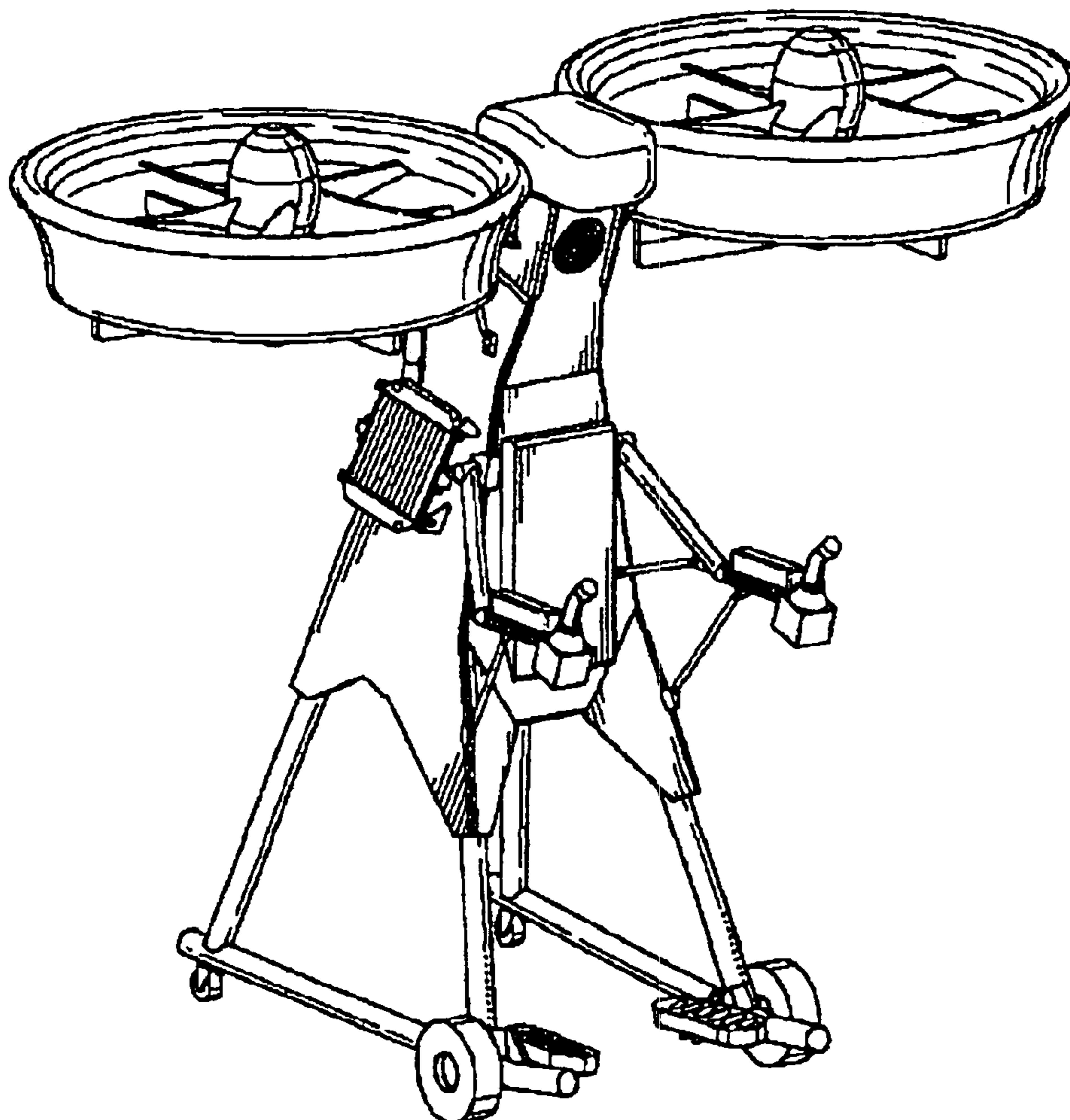
Phantom lining, where utilized, is for illustrative purposes only and is not intended to limit the claimed design to the features shown in phantom.

(56) **References Cited**

U.S. PATENT DOCUMENTS

3,149,799	A	*	9/1964	Hulbert	244/17.17
3,173,629	A	*	3/1965	Uhor	244/17.17
3,314,628	A		4/1967	Myers		
3,474,987	A		10/1969	Meditz		
3,556,438	A		1/1971	Meditz		
3,586,263	A		6/1971	Payne		
D243,594	S	*	3/1977	Koch	D12/345

1 Claim, 4 Drawing Sheets



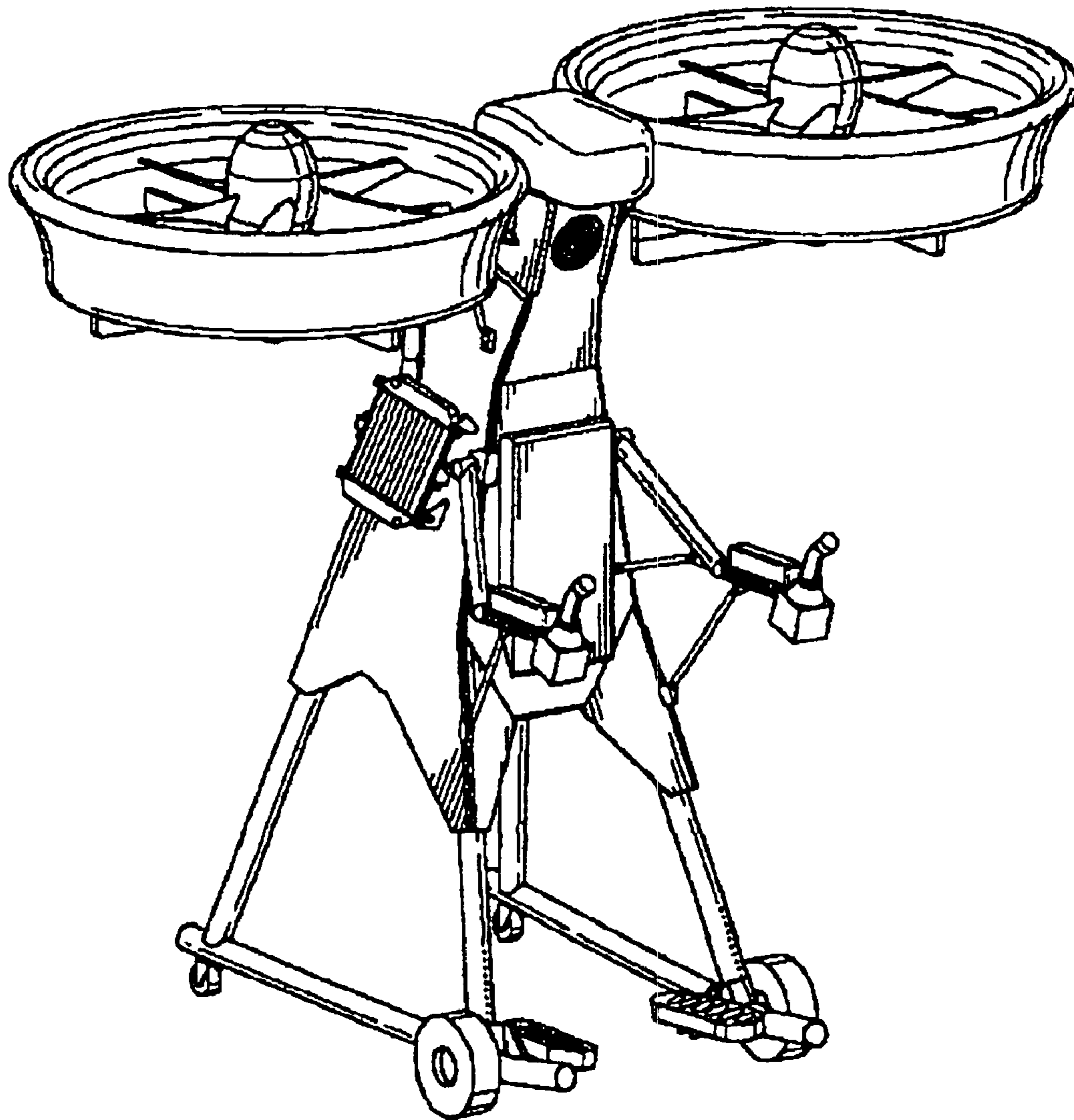


FIG.-1

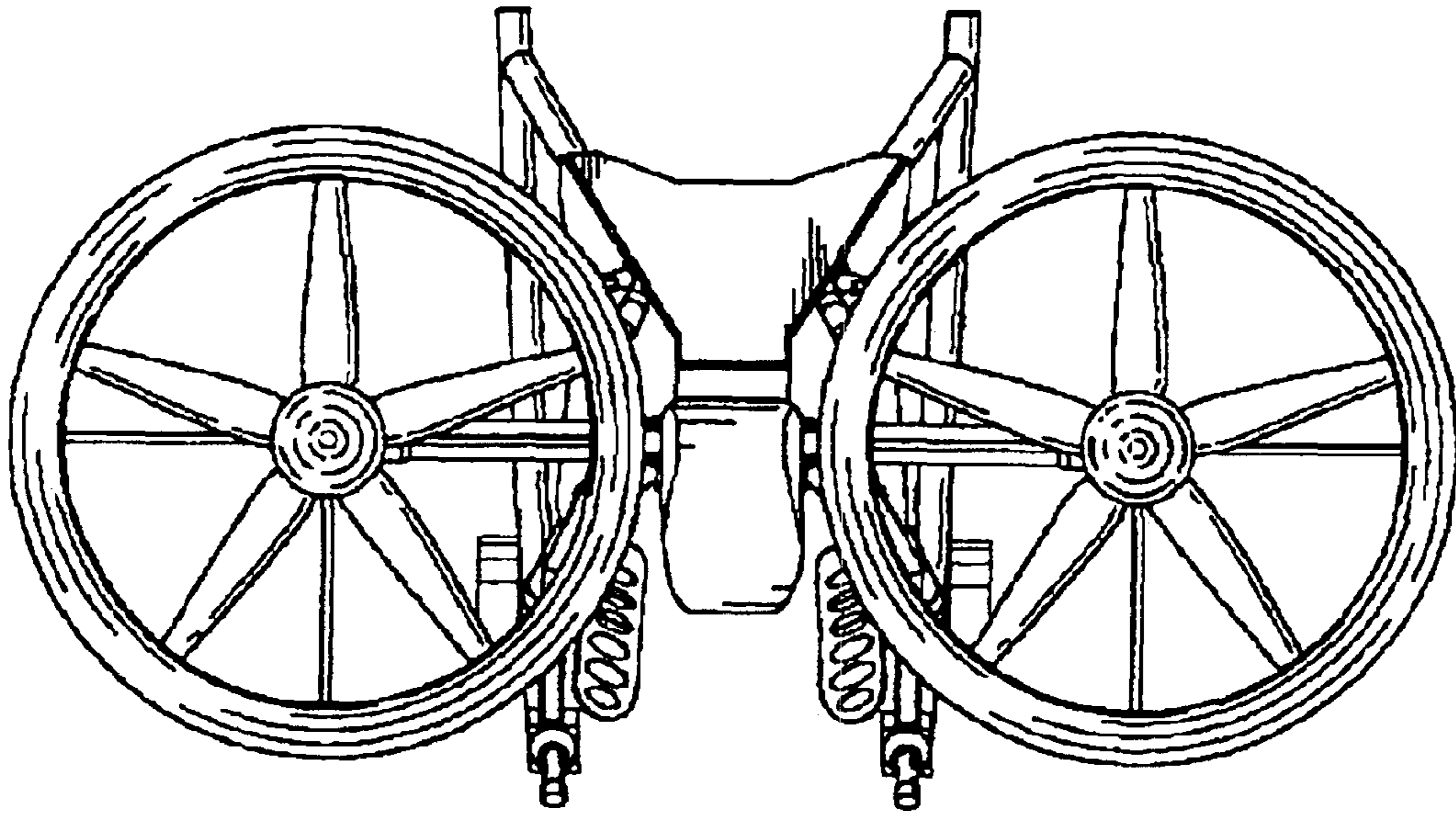


FIG. -2

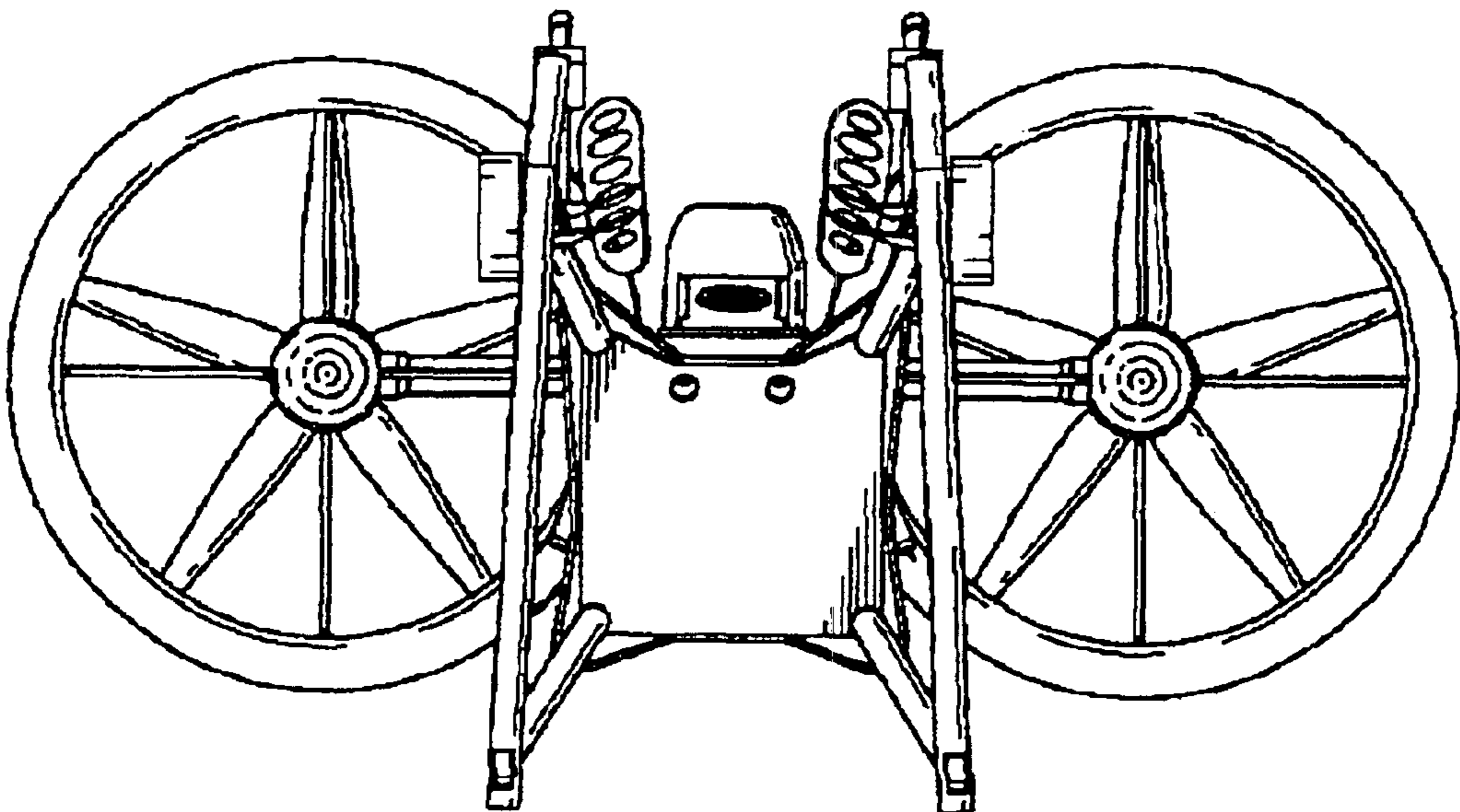


FIG. -3

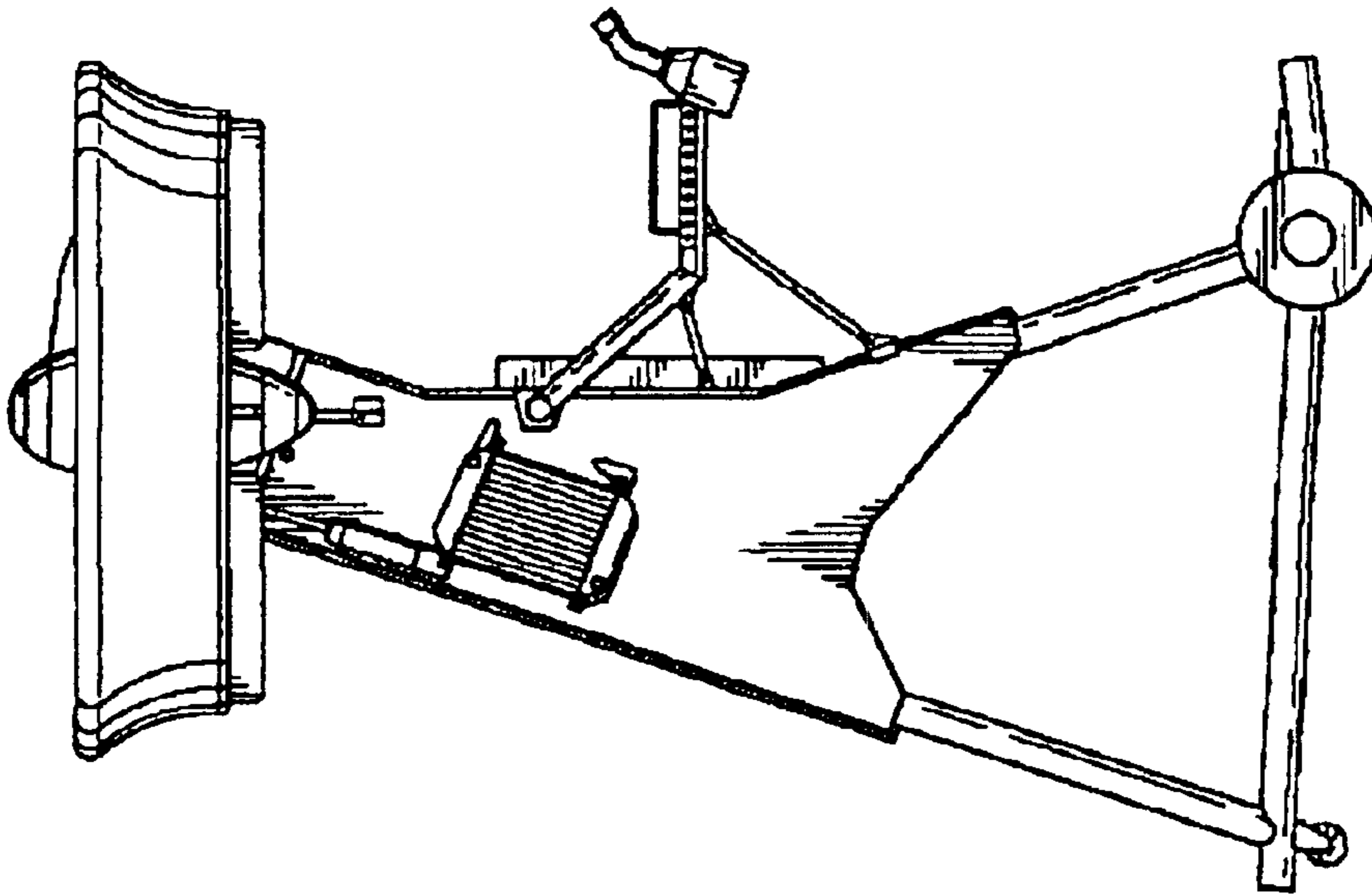


FIG. -5

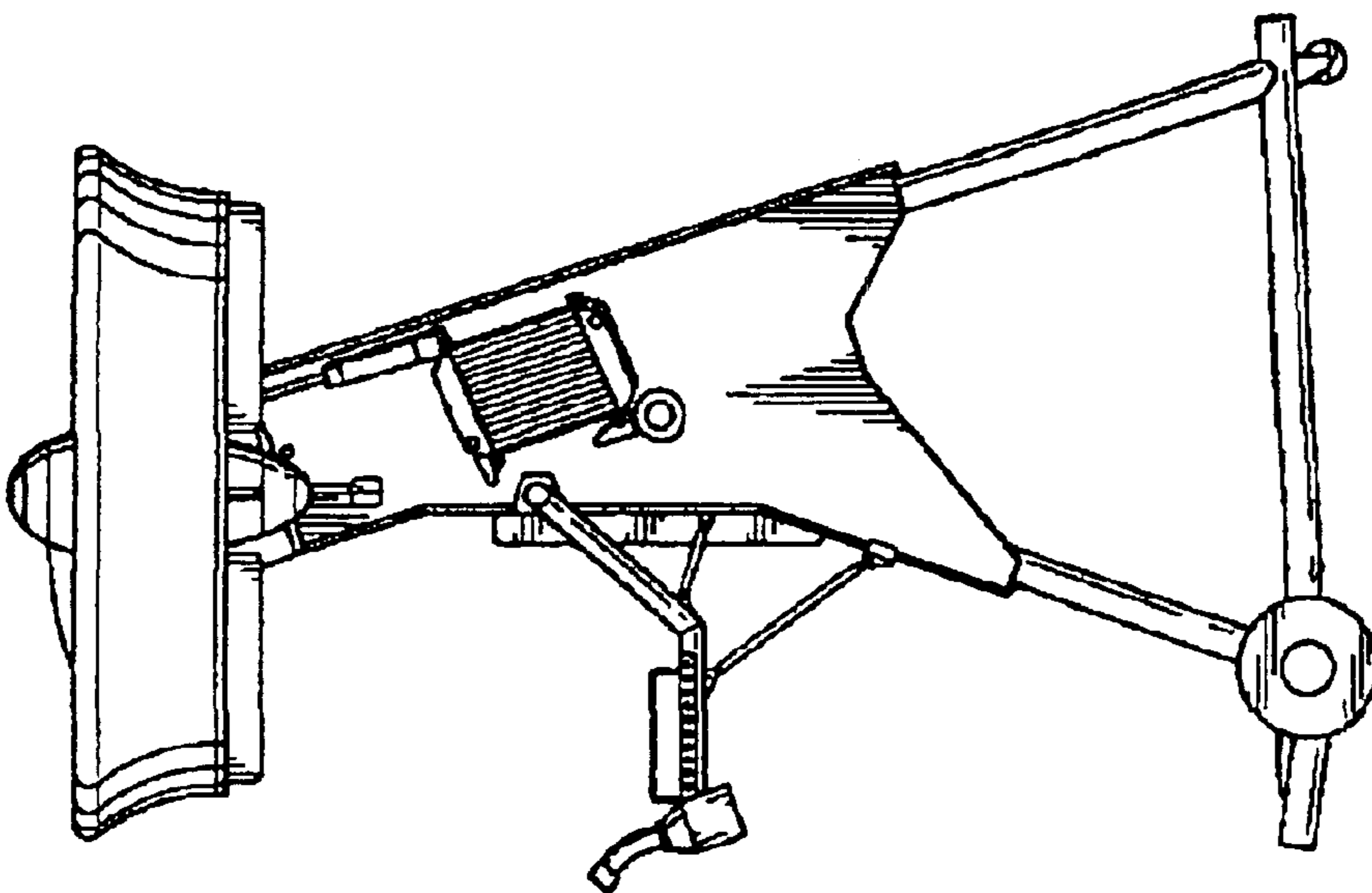


FIG. -4

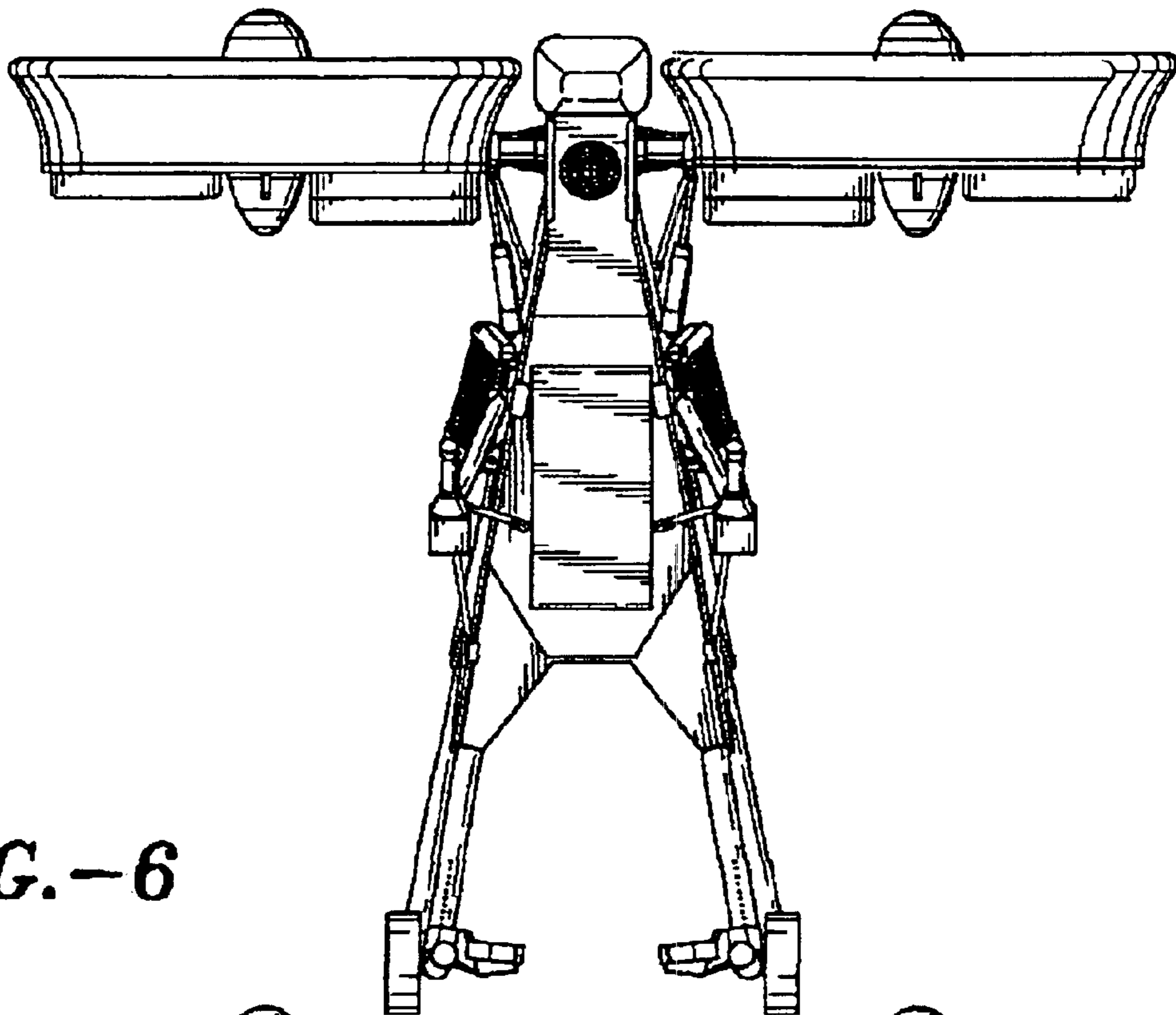


FIG.-6

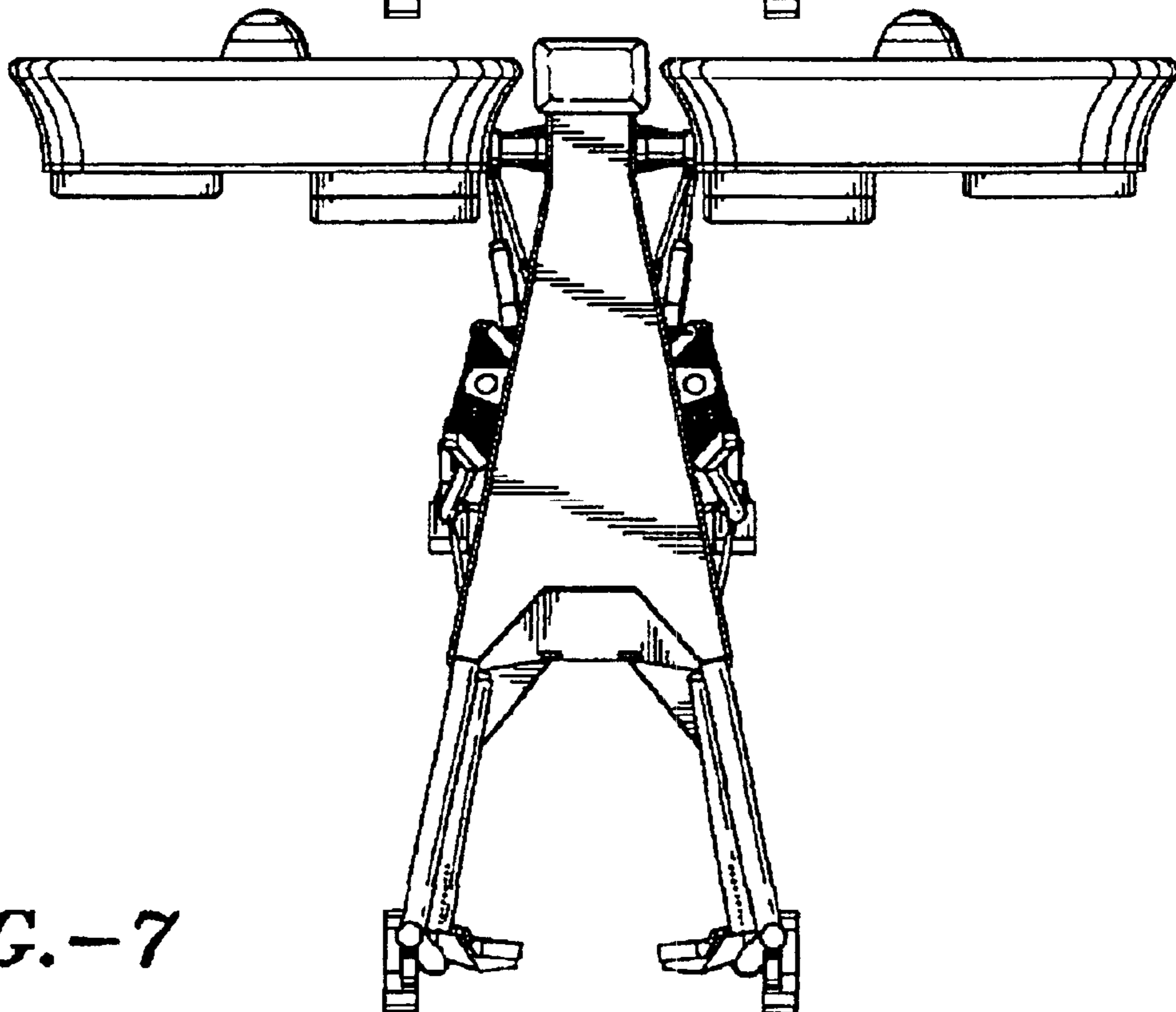


FIG.-7