

US00D496896S1

(12) **United States Design Patent**
Tahira et al.

(10) **Patent No.:** **US D496,896 S**

(45) **Date of Patent:** **** Oct. 5, 2004**

(54) **COVER PANELS FOR METER PANELS AND AIR CONDITIONER BLOW-OFF MOUTHS OF AUTOMOBILES**

(75) Inventors: **Yoku Tahira**, Niiza (JP); **Hiroshi Ito**, Niiza (JP)

(73) Assignee: **Kabushiki Kaisha Honda Access**, Niiza (JP)

(**) Term: **14 Years**

(21) Appl. No.: **29/171,691**

(22) Filed: **Nov. 27, 2002**

(51) **LOC (7) Cl.** **12-16**

(52) **U.S. Cl.** **D12/192**

(58) **Field of Search** D12/192, 114, D12/174, 103, 98, 125, 110, 190; 180/90, 219, 176; 280/281.1, 288.1–288.4, 752, DIG. 5; 296/70, 190–191; D10/46, 46.3, 49, 98, 123–126; D14/114.3–114.5; 116/62.1–62.4

(56) **References Cited**

U.S. PATENT DOCUMENTS

D44,618 S	*	9/1913	Ross	D12/192
D54,140 S	*	11/1919	Smith	D12/192
D54,194 S	*	11/1919	Berge	D12/192
D195,783 S	*	7/1963	Woods	D12/192
4,183,654 A		1/1980	Waschk et al.		
4,386,840 A		6/1983	Garthwaite et al.		
4,766,288 A		8/1988	Berkes et al.		
5,448,344 A		9/1995	Itakura et al.		
5,521,689 A		5/1996	Miyakoshi		
D381,614 S	*	7/1997	Ma	D12/192
D413,294 S	*	8/1999	Lagaay	D12/192

D435,491 S	*	12/2000	Keeman	D12/114
D436,565 S	*	1/2001	Tsay et al.	D12/192
D461,437 S	*	8/2002	Hofmann et al.	D12/192
D467,844 S	*	12/2002	Preston	D12/192
D471,141 S	*	3/2003	Hofmann et al.	D12/192
D472,506 S	*	4/2003	Wiedeman et al.	D12/192

FOREIGN PATENT DOCUMENTS

EP	59-104680	6/1984
EP	62-161183	7/1987

OTHER PUBLICATIONS

European Search Report.

* cited by examiner

Primary Examiner—Stacia Cadmus

(74) *Attorney, Agent, or Firm*—Westerman, Hattori, Daniels & Adrian, LLP

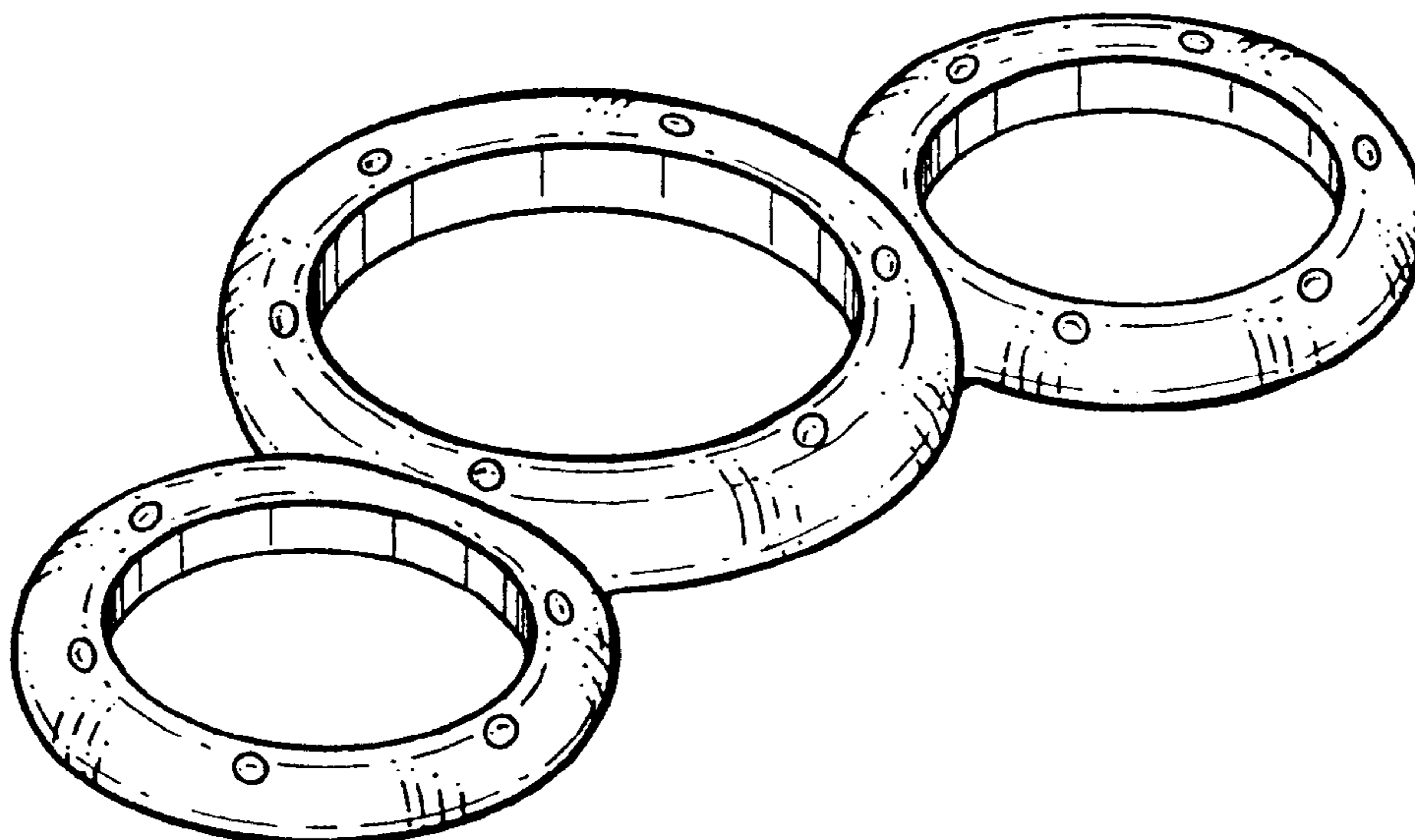
(57) **CLAIM**

The ornamental design for cover panels for meter panels and air conditioner blow-off mouths of automobiles, as shown and described.

DESCRIPTION

FIG. 1 is a perspective view;
FIG. 2 is a front view;
FIG. 3 is a top plan view;
FIG. 4 is a bottom plan view;
FIG. 5 is a right side elevational view;
FIG. 6 is a left side elevational view; and,
FIG. 7 is a cross-sectional view taken along line 7—7 as shown in FIG. 2.

1 Claim, 3 Drawing Sheets



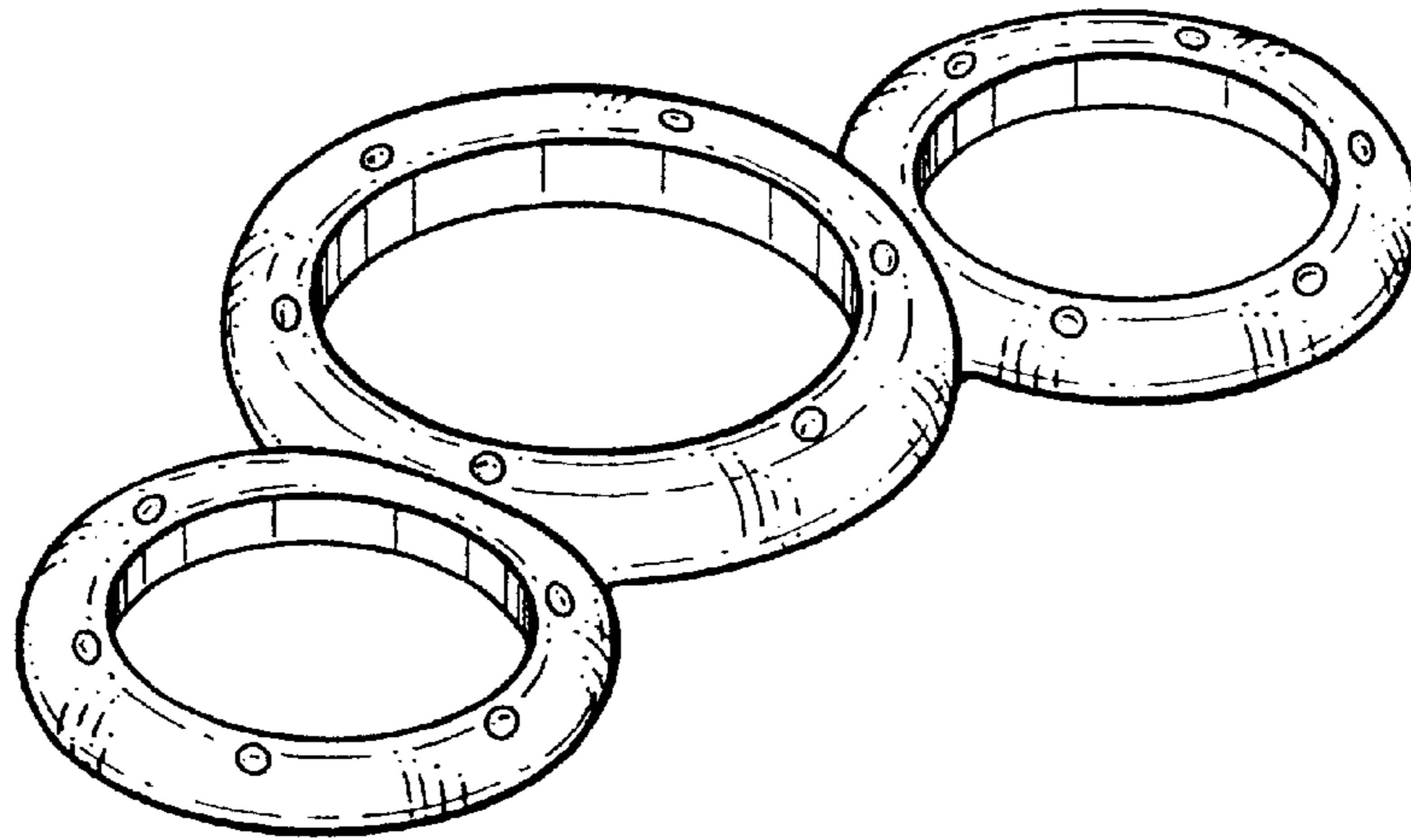


FIGURE 1

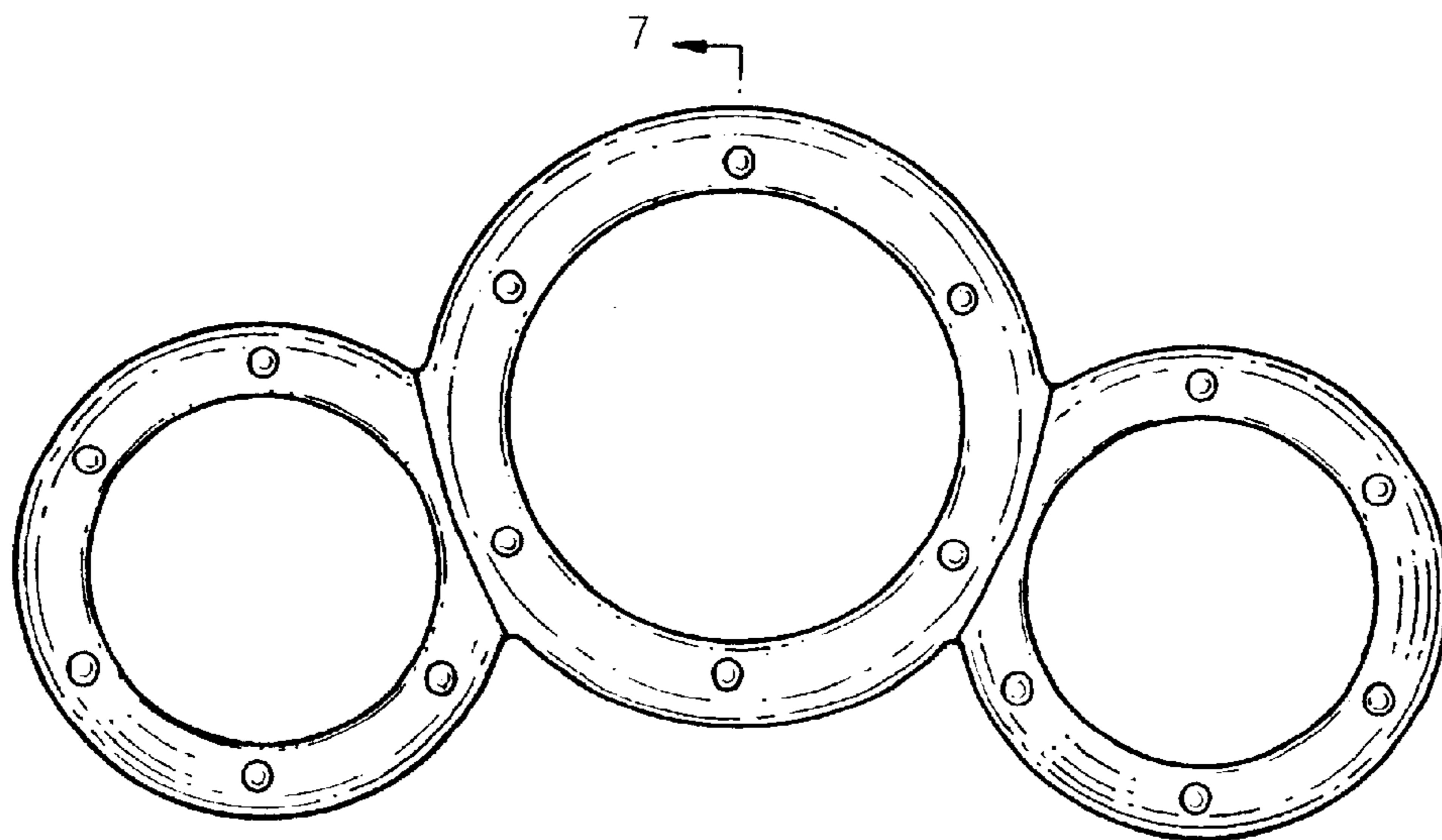


FIGURE 2

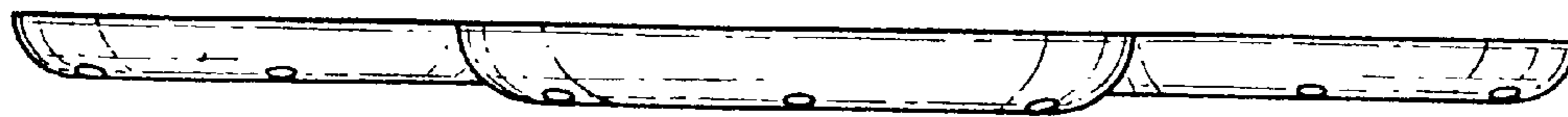


FIGURE 3

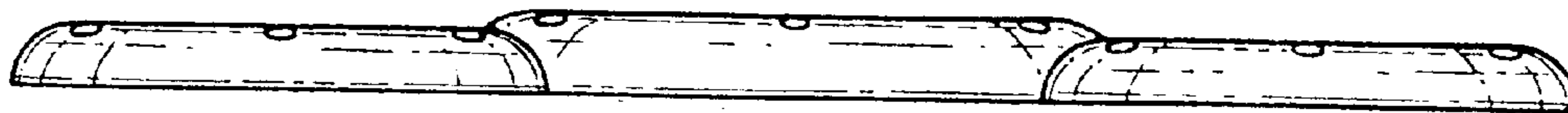


FIGURE 4



FIGURE 5



FIGURE 6



FIGURE 7