

US00D496887S1

(12) **United States Design Patent**  
**Carlson**

(10) **Patent No.:** **US D496,887 S**

(45) **Date of Patent:** **\*\* Oct. 5, 2004**

(54) **BILLET LOWER CONTROL ARM**

(75) **Inventor:** **Andrew D. Carlson**, Boca Raton, FL  
(US)

(73) **Assignee:** **Steeda Autosports, Inc.**, Pompano  
Beach, FL (US)

(\*\*) **Term:** **14 Years**

(21) **Appl. No.:** **29/193,213**

(22) **Filed:** **Nov. 5, 2003**

(51) **LOC (7) Cl.** ..... **12-16**

(52) **U.S. Cl.** ..... **D12/159**

(58) **Field of Search** ..... D12/159-160,  
D12/400, 7, 179; 280/166-167, 670, 696,  
701, 788, 724-726; 180/190, 193, 182,  
9.5

(56) **References Cited**

**U.S. PATENT DOCUMENTS**

D60,289 S \* 1/1922 Endres ..... D12/159  
D223,024 S \* 2/1972 Thomas ..... D12/159

3,735,999 A \* 5/1973 Blackledge et al. .... D12/160  
D289,277 S \* 4/1987 Horberg et al. .... D12/160  
D385,835 S \* 11/1997 Webster ..... D12/159  
D393,615 S \* 4/1998 Aube et al. .... D12/159

\* cited by examiner

*Primary Examiner*—Stacia Cadmus

(74) *Attorney, Agent, or Firm*—McHale & Slavin, P.A.

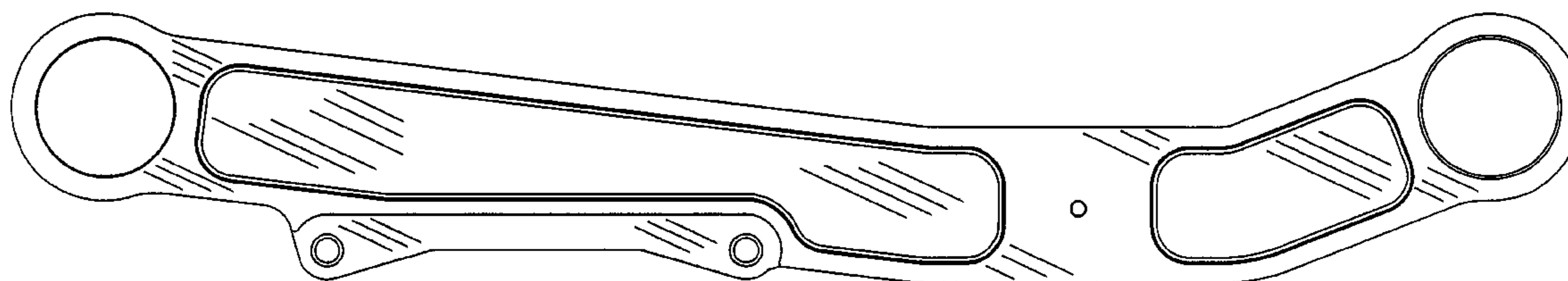
(57) **CLAIM**

The ornamental design for a billet lower control arm, as shown and described.

**DESCRIPTION**

FIG. 1 is a left side plan view of the billet lower control arm of the instant invention;  
FIG. 2 is a back plan view thereof;  
FIG. 3 is a right side plan view thereof;  
FIG. 4 is a top plan view thereof;  
FIG. 5 is a bottom plan view thereof;  
FIG. 6 is a bottom left isometric view thereof; and,  
FIG. 7 is a top left isometric view.

**1 Claim, 7 Drawing Sheets**



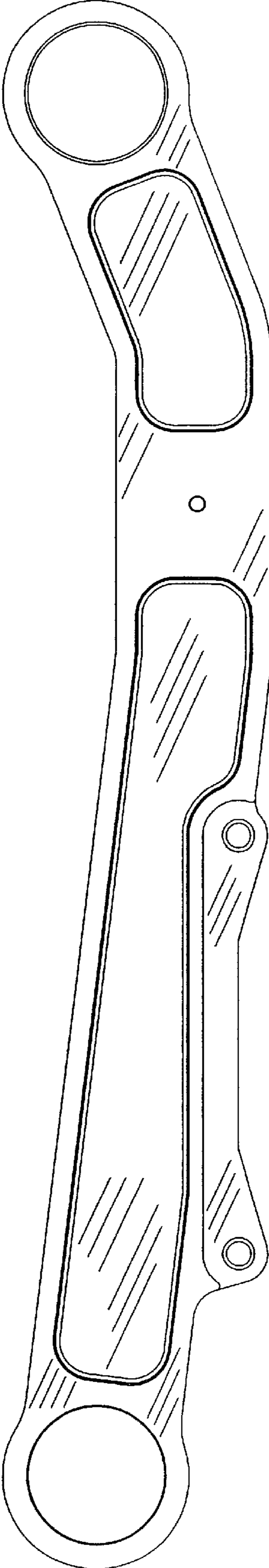
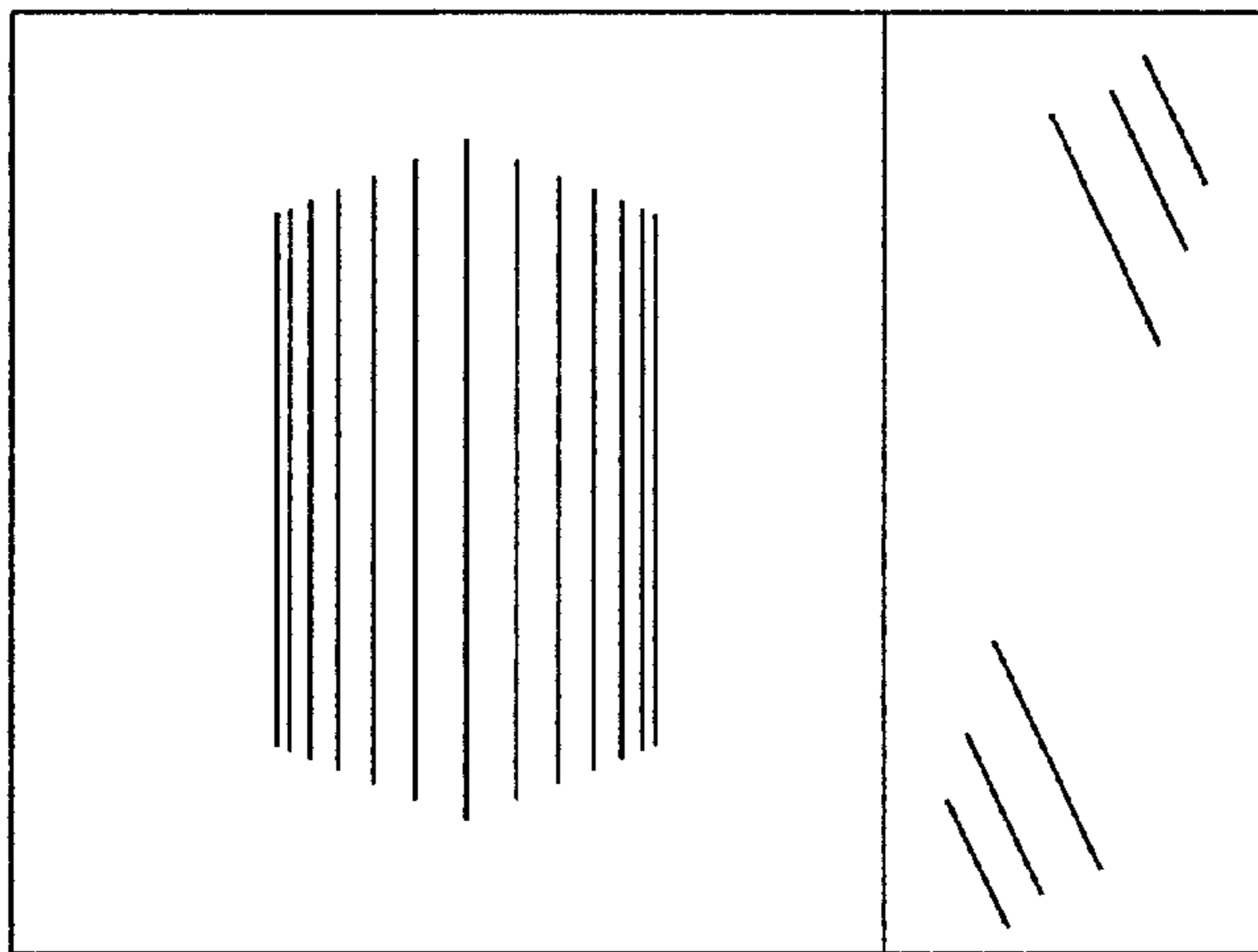


FIGURE 1



**FIGURE 2**

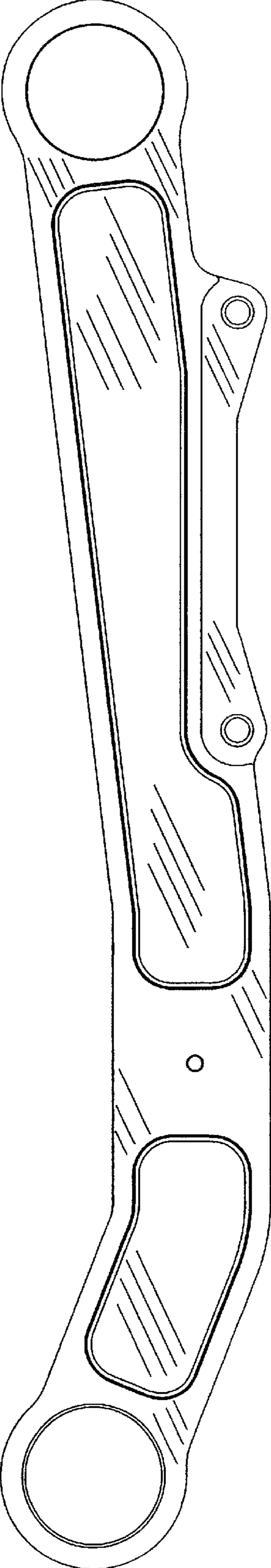


FIGURE 3

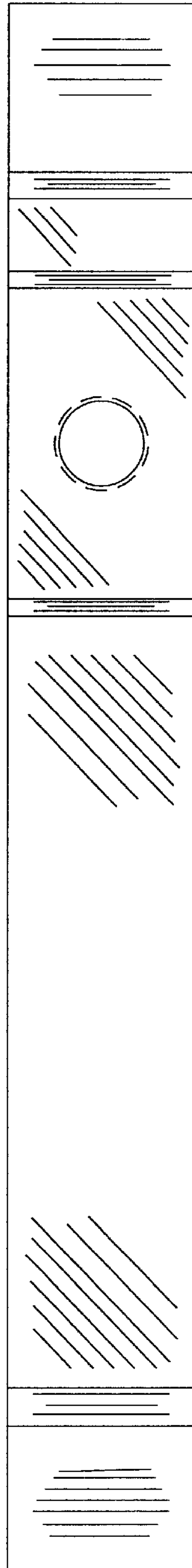


FIGURE 4

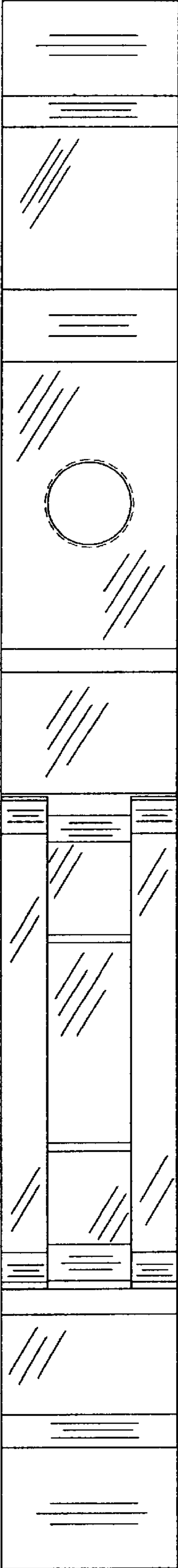


FIGURE 5

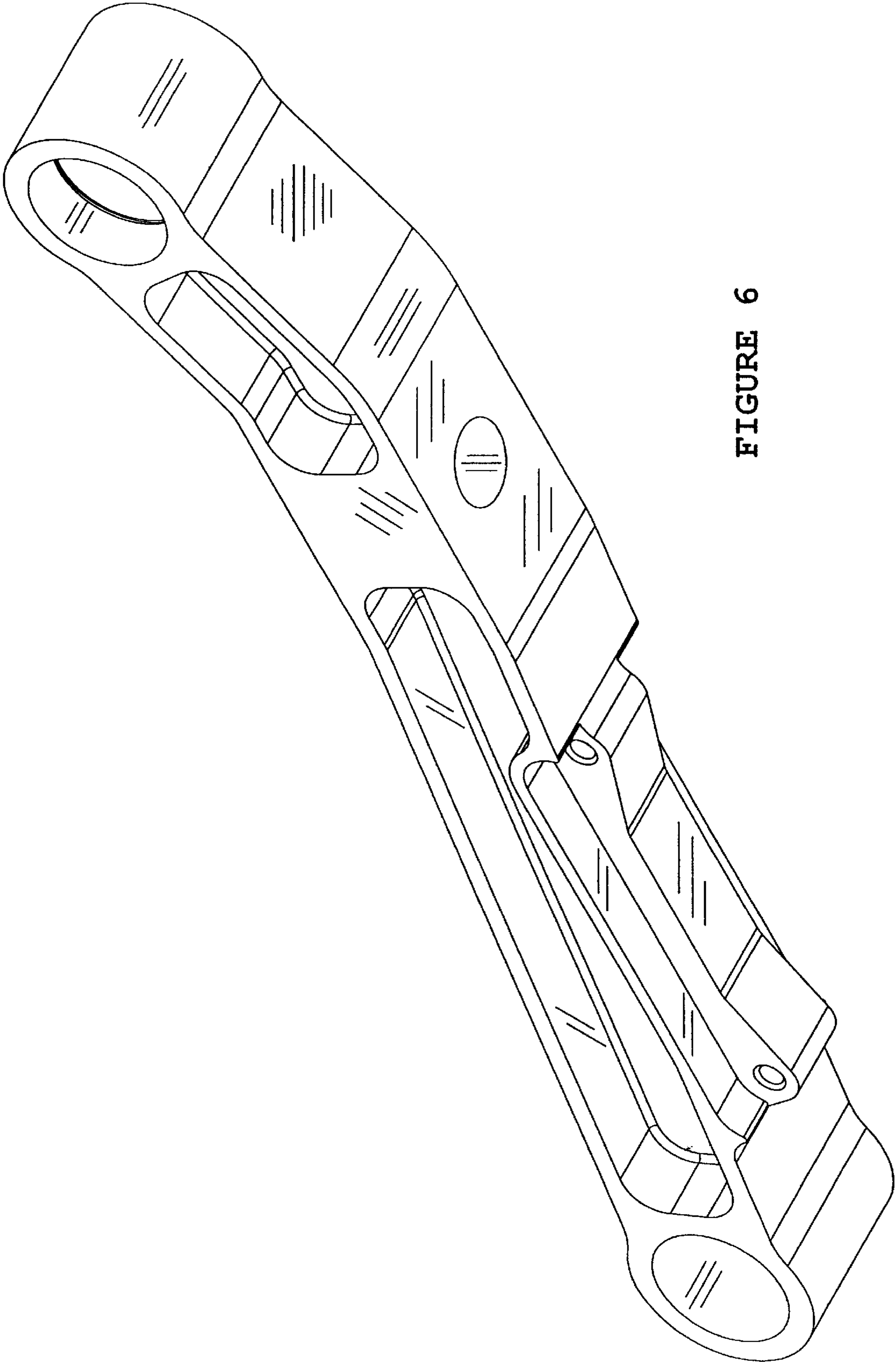


FIGURE 6



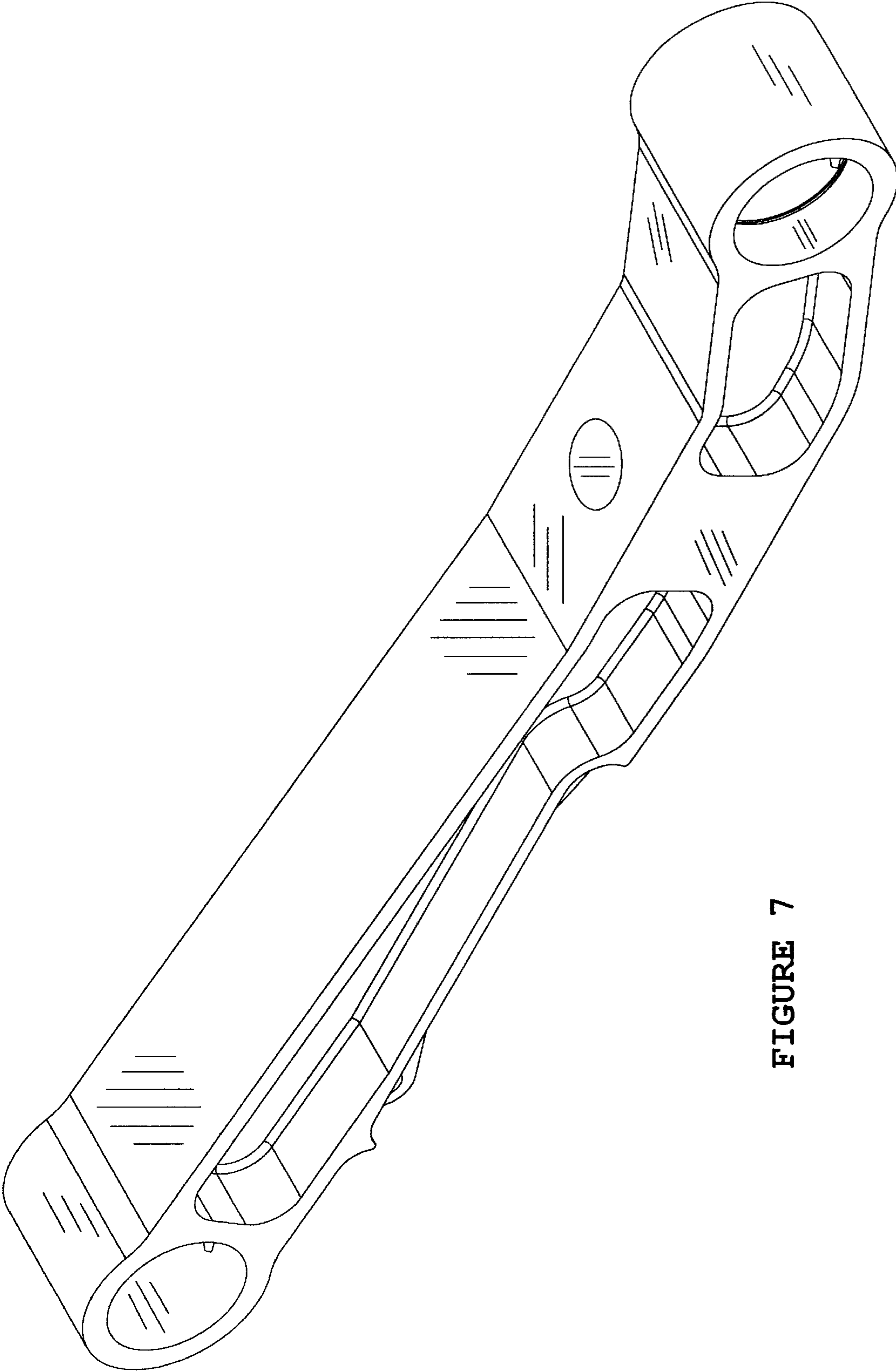


FIGURE 7