

US00D496886S1

(12) **United States Design Patent**
Everett et al.

(10) **Patent No.:** **US D496,886 S**
(45) **Date of Patent:** **** Oct. 5, 2004**

(54) **CHASSIS ASSEMBLY FOR A MOTORCYCLE**

5,845,728 A * 12/1998 Itoh et al. 180/219
D454,318 S * 3/2002 Schroeder et al. D12/110

(75) Inventors: **Stephen Everett**, London (GB);
Benjamin Wood, London (GB);
Stephen Thompson, Staffordshire
(GB); **Gavin Palmer**, London (GB);
Clive Kilford, London (GB); **Nicholas
Carpenter**, London (GB); **David
Rendell**, London (GB)

* cited by examiner

Primary Examiner—Alan P. Douglas
Assistant Examiner—Linda Brooks
(74) *Attorney, Agent, or Firm*—Banner & Witcoff Ltd.

(73) Assignee: **Brumby Corporation Limited** (GB)

(**) Term: **14 Years**

(57) **CLAIM**

The ornamental design for a chassis assembly for a motorcycle, as shown and described.

(21) Appl. No.: **29/172,097**

(22) Filed: **Dec. 6, 2002**

DESCRIPTION

(30) **Foreign Application Priority Data**

Jun. 7, 2002 (GB) 3004183

(51) **LOC (7) Cl.** **12-11**

(52) **U.S. Cl.** **D12/117**

(58) **Field of Search** D12/110, 114,
D12/117, 184–186; 180/219, 68.1, 311,
312, 229; 280/152.1–152.3, 160.1, 287,
848, 852, 781, 288.1–288.4, 281.1, 274,
275, 276, 278

FIG. 1 is a side elevational view of one side of a chassis assembly for a motorcycle showing our new design;

FIG. 2 is a top plan view thereof;

FIG. 3 is a bottom plan view thereof;

FIG. 4 is a side elevational view of the other side thereof;

FIG. 5 is a front elevational view thereof;

FIG. 6 is a rear elevational view thereof;

FIG. 7 is a front perspective view thereof;

FIG. 8 is a rear perspective view thereof; and,

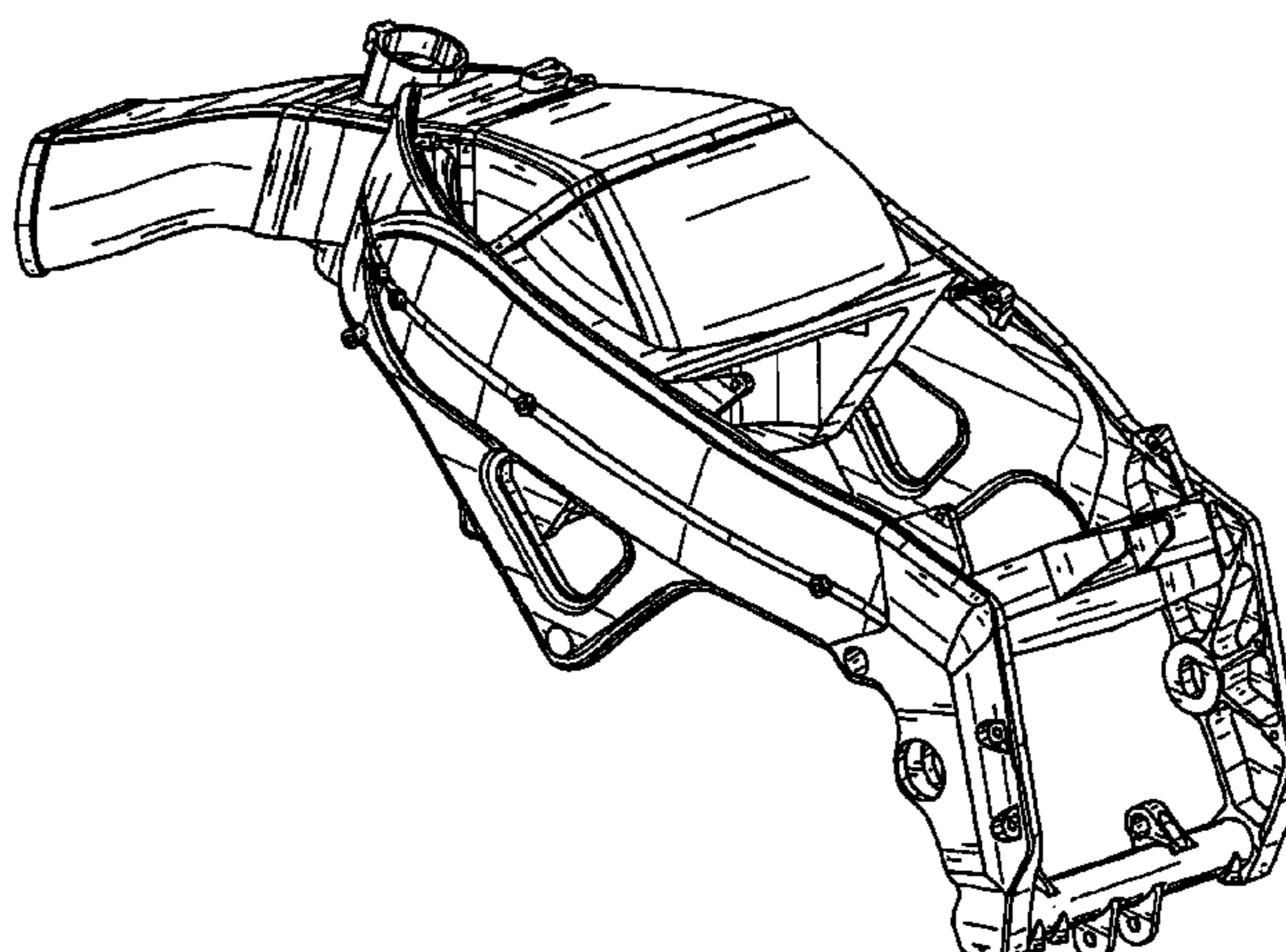
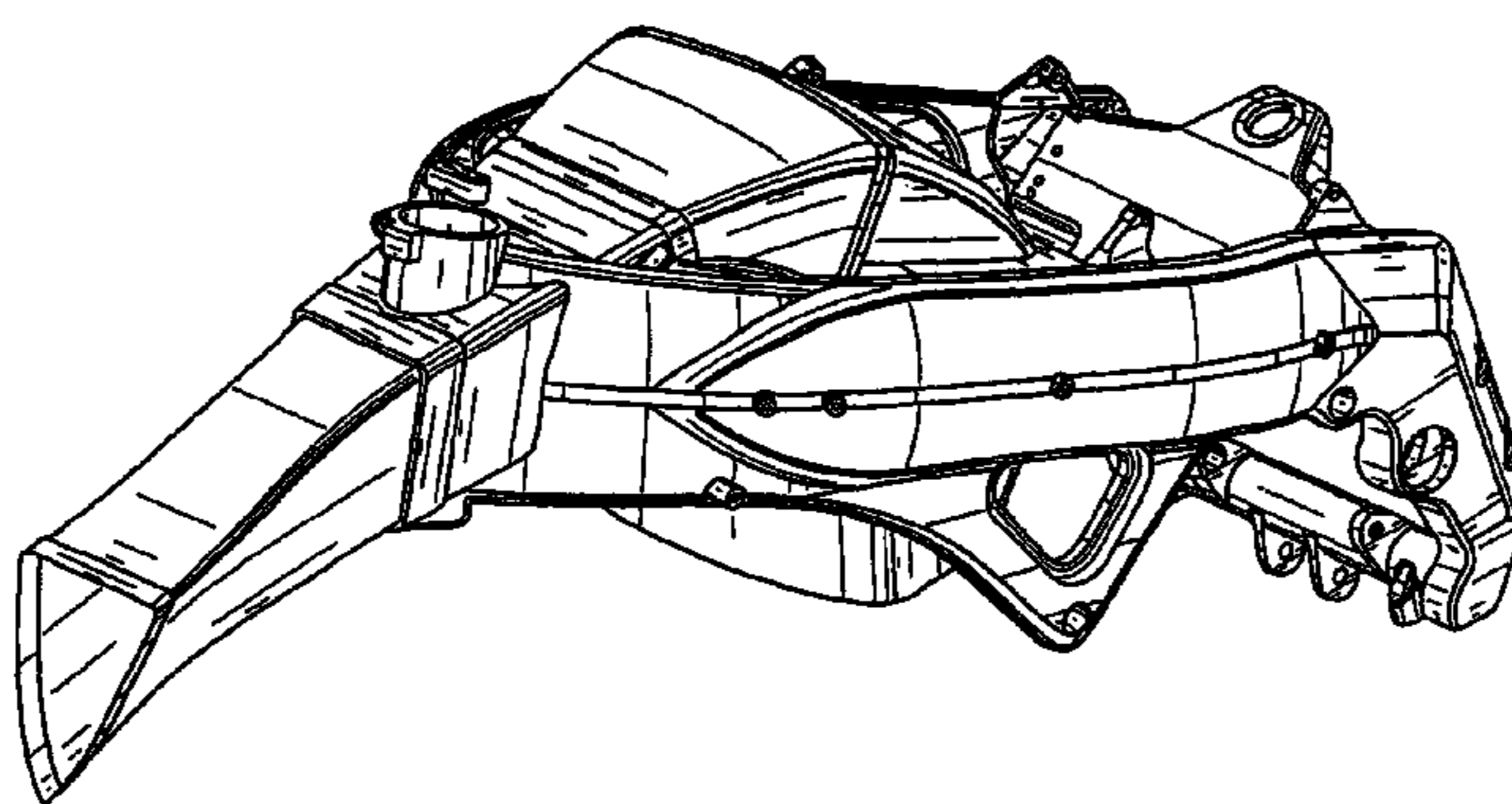
FIG. 9 is a side elevational view thereof on a reduced scale shown in position of use on a motorcycle, which is shown in broken lines for illustrative purposes only and forms no part of the claimed design.

(56) **References Cited**

U.S. PATENT DOCUMENTS

5,480,001 A * 1/1996 Hara 180/227

1 Claim, 9 Drawing Sheets



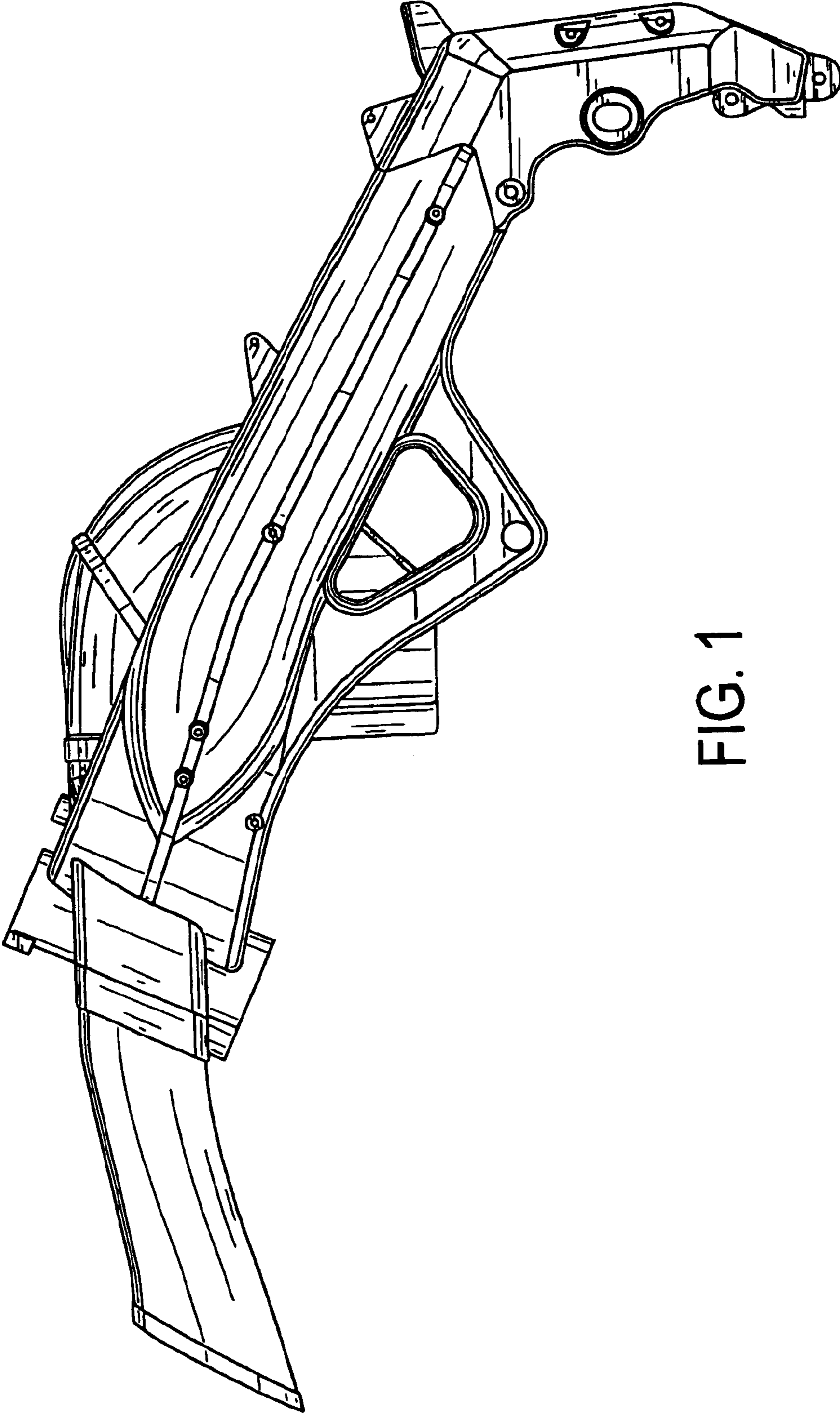


FIG. 1

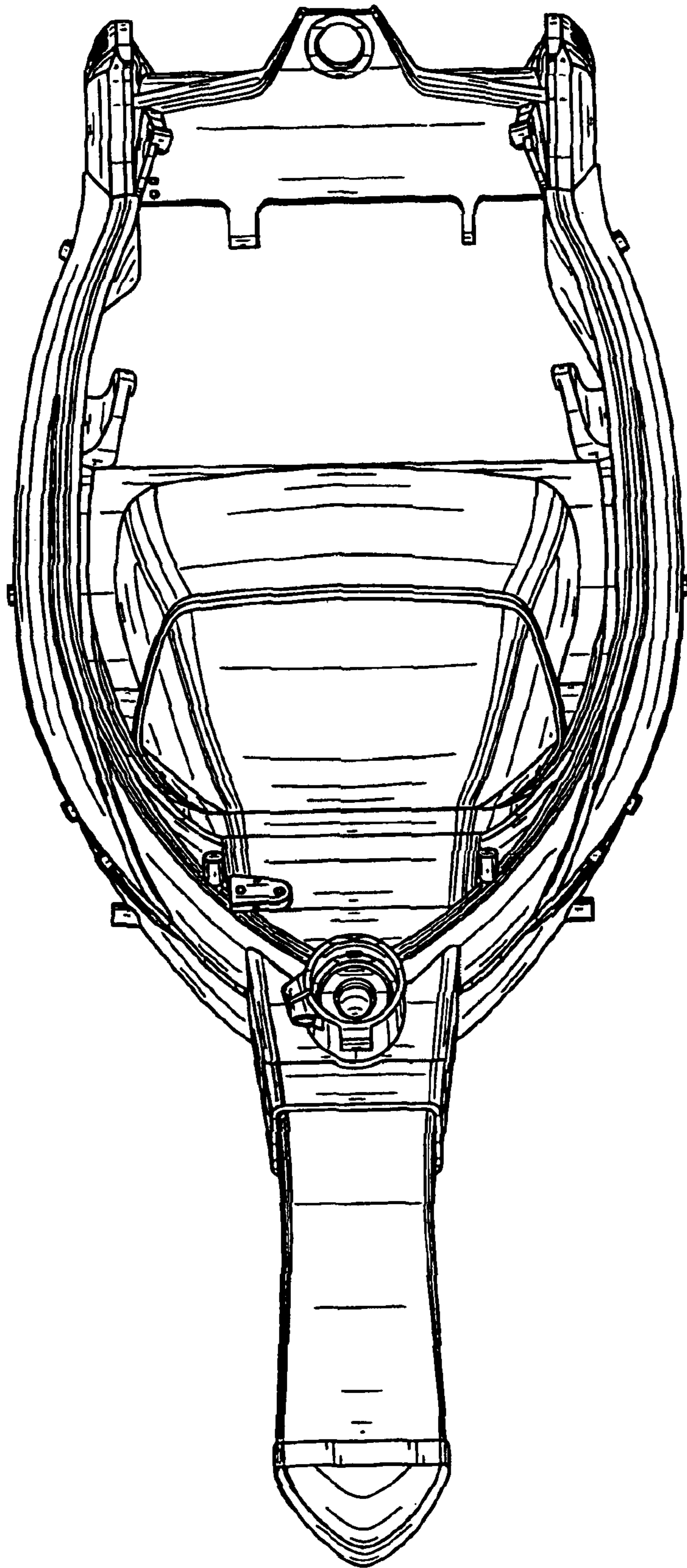


FIG. 2

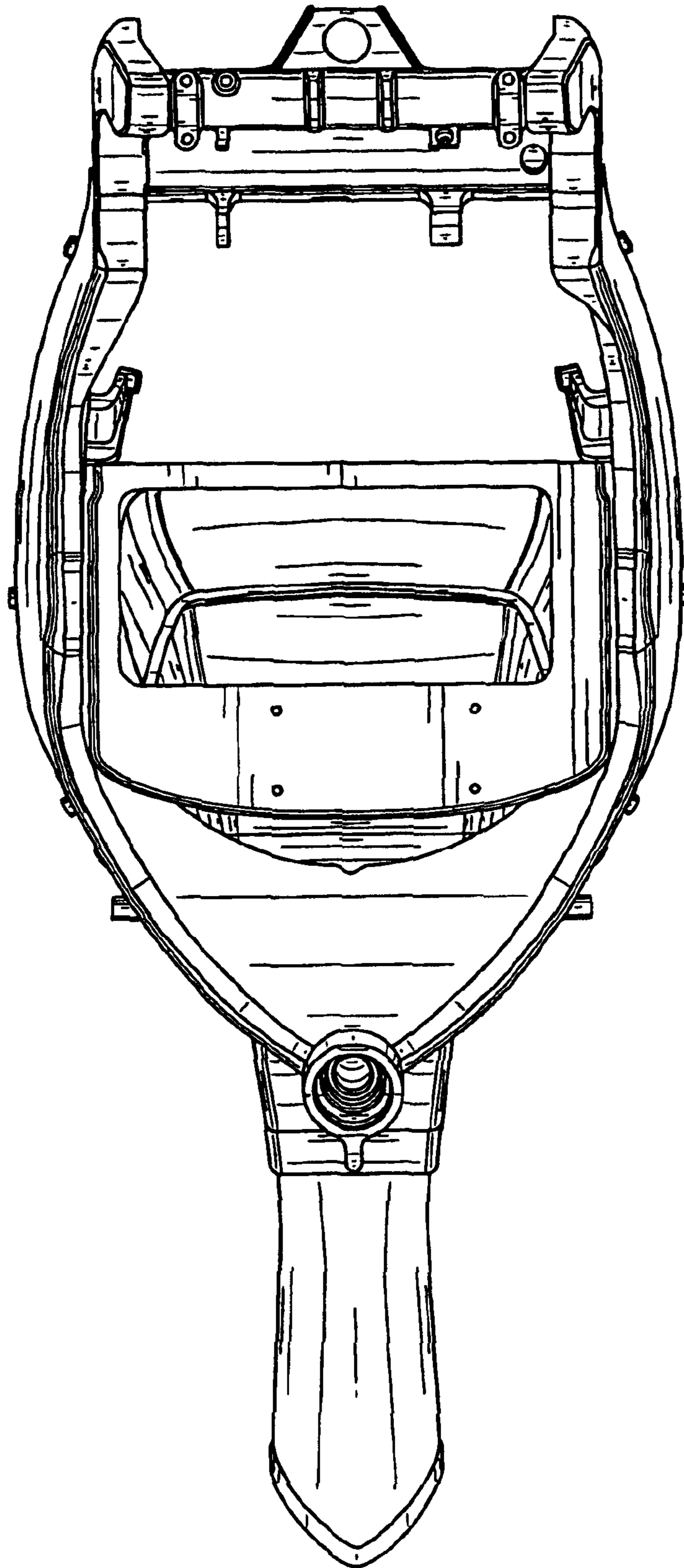


FIG. 3

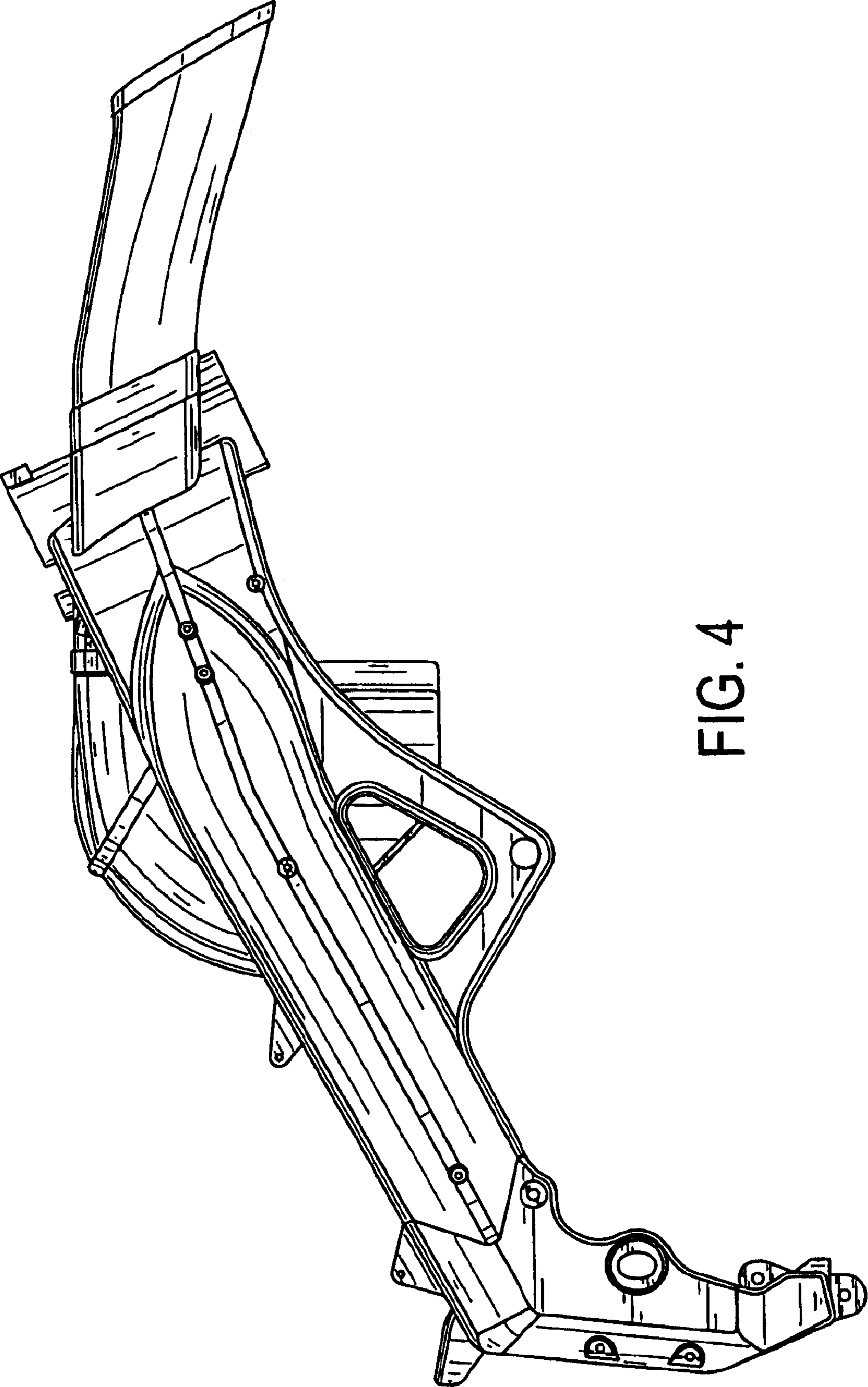


FIG. 4

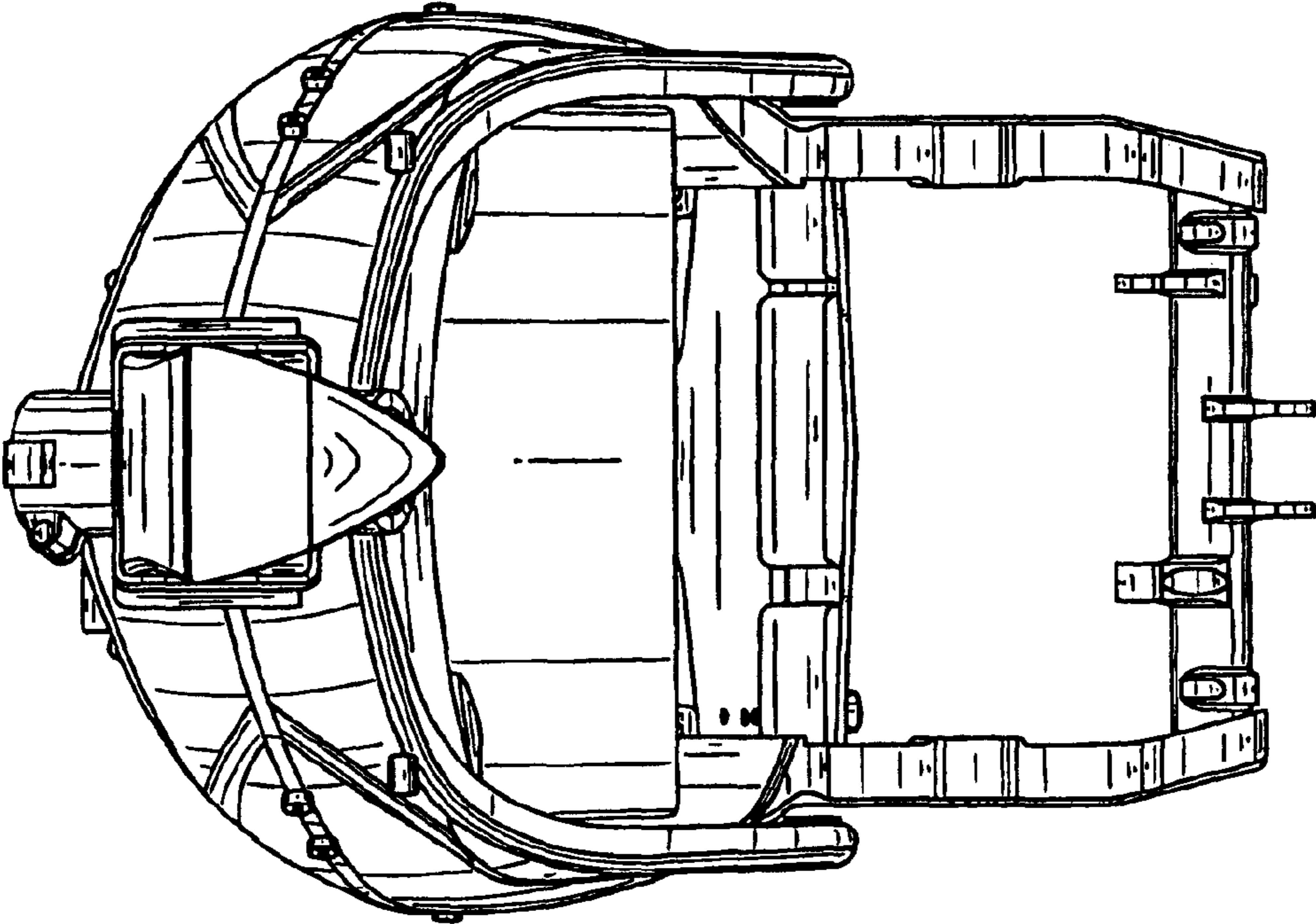


FIG. 5

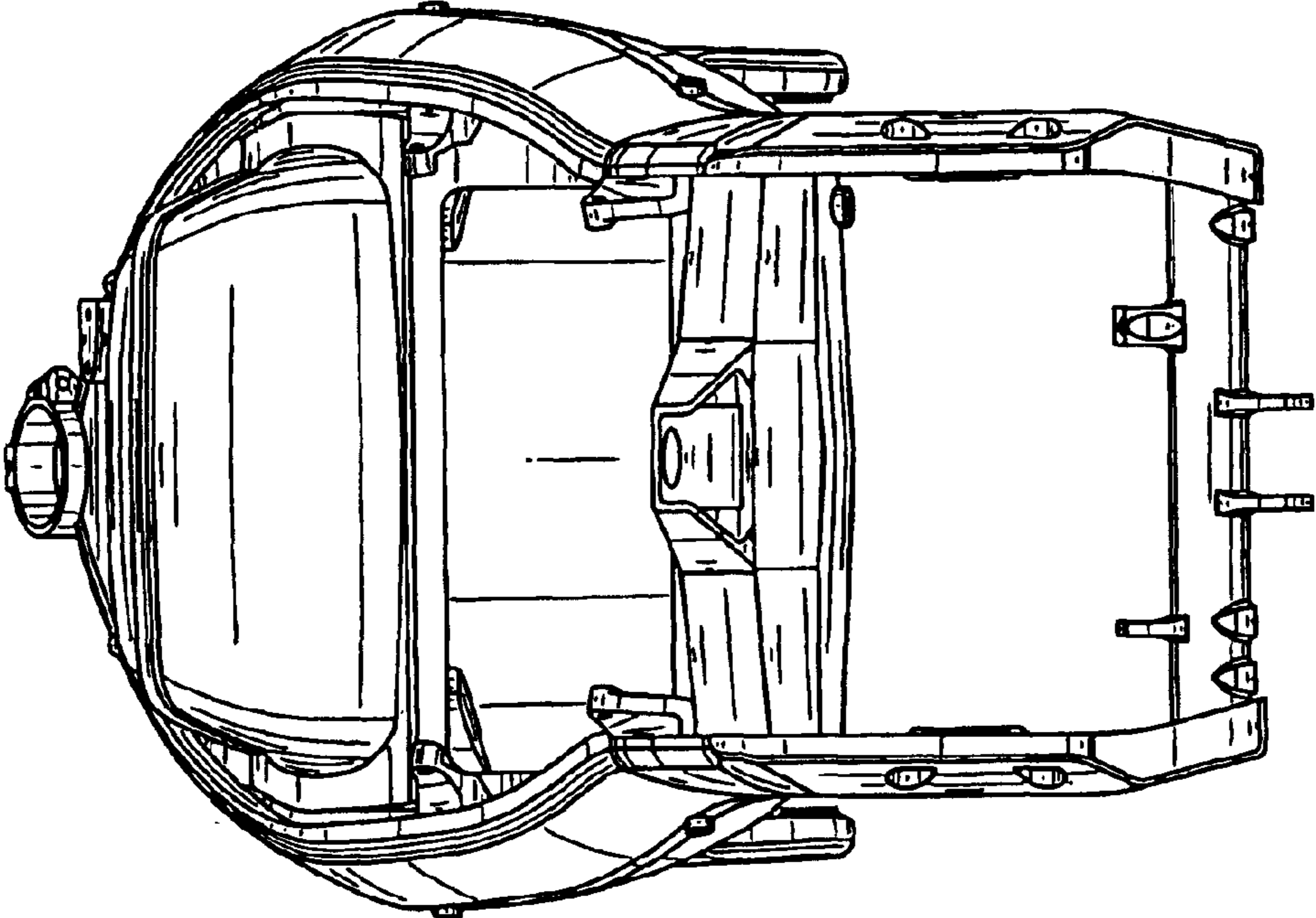


FIG. 6

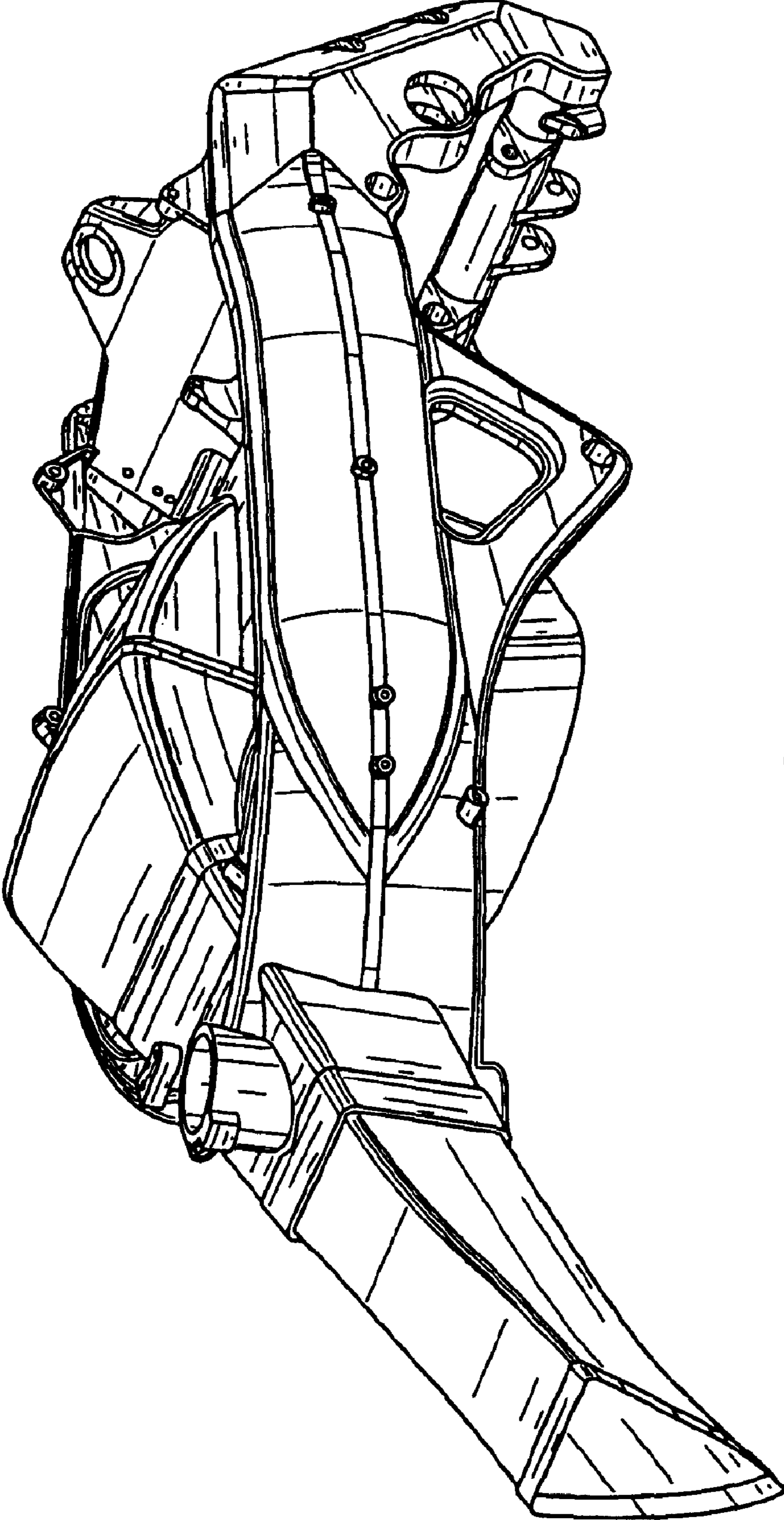


FIG. 7

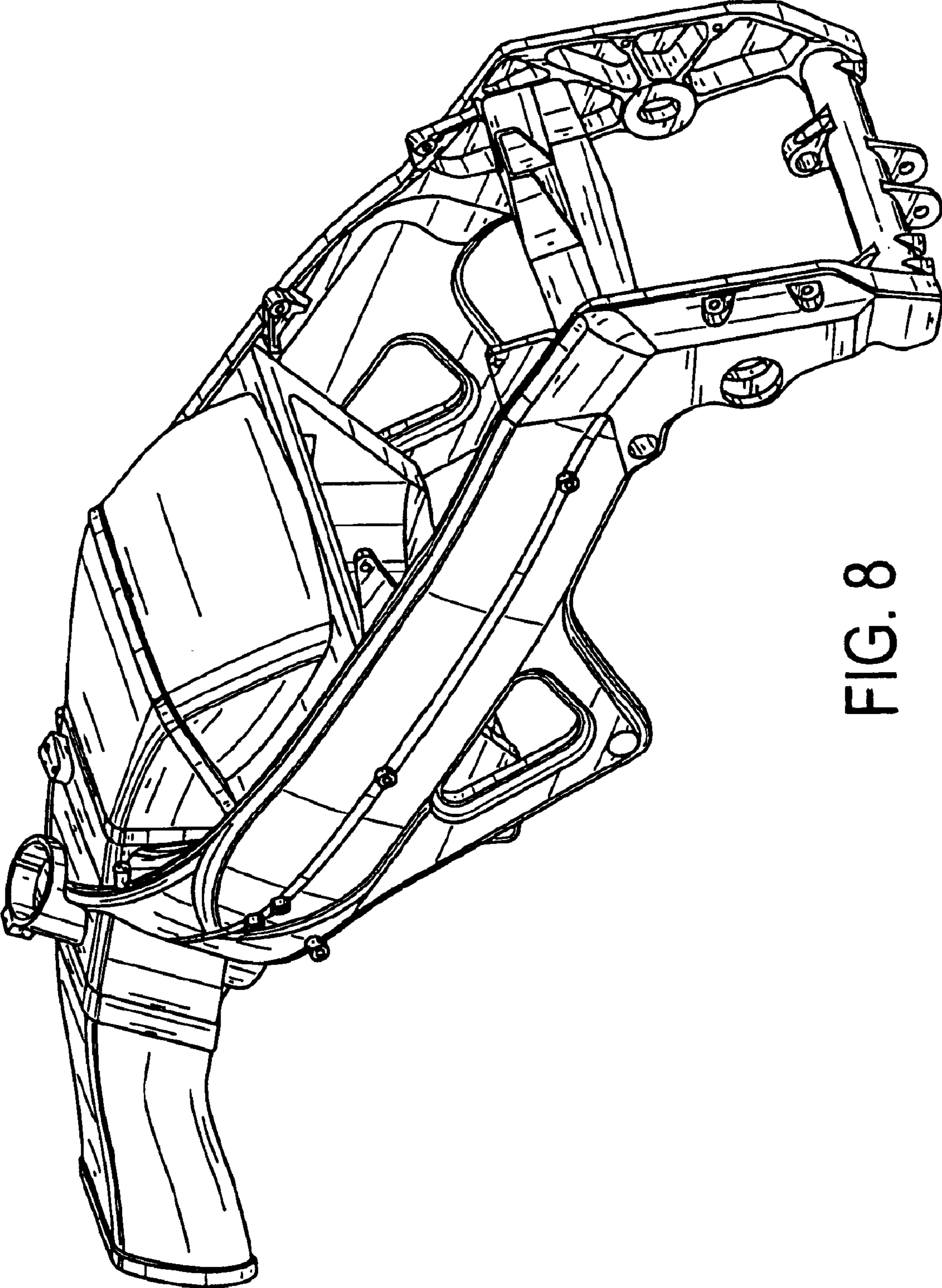


FIG. 8

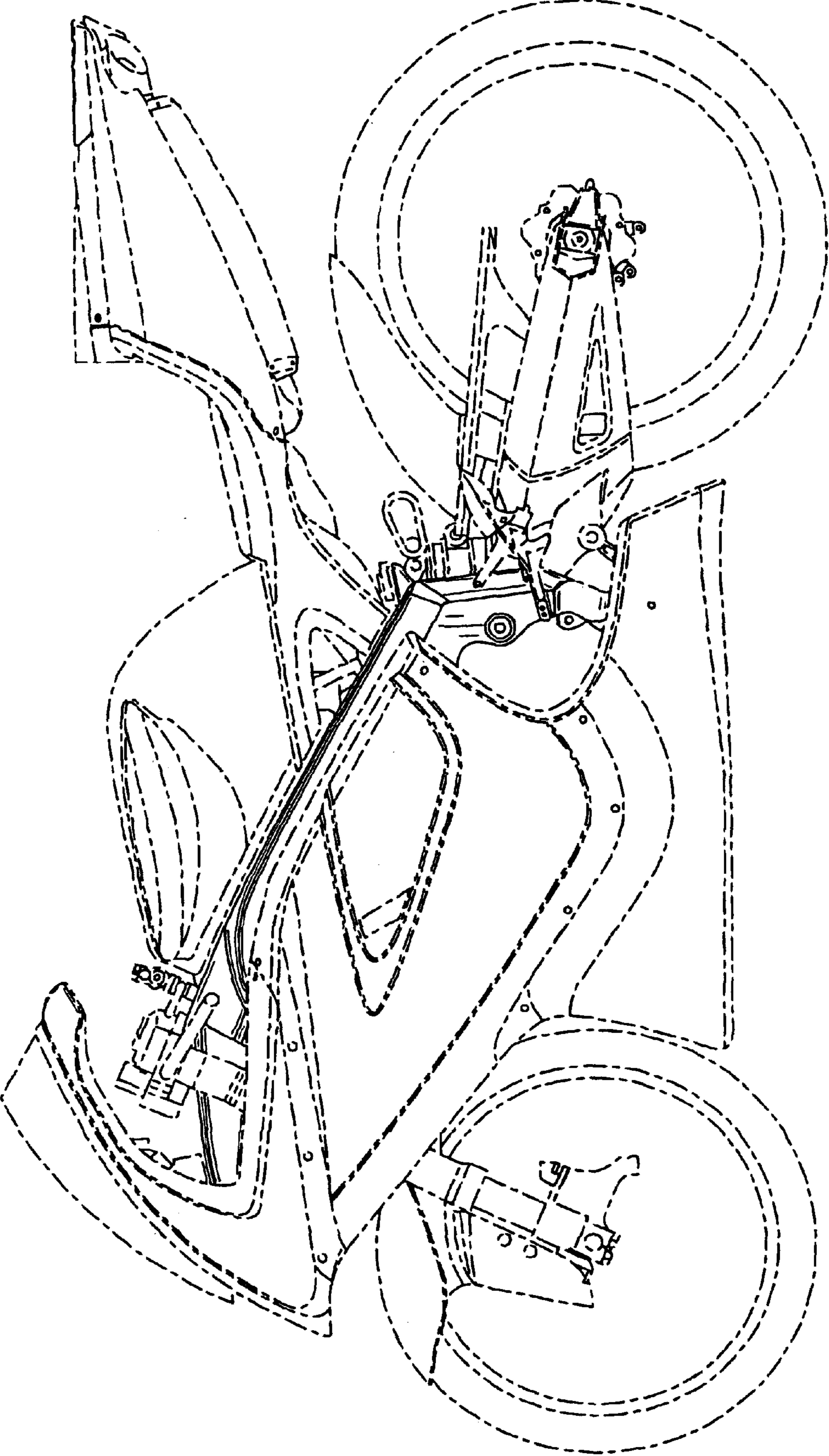


FIG. 9