

US00D496884S1

(12) **United States Design Patent**
Okonkwo

(10) **Patent No.:** **US D496,884 S**

(45) **Date of Patent:** **** Oct. 5, 2004**

(54) **SPORTS WAGON VEHICLE BODY**

(75) **Inventor:** **Chidi Okonkwo**, 670 McGill Pl.,
Atlanta, GA (US) 30312

(73) **Assignee:** **Chidi Okonkwo**, Atlanta, GA (US)

(**) **Term:** **14 Years**

(21) **Appl. No.:** **29/188,233**

(22) **Filed:** **Aug. 15, 2003**

(51) **LOC (7) Cl.** **12-08**

(52) **U.S. Cl.** **D12/92**

(58) **Field of Search** D12/90-92, 86;
D21/424, 433; 296/185

(56) **References Cited**

U.S. PATENT DOCUMENTS

D451,844 S	*	12/2001	Thomas	D12/92
D456,310 S	*	4/2002	Okonkwo	D12/86
D464,915 S	*	10/2002	Okonkwo	D12/92
D469,387 S	*	1/2003	Ramaciotti	D12/92

D470,435 S	*	2/2003	Donckerwolke	D12/92
D478,843 S	*	8/2003	Pardo	D12/92
D484,440 S	*	12/2003	Okonkwo	D12/92
D491,106 S	*	6/2004	Yamada	D12/92

* cited by examiner

Primary Examiner—Melody N. Brown

(57) **CLAIM**

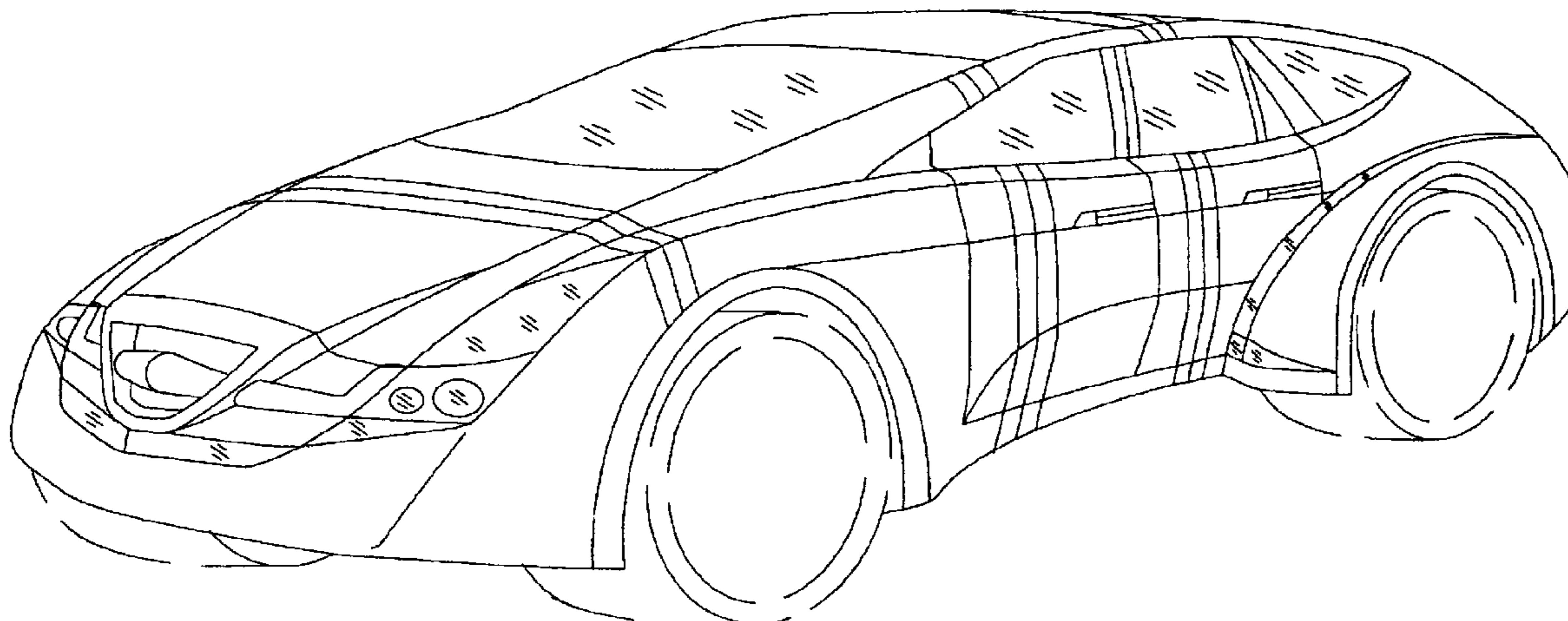
The ornamental design for a sports wagon vehicle body, as shown and described.

DESCRIPTION

FIG. 1 is a front perspective view of the sports wagon vehicle body, showing my new design; FIG. 2 is a rear perspective view thereof; FIG. 3 is a side view thereof; FIG. 4 is a front view thereof; and, FIG. 5 is a rear elevation view thereof.

The wheels shown in broken lines are shown for illustrative purposes only and form no part of the claimed design.

1 Claim, 4 Drawing Sheets



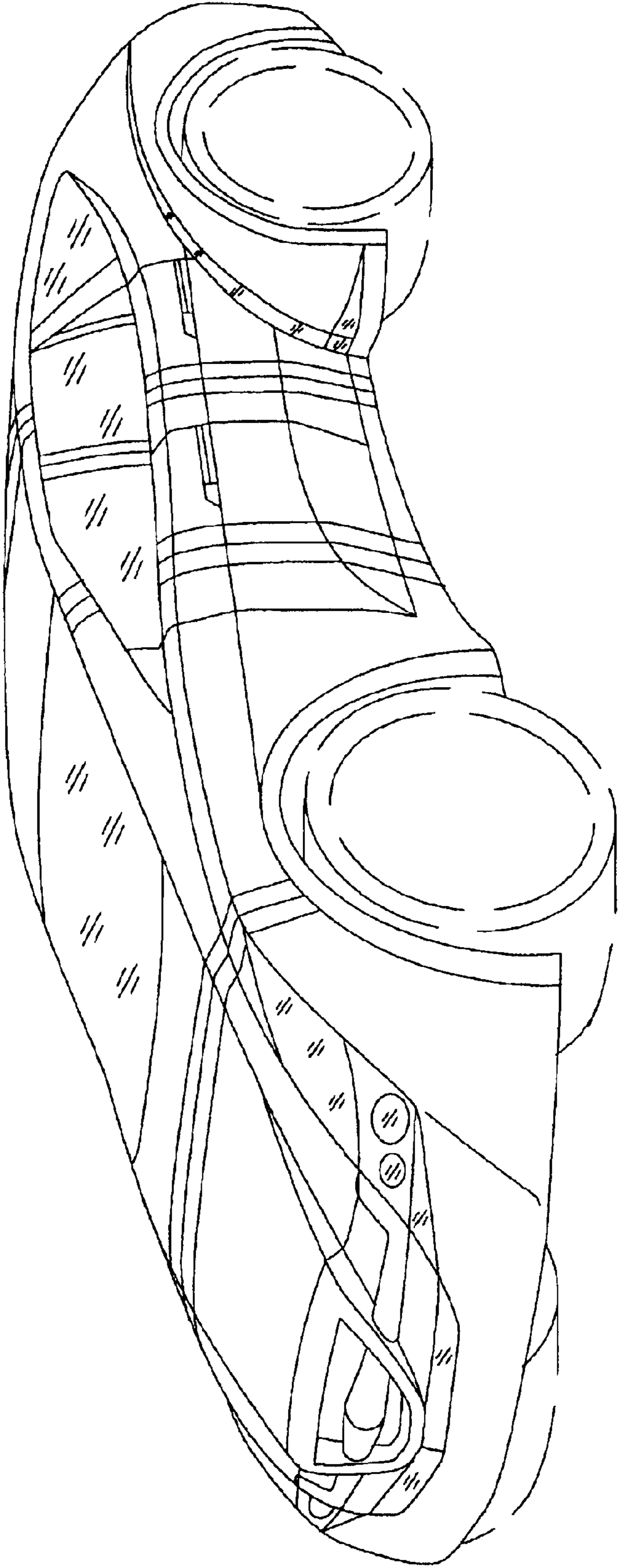


FIG. 1

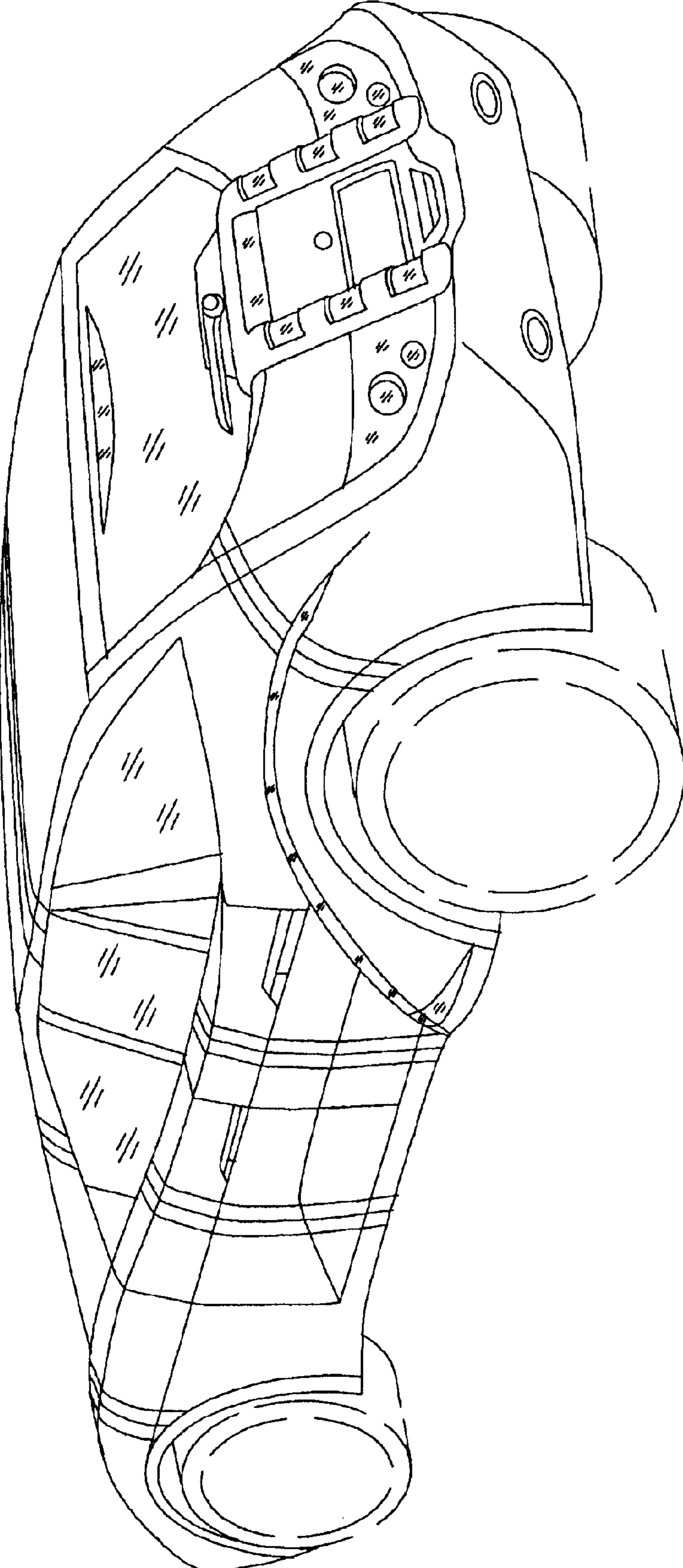


FIG. 2

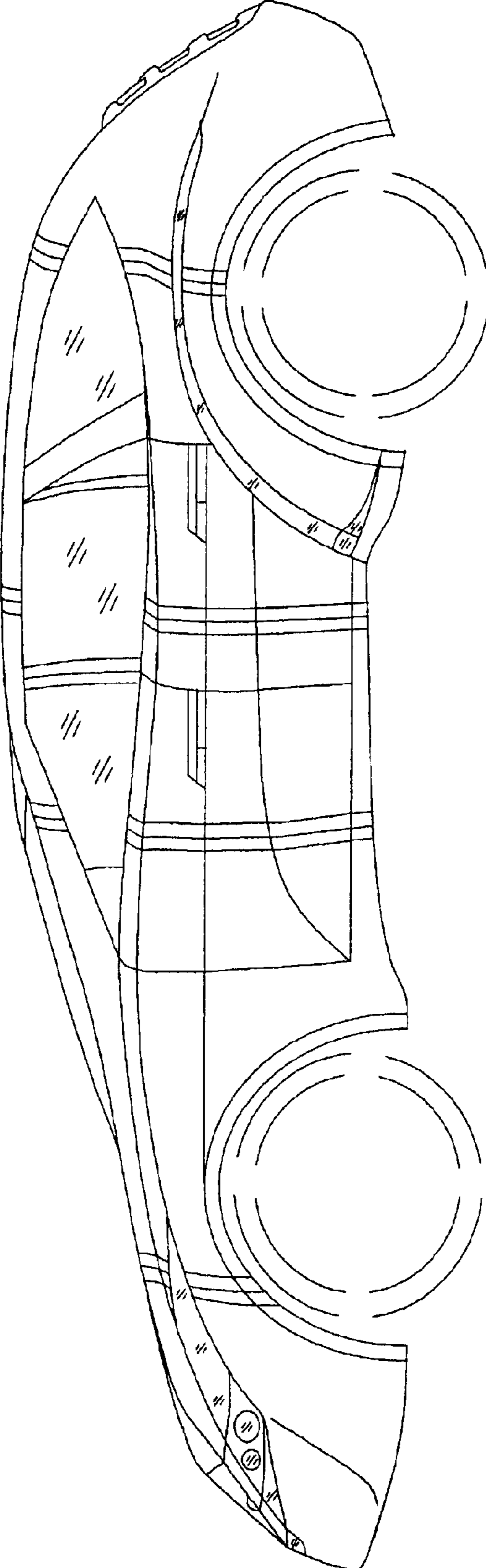


FIG. 3

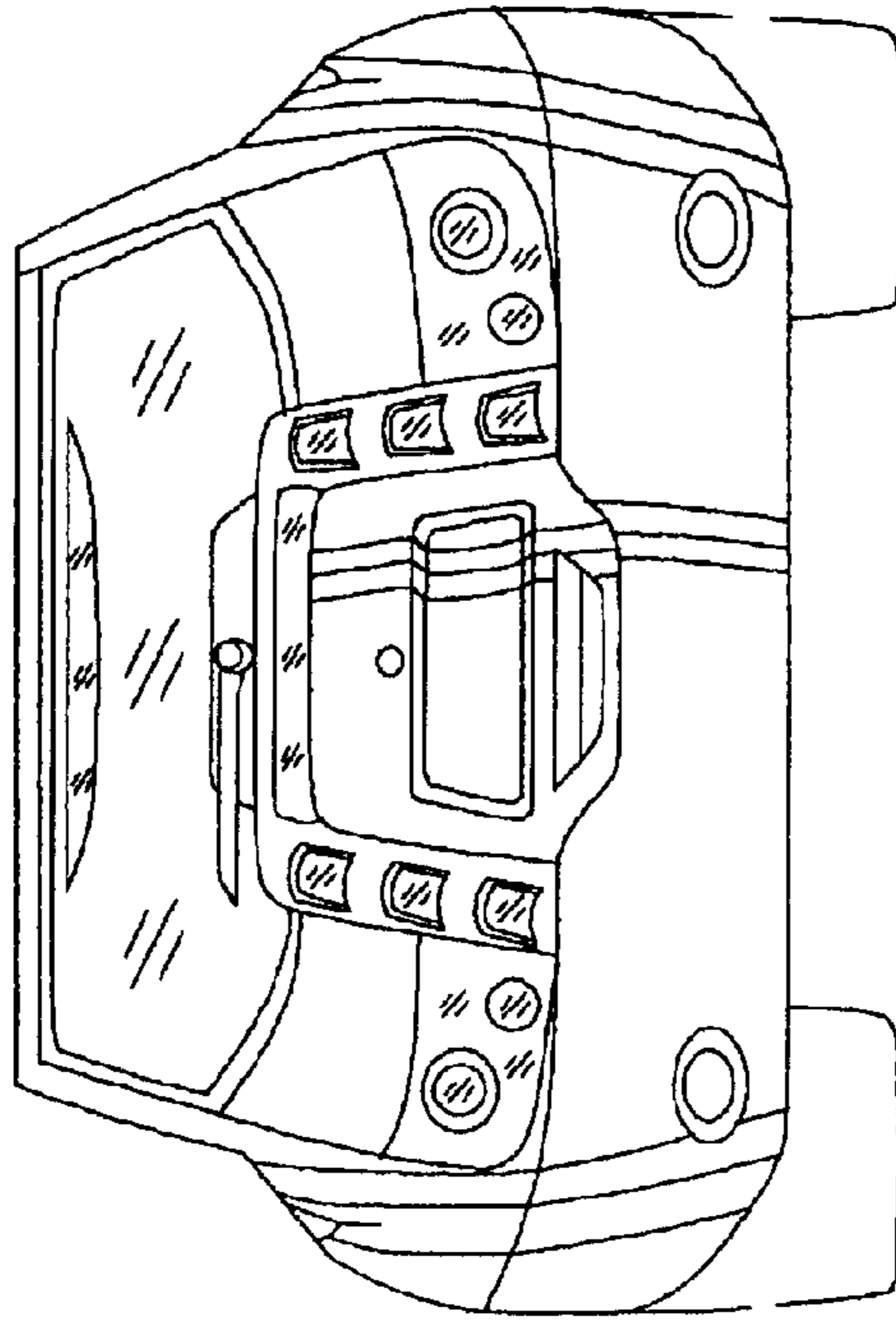


FIG. 5

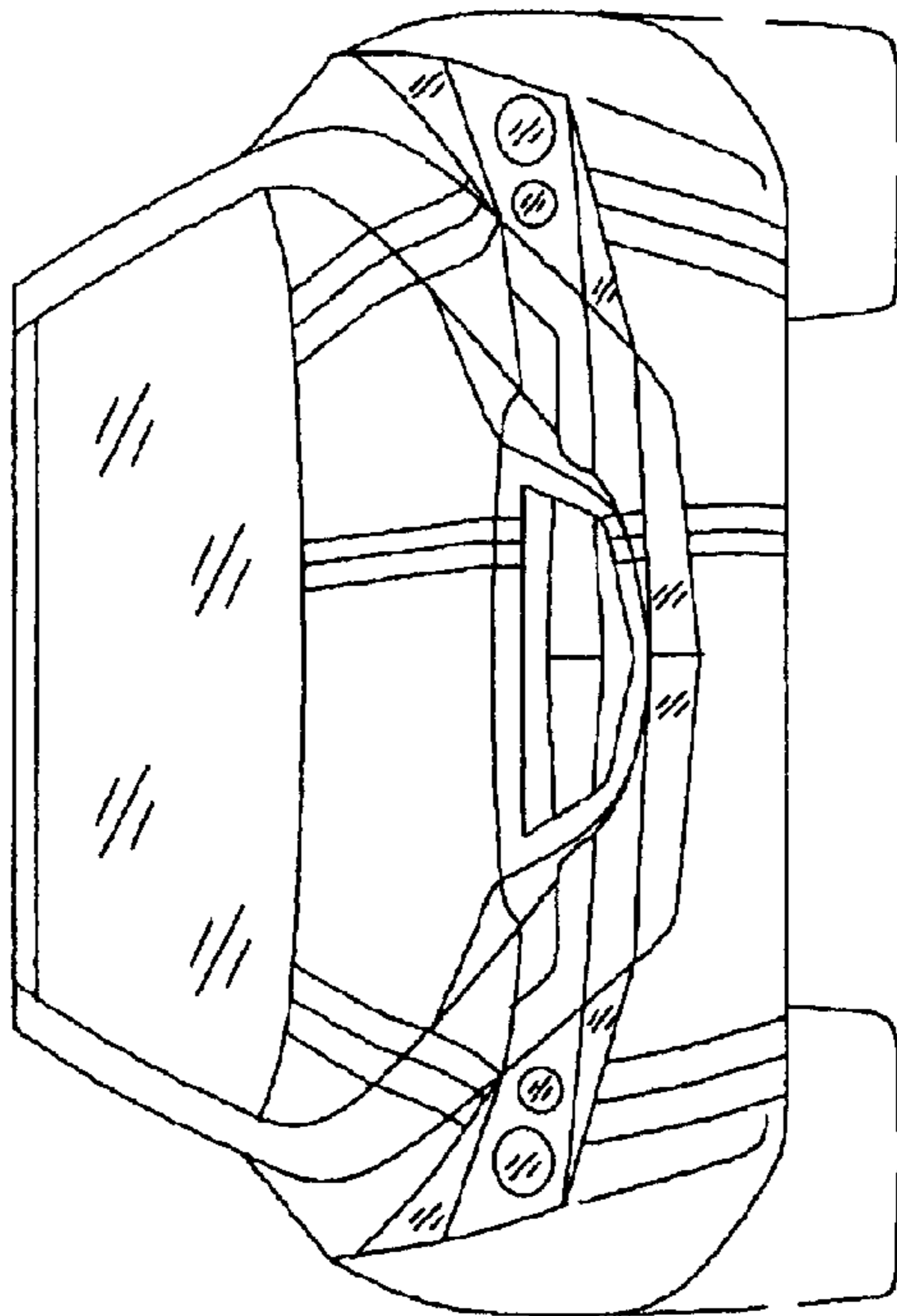


FIG. 4