



US00D496878S1

(12) **United States Design Patent** (10) **Patent No.:** **US D496,878 S**  
**Howard et al.** (45) **Date of Patent:** **\*\* Oct. 5, 2004**

(54) **PENNANT WITH WHIRLIGIG**  
(76) Inventors: **Franklin D. Howard**, 2328 Pinon Rd.,  
Rescue, CA (US) 95672; **Laura L.**  
**Howard**, 2328 Pinon Rd., Rescue, CA  
(US) 95672; **Rodney S. Pina**, 2934  
Stanford La., El Dorado Hills, CA (US)  
95762

(\*\*) Term: **14 Years**

(21) Appl. No.: **29/190,392**

(22) Filed: **Sep. 19, 2003**

(51) **LOC (7) Cl.** ..... **11-05**

(52) **U.S. Cl.** ..... **D11/166**

(58) **Field of Search** ..... D11/165, 166,  
D11/167, 168, 169, 170, 171, 172, 173,  
174, 175, 176, 177, 178, 179, 180, 181,  
182, 183; D12/223; 40/218; 116/173, 174,  
175; 248/511, 512, 513, 514, 519, 534,  
535, 536, 538, 539, 540, 541

(56) **References Cited**

**U.S. PATENT DOCUMENTS**

588,060 A \* 8/1897 Fruit ..... 416/143  
2,688,303 A \* 9/1954 Leander ..... 116/173  
2,693,044 A \* 11/1954 Roemisch ..... 40/479  
2,781,017 A \* 2/1957 Fuller ..... 116/63 R  
3,476,929 A \* 11/1969 Klinger ..... 362/307  
4,650,147 A \* 3/1987 Griffin ..... 248/539  
D295,730 S \* 5/1988 Blackburn ..... D12/223

D313,214 S \* 12/1990 Phillips et al. .... D12/223  
4,976,410 A \* 12/1990 Tomaiuolo ..... 248/514  
5,377,611 A \* 1/1995 Crookham et al. .... 116/173  
D363,249 S \* 10/1995 Castillo ..... D10/109  
6,010,107 A \* 1/2000 Goldfarb ..... 248/512  
D420,308 S \* 2/2000 Turok ..... D11/166  
D469,720 S \* 2/2003 Mastrianni ..... D11/165  
6,637,365 B1 \* 10/2003 Adamski ..... 116/28 R  
2003/0019998 A1 \* 1/2003 Kou ..... 248/534

\* cited by examiner

*Primary Examiner*—James Gandy

*Assistant Examiner*—Elizabeth Albert

(74) *Attorney, Agent, or Firm*—Catherine Ashley Straight

(57) **CLAIM**

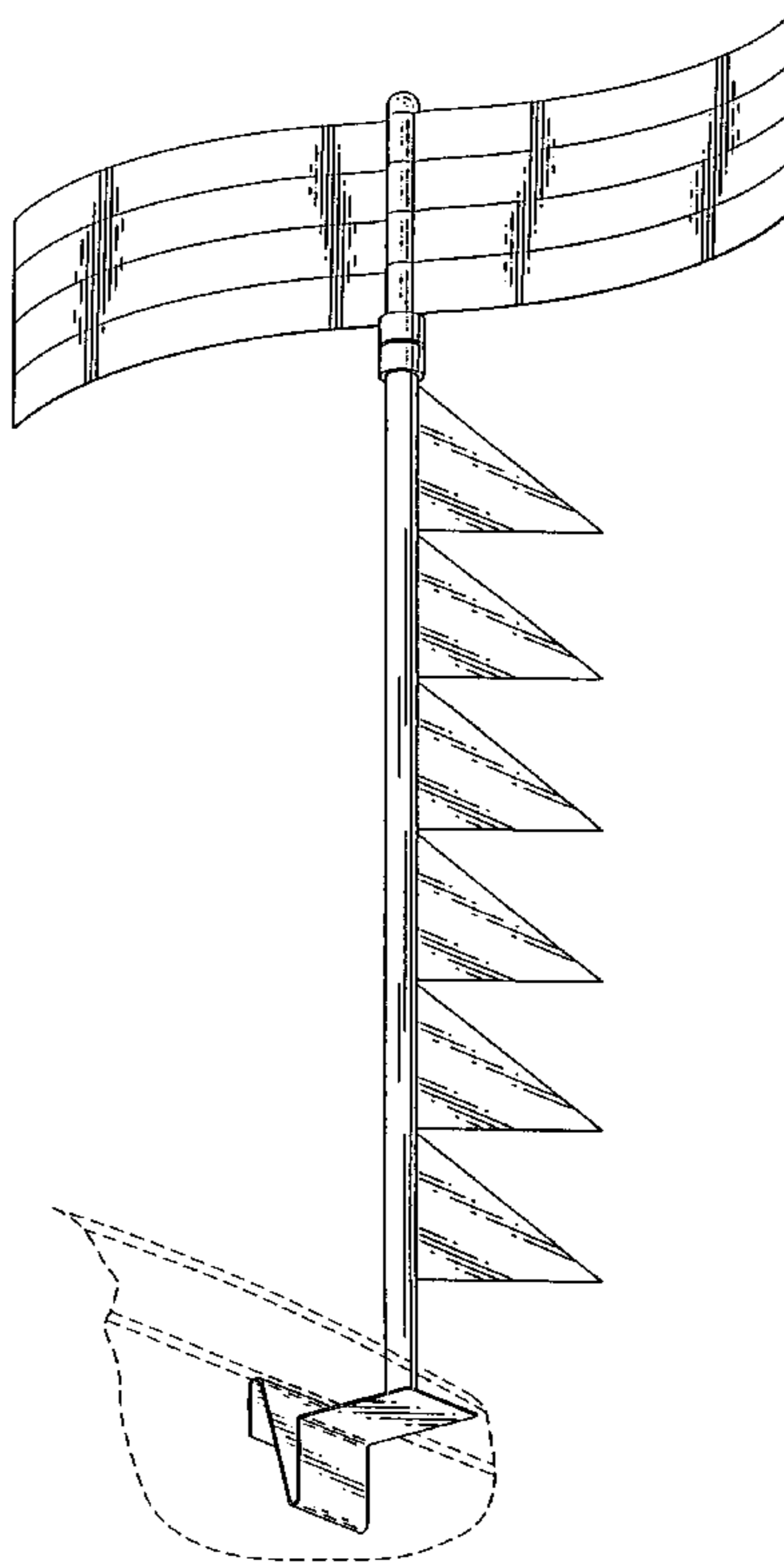
The ornamental design for a pennant with whirligig, as shown and described.

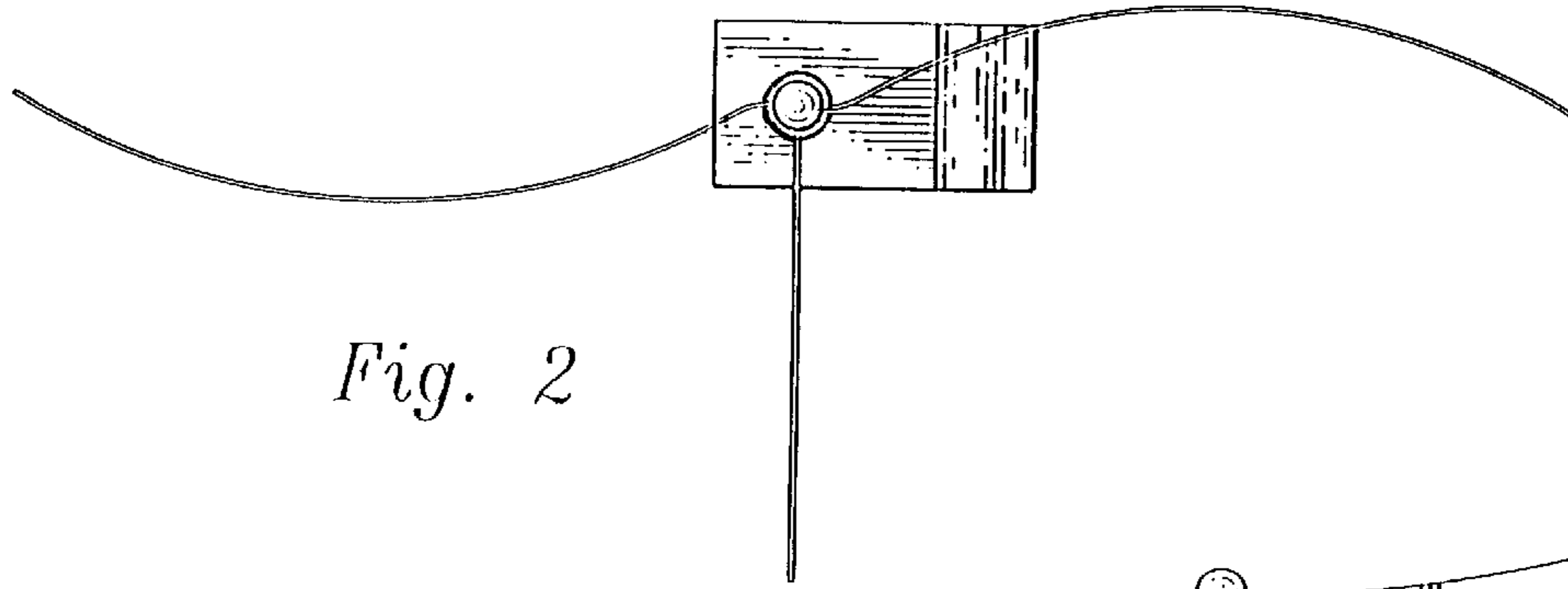
**DESCRIPTION**

FIG. 1 is a perspective view of a pennant with whirligig, showing our new design;  
FIG. 2 is a top plan view, thereof;  
FIG. 3 is a front elevational view, thereof;  
FIG. 4 is a right side view, thereof;  
FIG. 5 is a left side view, thereof;  
FIG. 6 is a rear elevational view, thereof; and,  
FIG. 7 is a bottom plan view, thereof.

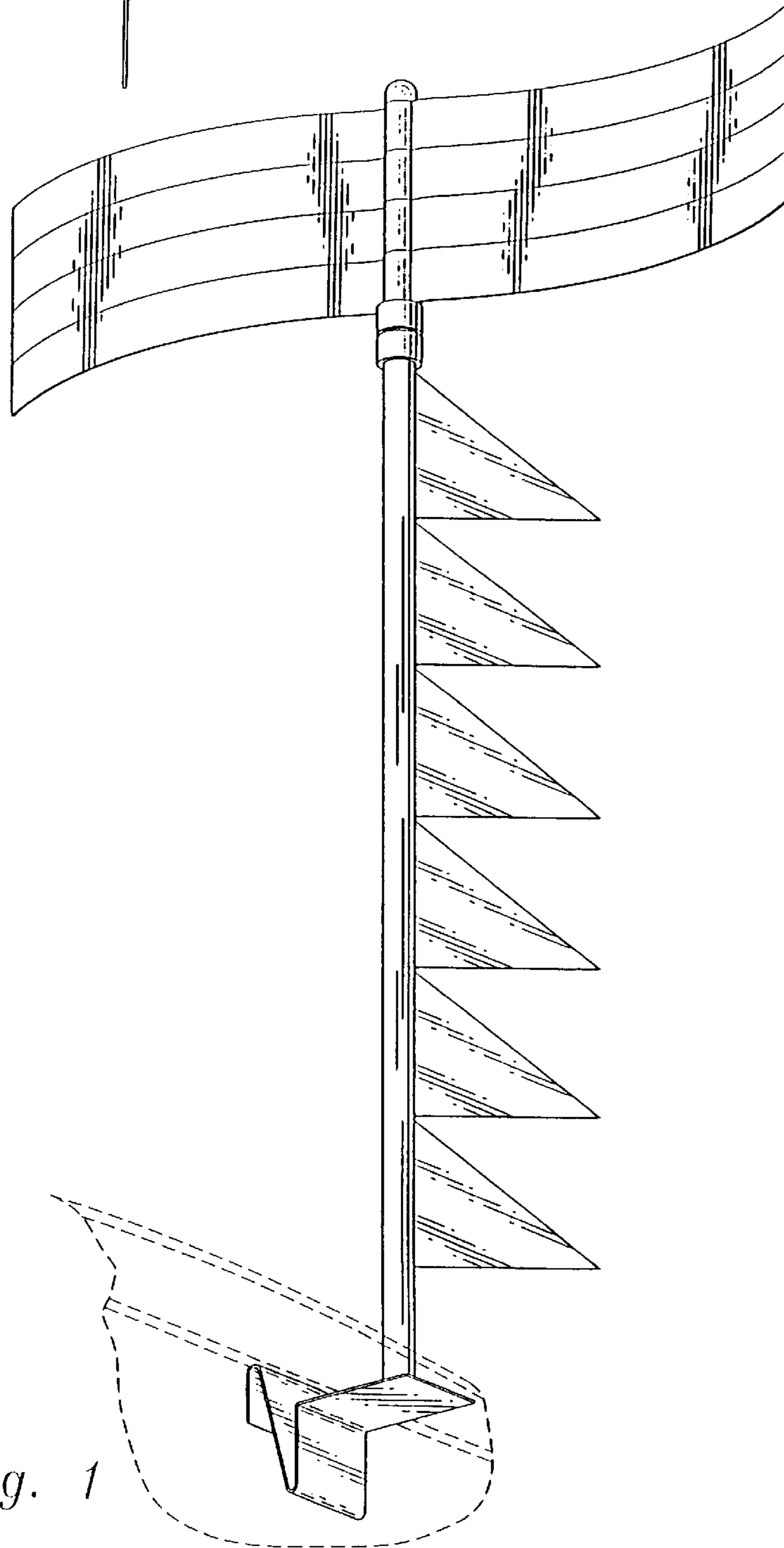
The broken lines showing environment in the drawings are for illustrative purposes only and form no part of the claimed design.

**1 Claim, 3 Drawing Sheets**

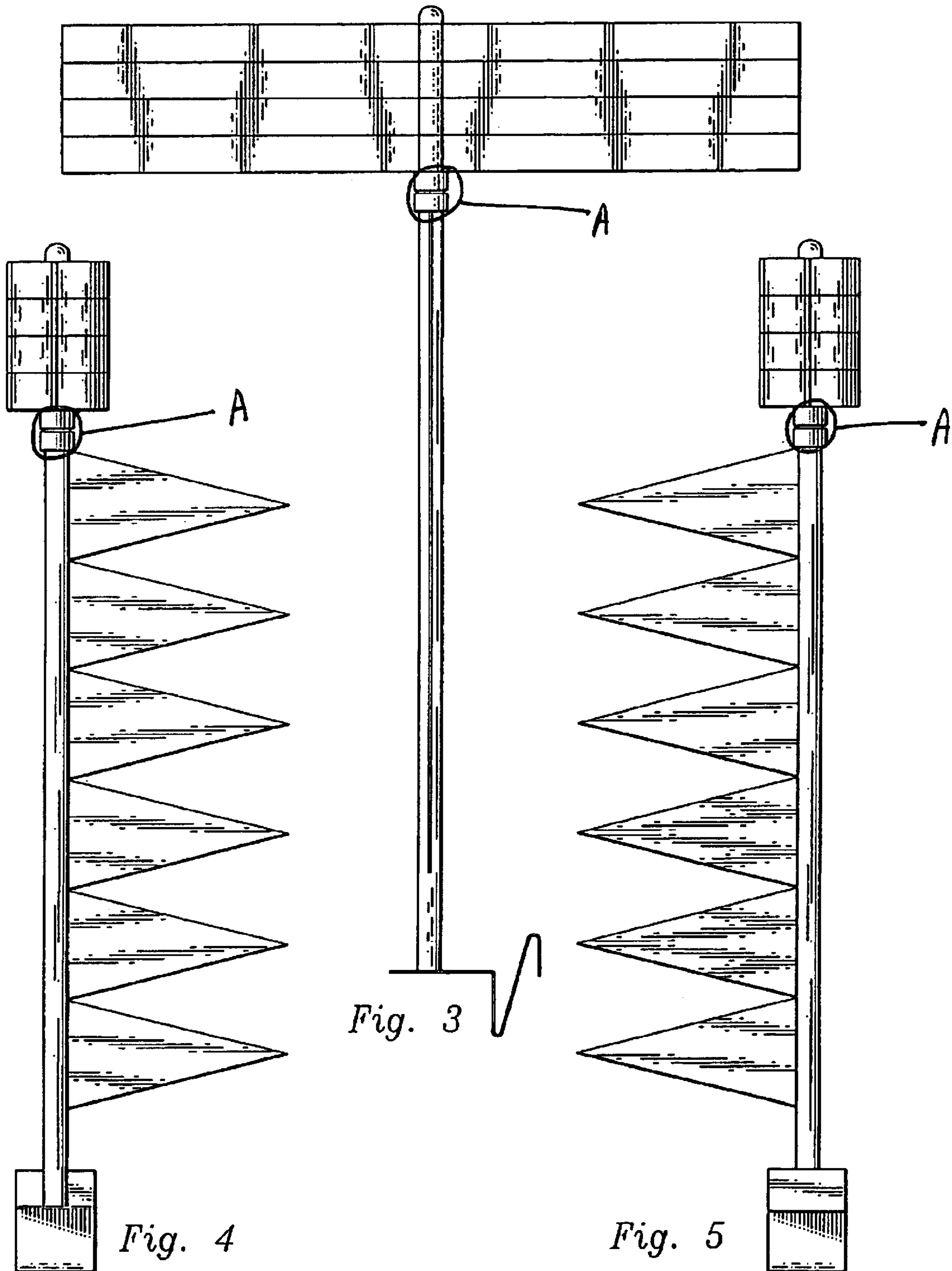


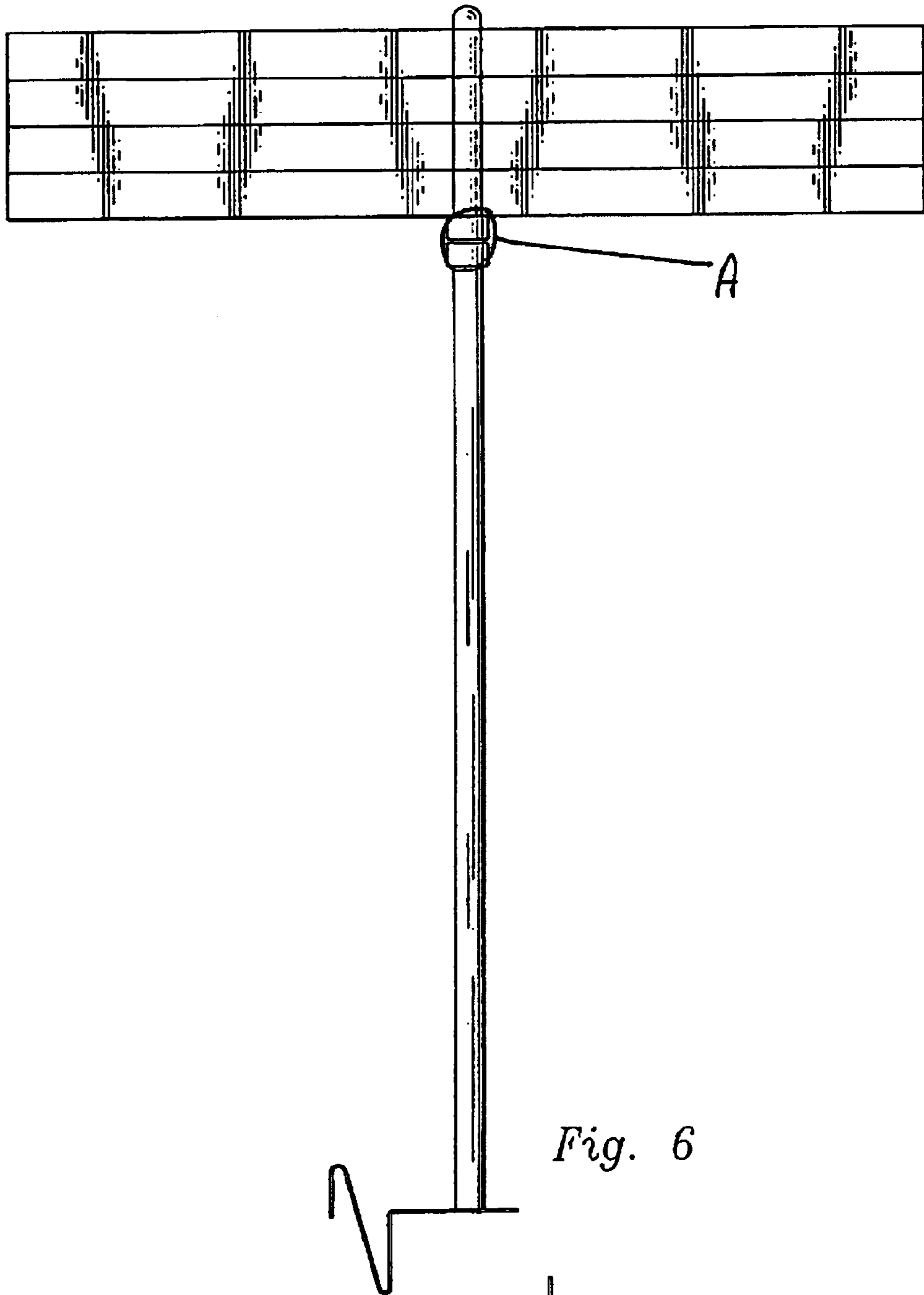


*Fig. 2*

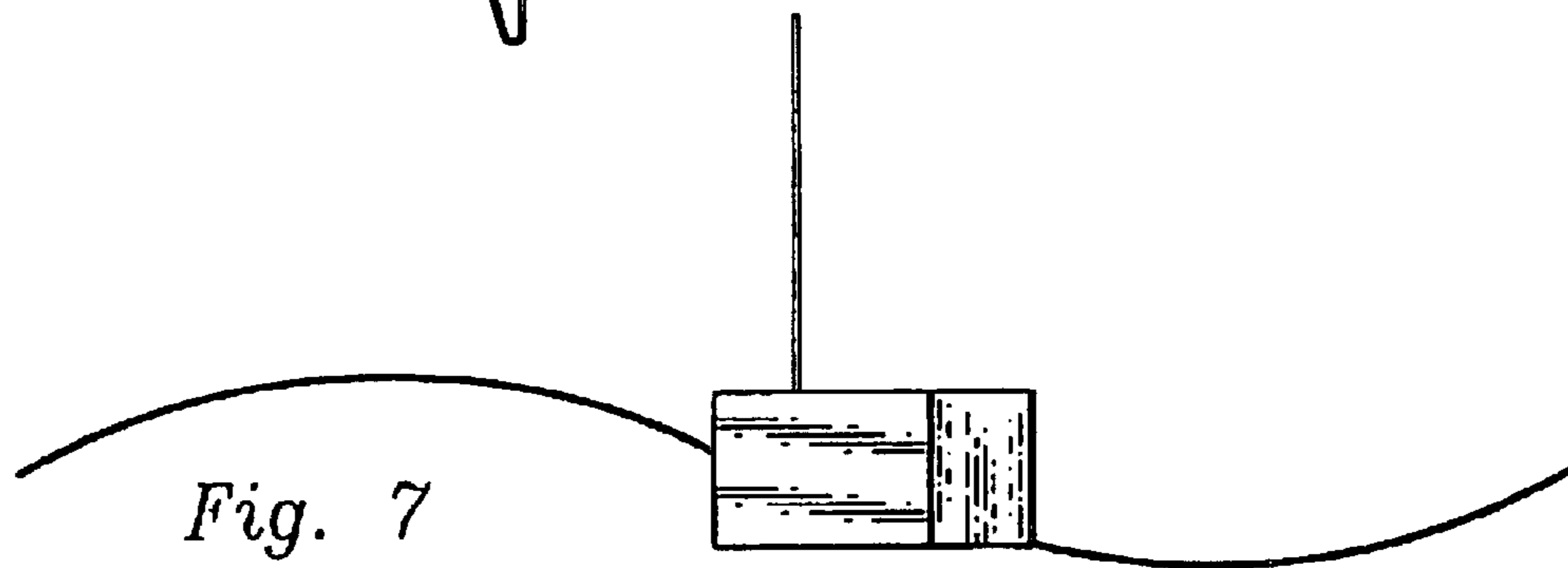


*Fig. 1*





*Fig. 6*



*Fig. 7*

UNITED STATES PATENT AND TRADEMARK OFFICE  
**CERTIFICATE OF CORRECTION**

PATENT NO. : Des. 496,878 S  
DATED : October 5, 2004  
INVENTOR(S) : Franklin D. Howard, Laura L. Howard and Rodney S. Pina

Page 1 of 3

It is certified that error appears in the above-identified patent and that said Letters Patent is hereby corrected as shown below:

Drawings,

Sheet 2, Figures 3, 4 and 5, and Sheet 3, Figures 6 and 7, have been replaced with the attached Sheet 2 and Sheet 3.

Signed and Sealed this

Eighteenth Day of January, 2005

A handwritten signature in black ink on a light gray dotted background. The signature reads "Jon W. Dudas" in a cursive, stylized script.

JON W. DUDAS

*Director of the United States Patent and Trademark Office*

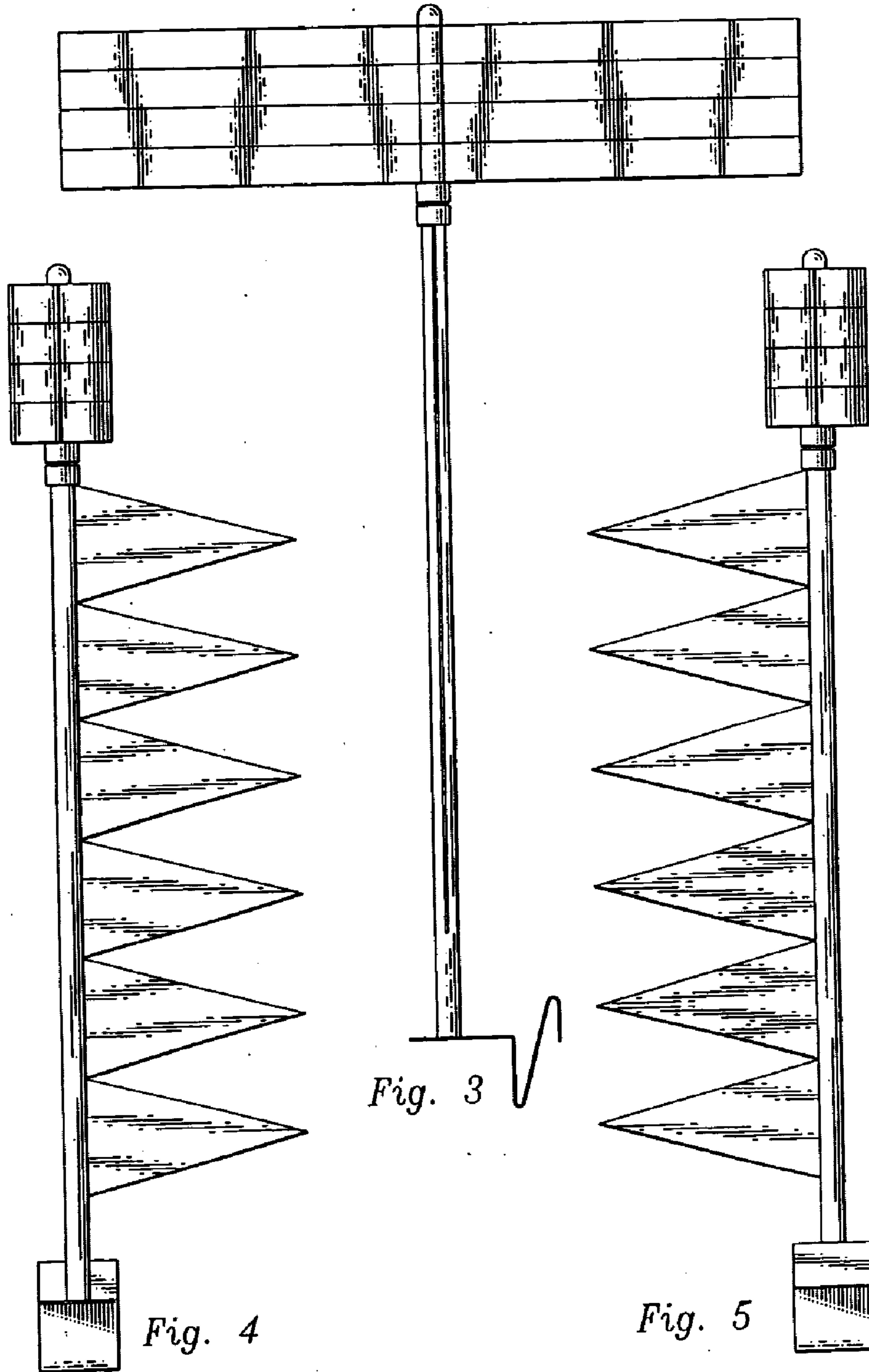


Fig. 3

Fig. 4

Fig. 5

