

US00D496872S1

(12) **United States Design Patent**  
**Edmond**

(10) **Patent No.:** **US D496,872 S**  
(45) **Date of Patent:** **\*\* Oct. 5, 2004**

(54) **ELECTRICAL CURRENT SENSOR**

6,005,383 A \* 12/1999 Savary et al. .... 324/117 H  
D420,297 S \* 2/2000 Cattaneo ..... D10/78  
D489,278 S \* 5/2004 Rittmann ..... D10/78

(75) **Inventor:** **Jean-Pierre Edmond, Annemasse (FR)**

(73) **Assignee:** **Liaisons Electroniques-Mecaniques  
LEM S.A., Geneva (CH)**

\* cited by examiner

(\*\*) **Term:** **14 Years**

*Primary Examiner*—Antoine D. Davis  
(74) *Attorney, Agent, or Firm*—Clifford W. Browning;  
Woodard, Emhardt, Moriarty McNett & Henry LLP

(21) **Appl. No.:** **29/188,683**

(22) **Filed:** **Aug. 21, 2003**

(30) **Foreign Application Priority Data**

Feb. 21, 2003 (CH) ..... 129368

(51) **LOC (7) Cl.** ..... **10-04**

(52) **U.S. Cl.** ..... **D10/78; D10/78**

(58) **Field of Search** ..... **D10/75, 78; 324/110,  
324/107, 115, 117, 142, 157, 127; 336/175,  
178, 216**

(56) **References Cited**

**U.S. PATENT DOCUMENTS**

D401,171 S \* 11/1998 Cattaneo ..... D10/78

(57) **CLAIM**

The ornamental design for a electrical current sensor, as shown and described.

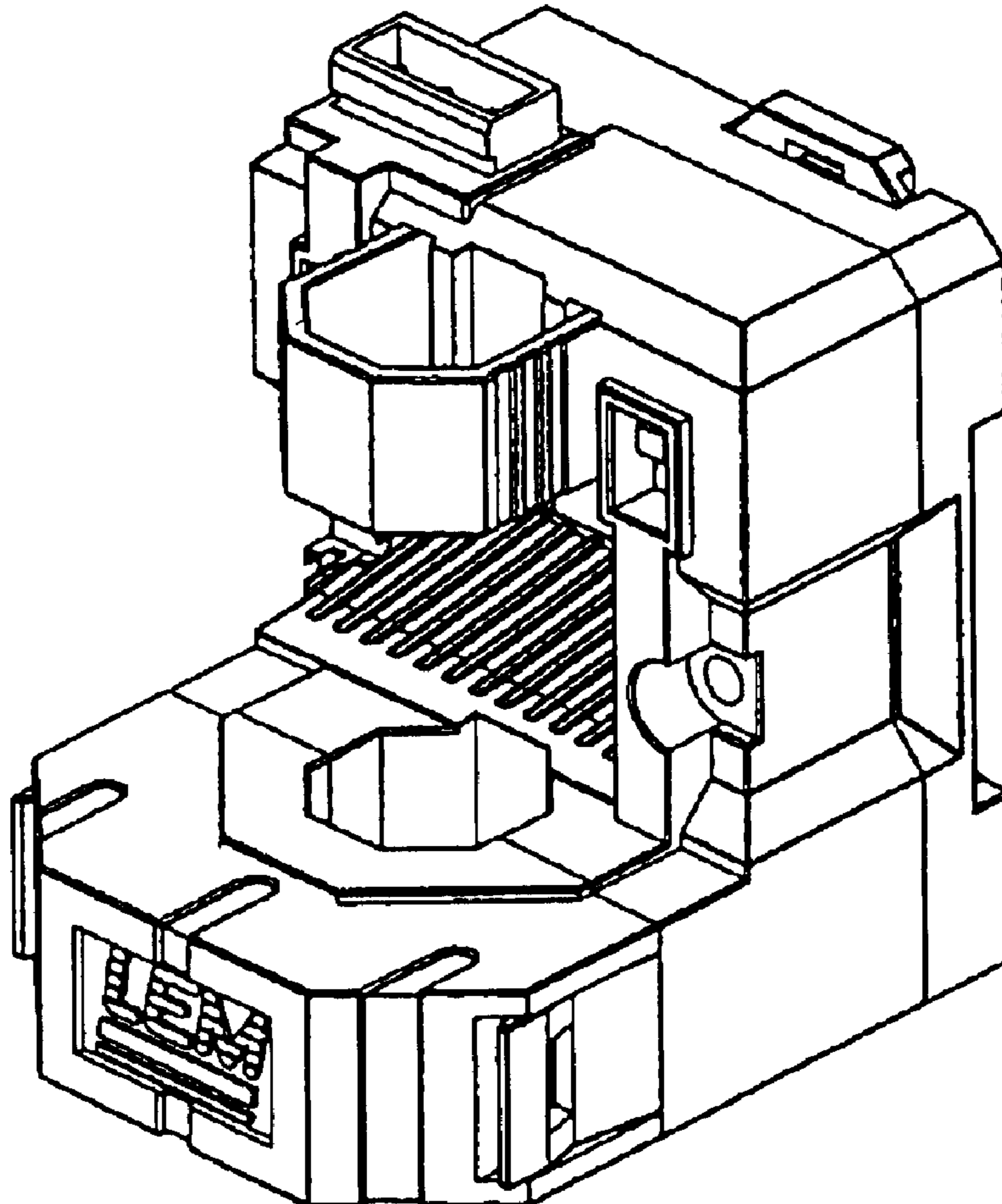
**DESCRIPTION**

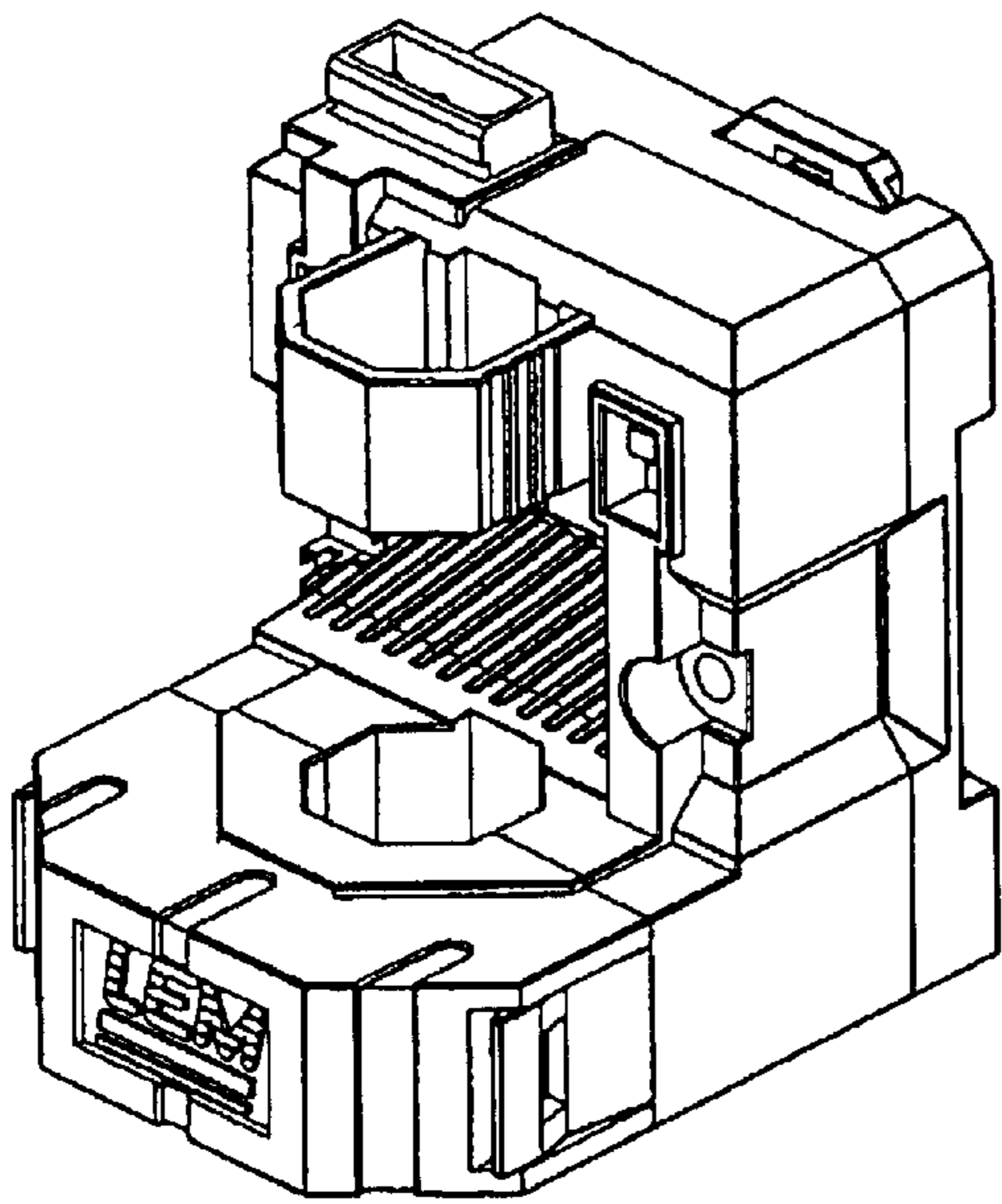
FIG. 1 is a front perspective view of a electrical current sensor, showing my new design.

FIG. 2 is a rear perspective view of FIG. 1; and,

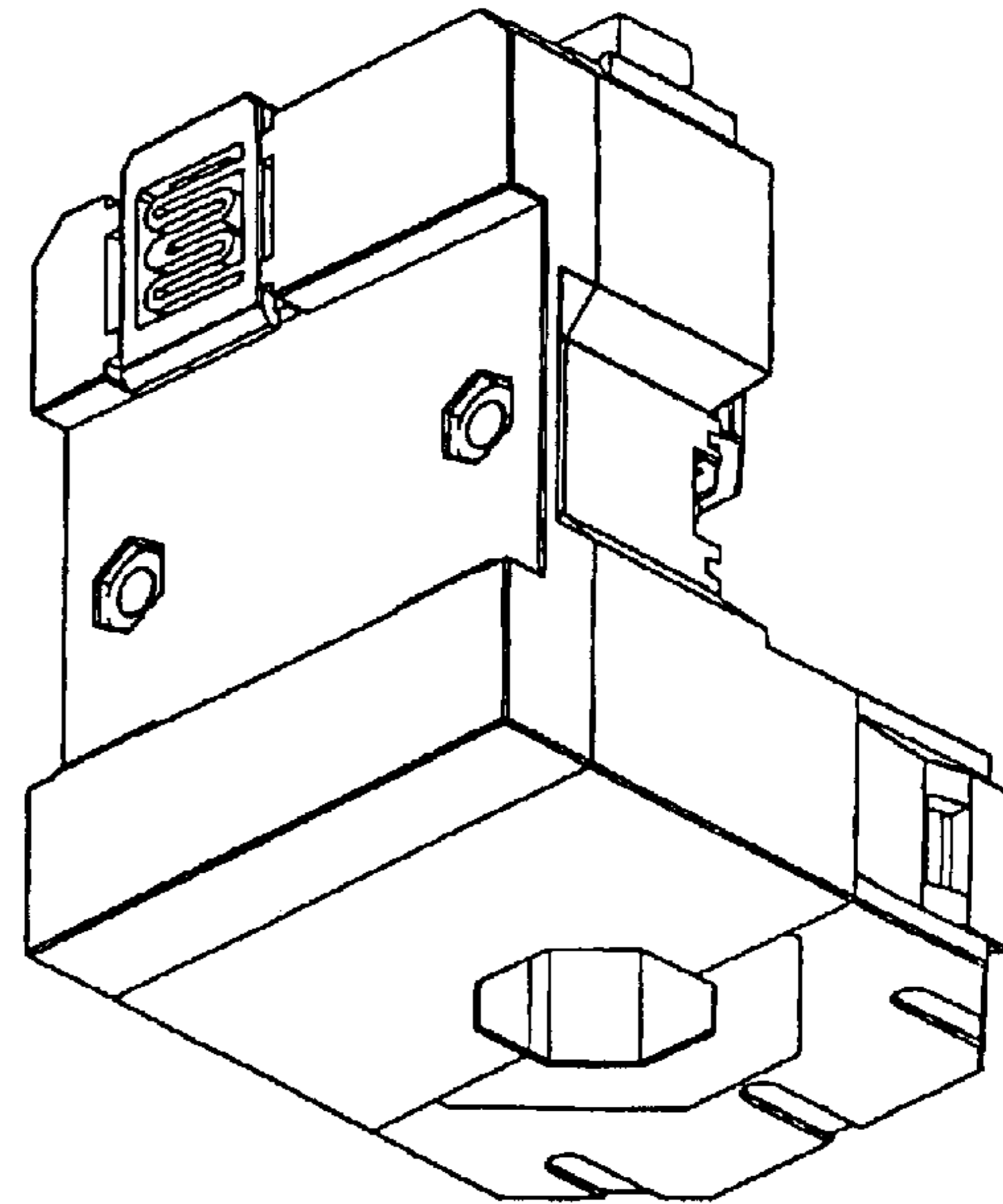
FIG. 3 is the front perspective view of FIG. 1, showing removable parts of the electrical current sensor.

**1 Claim, 1 Drawing Sheet**

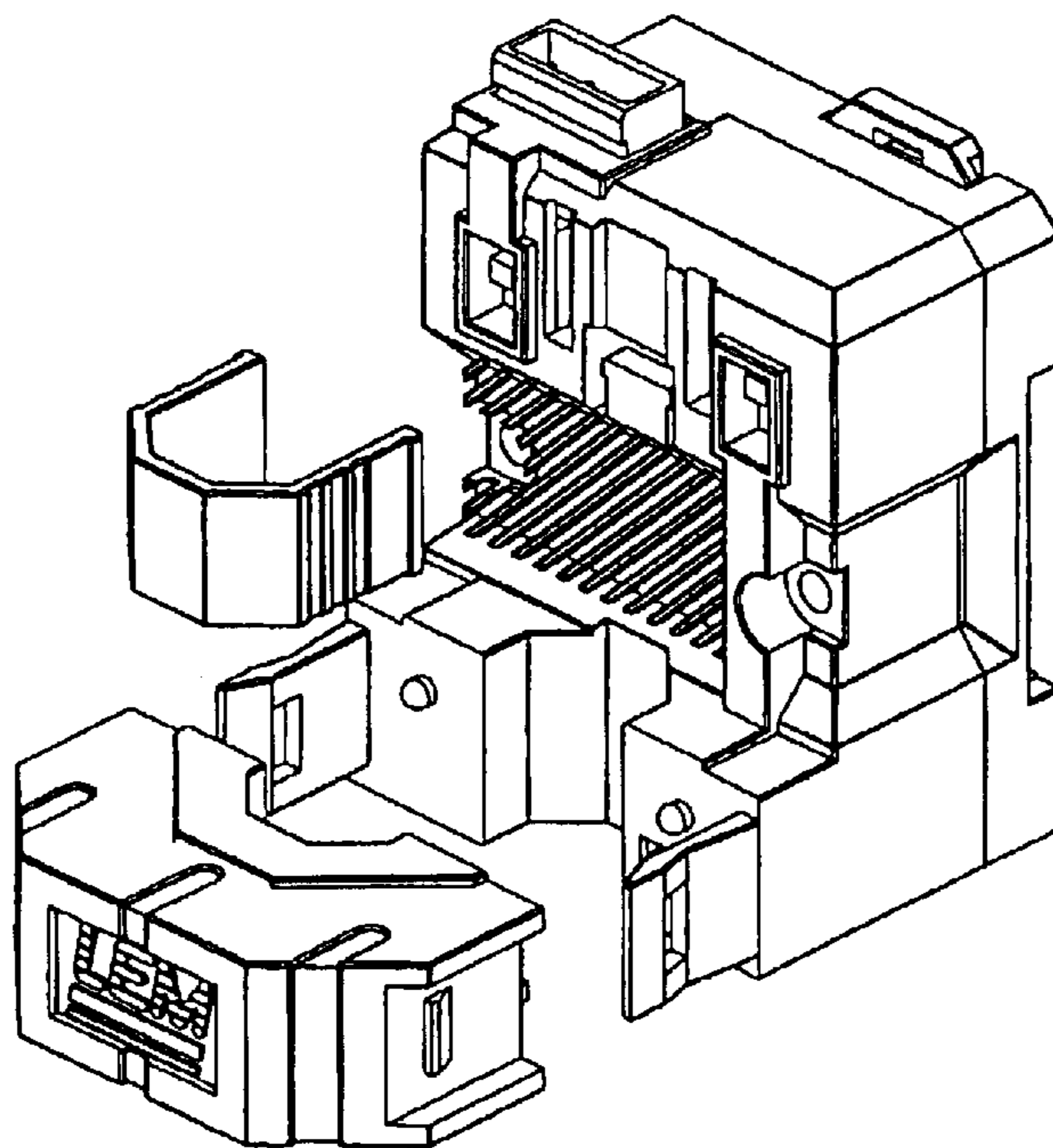




**Fig. 1**



**Fig. 2**



**Fig 3**