

US00D496868S1

(12) **United States Design Patent**  
**Yamamoto**

(10) **Patent No.:** **US D496,868 S**

(45) **Date of Patent:** **\*\* Oct. 5, 2004**

(54) **WATCH CASE**

(75) **Inventor:** **Yasushi Yamamoto, Fussa (JP)**

(73) **Assignee:** **Casio Keisanki Kabushiki Kaisha,  
Tokyo (JP)**

(\*\*) **Term:** **14 Years**

(21) **Appl. No.:** **29/200,607**

(22) **Filed:** **Mar. 1, 2004**

(51) **LOC (7) Cl.** ..... **10-02**

(52) **U.S. Cl.** ..... **D10/30**

(58) **Field of Search** ..... D10/1-40, 122-132;  
368/28-30, 41-44, 82-84, 239-242, 276-277,  
280-282, 285

(56) **References Cited**

**U.S. PATENT DOCUMENTS**

D394,403 S	*	5/1998	Hanagata	.....	D10/38
D395,404 S	*	6/1998	Hanagata	.....	D10/31
D403,246 S	*	12/1998	Hanagata	.....	D10/30
D403,252 S	*	12/1998	Hanagata	.....	D10/38
D427,080 S	*	6/2000	Hanagata	.....	D10/30
D427,917 S	*	7/2000	Hanagata	.....	D10/30
D443,211 S	*	6/2001	Hanagata	.....	D10/30

D451,820 S	*	12/2001	Sugisawa	.....	D10/30
D451,825 S	*	12/2001	Hanagata	.....	D10/30
D459,237 S	*	6/2002	Hasegawa	.....	D10/30
D462,622 S	*	9/2002	Sugisawa	.....	D10/30
D462,623 S	*	9/2002	Fujihara	.....	D10/30
D486,402 S	*	2/2004	Shoubayashi	.....	D10/30

\* cited by examiner

*Primary Examiner*—Nelson C. Holtje

(74) *Attorney, Agent, or Firm*—Frishauf, Holtz, Goodman & Chick, P.C.

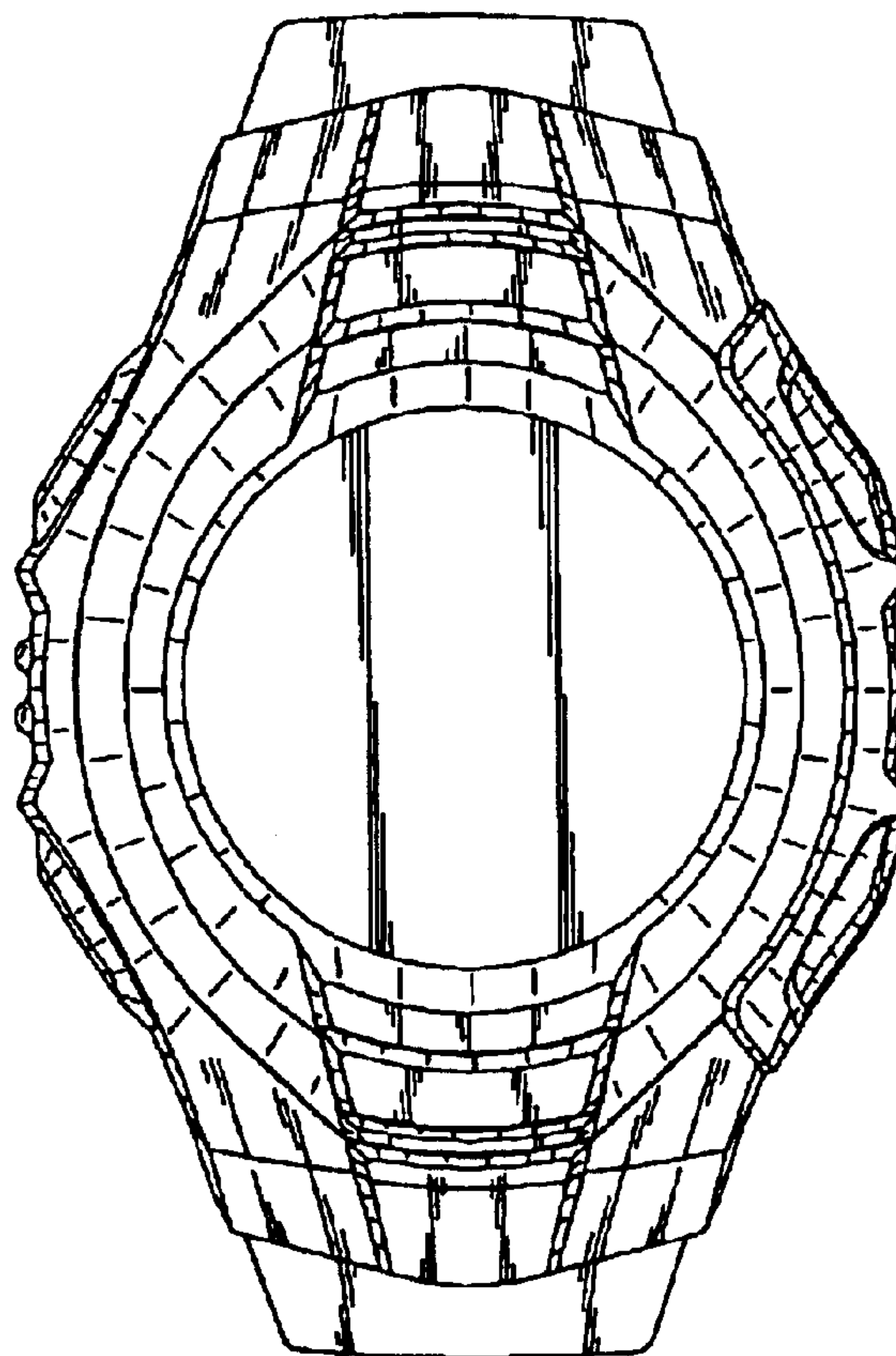
(57) **CLAIM**

The ornamental design for a watch case, as shown and described.

**DESCRIPTION**

FIG. 1 is a reduced scale front, left, bottom side perspective view of a watch case showing my new design; FIG. 2 is a front elevational view thereof; FIG. 3 is a rear elevational view thereof; FIG. 4 is a left side view thereof; FIG. 5 is a right side view thereof; FIG. 6 is a top plan view thereof; and, FIG. 7 is a bottom plan view thereof.

**1 Claim, 6 Drawing Sheets**



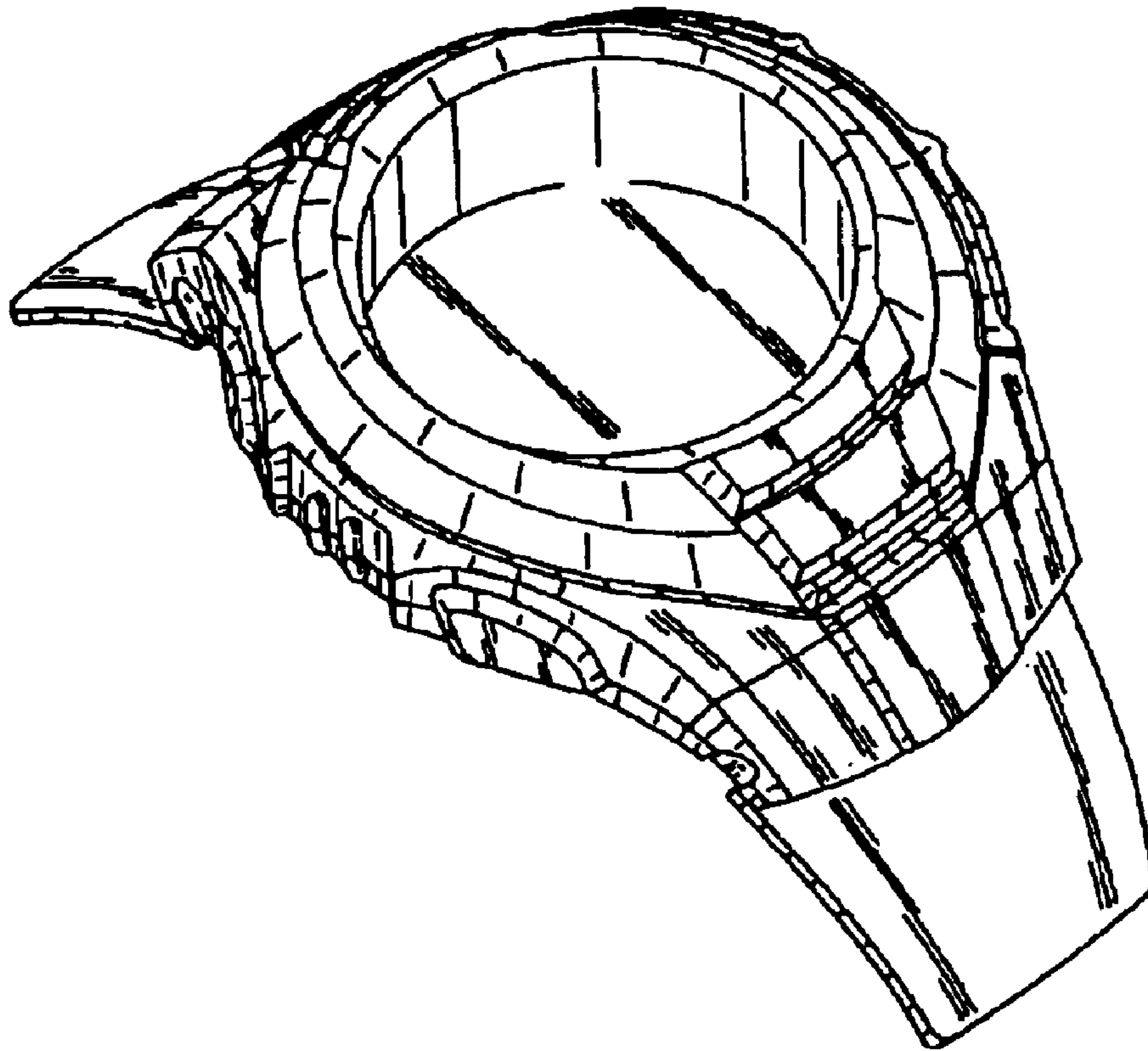


FIG. 1

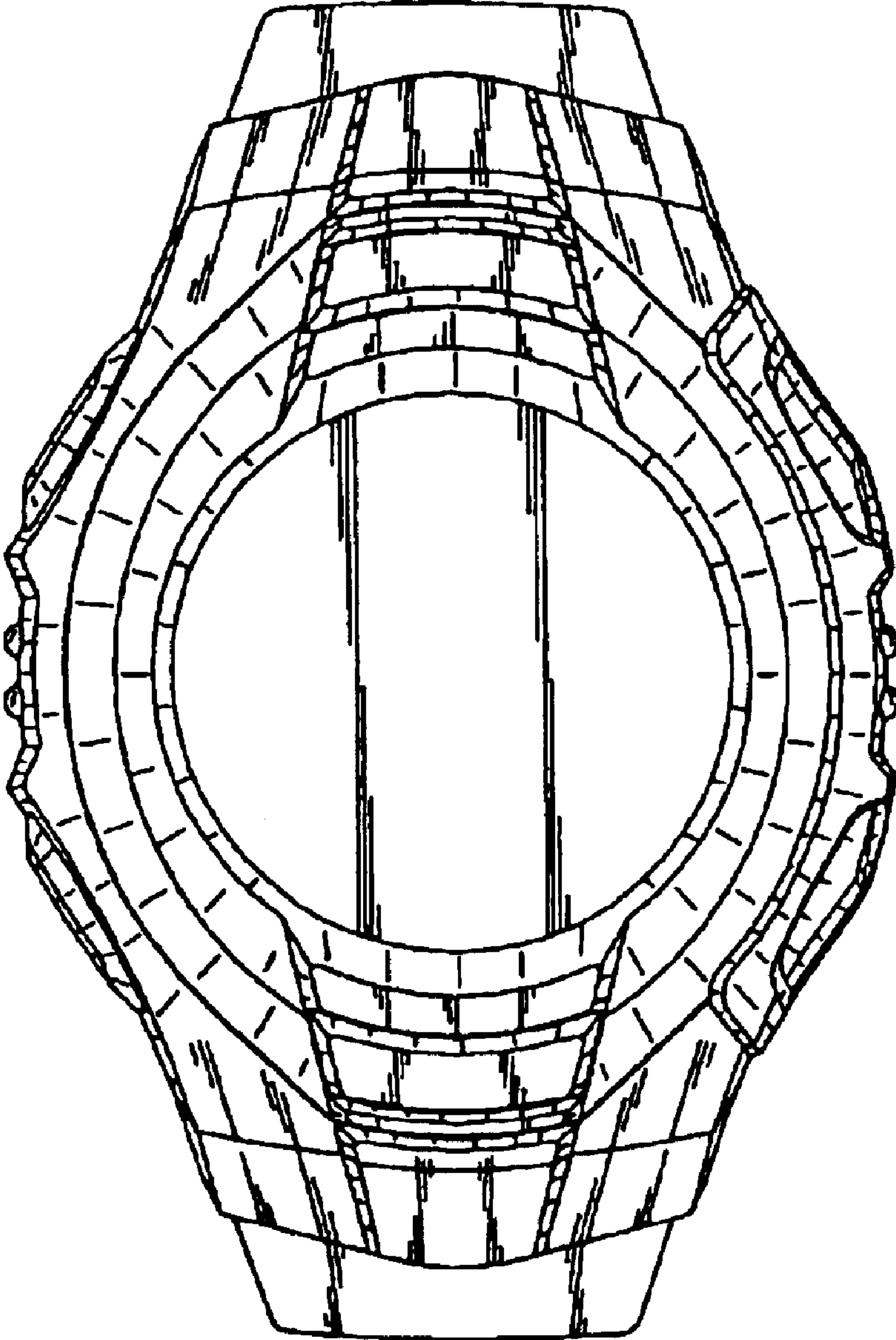


FIG. 2

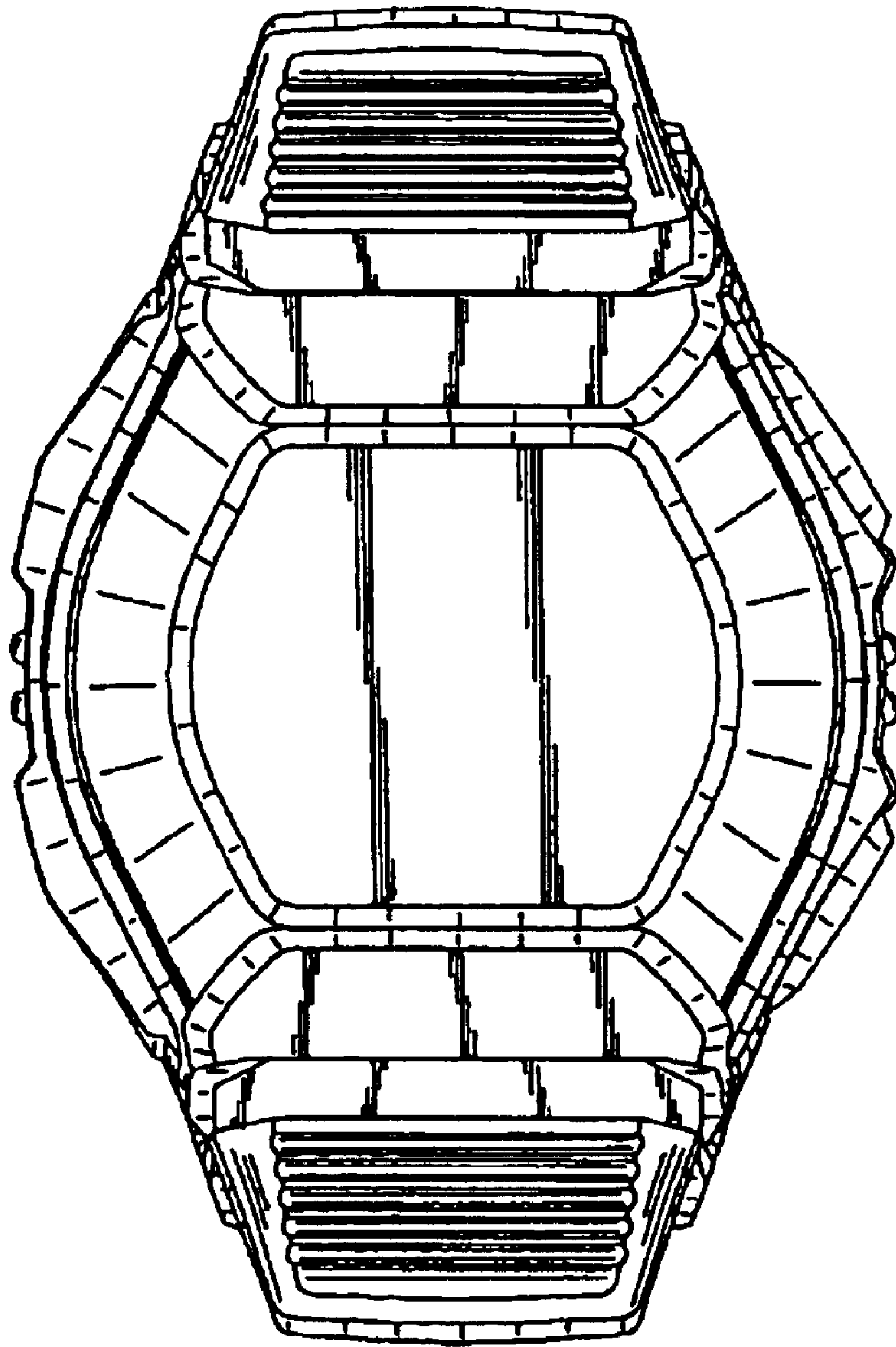
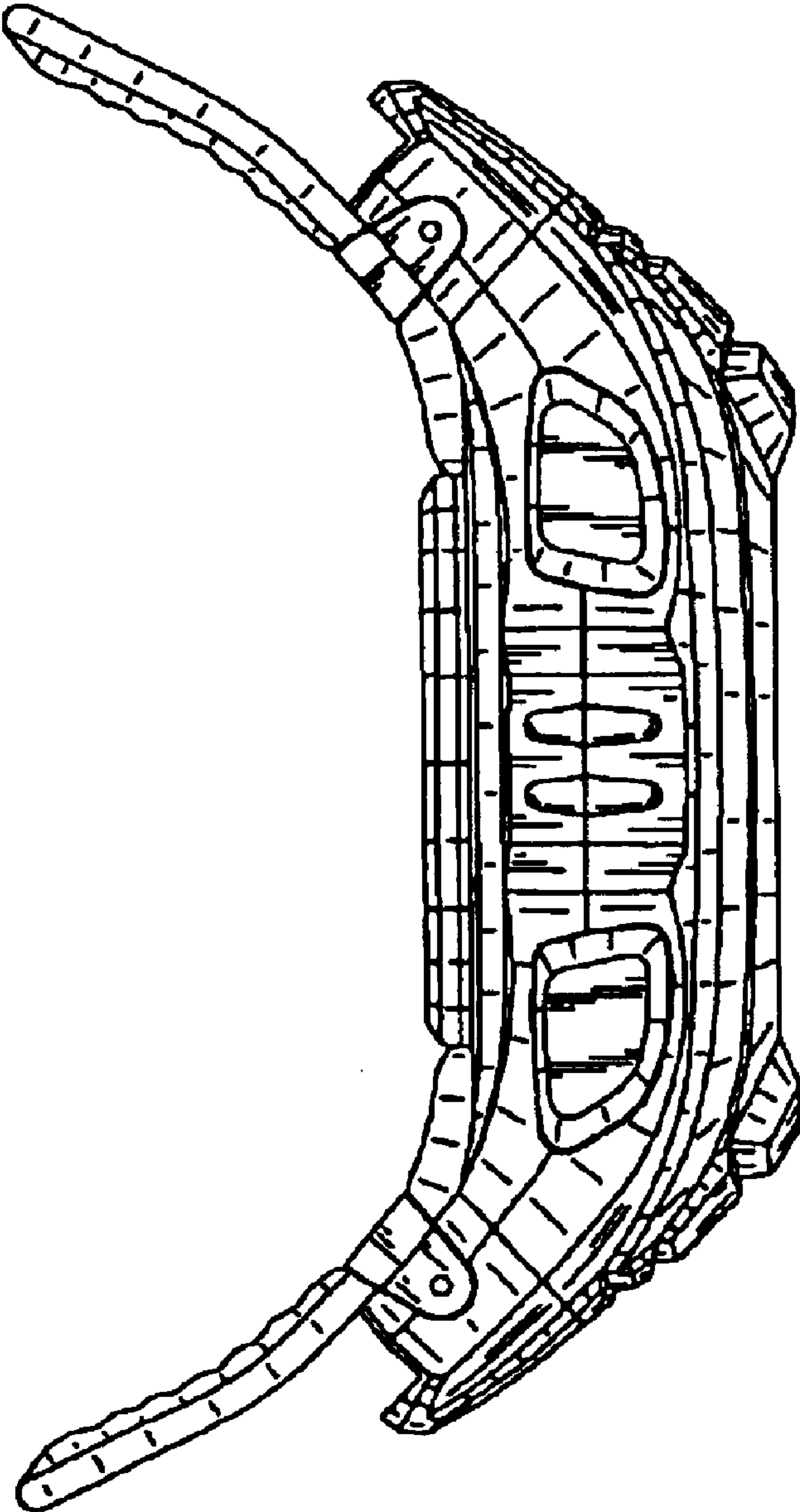
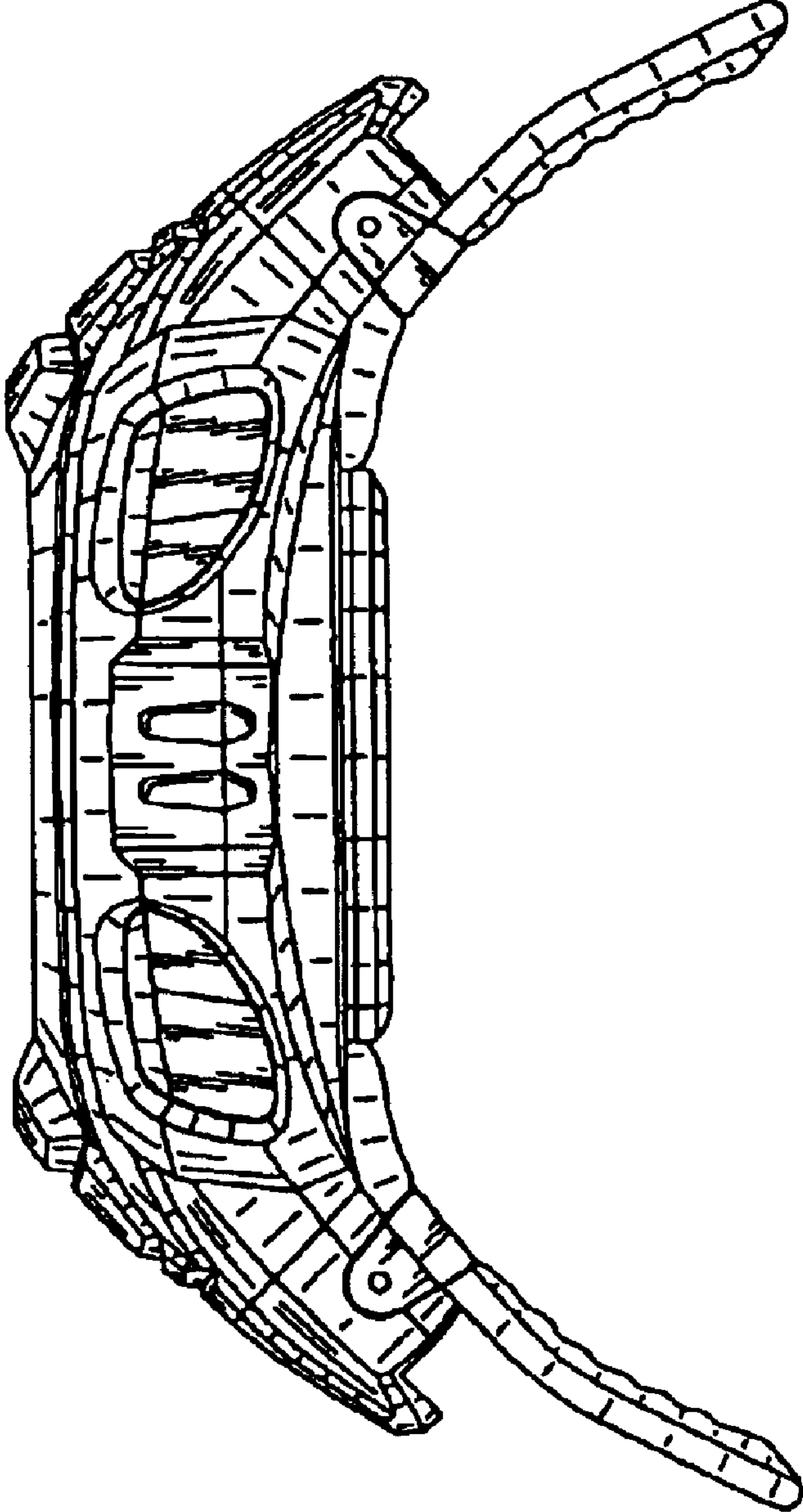


FIG. 3



**FIG. 4**





**FIG. 5**

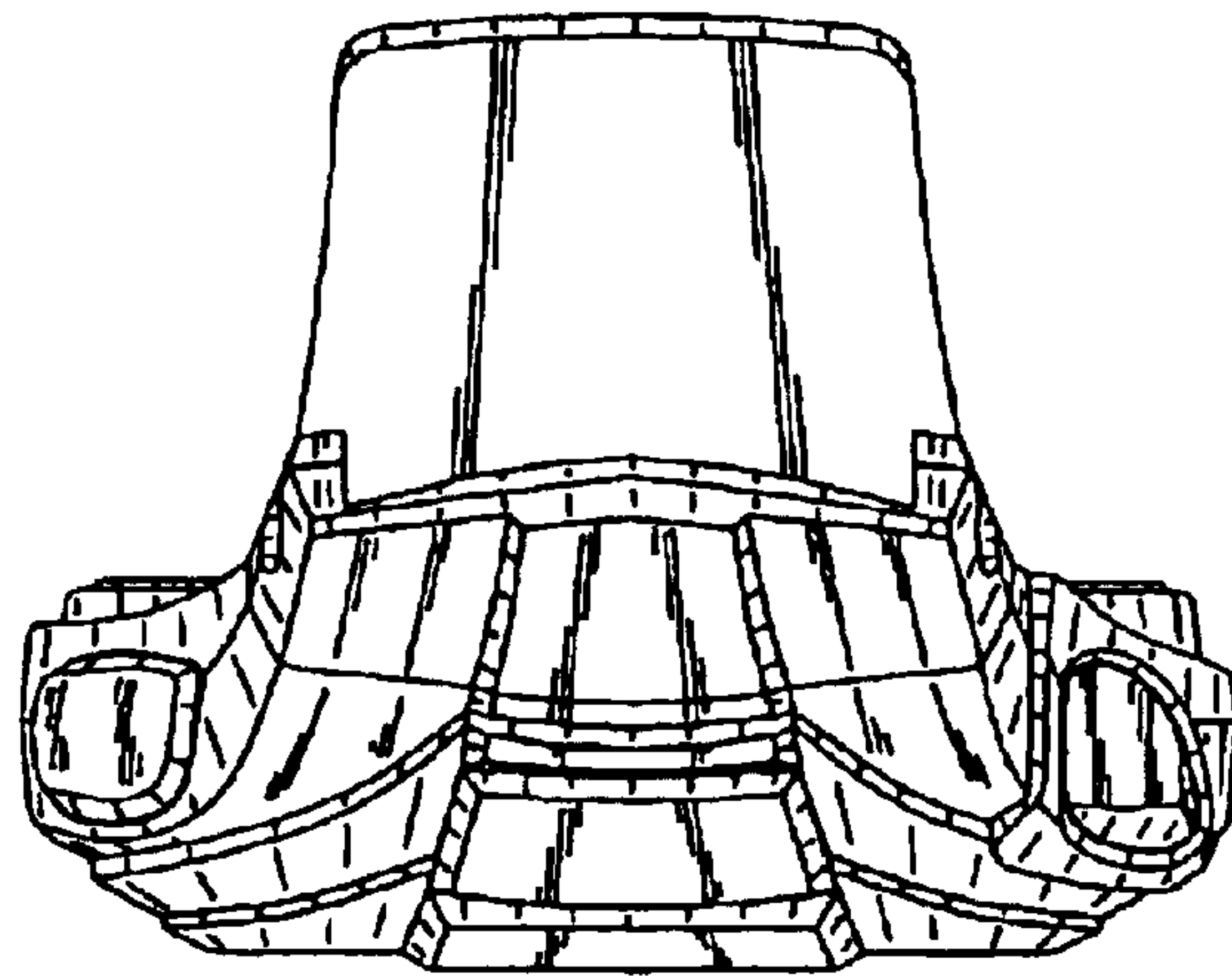


FIG. 6

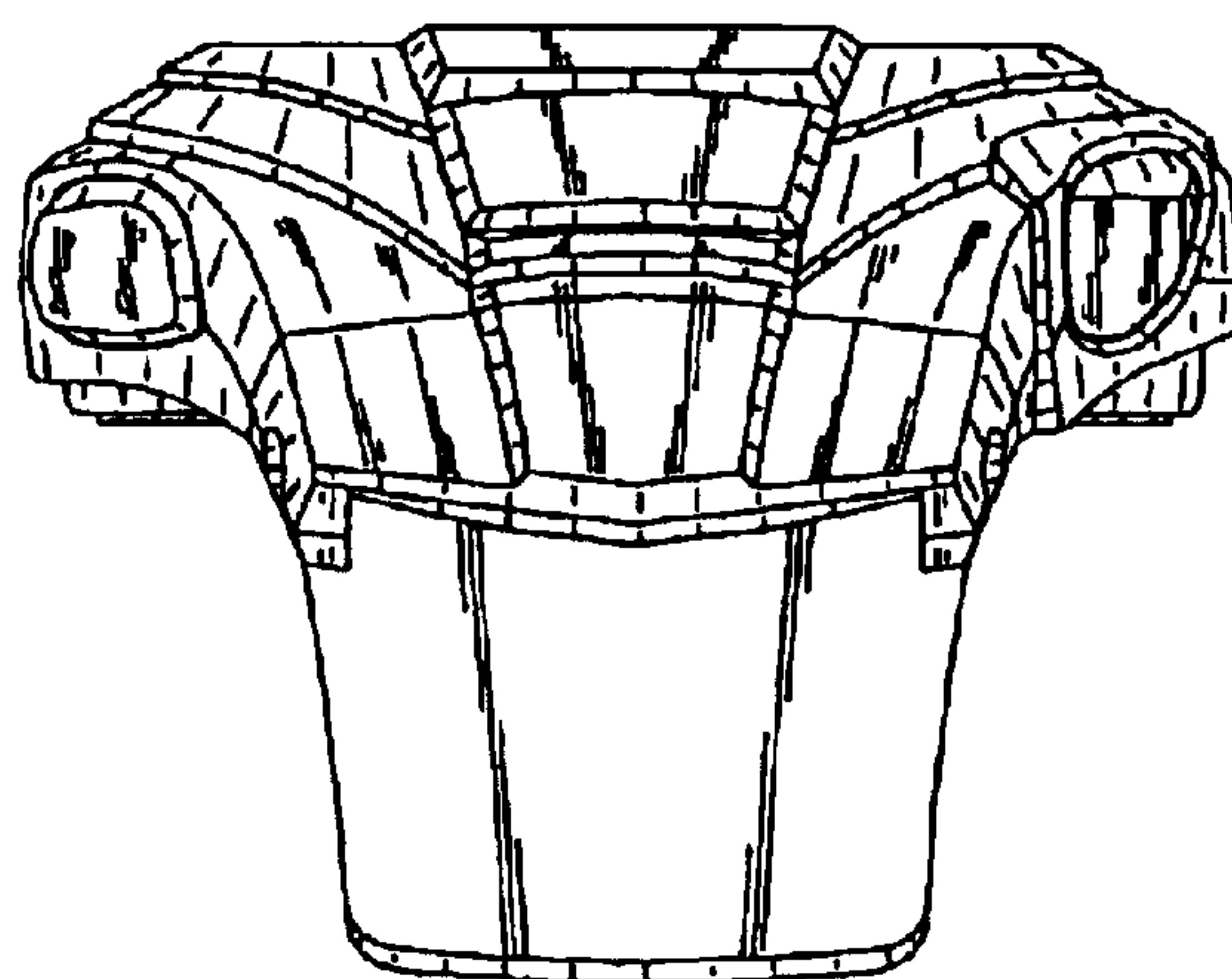


FIG. 7