

US00D496862S1

(12) **United States Design Patent**  
**Dragon et al.**

(10) **Patent No.: US D496,862 S**  
(45) **Date of Patent: \*\* Oct. 5, 2004**

(54) **CONTAINER WITH RIBBED SIDES**

(75) Inventors: **Sebastien Dragon, Paris (FR); Adrien Haas, Paris (FR)**

(73) Assignee: **L'Oreal USA Creative, Inc., New York, NY (US)**

(\*\*) Term: **14 Years**

(21) Appl. No.: **29/181,423**

(22) Filed: **May 9, 2003**

(51) **LOC (7) Cl. .... 09-01**

(52) **U.S. Cl. .... D9/522; D9/570; D9/574**

(58) **Field of Search .... D9/300, 337-338, D9/500, 502-503, 516, 522, 529-530, 536-539, 541, 544-546, 549, 551, 556-558, 564, 569-570, 574-575; D24/197; 215/381-384, 396, 398, 400; 222/210, 212-213**

(56) **References Cited**

**U.S. PATENT DOCUMENTS**

D257,580 S	*	12/1980	Hayes	.....	D9/536
D258,564 S	*	3/1981	Hayes	.....	D9/536
D334,399 S	*	3/1993	Ziegler	.....	D9/338 X
D345,299 S	*	3/1994	Schmitt	.....	D9/300
D353,763 S	*	12/1994	Sarreshtedary	.....	D9/500 X
D392,189 S	*	3/1998	Nash et al.	.....	D9/557 X
D392,190 S	*	3/1998	Nash et al.	.....	D9/539 X
D392,191 S	*	3/1998	Nash et al.	.....	D9/557 X
D397,615 S	*	9/1998	Nash et al.	.....	D9/557 X

D399,754 S		10/1998	Bertolini et al.	
5,868,288 A	*	2/1999	Redmond et al.	..... 222/212 X
D417,624 S	*	12/1999	Herrmann et al.	..... D9/522 X
D434,670 S	*	12/2000	Bernard	..... D9/545
D440,499 S	*	4/2001	Bernard	..... D9/516
D443,202 S		6/2001	Boussiquet et al.	
D445,328 S		7/2001	Boussiquet et al.	
D449,001 S		10/2001	Boussiquet et al.	

\* cited by examiner

*Primary Examiner*—Carol Rademaker

(74) *Attorney, Agent, or Firm*—Baker Botts L.L.P.

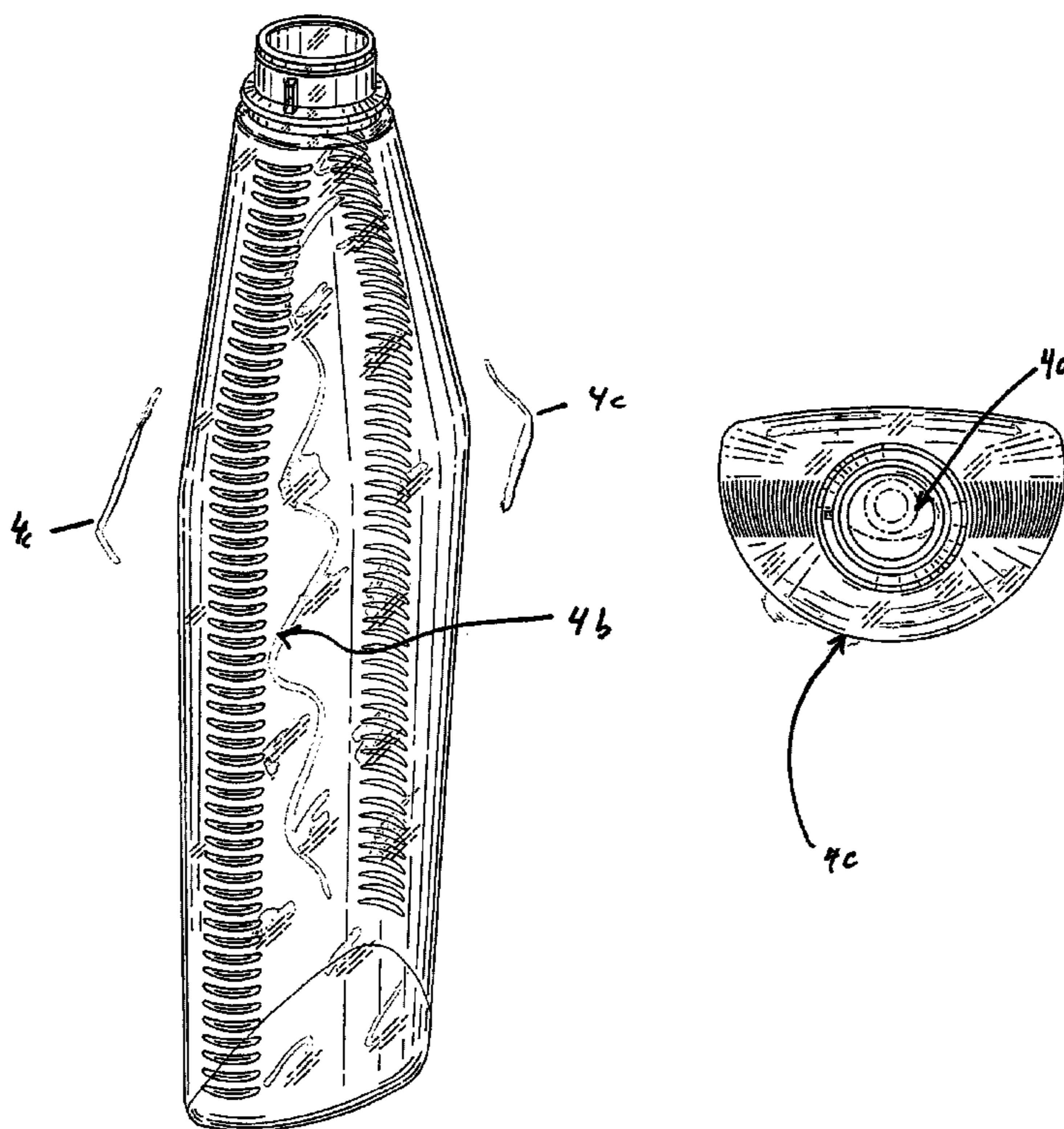
(57) **CLAIM**

The ornamental design for a container with ribbed sides, as shown and described.

**DESCRIPTION**

FIG. 1 is a three-dimensional perspective view of the container of the present invention;  
 FIG. 2 is a front view of the container of the present invention;  
 FIG. 3 is a side view of the container of the present invention;  
 FIG. 4 is a back view of the container of the present invention;  
 FIG. 5 is a top view of the container of the present invention;  
 and,  
 FIG. 6 is a bottom view of the container of the present invention.

**1 Claim, 3 Drawing Sheets**



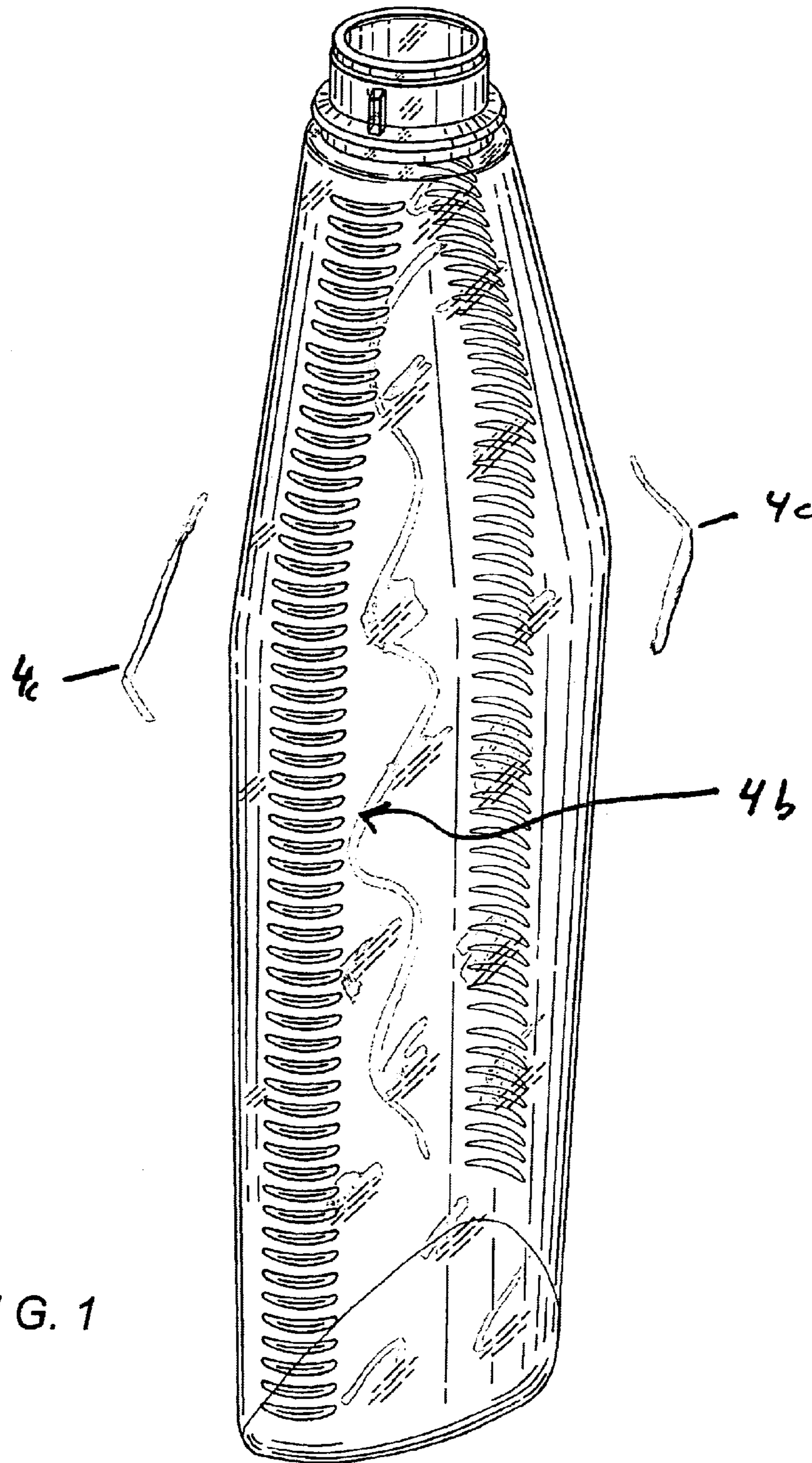


FIG. 1

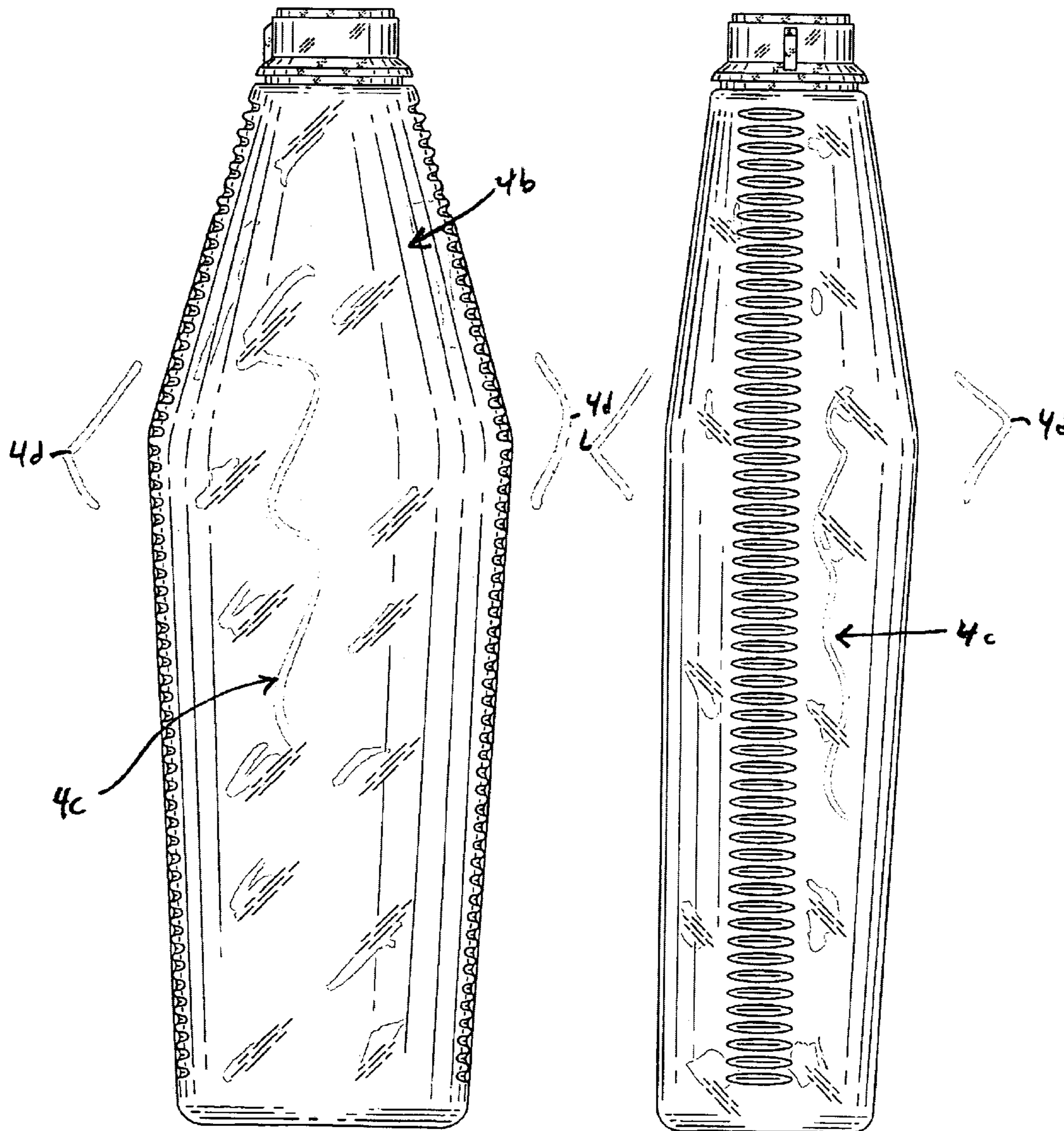
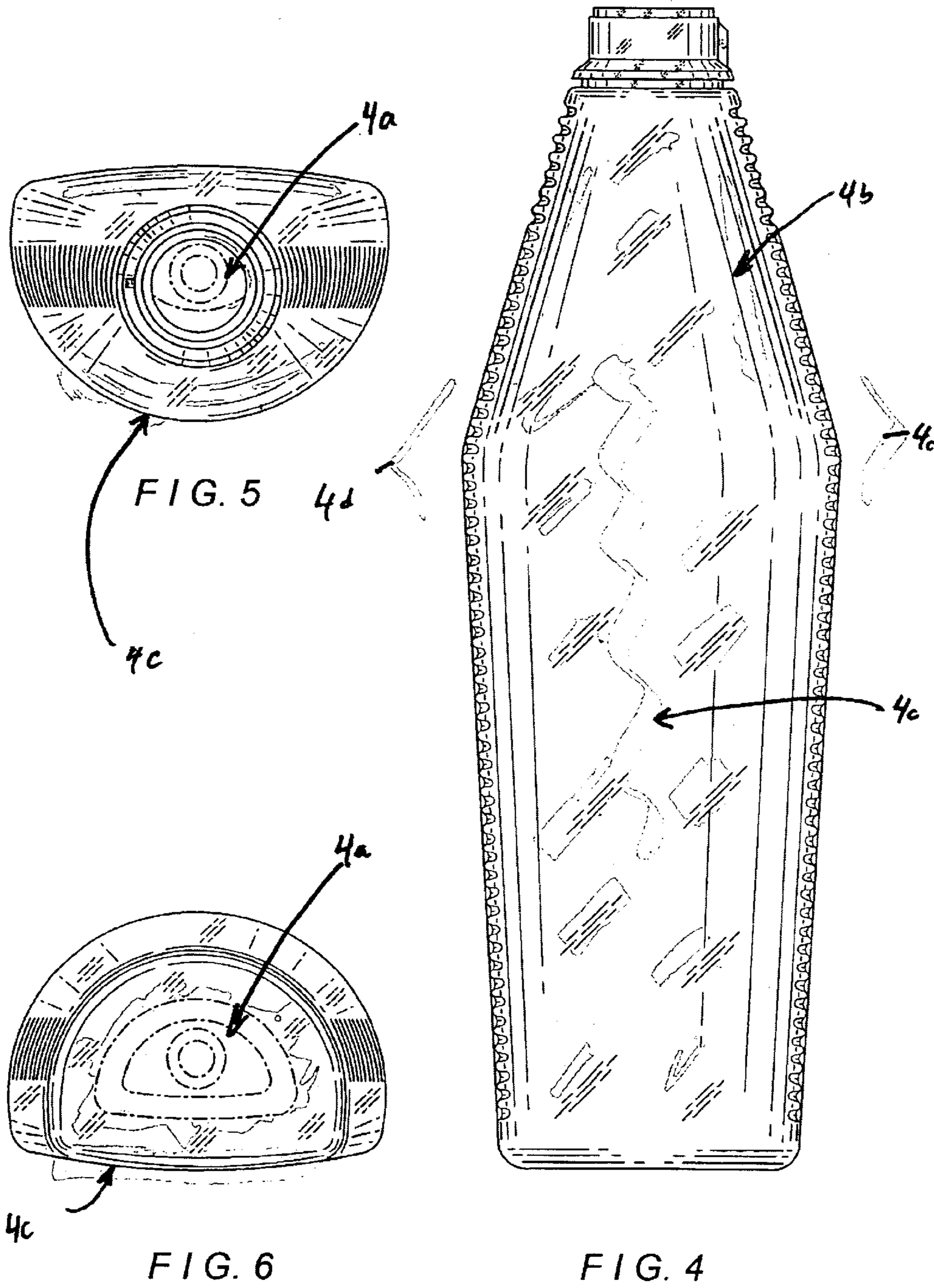


FIG. 2

FIG. 3



UNITED STATES PATENT AND TRADEMARK OFFICE  
**CERTIFICATE OF CORRECTION**

PATENT NO. : Des. 496,862 S  
APPLICATION NO. : 29/181423  
DATED : October 5, 2004  
INVENTOR(S) : Dragon et al.

Page 1 of 1

It is certified that error appears in the above-identified patent and that said Letters Patent is hereby corrected as shown below:

On Title Page,  
**NOTICE**

A terminal disclaimer should read:

-- (\*) Notice: This patent is subject to a terminal disclaimer. --

**IN THE CLAIMS**

The preceding language in the claim should read:

--The broken line showing is for illustrative purposes only and forms no part of the claimed design.--

Signed and Sealed this

Thirtieth Day of January, 2007

A handwritten signature in black ink on a light gray dotted background. The signature reads "Jon W. Dudas" in a cursive, stylized script.

JON W. DUDAS

*Director of the United States Patent and Trademark Office*