

US00D496856S1

(12) **United States Design Patent**
Cotert et al.

(10) **Patent No.:** **US D496,856 S**
(45) **Date of Patent:** **** Oct. 5, 2004**

(54) **HYGENIC ABSORBENT ARTICLE PACKAGE**

(75) Inventors: **Filiz Cotert**, Frankfurt am Main (DE);
Lutz Stelzig, Frankfurt am Main (DE)

(73) Assignee: **The Procter & Gamble Company**,
Cincinnati, OH (US)

(**) Term: **14 Years**

(21) Appl. No.: **29/193,640**

(22) Filed: **Nov. 12, 2003**

(30) **Foreign Application Priority Data**

May 14, 2003 (GB) 3012742

(51) **LOC (7) Cl.** **09-01**

(52) **U.S. Cl.** **D9/339; D9/415; D9/432**

(58) **Field of Search** D9/339, 414, 415,
D9/420, 432, 422, 423, 499; 206/204, 233,
438, 440, 449, 494, 527, 821; 220/507,
215.5, 810, 836, 890; 221/69, 134, 154,
303

(56) **References Cited**

U.S. PATENT DOCUMENTS

2,290,971 A * 7/1942 King 229/120.011
4,456,122 A * 6/1984 Kalal 206/732

4,488,647 A * 12/1984 Davis 206/525
D312,208 S * 11/1990 Sorkin D9/337
5,934,470 A * 8/1999 Bauer et al. 206/494
D422,495 S * 4/2000 Steenhoek et al. D9/346
6,229,061 B1 * 5/2001 Dragoo et al. 604/358
6,422,454 B1 * 7/2002 Barr et al. 229/117.14
2002/0148749 A1 * 10/2002 Briseboi et al. 206/440

* cited by examiner

Primary Examiner—Prabhakar Deshmukh
Assistant Examiner—Daniel Bui

(74) *Attorney, Agent, or Firm*—Mathew P. Fitzpatrick; Ian
S. Robinson; Edward J. Milbrada

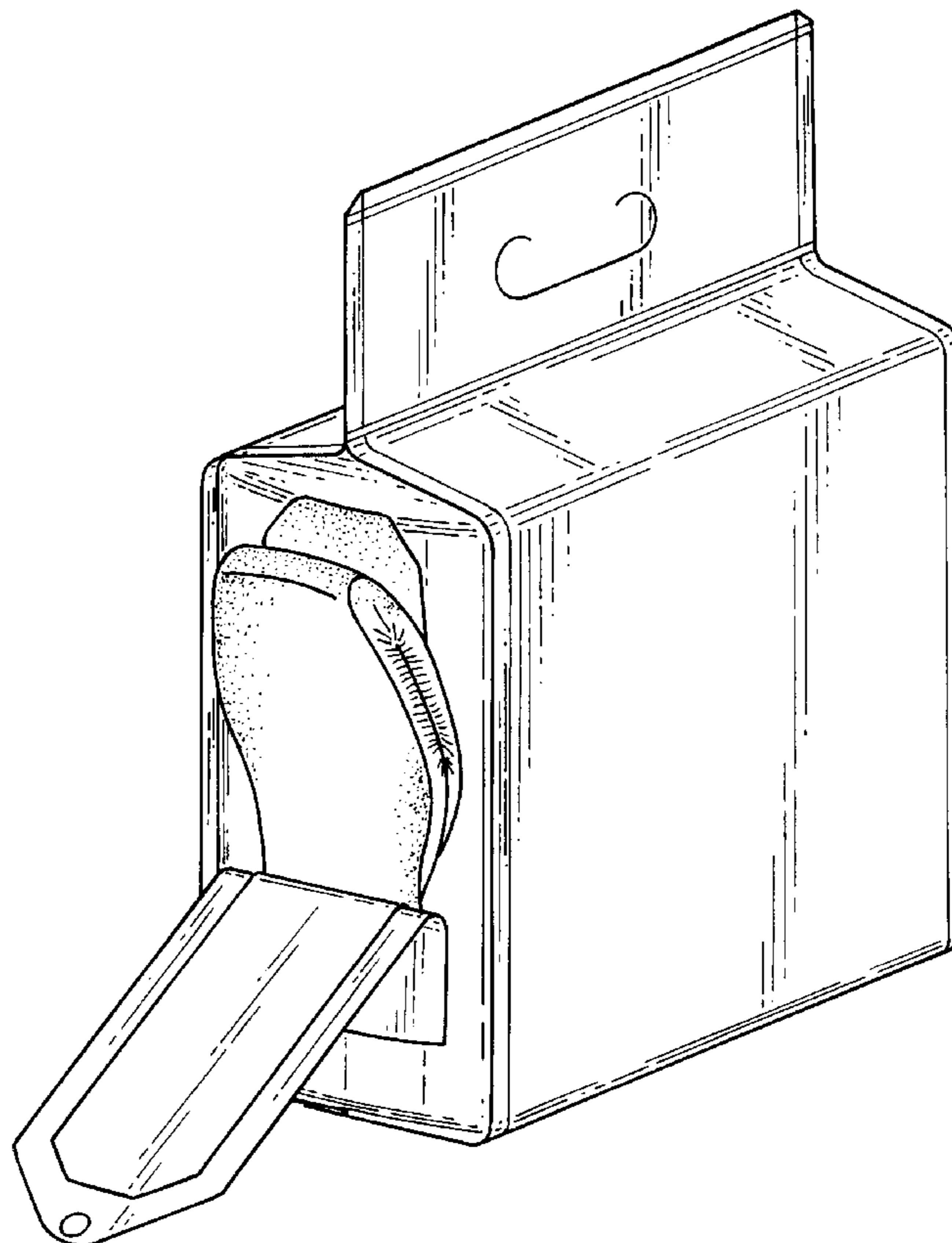
(57) **CLAIM**

The ornamental design for a hygenic absorbent article
package, as shown and described.

DESCRIPTION

FIG. 1 is a perspective view of a hygenic absorbent article
package, showing our new design;
FIG. 2 is a front elevation view thereof;
FIG. 3 is a top plan view thereof;
FIG. 4 is a left side elevation view thereof;
FIG. 5 is a right side elevation view thereof;
FIG. 6 is a bottom plan view thereof; and,
FIG. 7 is a perspective view thereof, in an open condition.

1 Claim, 4 Drawing Sheets



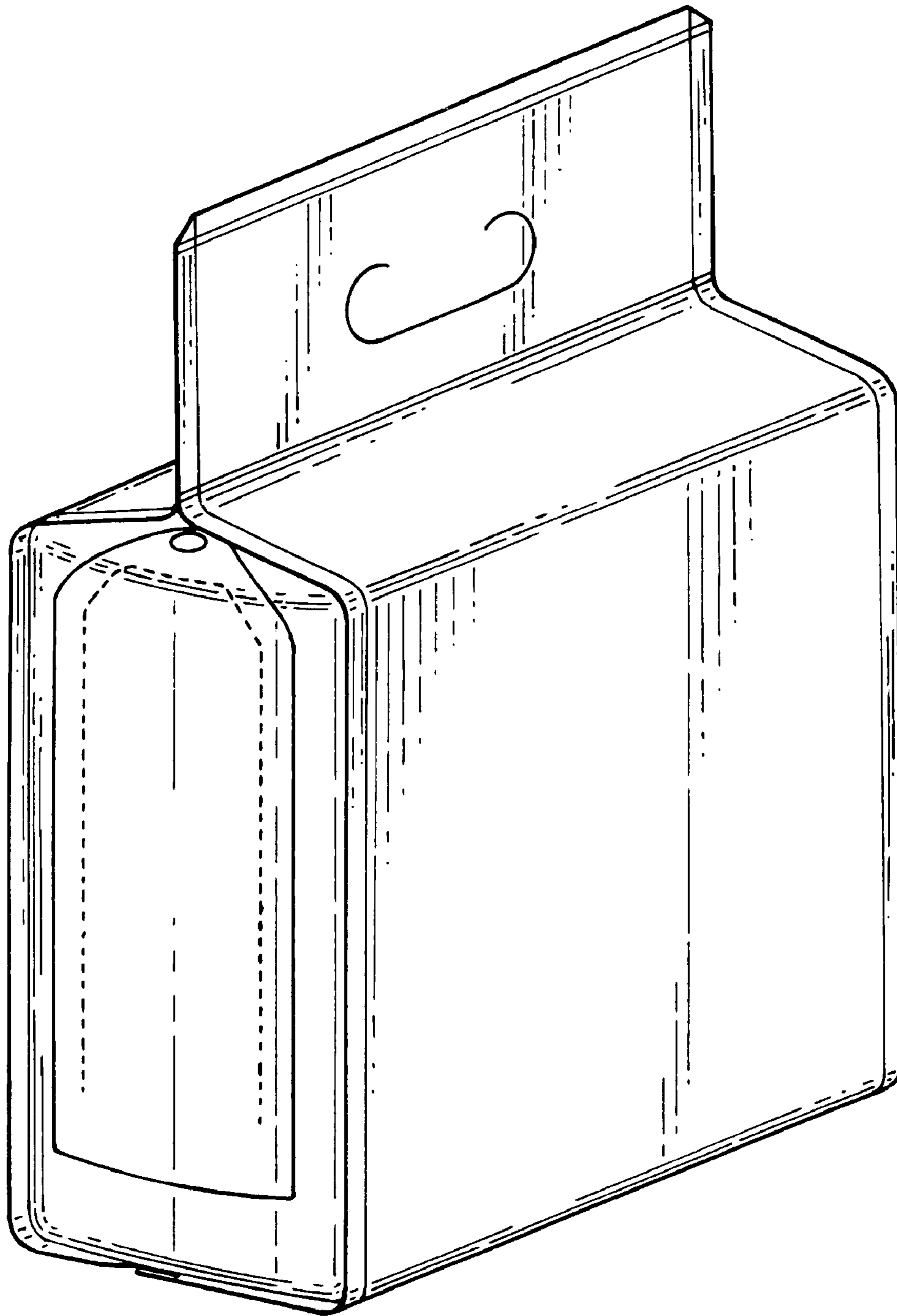


Fig. 1.

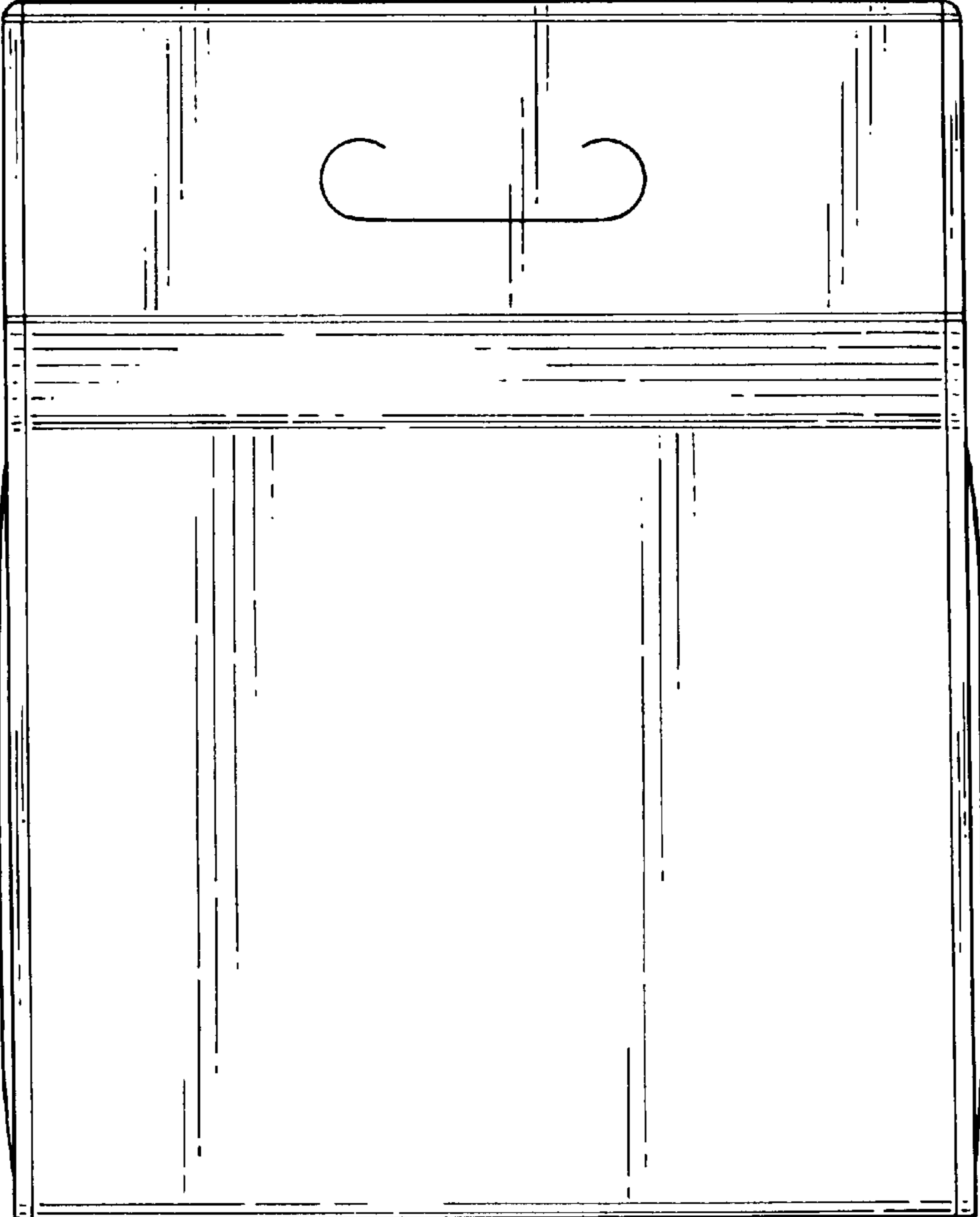


Fig.2.

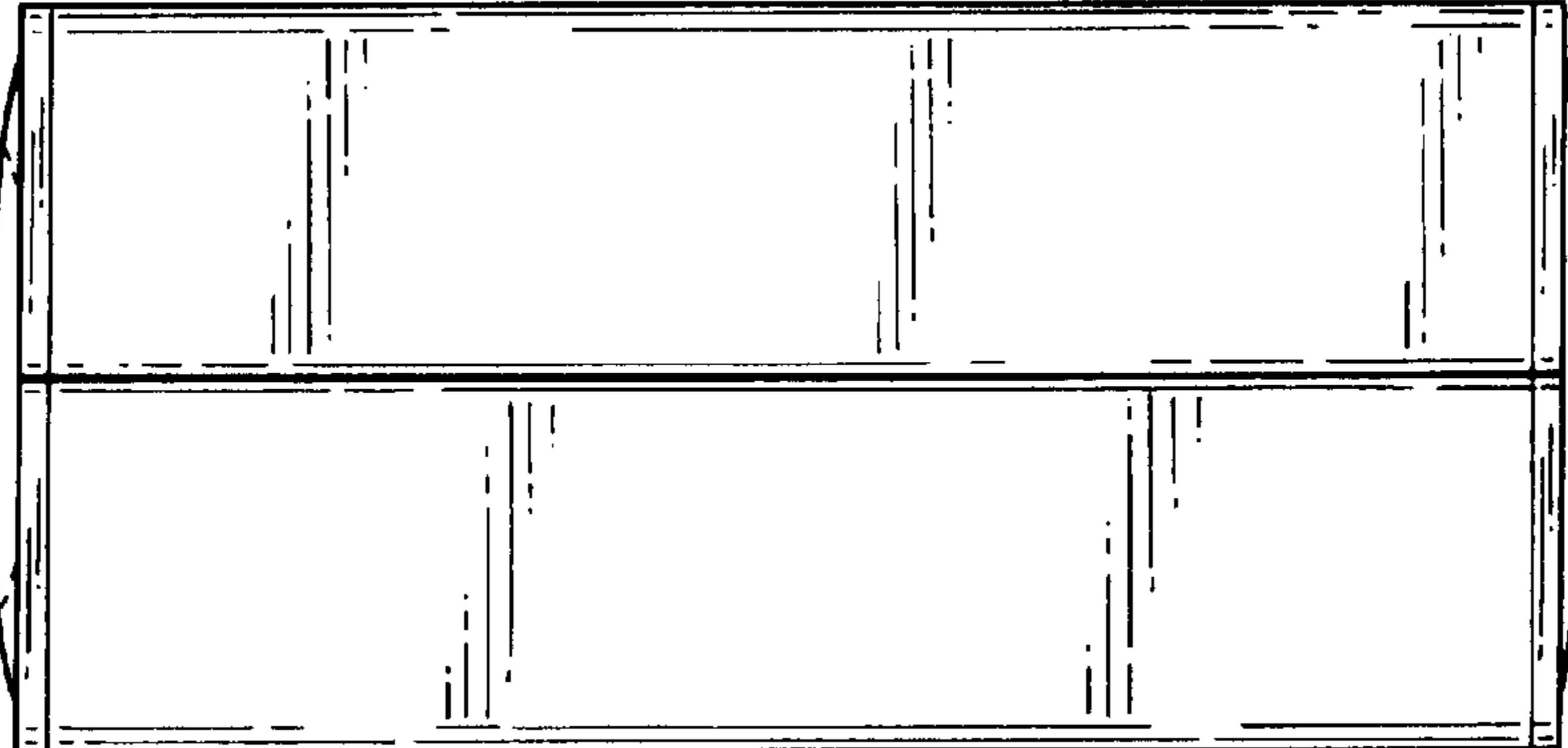


Fig.3.

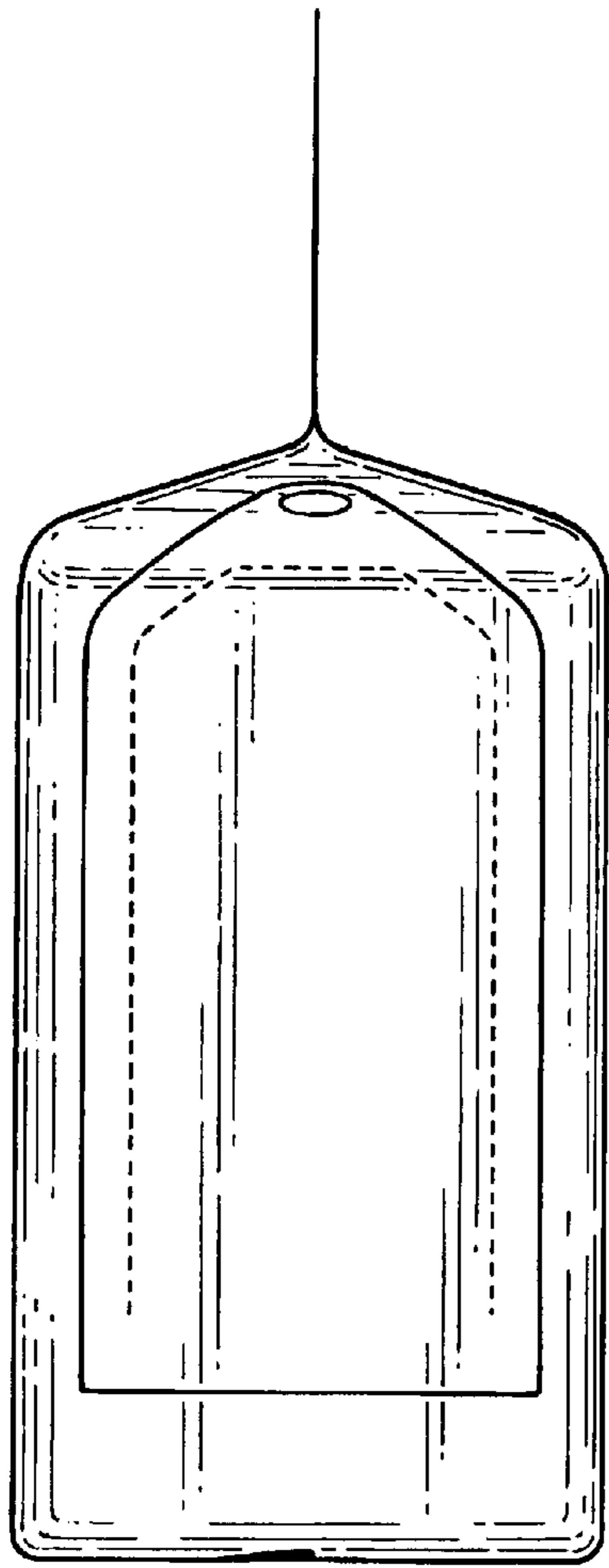


Fig.4.

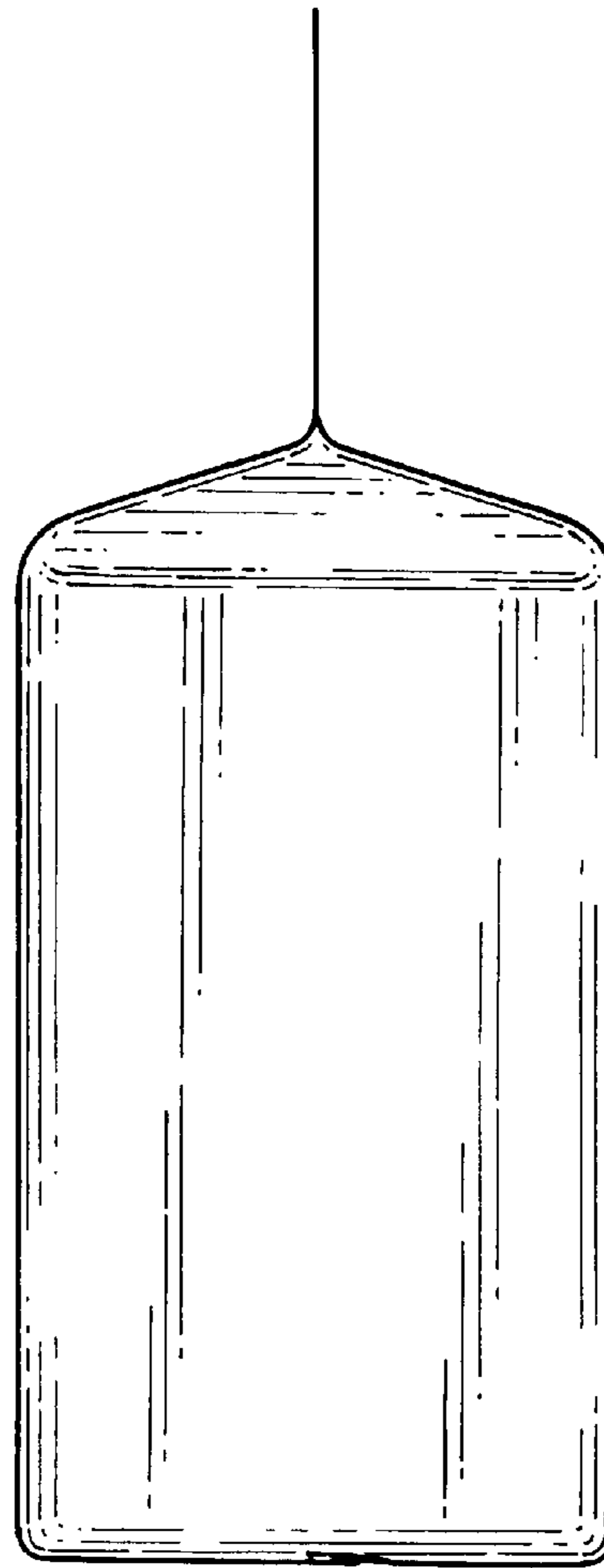


Fig.5.

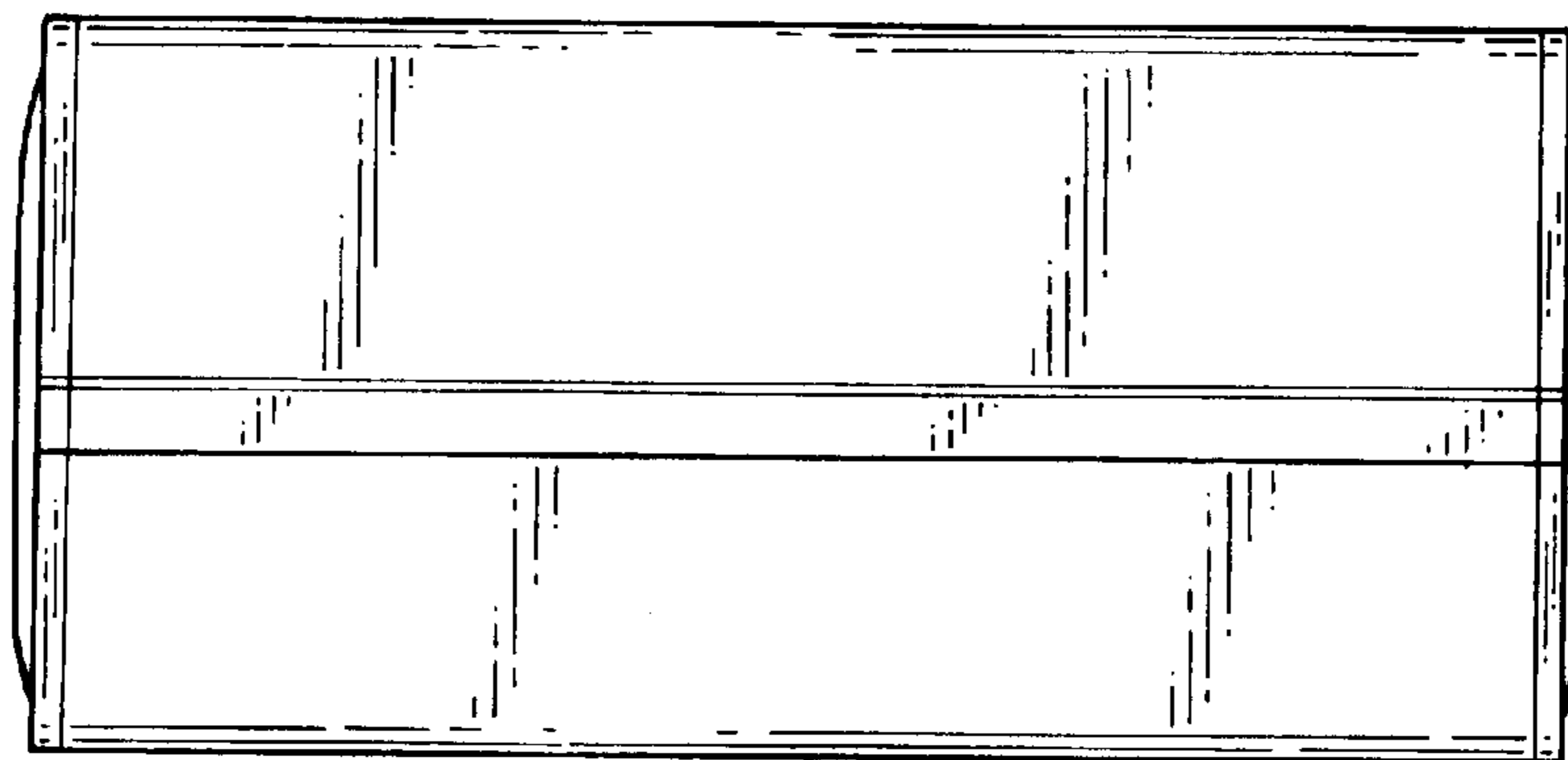


Fig.6.

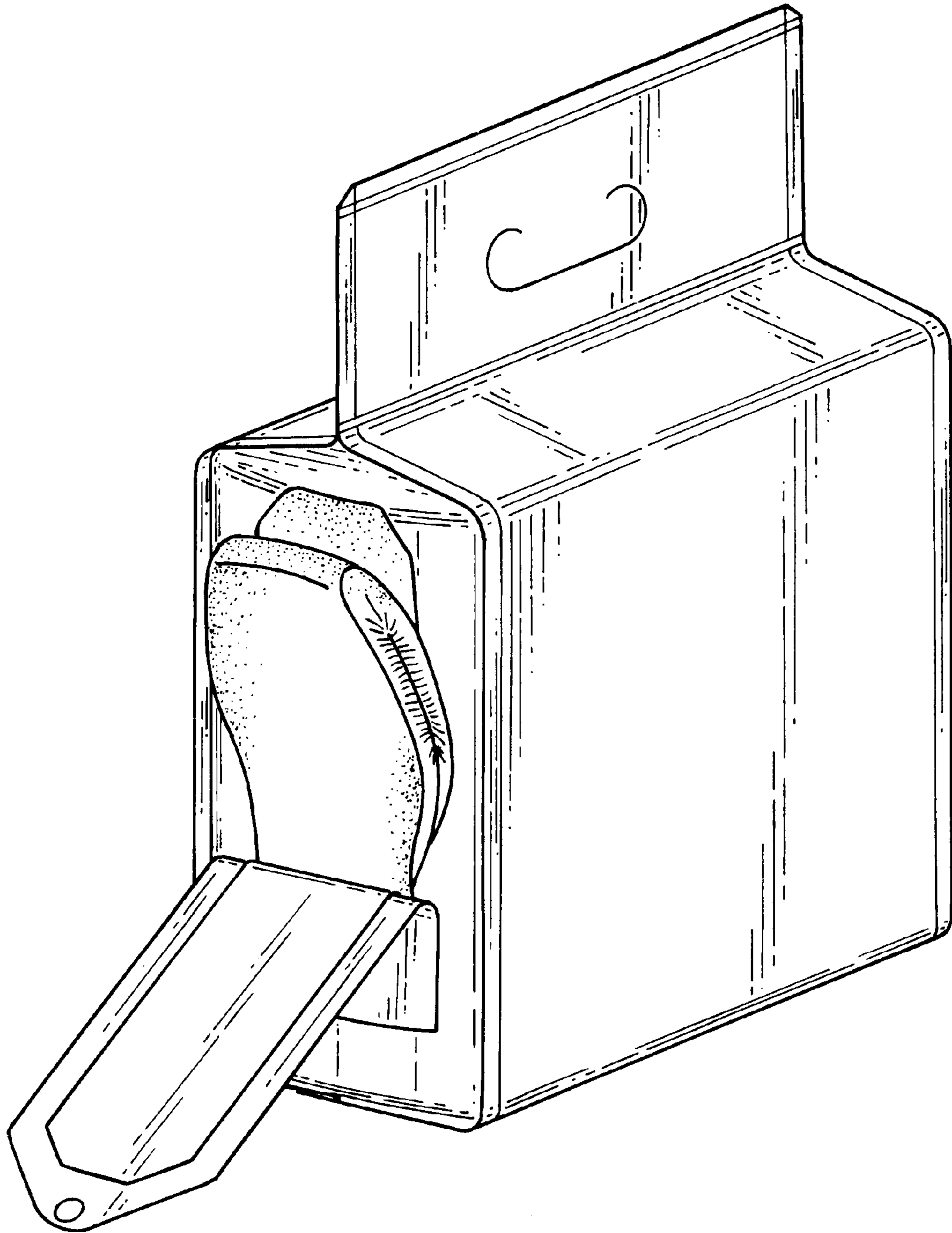


Fig.7.